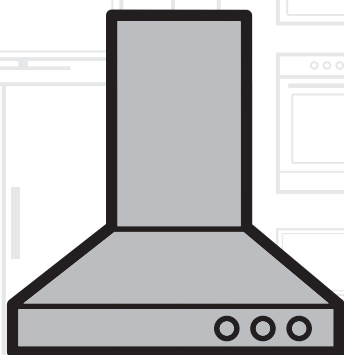


Hood

User Manual



BHCA 64640 B

BHCA 64640 BH

BHCA 94640 BH

BHCA 94640 WH

EN

KA

SQ

DE

NL

CZ

FR

PL

SL

ES

PT

BG

RO

BS

SK

beko

Please read this guide first!





Dear Customer,

Thank you for choosing a BEKO product. We would like you to achieve the optimal efficiency from this high quality product which has been manufactured with state of the art technology. Please make sure you read and understand this guide and supplementary documentation fully before use and keep it as a reference. Include this guide with the unit if you hand it over to someone else. Observe all warnings and information herein and follow the instructions.

Keep in mind that this user guide may apply to several product models. The guide clearly indicates any variations of different models.

Symbols and their meanings

These symbols are used throughout this guide:

	Important information and recommendations regarding the use of the appliance.
	CAUTION: Warnings on personal injury or property damage.
	Electric shock warning,
	Risk of fire warning.



This product has been manufactured at modern facilities respectful to the environment without harming nature.

Complies with WEEE Regulations.



No PCB Included.

CONTENTS

ENGLISH	04-16
DEUTSCH	17-33
FRANÇAIS	34-49
ESPAÑOL	50-66
БЪЛГАРСКИ	67-86
BOSANSKI	87-100
KARTVELI	101-121
NEDERLANDS	122-136
POLSKI	137-153
PORTUGUÊS	154-169
ROMÂNĂ	170-185
SLOVENSKÝ	186-199
SHQIPTARE	200-214
ČESKY	215-228
SLOVENŠČINA	229-244

01M-8897233200-4120-10
01M-8897243200-4120-10
01M-8897253200-4120-10
01M-8897263200-4120-10

1 Important Safety and Environmental Instructions

1.1 General Safety

Important Safety Instructions Read Carefully And Keep For Future Reference This section contains safety instructions that will help protect from risk of fire, electric shock, exposure to leak microwave energy, personal injury or property damage. Failure to follow these instructions shall void any warranty.

- Beko products comply with the applicable safety standards; therefore, in case of any damage on the appliance or power cable, it should be repaired or replaced by the dealer, service center or a specialist and authorized service alike to avoid any danger. Faulty or unqualified repair work may be dangerous and cause risk to the user.
- This appliance is intended to be used in household and similar applications such as:
 - Staff kitchen areas in shops, offices and other working environments;
 - Farm houses
 - By clients in hotels, and other residential type environments;
 - Bed and Breakfast type environments.
- Operate the appliance for its intended purpose only as described in this manual.
- The manufacturer cannot be held liable for damages resulting from improper installation or misuse of the product.
- This appliance can be used by children aged from 8 years and above and persons

with reduced physical, sensory or mental capabilities or lack of experience and knowledge if they have been given supervision or instruction concerning use of the appliance in a safe way and understand the hazards involved.

- Children shall not be allowed play with the appliance. Cleaning and user maintenance shall not be made by children without supervision.
- The minimum distance between the supporting surface for the cooking vessels on the hob and the lowest part of your product must be at least 65 cm.
- If the instructions for installation for the gas hob specify a greater distance, this has to be taken into account.
- Make sure that your mains power supply complies with the information supplied on the rating plate of the appliance.
- Never use the appliance if the power cable or the appliance itself is damaged.
- Prevent damage to the power cable by not squeezing, bending, or rubbing it on sharp edges. Keep the power cable away from hot surfaces and naked flame.
- Use the appliance with a grounded outlet only.

WARNING: Do not connect the appliance to the mains until the installation is fully complete.

- Place the appliance in a way so that the

1 Important Safety and Environmental Instructions

plug is always accessible.

- Do not touch the lamps if they have operated for a long time. They can burn your hands since they will be hot.
- Follow the regulations set out by competent authorities on discharge of the exhaust air (this warning is not applicable for use without chimney).
- Operate your appliance after putting a pot, pan etc. on the hob. Otherwise, high heat may cause deformation in some parts of your product.
- Turn off the hob before taking the pot, pan etc. from it.
- Do not leave hot oil on the hob. Pans with hot oil may cause self combustion.
- Pay attention to your curtains and covers since oil may catch fire while cooking food such as fries.
- Grease filter must be replaced at least monthly. Carbon filter must be replaced at least every 3 months.
- Product shall be cleaned accordance with user manual. If cleaning was not carried out in accordance with user manual, there may be fire risk.
- Do not use non-fire-resistant filtering materials instead of the current filter.
- Only use the original parts or parts recommended by the manufacturer.
- Do not operate the product without the filter and do not remove the filters while the product is running.
- In the event of be started any flame, de-energize your product and cooking appliances.
- In the event of be started any flame, cover the flame and never use water to extinguish.
- Unplug the appliance before each cleaning and when the appliance is not in use.
- The negative pressure in the environment should not exceed 4 Pa (4 x 10 bar) while the hood for electric hob and appliances running on another type of energy but electricity operate simultaneously.
- In the environment where the appliance is being used, the exhaust of devices running on fuel oil or gas, such as room heater must be absolutely isolated or device must be hermetical type.
- When connecting the chimney, use pipes with a diameter of 120 or 150 mm. Pipe connection must be as short as possible and have as few elbows as possible.

Danger of choking! Keep all the packaging materials away from children.

CAUTION: Accessible parts may become hot when used with cooking appliances.

- The product outlet must not be connected to air channels that include other smoke.
- The ventilation in the room may be insufficient when the hood for electric hob is used simultaneously with the devices op-

1 Important Safety and Environmental Instructions

erating on gas or other fuels (this may not apply to appliances that only discharge the air back into the room).

- Objects placed on the product may fall. Do not place any objects on the product.
- Do not flambe under the your product.

WARNING: Before installing the Hood, remove the protective films.

- Never leave high naked flames under the hood when it is in operation
- Deep fat fryers must be continuously monitored during use: overheated oil can burst into flames.

1.2 Compliance with the WEEE Directive and Disposing of the Waste Product:

This product complies with EU WEEE Directive (2012/19/EU). This product bears a classification

symbol for waste electrical and electronic equipment (WEEE).



This symbol indicates that this product shall not be disposed with other household wastes at the end of its service life. Used device must be returned to official collection point for recycling of electrical and electronic devices. To find these collection systems please contact to your local authorities or retailer where the product was purchased. Each household performs important role

in recovering and recycling of old appliance. Appropriate disposal of used appliance helps

prevent potential negative consequences for the environment and human health.

1.3 Compliance with RoHS Directive

The product you have purchased complies with EU RoHS Directive (2011/65/EU). It does not contain

harmful and prohibited materials specified in the Directive.

1.4 Package Information



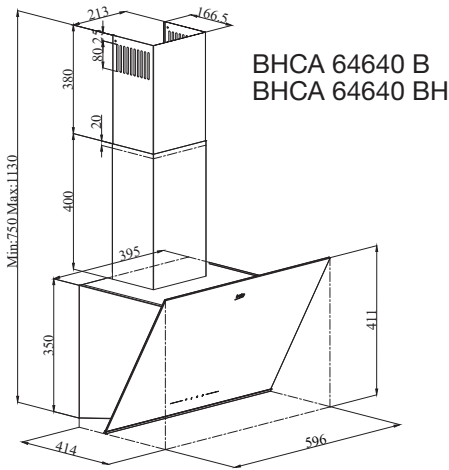
Packaging materials of the product are manufactured from recyclable materials in accordance with our

National

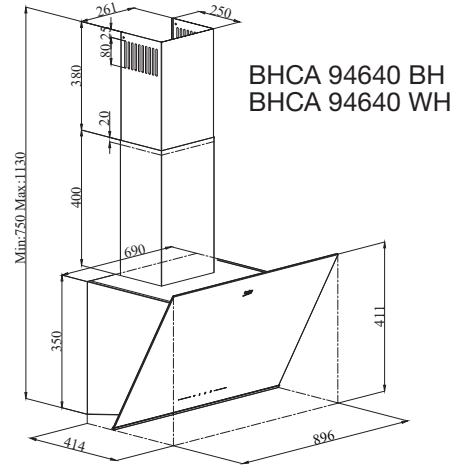
Environment Regulations. Do not dispose of the packaging materials together with the domestic or other wastes. Take them to the packaging material collection points designated by the local authorities.

2 General Appearance

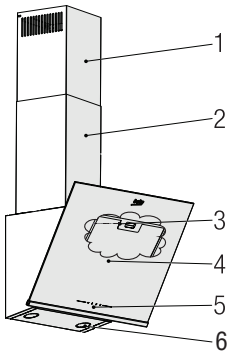
2.1 Overview



(Figure 1).



(Figure 2)



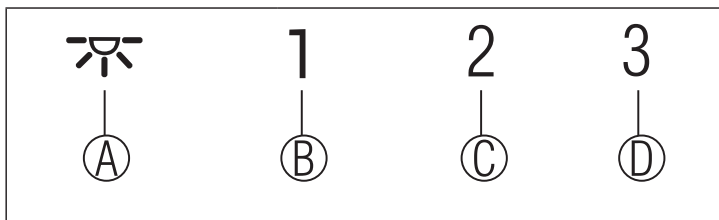
1. Inner Chimney
2. Outer Chimney
3. Aluminum Grease Filter (Behind Glass Cover)
4. Glass Cover
5. Control Panel
6. Lighting

2.2 Technical Data

Model	BHCA 64640 B BHCA 64640 BH	BHCA 94640 BH BHCA 94640 WH
Supply voltage	220-240V ~ 50 Hz	
Lamp Power	2 x 3 W	
Motor Power	210 W	
Flow rate (m ³ /h) – 3. Level	631 m ³ /h	623 m ³ /h
Insulation Class of Motor	Class F	
Insulation Class	Class I	

3 Operation of the Appliance

3.1 Controlling the Appliance



KEY	FUNCTION
(A) : Light On / Off	You may illuminate the cooking area by pressing this button. Re-press the button to turn off the lamp.
(B) : 1. Stage Button	Operates the appliance on 1st speed. When you press this button again to turn off the appliance, the screen speed stage turns off.
(C) : 2. Stage Button	Operates the appliance on 2nd speed. When you press this button again to turn off the appliance, the screen speed stage turns off.
(D) : 3rd Stage Button	Operates the appliance on 3rd speed. When you press this button again to turn off the appliance, the screen speed stage turns off.

3.2 Energy Efficient Usage

When using your appliance, adjust the speed settings according to vapour and odour intensity, in order to save energy.

- Use low speeds (1-2) under normal conditions, and high speed (3) for intense odour and vapour.
- * The lamps on the hood are placed for illuminating the cooking area.

Using them for environmental lighting shall cause unnecessary energy expenditure and insufficient lighting.

3.3 Operating the Hood

- Your appliance contains a motor that has various speeds.
- For better performance, we recommend using low speeds under normal conditions and high speeds in cases of strong odours and intense vapour.
- You can start your appliance by pressing on

the desired speed setting button. (B, C, D)

- You may illuminate the cooking area by pressing the lamp (A).

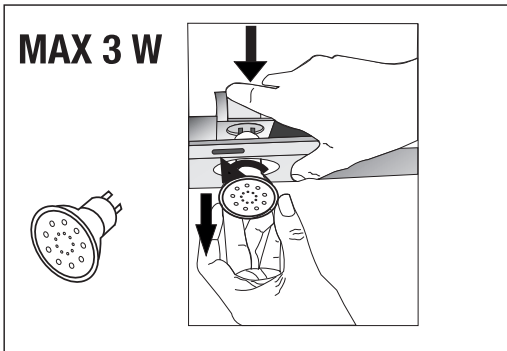
3.4 Automatic Stop

Your appliance has Automatic Stop feature, enabling it to ventilate for a bit more and remove the unwanted odours and vapour inside the environment and turn off automatically after the cooking is done. To enable Automatic Stop feature, press the any speed stage button (B, C, D) on the control panel for longer than 2 seconds; the 15-minute timer function shall be activated. When the automatic stop feature is active, pressing the same speed button shall disable the automatic stop function and the appliance's motor shall stop. This feature is disabled when you switch between different speed stages.

If you want the appliance to stop automatically, you need to enable the automatic stop feature again.


3 Operation of the Appliance

3.5 Replacement of Lamp

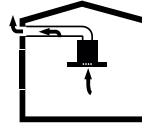


(Figure 3)

Make the electrical connections of the appliance. Your appliance uses 3W spot LED lamp. For replacing the lamps, push downwards on the holder from its behind, turn it counter-clockwise, and take it out downwards. Apply the above operation in reverse to install new lamps (Figure 3).

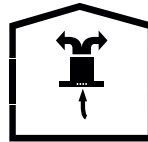
Bulb	
Bulb Power (W)	3
Holder / Socket	GZ 10
Bulb Voltage (V)	220 - 240
Size (mm)	53 x 50
ILCOS Code	DR/F3-220-240- GZ10-50-53

3.6 Operation with Chimney Connection



- Vapour is extracted through the flue duct, which is fastened to the connection head on the hood.
- The diameter of the flue duct must be the same as the connection ring. In horizontal settings, the pipe has to have a slight upward slope (around 10°) so that the air can exit the room easily.

3.7 Operation without Chimney Connection



- Air is filtered through the carbon filter and recirculated in the room. Carbon filter is used when it is impossible to use a flue in the house.
- In flue less use, remove the flaps inside the flue adapter.
- Remove the aluminium grease filter. To install the carbon filter, fit the filter to the tabs by centring it on the plastic piece on both sides of the fan body. Tighten it by turning right or left.
- Replace aluminium grease filter.

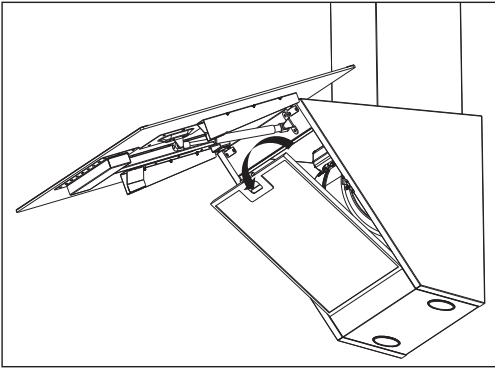
4 Cleaning and Maintenance



Before cleaning and maintenance, unplug the product or turn off the switch.

4.1 Cleaning of the Aluminium Grease Filter

This filter retains the oil particles in the air. Aluminum grease filter may change colour as they are washed; this is normal and does not require replacing your aluminium grease filter.



(Figure 4)

- Push the aluminium grease filter lock forward.
- Then pull it slightly down and pull it out (Figure 4). Otherwise, you can bend the filter. Wash and rinse aluminium grease filter with liquid detergent and replace aluminium grease filter to their sockets by carrying out the steps specified above in reverse order. This filter retains the oil particles in the air.



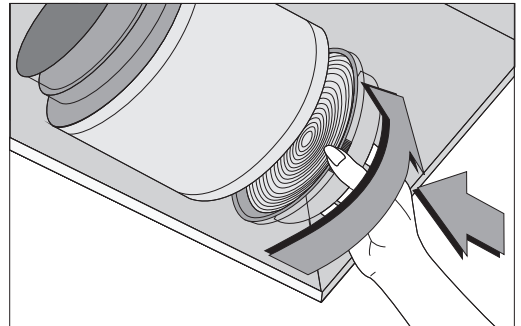
You may wash your aluminium grease filter in the dishwasher.



CAUTION
In case of normal use, clean your filter once in a month.

4.2 Replacement of Carbon Filters

Odour removing filters contain charcoal (Active carbon). Aluminum grease filter must be installed in the product, regardless of whether or not carbon filters are used.



(Fig. 5)

- Remove the aluminium grease filter (Figure 4)
- To remove the carbon filter, remove the carbon filter from its housing by rotating it counter-clockwise from the tab (Figure 5).
- Install the new carbon filter.
- Install the aluminium grease filter.



CAUTION

Carbon filter shall never be washed.



CAUTION

Replace carbon filters once every 3 months.



CAUTION

You can obtain the carbon filter from the authorized services.

5 Setting Up the Device



WARNING!

Before starting the installation, read the safety information on User Manual.



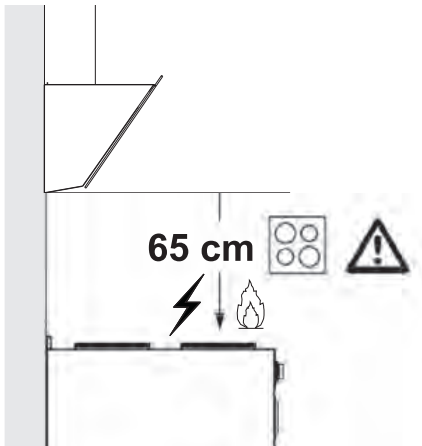
WARNING!

Failure to install with screws and stabilizers in accordance with these instructions may result in electric shock.

For the installation of the hood, please contact the nearest Authorized Service.

It is the customer's responsibility to prepare the location and electrical installation of the hood.

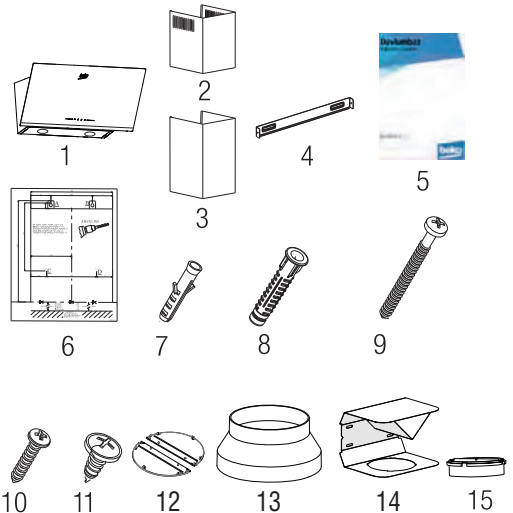
5.1 Position of the Appliance



(Figure 6)

- Distance between the cooker and the cooker hood must be considered prior to assembly. This distance should be 65 cm (Figure 6).
- Distance must be measured from the surface of grate for gas cookers,
- from surface of glass for electric cookers.

5.2 Installation Accessories



1. Product
2. Inner Chimney
3. Outer Chimney
4. Chimney Connection Plate
5. User Manual
6. Assembly Pattern
7. 2x Ø6mm Plastic Dowel
8. 4x Ø8mm Plastic Dowel
9. 4x 4.8x50 Wall Mount Screw
10. 2x 3.9x22 Chimney Connection Plate Screw
11. 4x 3.5x9.5 Chimney Connection Screw
12. Chimney Clamp
13. 150/120mm Plastic Chimney Adapter
14. Air Baffle
15. Plastic Adapter (Air Diverter)

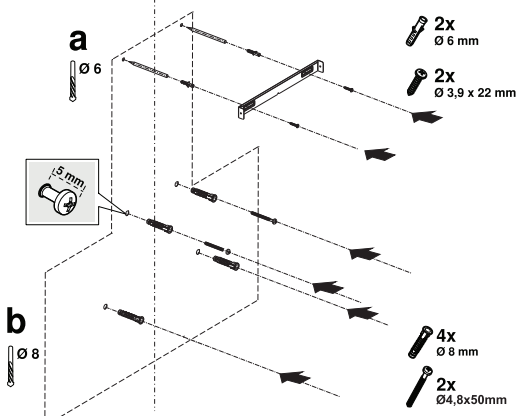
The information required to make the location suitable for the installation of the hood is given below.

5.3 Wall Mounting

- Wall must be flat, straight and have the sufficient bearing capacity.

5 Setting Up the Device

- Depth of drilling holes must comply with the length of bolts.
- The bolts and dowels provided are suitable for brick walls. For other construction material (e.g. drywall, plate, porous concrete), suitable fixing dowels and nuts shall be used.



(Figure 7)

CAUTION

Before drilling, ensure that there are no power, gas or water pipes in the close proximity of the drilling locations.

Draw a mid location line from the ceiling perpendicular to the lower edge of the hood ().

Paste the installing template provided within the accessories on the surface where the hood is to be mounted. In doing this operation, observe the mounting height of the hood (Page 12 / Figure 6).

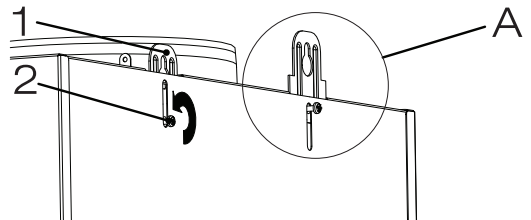
There is a tab in the middle of the Chimney connection plate. Place the middle point of this tab on the line that is drawn perpendicular to the wall. In doing this operation, adjust the hood according to the

maximum height (Page 8 / Figure 1). Mark the holes where the Chimney connection plate will be mounted with the help of a pen (Figure 7/a).

Drill the marked points with Ø6mm drill and insert 2 plastic dowels in the drilled holes (Figure 7/a). Fix the Chimney connection plate to the wall with 3,9x22 screws (Figure 7/a).

To assemble the hood body, you can use the Ø8mm drill bit to drill points A, B, C, D on the assembly template, and insert 4.8x50mm plastic dowels at these points. (Figure 7/b).

2 piece 4.8x50 suspension screw with a clearance of 5 mm between the screw head and the wall (Figure 7/b).



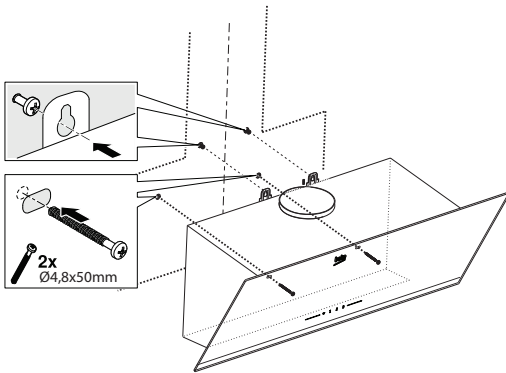
(Figure 8)

1. Hanger Plate
2. Hanging Plate Connection Screw

In order to install your hood to the wall, loosen the screws on the hanger plates mounted on the motor cabin and pull them up, and then fasten again (Figure 8 / A).

Turn on the suction glass of the hood and remove the Aluminum aluminium grease filter (Page 11 / Figure 4).

5 Setting Up the Device

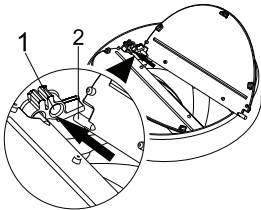


(Figure 9)

Hold the cooker hood by its body and place it on the mounting screws on the wall and tighten the screws (Figure 9).

Secure the cooker hood with two 4.8x50 screws to the wall through the mounting hole on the interior of the appliance (Figure 9).

5.4 Connecting to Chimney



(Figure 10)

1- Flap Pin Socket

2- Flap Pin

Insert the plastic pin (Figure 10 / area no. 2) on the pin socket on the motor exhaust (Figure 10 / area no.1). Then bend the flap lightly to insert the other pin on the flap and insert the other pin to its socket (Figure 10).

If you are going to use the \varnothing 120/150 mm plastic Chimney adapter, connect one end of the pipe to this adapter, if you are not going to use it, to the direct output on the product. Connect the other end of the pipe to your chimney. Check that these two connections

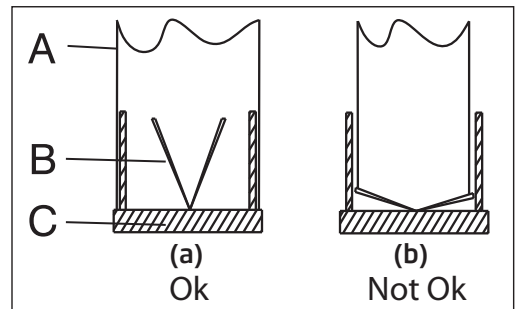
are tight enough so they will not come out when the appliance runs on full power. Ensure that the flaps inside the Chimney work when tightened with clamp. Connect the Chimney connection duct outside the adapter (Figure 11/a). If the connection duct is fitted inside the adapter, suction of air shall not occur as the Chimney flap that prevents the return of air will remain closed (Figure 11 / b). The length of the pipe connection as well as the number of elbows must be as minimum as possible.

A : Chimney exit pipe

B : Chimney Clamps

C: Plastic Chimney

The valves are closed then the appliance is not operating and prevent possible outside odour and dust from entering inside.



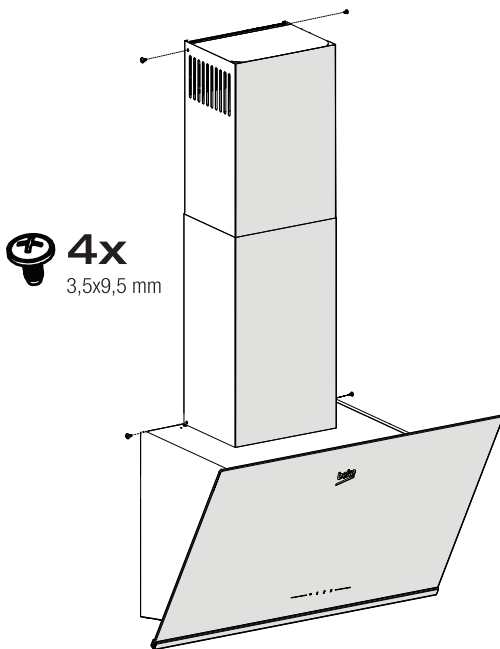
(Figure 11)

5 Setting Up the Device

5.5 Installation of the Hood to the Chimney

Make the electrical connection of your hood before starting the installation of the chimney. Slip the Chimney plates around the body. Screw the Chimney to the Chimney fastening plates available on the motor cabin. (Figure 12).

Install the Chimney to the Chimney fastening plate that is secured to the wall from its upper outer edges (Figure 12).

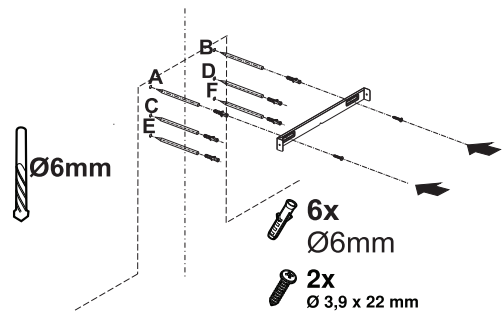


(Fig. 12)

5.6 Installation of Air Baffle

(BHCA 64640 BH - BHCA 94640 BH - BHCA 94640 WH)

While using with the carbon filter, air baffle is provided with your appliance with the aim of re-releasing the air which is cleaned with carbon filter from the perforated located on the chimney. Assemble the air baffle as below.



(Fig. 13)

There is a tab in the middle of the chimney connection plate. Place the middle point of this tab on the line that is drawn perpendicular to the wall. Align horizontally and mark the holes where the connection plate will be mounted via a pen (Figure 13 / A, B).

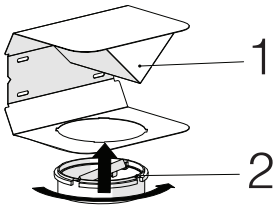
Drill the marked points with $\text{Ø}6\text{mm}$ drill and insert two $\text{Ø}6\text{mm}$ plastic dowels in the drilled holes (Figure 13 / A, B).

Fix the Chimney connection plate to the wall with 3.9x22 screws (Figure 13/ A, B).

For the assembly air baffle, drill points C, D, E, F with a $\text{Ø}6\text{mm}$ drill bit and tap the $\text{Ø}6\text{mm}$ plastic dowels (Figure 13).

Assemble cooker hood's body (Page 14 / Figure 9).

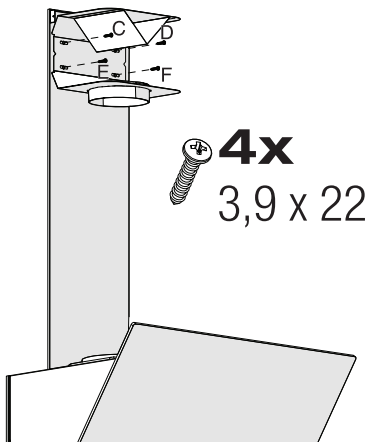
5 Setting Up the Device



(Figure 14)

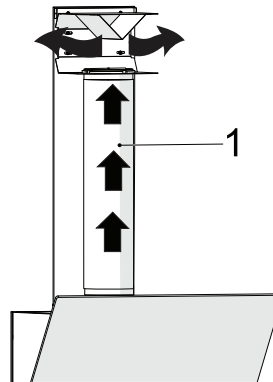
- 1- Air Baffle
- 2- Plastic Chimney

Attach the plastic Chimney adapter, which is included in the package, in the direction of the air baffle. Lock the Chimney adapter by turning it in the direction of the arrow (Figure 14).



(Fig. 15)

Assemble the air baffle group with 3.9 x 22 screws from point C, D, E, F that you have already prepared (Figure 15).



(Fig. 16)

- 1- Aluminium Air Outlet Pipe
- Make the air outlet pipe assembly (Figure 16).



Since twists and bends in the aluminium pipe will lead to reduction in the air suction power, avoid using twists and bends as much as possible.

Install the Chimney plates of the hood (Page 14 / Figure 9)

6 Troubleshooting

Troubleshooting	Root Cause	Help
Appliance is not working.	Check your fuses.	Fuse may be blown, inspect and restore it.
Appliance is not working.	Check the electrical connection.	Mains voltage shall be between 220 and 240 V.
Appliance is not working.	Check the electrical connection.	Check if other appliance in your kitchen operate.
Illumination light does not operate.	Check the electrical connection.	Mains voltage shall be between 220 and 240 V.
Illumination light does not operate.	Inspect the lamp switch.	Lamp switch shall be at "on" position.
Illumination light does not operate.	Inspect the lamps.	The lamps of the appliance shall illuminate.
Air inlet of the appliance is inadequate.	Inspect the aluminium filter.	Under normal operating conditions, aluminium grease filter shall be cleaned at least once in a month.
Air inlet of the appliance is inadequate.	Check the air discharge chimney.	The air discharge chimney shall be at "on" position.
Air inlet of the appliance is inadequate.	Inspect the carbon filter.	The filters of the appliances with carbon filters shall be replaced once in every 3 months under normal conditions.

Bitte lesen Sie zuerst dieses Benutzerhandbuch!





Sehr geehrter Kunde,

Vielen Dank, dass Sie sich für ein BEKO-Produkt entschieden haben. Wir möchten, dass Sie mit diesem qualitativ hochwertigen Produkt, das nach dem neuesten Stand der Technik hergestellt wurde, die optimale Effizienz erreichen. Bitte stellen Sie sicher, dass Sie diesen Leitfaden und die ergänzende Dokumentation vor der Verwendung vollständig gelesen und verstanden haben, und bewahren Sie ihn als Referenz auf. Legen Sie diesen Leitfaden dem Gerät bei, wenn Sie es an eine andere Person weitergeben. Beachten Sie alle hierin enthaltenen Warnungen und Informationen und befolgen Sie die Anweisungen.

Denken Sie daran, dass dieses Benutzerhandbuch für mehrere Produktmodelle gelten kann. Der Leitfaden zeigt deutlich alle Variationen der verschiedenen Modelle auf.

Symbole und ihre Bedeutungen

Diese Symbole werden in diesem Leitfaden durchgängig verwendet:

	Wichtige Informationen und Empfehlungen zum Gebrauch des Geräts.
	VORSICHT: Warnhinweise zu Personen- oder Sachschäden.
	Warnung vor Stromschlag,
	Risiko einer Brandwarnung.



Dieses Produkt wurde in modernen Anlagen hergestellt, die die Umwelt respektieren, ohne die Natur zu schädigen.

Entspricht den WEEE-Bestimmungen.



Kein PCB inbegriffen.

1 Wichtige Sicherheits- und Umwelanweisungen

1.1 Allgemeine Sicherheit

Wichtige Sicherheitsanweisungen sorgfältig lesen und zum künftigen Nachschlagen aufbewahren

Dieser Abschnitt enthält Sicherheitsanweisungen, die beim Schutz vor Personen- und Sachschäden, Bränden, Stromschlägen und dem Austreten von Mikrowellenenergie helfen. Bei Nichtbeachtung dieser Anweisungen erlischt die Gewährleistung.

- Beko-Produkte stimmen mit geltenden Sicherheitsstandards überein; daher sollten Gerät oder Netzkabel zur Vermeidung von Gefahren im Falle von Schäden durch den Händler, ein Kundencenter oder einen spezialisierten, autorisierten Serviceanbieter repariert oder ersetzt werden. Fehlerhafte oder unqualifizierte Reparaturen können Gefahren und Risiken für den Benutzer verursachen.
- Dieses Gerät ist für den Einsatz in Haushalten und ähnlichen Bereichen vorgesehen, wie:
 - In Betriebsküchen, Läden, Büros und anderen Arbeitsumgebungen;
 - Bauernhöfen;
 - Von Gästen in Hotels und anderen Wohnumgebungen;
 - Pensionen und Jugendherbergen.
- Das Gerät darf nur für seinen in dieser Anleitung beschriebenen vorgesehenen Zweck verwendet werden.
- Der Hersteller haftet nicht für Schäden, die auf unsachgemäße Installation oder fehlerhaften Gebrauch zurückzuführen sind.
- Das Gerät darf nur dann von Kindern ab 8 Jahren und Personen mit körperlichen oder geistigen Einschränkungen genutzt werden, wenn diese beaufsichtigt werden oder gründlich über den richtigen und sicheren Umgang mit dem Gerät aufgeklärt wurden und sich sämtlicher möglicher Gefahren bewusst sind.
- Kinder dürfen nicht mit dem Gerät spielen. Reinigungs- und Wartungsarbeiten dürfen nicht unbeaufsichtigt von Kindern ausgeführt werden.
- Der Abstand zwischen der Stützfläche für Kochgeschirr auf dem Kochfeld und dem niedrigsten Teil der Abzugshaube muss mindestens 65 cm betragen.
- Falls die Anweisungen zur Installation eines Gasherdes einen größeren Abstand angeben, ist dieser einzuhalten.
- Stellen Sie sicher, dass Ihre Stromversorgung mit den Angaben am Typenschild des Gerätes übereinstimmt.
- Benutzen Sie das Gerät niemals, wenn das Netzkabel oder das Gerät selbst beschädigt ist.
- Vermeiden Sie Schäden am Netzkabel, indem Sie es nicht quetschen, knicken oder über scharfe Kanten ziehen. Halten Sie das Netzkabel von heißen Oberflächen

1 Wichtige Sicherheits- und Umwelanweisungen

und offener Flamme fern.

- Verwenden Sie das Gerät nur mit einer geeigneten Steckdose.

WARNUNG: Schließen Sie das Gerät erst nach vollständig abgeschlossener Installation an das Stromnetz an.

- Stellen Sie das Gerät so auf, dass der Netzstecker immer zugänglich ist.
- Berühren Sie die Lampen nicht, falls sie lange Zeit in Betrieb waren. Sie könnten sich die Finger verbrennen, da die Lampen heiß werden.
- Befolgen Sie die von zuständigen Behörden festgelegten Richtlinien zum Abführen von Abluft (diese Warnung ist bei Einsatz ohne Abzug nicht zutreffend).
- Nehmen Sie Ihr Gerät erst in Betrieb, nachdem Sie ein Kochgeschirr auf das Kochfeld gestellt haben. Andernfalls könnte hohe Hitze zur Verformung von Teilen Ihres Geräts führen.
- Schalten Sie die Kochfelder ab, bevor Sie das Kochgeschirr herunternehmen.
- Lassen Sie kein heißes Öl auf das Kochfeld gelangen. Kochgeschirr mit heißem Öl kann sich selbst entzünden.
- Achten Sie auf Vorhänge und Abdeckungen, da Öl beim Zubereiten von Lebensmitteln, wie Pommes frites, Feuer fangen kann.
- Der Fettfilter muss mindestens einmal im Monat ersetzt werden. Der Kohlefilter muss

mindestens alle 3 Monate ersetzt werden.

- Das Produkt muss entsprechend der Bedienungsanleitung gereinigt werden. Falls die Reinigung nicht entsprechend der Bedienungsanleitung durchgeführt wird, besteht Brandgefahr.
- Verwenden Sie kein nicht feuerbeständiges Filtermaterial anstelle des aktuellen Filters.
- Verwenden Sie nur Originalteile und vom Hersteller empfohlene Teile.
- Verwenden Sie das Gerät nicht ohne Filter. Entfernen Sie die Filter nicht, während das Gerät läuft.
- Sollte sich etwas entzünden, unterbrechen Sie als erstes sofort die Energieversorgung.
- Ersticken Sie ein Feuer mit einer geeigneten Decke oder ähnlich, verwenden Sie zum Löschen niemals Wasser.
- Trennen Sie das Gerät vor jeder Reinigung und bei Nichtbenutzung von der Stromversorgung.
- Der Unterdruck in der Umgebung darf 4 Pa (4 x 10 bar) nicht überschreiten, während die Dunstabzugshaube für das elektrische Kochfeld und Geräte mit einer anderen Energiequelle als Strom gleichzeitig laufen.
- Falls sich ein mit Heizöl oder Brenngasen betriebenes Gerät, z. B. Heizungen, in der Nähe der Dunstabzugshaube befindet, muss die Abluft dieses Gerätes vollständig getrennt abgeführt werden oder es muss hermetisch sein.

1 Wichtige Sicherheits- und Umwelanweisungen

- Verwenden Sie zum Anschluss des Abzugs Rohre mit einem Durchmesser von 120 oder 150 mm. Der Rohranschluss muss möglichst kurz sein und sollte möglichst wenige Biegungen aufweisen.

Verschluckungsgefahr! Halten Sie alle Verpackungsmaterialien von Kindern fern.

ACHTUNG: Zugängliche Teile können bei Verwendung mit Kochgeräten heiß werden.

- Der Auslass des Produktes darf nicht an Luftkanäle angeschlossen werden, die auch andere Abluft abführen.
- Die Belüftung im Raum reicht möglicherweise nicht aus, wenn die Abzugshaube für das elektrische Kochfeld gemeinsam mit Geräten, die mit Gas oder anderen Kraftstoffen laufen, betrieben wird (dies trifft möglicherweise nicht auf Geräte zu, die Luft zurück in den Raum abgeben).
- Auf dem Produkt platzierte Gegenstände könnten herunterfallen. Stellen Sie keine Gegenstände auf das Produkt.
- Flambieren Sie nicht unter dem Gerät.

WARNUNG: Entfernen Sie vor Installation der Dunstabzugshaube die Schutzfolien.

- Achten Sie darauf, dass niemals hohe offene Flammen unter der Dunstabzugshaube entstehen, wenn diese in Betrieb ist.
- Fritteusen müssen während der Benutzung kontinuierlich überwacht werden; überhitztes Öl kann Feuer fangen.

1.2 Konformität mit der WEEE-Richtlinie und Entsorgung von Altgeräten

Dieses Gerät erfüllt die europäische WEEE-Richtlinie (2012/19/EU). Dieses Produkt trägt ein Klassifizierungssymbol für elektrische und elektronische Altgeräte (WEEE).



Dieses Symbol weist darauf hin, dass dieses Gerät am Ende seiner Lebensdauer nicht zusammen mit anderen Haushaltsabfällen entsorgt werden darf. Altgeräte müssen an eine offizielle Sammelstelle zum Recycling von elektrischen und elektronischen Geräten übergeben werden. Nähere Angaben zu diesen Sammelstellen erhalten Sie von Ihrer Stadtverwaltung oder dem Händler, bei dem Sie das Gerät erworben haben. Jeder Haushalt spielt eine wichtige Rolle bei der Wiederverwertung und dem Recycling von Altgeräten.

Die sachgemäße Entsorgung von Altgeräten trägt dazu bei, mögliche negative Auswirkungen auf die Umwelt und die menschliche Gesundheit zu vermeiden.

1 Wichtige Sicherheits- und Umweltanweisungen

1.3 Konformität mit der RoHS-Richtlinie

Das von Ihnen erworbene Gerät erfüllt die europäische RoHS-Richtlinie (2011/65/EU). Es enthält keine in der Richtlinie angegebenen gefährlichen und verbotenen Materialien.

1.4 Hinweise zur Verpackung



Die Verpackungsmaterialien des Produktes sind aus

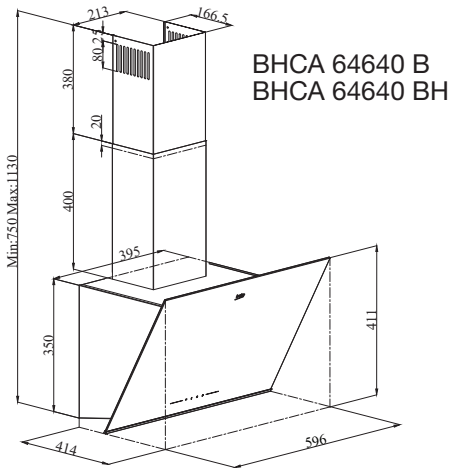
recyclingfähigen Materialien entsprechend unseren nationalen Umweltschutzbestimmungen

hergestellt. Entsorgen Sie die Verpackungsmaterialien nicht mit dem Hausmüll oder anderem Müll. Bringen Sie sie zu einer von der Stadtverwaltung bereitgestellten Sammelstelle für Verpackungsmaterial.

2

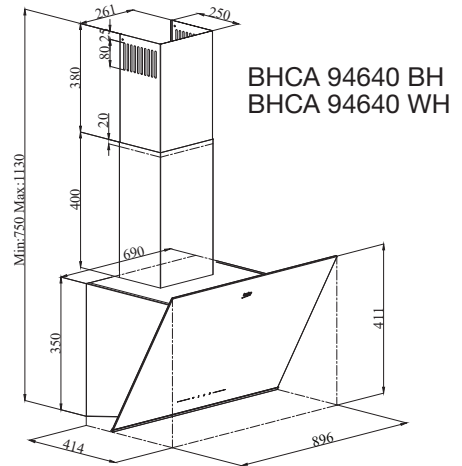
Allgemeines Erscheinungsbild

2.1 Übersicht



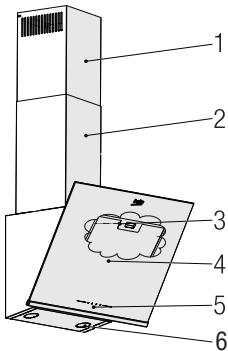
BHCA 64640 B
BHCA 64640 BH

(Abbildung 1).



BHCA 94640 BH
BHCA 94640 WH

(Abbildung 2)



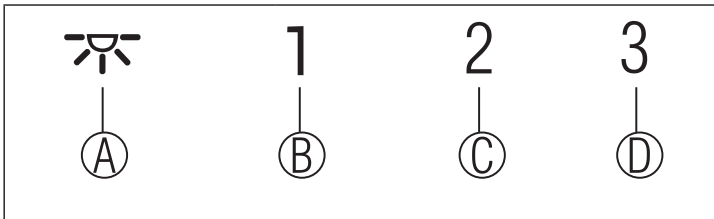
1. Innerer Abluftkanal
2. Äußerer Abluftkanal
3. Aluminium Oil Filters (Behind Glass Cover)
4. Glasdeckel
5. Kontroll-Baugruppe
6. Lampe

2.2 Technische Daten

Modell:	BHCA 64640 B BHCA 64640 BH	BHCA 94640 BH BHCA 94640 WH
Versorgungsspannung:	220-240V ~ 50 Hz	
Lampenleistung	2 x 3 W	
Motorleistung	210 W	
Fließrate (m³/h) – 3. Stufe	631 m³/h	623 m³/h
Isolationsklasse des Motors	Klasse F	
Isolationsklasse	Klasse I	

3 Bedienung des Gerätes

3.1 Steuerung des Geräts



SCHLÜSSEL	FUNKTION
(A) : Ein-/Aus des Lichts	Durch Drücken dieser Taste können Sie die Kochstelle beleuchten. Drücken Sie die Ein/Aus-Taste erneut, um die Lampe auszuschalten.
(B) : 1. Bühne Taste	Betreibt das Gerät mit der 1. Geschwindigkeit. Wenn Sie diese Taste erneut drücken, um das Gerät auszuschalten, wird die Bildschirm-Geschwindigkeitsstufe ausgeschaltet.
(C) : 2. Bühne Taste	Betreibt das Gerät mit 2. Geschwindigkeit. Wenn Sie diese Taste erneut drücken, um das Gerät auszuschalten, wird die Bildschirm-Geschwindigkeitsstufe ausgeschaltet.
(D) : 3. Bühne Taste	Betreibt das Gerät mit der 3. Geschwindigkeit. Wenn Sie diese Taste erneut drücken, um das Gerät auszuschalten, wird die Bildschirm-Geschwindigkeitsstufe ausgeschaltet.

3.2 Energieeffizienter Betrieb im Sinne der Verwendung

- Wenn Sie Ihr Gerät benutzen, passen Sie die Geschwindigkeitseinstellungen je nach Dampf- und Geruchsintensität an, um Energie zu sparen.
- Verwenden Sie niedrige Geschwindigkeiten (1-2) unter normalen Bedingungen und hohe Geschwindigkeiten (3) für intensive Gerüche und Dämpfe.
- * Die Lampen der Dunstabzugshaube sind so angebracht, dass sie den Herdbereich beleuchten.

Ihr Nutzung für die Beleuchtung der Küche kann zu unnötigen zusätzlichen Stromkosten führen, ohne dass die Raumbeleuchtung ausreichend wäre.

3.3 Bedienungsanleitung

- Ihr Gerät enthält einen Motor, der verschiedene Geschwindigkeiten hat.

- Für eine bessere Leistung empfehlen wir niedrige Geschwindigkeiten unter normalen Bedingungen und hohe Geschwindigkeiten bei starken Gerüchen und intensiven Dämpfen.
- Sie können Ihr Gerät starten, indem Sie auf die Taste für die gewünschte Geschwindigkeitseinstellung drücken. (B, C, D)
- Sie können die Kochstelle beleuchten, indem Sie die Lampe (A) drücken.

3.4 Automatisches Anhalten

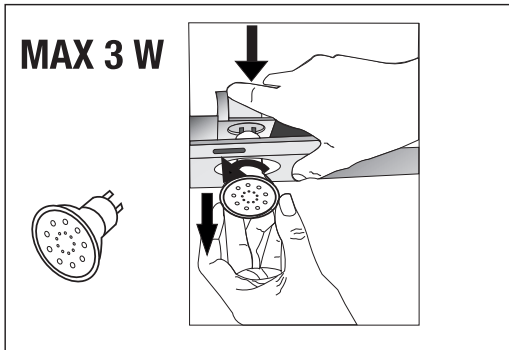
Ihr Gerät verfügt über eine automatische Abschaltfunktion, die es ihm ermöglicht, etwas mehr zu lüften und die unerwünschten Gerüche und Dämpfe aus der Umgebung zu entfernen und sich nach Beendigung des Garvorgangs automatisch auszuschalten. Um die automatische Abschaltfunktion zu aktivieren, drücken Sie eine beliebige Geschwindigkeitsstufentaste (B, C, D) auf dem Bedienfeld länger als 2 Sekunden;

3 Bedienung des Gerätes

die 15-Minuten-Timerfunktion muss aktiviert werden. Wenn die automatische Abschaltfunktion aktiv ist, wird durch Drücken der gleichen Geschwindigkeitstaste die automatische Abschaltfunktion deaktiviert und der Motor des Geräts angehalten. Diese Funktion ist deaktiviert, wenn Sie zwischen verschiedenen Geschwindigkeitsstufen wechseln.

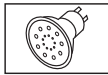
Wenn Sie möchten, dass das Gerät automatisch stoppt, müssen Sie die automatische Abschaltfunktion wieder aktivieren.

3.5 Leuchtmitteltausch



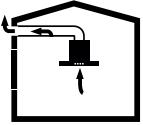
(Abbildung 3)

Stellen Sie die elektrischen Anschlüsse des Geräts her. Ihr Gerät verwendet eine 3W LED-Punktleuchte. Zum Auswechseln der Lampen drücken Sie die Fassung von hinten nach unten, drehen Sie sie gegen den Uhrzeigersinn und nehmen Sie sie nach unten heraus. Wenden Sie den obigen Vorgang in umgekehrter Reihenfolge an, um neue Lampen einzubauen (Abbildung 3).

Glühbirne	
Leistung der Lampe (W)	3
Halter / Sockel	GZ 10
Die Spannung der Glühbirne (V)	220 - 240
Größe : (mm)	53 x 50
PIN-Code	DR/F3-220-240-GZ10-50-53

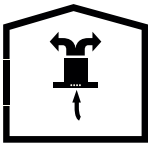
3 Bedienung des Gerätes

3.6 Betrieb mit Abluftkanal Anschluss



- Der Dampf wird durch den Abluftkanal, der am Anschlusskopf der Abzugshaube befestigt ist, abgesaugt.
- Der Durchmesser des Abluftkanals muss dem Durchmesser des Anschlussrings entsprechen. Bei horizontaler Anordnung muss das Rohr ein leichtes Gefälle (ca. 10°) nach oben haben, damit die Luft leicht aus dem Raum austreten kann.

3.7 Betrieb mit Abluftkanal Anschluss



- Die Luft wird durch den Kohlefilter gefiltert und im Raum rezirkuliert. Der Kohlefilter wird verwendet, wenn es unmöglich ist, einen Rauchabzug im Haus zu benutzen.
- Im rauchgaslosen Betrieb sind die Klappen im Inneren des Rauchgasadapters zu entfernen.
- Entfernen Sie den Ölfilter. Zum Einbau des Kohlefilters wird der Filter an den Laschen angebracht, indem er auf dem Kunststoffteil auf beiden Seiten des Gebläsekörpers zentriert wird. Ziehen Sie sie durch Rechts- oder Linksdrehung fest.
- Aluminium-Ölfilter ersetzen.

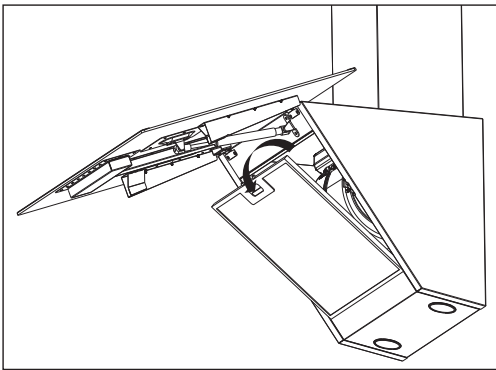
4 Reinigung und Wartung



Ziehen Sie vor der Reinigung und Wartung den Netzstecker oder schalten Sie den Schalter aus.

4.1 Reinigung des Aluminium-Ölfilters

Dieser Filter hält die Ölpartikel in der Luft zurück. Aluminium-Ölfiler können sich beim Waschen verfärben; dies ist normal und erfordert keinen Austausch Ihrer Aluminium-Ölfiler.



(Abbildung 4)

- Drücken Sie den Aluminium-Ölfilerverschluss nach vorne.
- Ziehen Sie ihn dann leicht nach unten und ziehen Sie ihn heraus (Abbildung 4). Andernfalls können Sie den Filter verbiegen. Waschen und spülen Sie Aluminiumölfiler mit flüssigem Reinigungsmittel und ersetzen Sie Aluminiumölfiler bis zu ihren Sitzen, indem Sie die oben angegebenen Schritte in umgekehrter Reihenfolge durchführen. Dieser Filter hält die Ölpartikel in der Luft zurück.



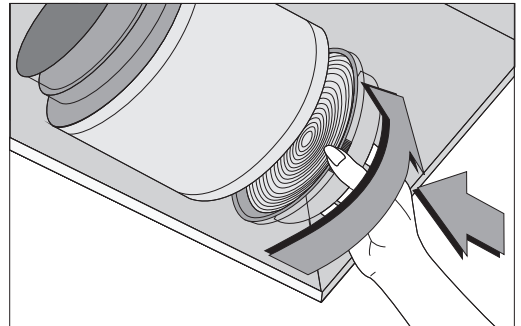
Sie können Ihre Aluminium-Ölfiler in der Spülmaschine waschen.



VORSICHT
Reinigen Sie Ihren Aluminium-Ölfiler bei normalem Gebrauch einmal im Monat.

4.2 Austausch des Kohlefilters

Geruchsbeseitigende Filter enthalten Holzkohle (Aktivkohle). Das Gerät muss stets mit eingesetzten Fettfiltern betrieben werden, unabhängig davon, ob ein Aktivkohlefilter verwendet wird oder nicht.



(Abb. 5)

- Entfernen Sie die Aluminium-Ölfiler (Abbildung 4).
- Um den Kohlefilter zu entfernen, nehmen Sie den Kohlefilter aus seinem Gehäuse heraus, indem Sie ihn gegen den Uhrzeigersinn aus der Lasche drehen (Abbildung 5).
- Installieren Sie den neuen Kohlefilter.
- Installieren Sie den Aluminium-Ölfiler.



VORSICHT

Kohlefilter dürfen niemals gewaschen werden.



VORSICHT

Ersetzen Sie die Kohlefilter einmal alle 3 Monate.



VORSICHT

Sie können den Kohlefilter bei den autorisierten Diensten beziehen.

5 Installation Des Geräts



WARNUNG!

Lesen Sie vor Beginn der Installation die Sicherheitshinweise im Benutzerhandbuch.



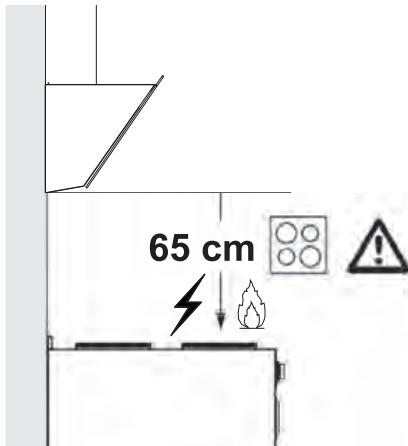
WARNUNG!

Wird die Installation mit Schrauben und Stabilisatoren nicht in Übereinstimmung mit diesen Anweisungen durchgeführt, kann dies zu einem elektrischen Schlag führen.

Für die Installation der Abzugshaube wenden Sie sich bitte an den nächstgelegenen autorisierten Service.

Es liegt in der Verantwortung des Kunden, den Standort und die elektrische Installation der Abzugshaube vorzubereiten.

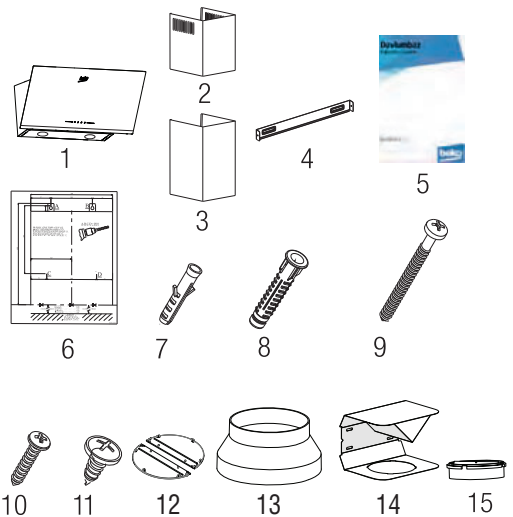
5.1 Positionierung des Geräts



(Abbildung 6)

- Der Abstand zwischen dem Herd und der Abzugshaube muss vor der Montage berücksichtigt werden. Dieser Abstand sollte 65 cm betragen (Abbildung 6).
- Der Abstand muss bei Gasherden von der Oberfläche des Rostes,
- bei Elektroherden von der Oberfläche des Glases gemessen werden.

5.2 Installations-Zubehör



1. Produkt
2. Innerer Abluftkanal
3. Äußerer Abluftkanal
4. Verbindungsplatte des Abluftkanals
5. Benutzerhandbuch
6. Montageschema
7. 2x Ø6mm Kunststoff-Dübel
8. 4x Ø8mm Kunststoffdübel
9. 4x 4.8x50 Schraube für die Wandmontage
10. 2x 3,9x22 Schraube für Verbindungsplatte des Rauchabzugs
11. 4x 3.5x9.5 Verbindungsschrauben für Abluftkanal
12. Schornsteinschelle aus
13. 150/120 mm Kunststoff-Abluftkanal Adapter
14. Luftleitblech
15. Kunststoffadapter (Luftumlenker)

Die Informationen, die erforderlich sind, um den Standort für die Installation der Abzugshaube geeignet zu machen, sind nachstehend aufgeführt.

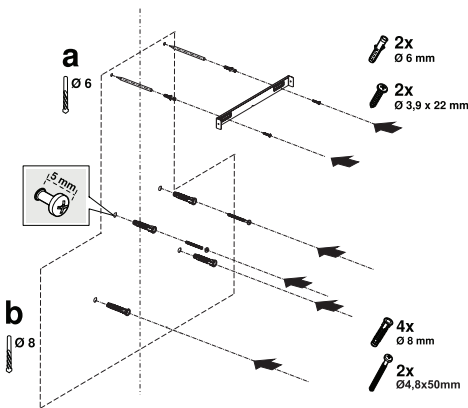
5.3 Wandmontage

- Die Wand muss eben und gerade sein

5 Installation Des Geräts

sowie über ausreichende Tragkraft verfügen.

- Die Tiefe der Bohrung muss der Schraubenlänge entsprechen.
- Die mitgelieferten Bolzen und Dübel sind für Ziegelwände geeignet. Für andere Baustoffe (z.B. Trockenbauwände, Platten, Porenbeton) sind geeignete Befestigungsdübel und Muttern zu verwenden.



(Abbildung 7)

VORSICHT



Stellen Sie vor dem Bohren sicher, dass sich keine Strom-, Gas- oder Wasserleitungen in der Nähe der Bohrstellen befinden.

Zeichnen Sie eine mittlere Positionslinie von der Decke senkrecht zur Unterkante der Abzugshaube ().

Kleben Sie die im Zubehör mitgelieferte Installationsschablone auf die Oberfläche, an der die Abzugshaube montiert werden soll. Beachten Sie bei diesem Vorgang die Montagehöhe der Abzugshaube (Seite 12 / Abbildung 6).

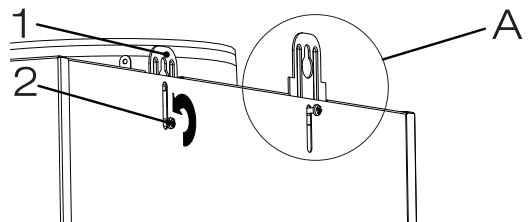
In der Mitte der Abluftkanalplatte befindet sich eine Lasche. Platzieren Sie den Mittelpunkt dieser Registerkarte auf der Linie, die senkrecht zur Wand gezeichnet wird. Dabei ist die Abzugshau-

be entsprechend der maximalen Höhe einzustellen (Seite 8 / Abbildung 1). Markieren Sie mit Hilfe eines Stifts die Löcher, an denen die Abluftkanalplatte montiert werden soll (Abbildung 7/a).

Bohren Sie die markierten Punkte mit einem Ø6mm-Bohrer und setzen Sie 2 Kunststoffdübel in die gebohrten Löcher ein (Abbildung 7/a). Befestigen Sie die Abluftkanalplatte mit Stück Schrauben 3.9x22 an der Wand (Abbildung 7/A).

Zur Montage der Abzugshaube können Sie mit dem Ø8-mm-Bohrer die Punkte A, B, C, D auf der Montageschablone bohren und an diesen Punkten 4,8x50-mm-Kunststoffdübel einsetzen. (Abbildung 7/b).

2 Stück 4,8x50 Hängeschraube mit einem Spiel von 5 mm zwischen Schraubenkopf und Wand (Abbildung 7/b).



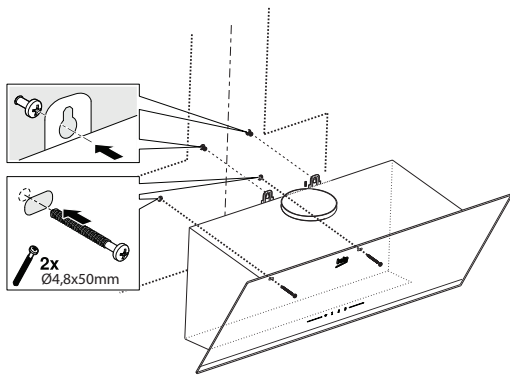
(Abbildung 8)

1. Montageplatte
2. Verbindungsschraube für Hängeplatte

Um Ihre Abzugshaube an der Wand zu montieren, lösen Sie die Schrauben an den Aufhängeplatten, die an der Motorkabine angebracht sind, und ziehen Sie diese nach oben und befestigen Sie sie dann wieder (Abbildung 8 / A).

Schalten Sie das Absaugglas der Abzugshaube ein und entfernen Sie den Aluminium-Ölfilter (Seite 11 / Abbildung 4).

5 Installation Des Geräts

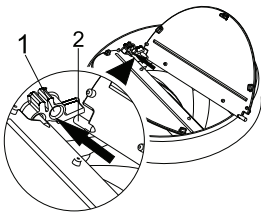


(Abbildung 9)

Halten Sie die Abzugshaube an ihrem Körper fest, setzen Sie sie auf die Befestigungsschrauben an der Wand und ziehen Sie die Schrauben fest (Abbildung 9).

Befestigen Sie die Abzugshaube mit einer Schraube 4,8x50 an der Wand durch das Montageloch auf der Innenseite des Geräts (Abbildung 9).

5.4 Verbindung zum Abluftkanal



(Abbildung 10)

- 1- Klappenstift Buchse
- 2- Klappenstift

Stecken Sie den Kunststoffstift (Abbildung 10 / Bereich Nr. 2) auf die Stiftaufnahme am Motorauslass (Abbildung 10 / Bereich Nr. 1). Biegen Sie dann die Klappe leicht, um den anderen Stift auf der Klappe einzuführen, und führen Sie den anderen Stift in seine Fassung ein (Abbildung 10).

Wenn Sie den Ø 120/150 mm Kunststoff-Abluftkanal adapter verwenden wollen,

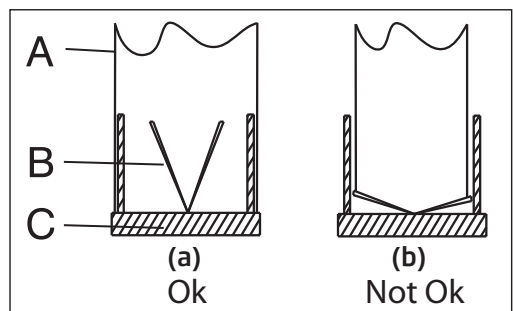
schließen Sie ein Ende des Rohrs an diesen Adapter an, wenn Sie ihn nicht verwenden wollen, an den direkten Ausgang am Produkt. Schließen Sie das andere Ende des Rohrs an Ihren Abluftkanal an. Prüfen Sie, ob diese beiden Anschlüsse fest genug sind, damit sie sich nicht lösen, wenn das Gerät mit voller Leistung läuft. Stellen Sie sicher, dass die Klappen im Inneren des Kamins funktionieren, wenn sie mit der Klemme festgezogen werden. Schließen Sie den Abluftkanal außerhalb des Adapters an (Abbildung 11/a). Wenn der Abluftkanal im Innern des Adapters angebracht ist, darf keine Luft angesaugt werden, da die Abgasklappe, die die Rückführung der Luft verhindert, geschlossen bleibt (Abbildung 11 / b). Die Länge der Rohrleitung und Zahl der Bogenstücke sollten dabei so gering wie möglich sein.

A : Abluftkanal Ausgangsrohr

B : Abluftkanal Klemmen

C: Kunststoff abluftkanal

Die Ventile sind dann geschlossen, wenn das Gerät nicht in Betrieb ist, und verhindern, dass möglicher Außengeruch und Staub ins Innere gelangen.

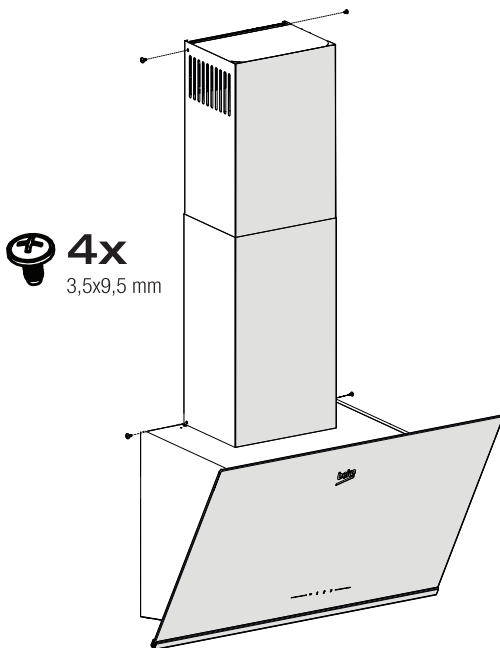


(Abbildung 11)

5 Installation Des Geräts

5.5 Einbau der Abzugshaube in den Abluftkanal

Stellen Sie den elektrischen Anschluss Ihrer Abzugshaube her, bevor Sie mit der Installation des Abluftkanal. Schieben Sie die Abluftkanal Platten um den Körper. Schrauben Sie den Abluftkanal an die an der Motorkabine vorhandenen Abluftkanalbefestigungsplatten. (Abbildung 12). Installieren Sie den Abluftkanal an der Schornsteinbefestigungsplatte, die von den oberen Außenkanten an der Wand befestigt ist (Abbildung 12).

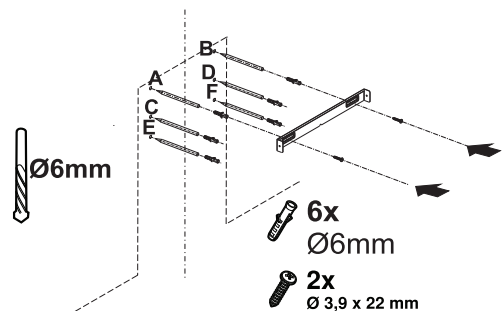


(Abb. 12)

5.6 Einbau eines Luftleitblechs

(BHCA 64640 BH - BHCA 94640 BH - BHCA 94640 WH)

Bei der Verwendung mit dem Kohlefilter wird ein Luftleitblech mit Ihrem Gerät mitgeliefert, um die mit dem Kohlefilter gereinigte Luft wieder aus der am Abluftkanal befindlichen Perforation freizusetzen. Montieren Sie das Luftleitblech wie unten beschrieben.



(Abb. 13)

In der Mitte der Abluftkanalplatte befindet sich eine Lasche. Platzieren Sie den Mittelpunkt dieser Registerkarte auf der Linie, die senkrecht zur Wand gezeichnet wird. Richten Sie sie horizontal aus und markieren Sie mit einem Stift die Löcher, an denen die Anschlussplatte montiert werden soll (Abbildung 13 / A, B).

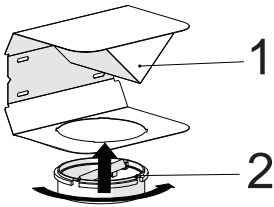
Bohren Sie die markierten Punkte mit einem $\varnothing 6\text{mm}$ -Bohrer und setzen Sie zwei $\varnothing 6\text{mm}$ -Kunststoffdübel in die gebohrten Löcher ein (Abbildung 13 / A, B).

Befestigen Sie die Abluftkanalplatte mit Stück Schrauben 3.9x22 an der Wand (Abbildung 13/ A, B).

Für die Montage des Luftleitblechs bohren Sie die Punkte C, D, E, F mit einem $\varnothing 6\text{mm}$ Bohrer und schlagen Sie die $\varnothing 6\text{mm}$ Kunststoffdübel ein (Abbildung 13).

Bauen Sie den Körper der Abzugshaube zusammen (Seite 14 / Abbildung 9).

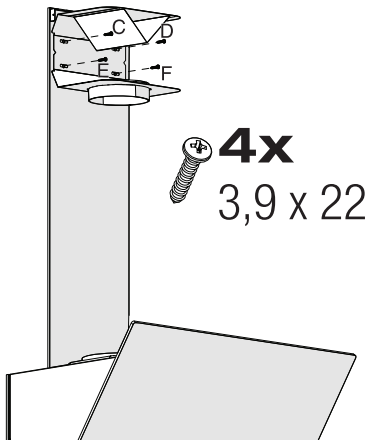
5 Installation Des Geräts



(Abbildung 14)

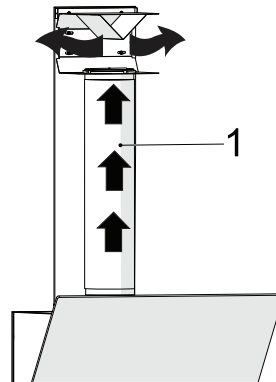
- 1- Luftleitblech
- 2 Kunststoff Abluftkanal

Befestigen Sie den im Paket enthaltenen Kunststoff Abluftkanaladapter in Richtung des Luftleitblechs. Verriegeln Sie den Abluftkanaladapter, indem Sie ihn in Pfeilrichtung drehen (Abbildung 14).



(Abb. 15)

Montieren Sie die Luftleitblechgruppe mit 3,9 x 22 Schrauben von Punkt C, D, E, F aus, die Sie bereits vorbereitet haben (Abbildung 15).



(Abb. 16)

- 1- Aluminium-Luftaustrittsrohr
- Stellen Sie die Luftauslassrohrbaugruppe her (Abbildung 16).



Da Verdrehungen und Biegung im Aluminiumrohr zur Verminderung der Ansaugleistung führen, sind diese soweit wie möglich zu vermeiden.

Installieren Sie die Abluftkanal platten der Abzugshaube (Seite 14 / Abbildung 9)

6 Fehlerbehebung

Fehlerbehebung	Ursache	Hilfe
Das Gerät funktioniert nicht.	Überprüfen Sie Ihre Sicherungen.	Die Sicherung kann durchbrennen, inspiziert und wiederhergestellt werden.
Das Gerät funktioniert nicht.	Überprüfen Sie die elektrische Verbindung.	Die Netzspannung muss zwischen 220 und 240 V liegen.
Das Gerät funktioniert nicht.	Überprüfen Sie die elektrische Verbindung.	Überprüfen Sie, ob andere Geräte in Ihrer Küche funktionieren.
Das Beleuchtungslicht funktioniert nicht.	Überprüfen Sie die elektrische Verbindung.	Die Netzspannung muss zwischen 220 und 240 V liegen.
Das Beleuchtungslicht funktioniert nicht.	Prüfen Sie den Lampenschalter.	Der Lampenschalter muss sich in der Stellung "Ein" befinden.
Das Beleuchtungslicht funktioniert nicht.	Inspizieren Sie die Lampen.	Die Lampen des Geräts müssen aufleuchten.
Der Lufteinlass des Geräts ist unzureichend.	Prüfen Sie den Aluminiumfilter.	Unter normalen Betriebsbedingungen ist der Aluminium-Ölfilter mindestens einmal im Monat zu reinigen.
Der Lufteinlass des Geräts ist unzureichend.	Überprüfen Sie den Abluftkanal	Der Abluftkanal muss sich in der Stellung "Ein" befinden.
Der Lufteinlass des Geräts ist unzureichend.	Überprüfen Sie den Kohlefilter.	Die Filter der Geräte mit Kohlefiltern sind unter normalen Bedingungen einmal alle 3 Monate zu ersetzen.

Garantiebedingungen

Anschrift:

Beko Deutschland GmbH
Thomas-Edison-Platz 3
D-63263 Neu-Isenburg

Kundendienst-Tel.: 06102-86 86 891

Fax: 01805-414 400 *

E-Mail: Kundendienst@beko.com

Ersatzteile-Tel.: 01805-242 515 *

Fax: 01805-345 001*

E-Mail: ersatzteile@beko.com

Sehr geehrte Kundin, sehr geehrter Kunde,

wir gratulieren Ihnen zum neuen Gerät der Marke Beko und wünschen Ihnen viel Freude daran. Sollten Sie dennoch einmal einen Grund zu einer Reklamation erkennen, dann wenden Sie sich bitte an unseren Kundendienst. Geben Sie im Falle einer Störung Ihre genaue Anschrift, Telefonnummer und den GERÄTETYP (vom Typenschild des Gerätes) an.

Hinweis für Kühl- und Gefriergeräte, Achtung!

Um voll funktionsfähig zu sein, benötigt Ihr Gerät nach dem Transport ca. 24 Stunden, in denen sich das Kühlmittel stabilisiert. Sofern es nicht vermeidbar ist und Sie das Gerät sofort nach Aufstellung mit Gefriergut bestücken wollen, müssen Sie damit rechnen, dass die rote Lampe bis zur Stabilisierung des Kühlkreislaufs aufleuchtet. Die Kühlleistung beginnt jedoch vom Augenblick des Anschlusses an sich auf zu bauen.

Die Garanzzeit beträgt 24 Monate ab Kaufdatum.

Bedingungen:

Dieses Gerät wurde nach den modernsten Methoden hergestellt und geprüft. Der Hersteller leistet unabhängig von der gesetzlichen Gewährleistungsverpflichtung des Verkäufers / Händlers für die Dauer von 24 Monaten, gerechnet vom Tag des Kaufes, Garantie für einwandfreies Material und fehlerfreie Fertigung.

Der Garantieanspruch erlischt bei Eingriffen durch den Käufer oder durch Dritte, die vom Hersteller nicht für den Service autorisiert sind oder wenn das Gerät zu gewerblichen Zwecken eingesetzt wird. Schäden die durch unsachgemäße Behandlung oder Bedienung, durch falsches Aufstellen oder Aufbewahren, durch unsachgemäßen Anschluss, oder fehlerhafte Installationen sowie durch höhere Gewalt oder sonstige äußere Einflüsse entstehen, fallen nicht unter die Gewährleistung.

Abhilfemöglichkeiten:

Wir behalten uns vor, bei Reklamationen die defekten Teile auszubessern oder zu ersetzen oder das Gerät auszutauschen. Ausgetauschte Teile oder ausgetauschte Geräte gehen in unser Eigentum über. Nur wenn durch Nachbesserung(en) oder Umtausch des Gerätes die herstellereitig vorgesehene Nutzung endgültig nicht zu erreichen sein sollte, kann der Käufer aus Gewährleistung innerhalb von 24 Monaten, gerechnet vom Tag des Kaufes, Herabsetzung des Kaufpreises oder Aufhebung des Kaufvertrages verlangen. Nachbesserungen verlängern nicht die Gewährleistungszeit. Schadenersatzansprüche, auch hinsichtlich Folgeschäden, sind, soweit sie nicht auf Vorsatz oder grober Fahrlässigkeit beruhen, ausgeschlossen.

Bei unnötiger oder unberechtigter Beanspruchung des Kundendienstes berechnet dieser Zeit- und Wegeentgelt. Reklamationen sind unmittelbar nach Feststellung zu melden. Der Garantieanspruch ist vom Käufer, durch Vorlage der Kaufquittung, nachzuweisen. Bei Nicht-vorlage ist die Reparatur kostenpflichtig. Eine Rückerstattung – nach späterer Einsendung der Kaufquittung – kann nur innerhalb von einem Monat nach Rechnungsdatum gewährt werden.

**Diese Garantiezusage ist gültig innerhalb der Bundesrepublik Deutschland
) 0,14 EUR/Min. aus dem Festnetz der T-Com; Mobilfunk max. 0,42 EUR/Min. (nur für Deutschland)**

Veillez d'abord lire ce manuel !





Cher client(e),

Merci d'avoir choisi un produit Beko. Nous aimerions que vous obteniez une efficacité optimale de ce produit de haute qualité qui a été fabriqué avec une technologie de pointe. Veuillez vous assurer que vous avez bien lu et compris ce guide et la documentation complémentaire avant de les utiliser et conservez-les comme référence. Joignez ce guide à l'unité si vous le remettez à quelqu'un d'autre. Respectez tous les avertissements et informations contenus dans le présent document et suivez les instructions.

Veillez noter que ce manuel d'utilisation peut se rapporter à plusieurs modèles de cet appareil. Le manuel indique clairement toutes les différences entre les modèles.

Symboles et leurs significations

Ces symboles sont utilisés tout au long de ce guide :

	Informations et recommandations importantes concernant l'utilisation de l'appareil.
	ATTENTION : Avertissements sur les dommages corporels ou matériels.
	Avertissement de choc électrique,
	avertissement de risque d'incendie



Ce produit a été fabriqué dans des installations modernes et respectueuses de l'environnement sans nuire à la nature.

1 Instructions importantes en matière de sécurité et d'environnement

1.1 Consignes générales de sécurité

Consignes de sécurité importantes - Lire attentivement et conserver pour référence ultérieure

Cette section contient les consignes de sécurité qui aident à se prémunir contre les risques d'incendie, d'électrocution, d'exposition aux fuites d'énergie à micro-ondes, de dommages corporels ou de dégâts matériels. Le non-respect de ces instructions entraînera l'annulation de toute garantie.

- Les produits Beko sont conformes aux normes de sécurité applicables. Par conséquent, en cas de dommage sur l'appareil ou son câble d'alimentation, le faire réparer ou remplacer par le revendeur, le centre SAV, un spécialiste ou des services habilités afin de prévenir tout danger. Des réparations défectueuses et non professionnelles peuvent être sources de danger et de risque pour l'utilisateur.
- Cet appareil est conçu pour un usage domestique et des utilisations similaires comme :
 - dans les coins cuisine du personnel dans les magasins, bureaux, et autres environnements de travail ;
 - les fermes
 - Par les clients des hôtels et autres types d'environnements résidentiels ;

- et dans les chambres d'hôte.
- Utiliser l'appareil uniquement aux fins pour lesquelles il a été conçu, comme décrit dans les présentes instructions.
- Le fabricant n'est pas responsable des dommages résultant d'une mauvaise installation ou d'une mauvaise utilisation du produit.
- Cet appareil peut être utilisé par des enfants de 8 ans minimum, des personnes à capacités physiques, sensorielles ou mentales réduites et des personnes manquant d'expérience ou de connaissances suffisantes en la matière, à condition qu'elles aient été préparées à un maniement sécurisé de l'appareil et qu'elles aient pleinement conscience des risques encourus.
- Les enfants n'ont pas le droit de jouer avec l'appareil. Le nettoyage et l'entretien de l'appareil ne doivent pas être effectués par des enfants laissés sans surveillance.
- La distance minimale entre la surface d'appui des récipients de cuisson sur la plaque de cuisson et la partie la plus basse de votre produit doit être d'au moins 65 cm.
- Si des instructions relatives à l'installation de la plaque à gaz exigent plus de distance, prenez-les en compte.
- S'assurer que la source d'alimentation électrique est conforme aux informations spécifiées sur la plaque signalétique de l'appareil.

1 Instructions importantes en matière de sécurité et d'environnement

- Ne jamais utiliser l'appareil si le câble d'alimentation ou l'appareil lui-même est endommagé.
 - Pour éviter d'endommager le câble d'alimentation, éviter de l'aplatir, de le plier ou même de le frotter contre des bords coupants. Éloigner le câble d'alimentation de toute surface brûlante et des flammes.
 - Utilisez l'appareil uniquement avec une prise de terre.
- AVERTISSEMENT :** Ne branchez pas l'appareil sur le secteur avant la fin de l'installation.
- Placer l'appareil de sorte que la prise soit toujours accessible.
 - Ne touchez pas les lampes si elles ont été utilisées pendant une longue période. Elles sont chaudes et risqueraient donc de provoquer des brûlures aux mains.
 - Respectez la réglementation des autorités compétentes en matière d'évacuation de l'air évacué (cette mise en garde ne s'applique pas à l'utilisation sans conduit).
 - Faites fonctionner votre appareil après avoir posé une casserole, une poêle, etc. sur la plaque de cuisson. Autrement, la température élevée peut provoquer la déformation de certaines pièces de votre produit.
 - Éteignez la plaque de cuisson avant d'en retirer la casserole, la poêle, etc.
 - Ne laissez pas d'huile chaude sur la plaque de cuisson. Les casseroles contenant de l'huile chaude peuvent s'enflammer.
 - Faites attention à vos rideaux et à vos couvertures, car l'huile peut prendre feu pendant la cuisson de certains aliments, comme les frites.
 - Le filtre à graisse doit être remplacé au moins une fois par mois. Le filtre à charbon doit être remplacé au moins tous les 3 mois.
 - Le produit doit être nettoyé conformément au manuel d'utilisation. Si le nettoyage n'a pas été effectué conformément au manuel d'utilisation, il peut y avoir un risque d'incendie.
 - N'utilisez pas de matériaux filtrants ignifuges à la place des filtres actuels.
 - Utilisez uniquement des pièces d'origine ou pièces recommandées par le fabricant.
 - N'utilisez jamais l'appareil sans le filtre et ne retirez pas les filtres lorsque l'appareil est en marche.
 - En cas d'apparition d'une flamme, éteignez votre produit et vos appareils de cuisson.
 - En cas d'apparition d'une flamme, couvrez la flamme et n'utilisez jamais d'eau pour l'éteindre.
 - Débranchez l'appareil avant chaque nettoyage et lorsque l'appareil n'est pas en cours d'utilisation.
 - La pression négative dans l'environnement ne doit pas dépasser 4 Pa (4 x 10 bars)

1 Instructions importantes en matière de sécurité et d'environnement

lorsque la hotte de la table de cuisson électrique et les appareils fonctionnant avec un autre type d'énergie que l'électricité fonctionnent simultanément.

- Dans l'environnement dans lequel l'appareil est utilisé, les gaz résiduels des appareils fonctionnant au fioul ou au gaz, tels que le chauffage de la pièce, doivent être totalement isolés ou l'appareil doit être de type étanche.
- Pour le raccordement du conduit, utilisez des tuyaux d'un diamètre de 120 ou 150 mm. Le raccordement du tuyau doit être aussi court que possible et avoir le minimum de coudes que possible.

Risque d'étranglement ! Conservez tous les emballages hors de portée des enfants.

ATTENTION : Les pièces accessibles peuvent devenir chaudes lorsqu'elles sont utilisées avec des appareils de cuisson.

- Ne connectez pas la prise du produit aux canaux d'air qui contiennent d'autres fumées.
- La ventilation de la pièce peut être insuffisante lorsque la hotte de la table de cuisson électrique est utilisée en même temps que les appareils fonctionnant au gaz ou avec d'autres combustibles (ceci peut ne pas s'appliquer aux appareils qui rejettent uniquement l'air dans la pièce).
- Les objets placés sur le produit peuvent tomber. Ne posez aucun objet sur le pro-

duit.

- Ne brûlez rien sous votre produit.

AVERTISSEMENT : Retirez les films protecteurs avant d'installer la hotte.

- Ne laissez jamais des grandes flammes nues sous la hotte lorsqu'elle est en fonctionnement.
- Gardez les friteuses en permanence sous surveillance pendant l'utilisation : de l'huile surchauffée peut prendre feu.

1.2 Conformité avec la Directive DEEE et Mise au rebut des appareils usagés :

Cet appareil est conforme à la directive DEEE. (2012/19/UE). Cet appareil porte le symbole de classification pour les déchets des équipements électriques et électroniques (DEEE).



Ce symbole indique que ce produit ne doit pas être jeté avec les déchets ménagers à la fin de sa vie utile. Les appareils usagés doivent être retournés au point de collecte officiel pour le recyclage des appareils électriques et électroniques. Pour trouver ces systèmes de collecte, veuillez contacter les autorités locales ou le détaillant auprès duquel vous avez acheté le produit. Chaque ménage joue un rôle important dans la récupération et le recyclage des appareils ménagers usagés.

L'élimination appropriée des appareils usagés aide à prévenir les conséquences négatives potentielles pour l'environnement et la santé humaine.

1 Instructions importantes en matière de sécurité et d'environnement

1.3 Conformité avec la directive RoHS

L'appareil que vous avez acheté est conforme à la Directive RoHS de l'UE (2011/65/UE). Il ne contient pas de matières dangereuses et interdites spécifiées dans la directive.

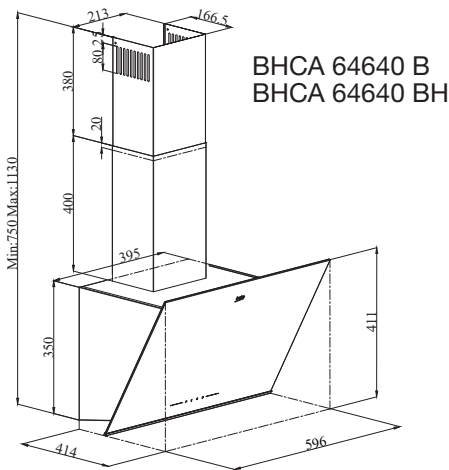
1.4 Informations concernant l'emballage



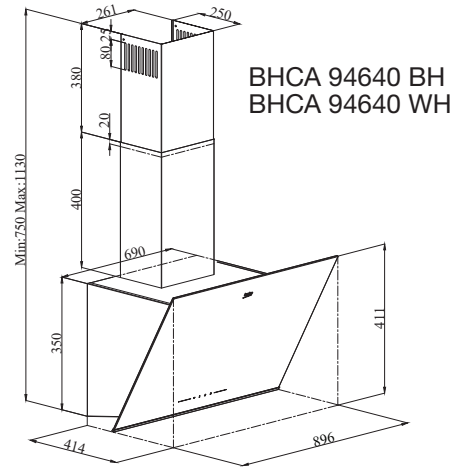
Les matériaux d'emballage du produit sont fabriqués à partir de matériaux recyclables conformément à notre réglementation nationale sur la protection de l'environnement. Ne jetez pas les matériaux d'emballage avec les déchets domestiques et autres déchets. Déposez-les dans l'un des points de collecte de matériaux d'emballage prévus par l'autorité locale.

2 Apparence générale

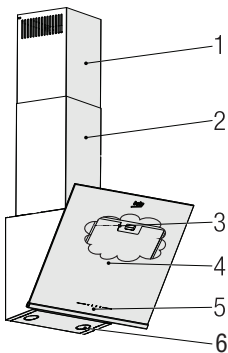
2.1 Vue d'ensemble



(Figure 1).



(Figure 2)



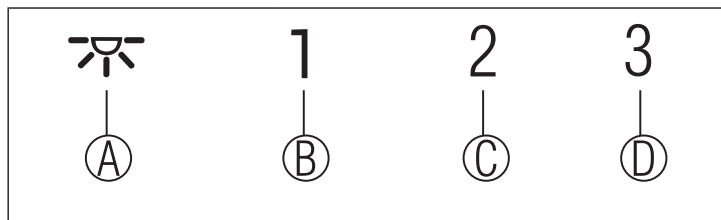
1. Conduit interne
2. Conduit externe
3. Filtres à huile en aluminium
(derrière couvercle en verre)
4. Couvercle en verre
5. Assemblée de contrôle
6. Lampe

2.2 Données techniques

Modèle	BHCA 64640 B BHCA 64640 BH	BHCA 94640 BH BHCA 94640 WH
Tension d'alimentation	220-240V ~ 50 Hz	
Puissance de l'ampoule	2 x 3 W	
Puissance du moteur :	210 W	
Débit (m ³ /h) - 3 Niveau	631 m ³ /h	623 m ³ /h
Moteur de classe d'isolation	Class F	
Classe d'isolation	Classe I	

3 Fonctionnement de l'appareil

3.1 Contrôle de l'appareil



TOUCHE	FONCTION
(A) : Lumière Allumée/Éteinte	Vous pouvez éclairer la zone de cuisson en appuyant sur ce bouton. Appuyez à nouveau sur ce bouton pour éteindre la lampe.
(B) : 1 Bouton gradué	Fait fonctionner l'appareil en 1e vitesse. Lorsque vous appuyez à nouveau sur ce bouton pour éteindre l'appareil, la phase de vitesse de l'écran s'éteint.
(C) : 2 Bouton gradué	Fait fonctionner l'appareil en 2e vitesse. Lorsque vous appuyez à nouveau sur ce bouton pour éteindre l'appareil, la phase de vitesse de l'écran s'éteint.
(D) : Bouton de la 3e étape	Fait fonctionner l'appareil en 3e vitesse. Lorsque vous appuyez à nouveau sur ce bouton pour éteindre l'appareil, la phase de vitesse de l'écran s'éteint.

3.2 Fonctionnement efficace en termes d'économies d'énergie

Utilisation

- * Lorsque vous utilisez votre appareil, réglez la vitesse en fonction de l'intensité de la vapeur et de l'odeur afin d'économiser de l'énergie.
- Utilisez les vitesses basses (1-2) dans des conditions normales, et les vitesses élevées (3) pour les odeurs et vapeurs intenses.
- * Les lampes situées sur la hotte sont destinées à l'éclairage de la zone de cuisson.

L'utilisation de ces lampes pour l'éclairage de la pièce entraîne une consommation d'énergie inutile et un éclairage insuffisant.

3.3 Instructions d'utilisation

- Votre appareil contient un moteur qui a des vitesses différentes.

- Pour de meilleures performances, nous recommandons d'utiliser des vitesses basses dans des conditions normales et des vitesses élevées en cas fortes odeurs et de vapeur intense.
- Vous pouvez démarrer votre appareil en appuyant sur le bouton de réglage de la vitesse souhaitée. (B, C, D)
- Vous pouvez éclairer la zone de cuisson en appuyant sur la lampe (A).

3.4 Arrêt automatique

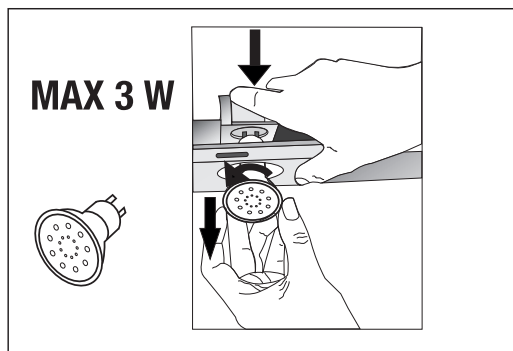
Votre appareil est doté d'une fonction d'arrêt automatique, qui lui permet de ventiler un peu plus et d'éliminer les odeurs et les vapeurs indésirables dans l'environnement et de s'éteindre automatiquement une fois la cuisson terminée. Pour activer la fonction d'arrêt automatique, appuyez sur le bouton

3 Fonctionnement de l'appareil

de n'importe quelle étape de vitesse (B, C, D) sur le panneau de contrôle pendant plus de 2 secondes ; la fonction de minuterie de 15 minutes sera activée. Lorsque la fonction d'arrêt automatique est activée, le fait d'appuyer sur le même bouton de vitesse désactive la fonction d'arrêt automatique et le moteur de l'appareil s'arrête. Cette fonction est désactivée lorsque vous passez d'une vitesse à l'autre.

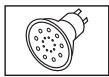
Si vous souhaitez que l'appareil s'arrête automatiquement, vous devez réactiver la fonction d'arrêt automatique.

3.5 Remplacement de la lampe



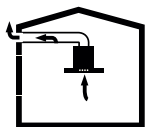
(Figure 3)

Effectuez les branchements électriques de l'appareil. Votre appareil utilise une lampe LED à spot de 3W. Pour remplacer la lampe, il faut pousser vers le bas sur le support par l'arrière, la tourner dans le sens inverse des aiguilles d'une montre et la sortir vers le bas. Appliquez l'opération ci-dessus en sens inverse pour installer de nouvelles lampes (figure 3).

Ampoule	
Puissance de l'ampoule (W)	3
Support / Prise	GZ 10
Voltage de l'ampoule (v)	220 / 240
Taille (mm) :	53 x 50
Code ILCOS	DR/F3-220-240-GZ10-50-53

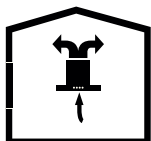
3 Fonctionnement de l'appareil

3.6 Opération avec raccordement au conduit de fumée



- La vapeur est extraite par le conduit de fumée, qui est fixé à la tête de raccordement sur la hotte.
- Le diamètre du conduit de fumées doit être le même que celui de la bague de raccordement. En position horizontale, le tuyau doit avoir une légère pente ascendante (environ 10°) afin que l'air puisse sortir facilement de la pièce.

3.7 Fonctionnement sans raccordement au réseau d'évacuation des fumées



- L'air est filtré par le filtre à charbon et recirculé dans la pièce. Le filtre à charbon est utilisé lorsqu'il est impossible d'utiliser un conduit de fumée dans la maison.
- En cas d'utilisation sans conduit, retirez les rabats à l'intérieur de l'adaptateur de conduit.
- Retirez le filtre à huile. Pour installer le filtre à charbon, fixez le filtre sur les languettes en le centrant sur la pièce en plastique des deux côtés du corps du ventilateur. Resserrez-le en tournant à droite ou à gauche.
- Remplacez le filtre à huile en aluminium.

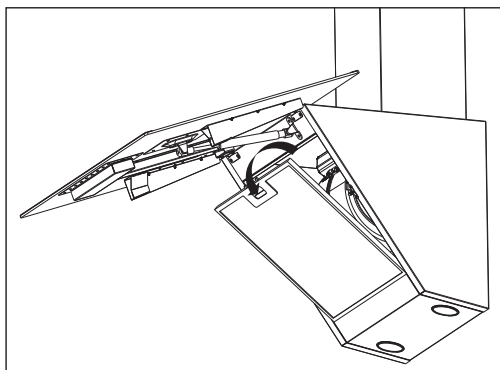
4 Nettoyage et entretien



Avant de procéder au nettoyage et à l'entretien, débranchez le produit ou éteignez l'interrupteur.

4.1 Nettoyage du filtre à huile en aluminium

Ce filtre retient les particules d'huile dans l'air. Les filtres à huile en aluminium peuvent changer de couleur au fur et à mesure qu'ils sont lavés ; c'est normal et cela ne nécessite pas le remplacement de vos filtres à huile en aluminium.



(Figure 4)

- Poussez le verrou du filtre à huile en aluminium vers l'avant.
- Puis tirez-le légèrement vers le bas et retirez-le (figure 4). Sinon, vous pouvez plier le filtre. Lavez et rincez les filtres à huile en aluminium avec un détergent liquide et remplacez les filtres à huile en aluminium par leurs douilles en effectuant les étapes indiquées ci-dessus dans l'ordre inverse. Ce filtre retient les particules d'huile dans l'air.



Vous pouvez laver vos filtres à huile en aluminium dans le lave-vaisselle.

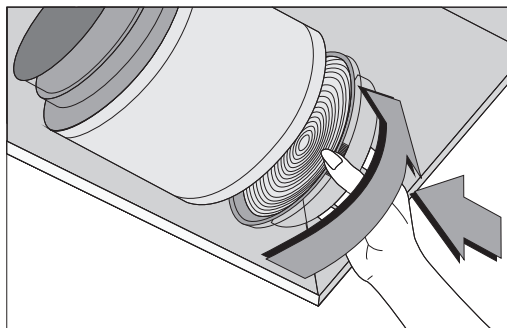


ATTENTION

En cas d'utilisation normale, nettoyez votre filtre une fois par mois.

4.2 Remplacement des filtres à carbone

Les filtres désodorisants contiennent du charbon de bois (charbon actif). Des filtres à graisse doivent être installés dans le produit, que des filtres à charbon soient utilisés ou non.



(Fig. 5)

- Retirez le filtre à huile en aluminium (figure 4).
- Pour retirer le filtre à charbon, retirez le filtre à charbon de son logement en le faisant tourner dans le sens inverse des aiguilles d'une montre à partir de la languette (figure 5).
- Installez le nouveau filtre à charbon.
- Installez le filtre à huile en aluminium.



ATTENTION

Le filtre à charbon ne doit jamais être lavé.



ATTENTION

Remplacez les filtres à charbon une fois tous les trois mois.



ATTENTION

Vous pouvez obtenir un filtre à charbon actif auprès des services autorisés.

5 Installation de l'appareil



ATTENTION !

Avant de commencer l'installation, lisez les informations de sécurité figurant dans le manuel d'utilisation.



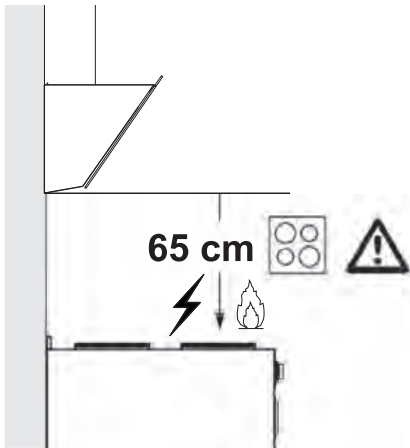
ATTENTION !

Si l'installation n'est pas effectuée avec des vis et des stabilisateurs conformément à ces instructions, elle peut entraîner un choc électrique.

Pour l'installation de la hotte, veuillez contacter le Service Autorisé le plus proche.

Il est de la responsabilité du client de préparer l'emplacement et l'installation électrique de la hotte.

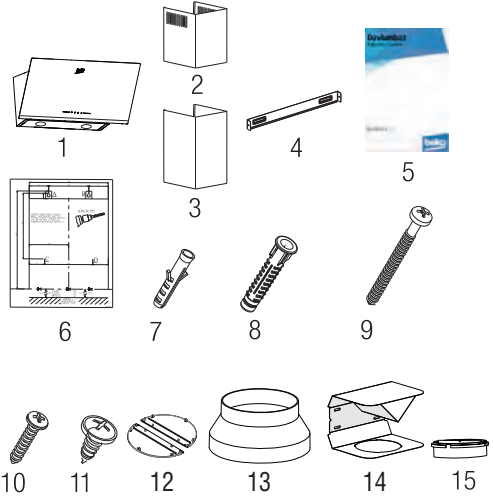
5.1 Position de l'appareil



(Figure 6)

- La distance entre le cuiseur et la hotte doit être prise en compte avant le montage. Cette distance doit être de 65 cm (figure 6).
- La distance doit être mesurée à partir de la surface de la grille pour les cuisinières à gaz,
- à partir de la surface du verre pour les cuisinières électriques.

5.2 Accessoires d'installation



1. Produit
2. Conduit interne
3. Conduit externe
4. Plaque de connexion du conduit
5. Manuel de l'utilisateur
6. Schéma d'assemblage
7. Cheville en plastique 2 x Ø6 mm
8. Cheville en plastique 4 x Ø8mm
9. Vis de fixation murale 4x 4.8 x 50
10. Vis plate de connexion de conduit 2 x 3.9 x 22
11. Vis de Connexion de Conduit 4 x 3.5 x 9.5
12. Pince pour cheminée
13. Adaptateur de conduit de fumée en plastique 150/120mm
14. Déflecteur d'air
15. Adaptateur en Plastique (Inverseur d'Air)

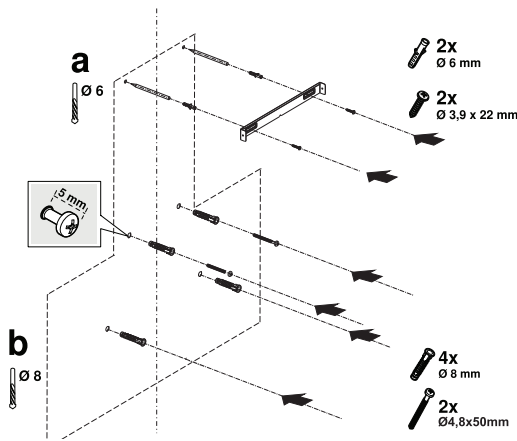
Les informations nécessaires pour rendre l'emplacement approprié pour l'installation de la hotte sont données ci-dessous.

5.3 Montage mural

- Le mur doit être plat, droit et avoir une capacité de charge suffisante.
- La profondeur des trous percés doit correspondre à la longueur des boulons.

5 Installation de l'appareil

- Les boulons et les chevilles fournis conviennent aux murs en briques. Pour les autres matériaux de construction (par ex. cloisons sèches, plaques, béton poreux), des chevilles et écrous de fixation appropriés doivent être utilisés.



(Figure 7)

ATTENTION

Avant de forer, assurez-vous qu'il n'y a pas de conduites d'électricité, de gaz ou d'eau à proximité des lieux de forage.

Tracez une ligne médiane à partir du plafond perpendiculairement au bord inférieur de la hotte ().

Collez le gabarit d'installation fourni dans les accessoires sur la surface où la hotte doit être montée. Lors de cette opération, respectez la hauteur de montage de la hotte (page 12 / figure 6).

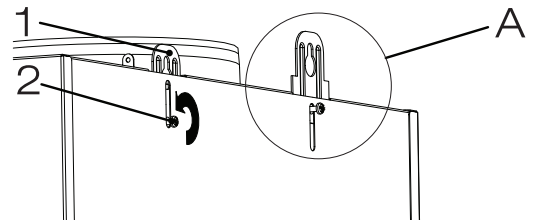
Il y a une languette au milieu de la plaque de raccordement du conduit de fumée. Placez le point central de cet onglet sur la ligne tracée perpendiculairement au mur. Lors de cette opération, ajustez la hotte en fonction de la hauteur

maximale (page 8 / figure 1). Marquez à l'aide d'un stylo les trous où sera montée la plaque de raccordement du conduit de fumée (figure 7/a).

Percez les points marqués avec une mèche de Ø6mm et insérez 2 chevilles en plastique dans les trous percés (figure 7/a). Fixez la plaque de raccordement au mur avec des vis 3,9 x 22 (figure 7/a).

Pour assembler le corps du capot, vous pouvez utiliser un foret de Ø8mm pour percer les points A, B, C, D sur le gabarit d'assemblage, et insérer des chevilles en plastique de 4,8 x 50mm à ces points. (Figure 7/b).

Vis de suspension 2 pièces 4,8 x 50 avec un jeu de 5 mm entre la tête de la vis et le mur (Figure 7/b).



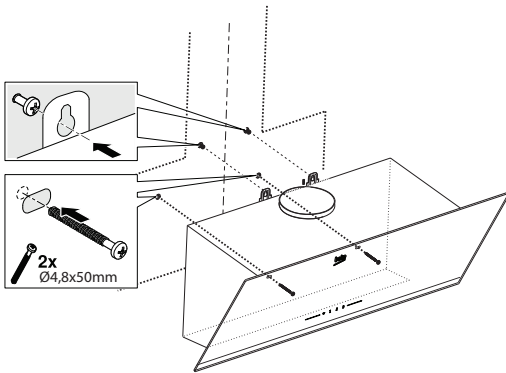
(Figure 8)

- 1 Plaque de suspension
- 2 Vis de Connexion de la Plaque de Suspension

Pour installer votre hotte au mur, il faut desserrer les vis des plaques de suspension montées sur la cabine du moteur et les tirer vers le haut, puis les fixer à nouveau (figure 8 / A).

Allumez la vitre d'aspiration de la hotte et retirez le filtre à huile en aluminium (page 11/figure 4).

5 Installation de l'appareil

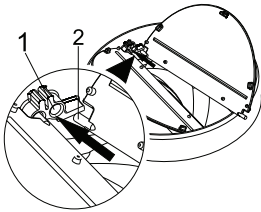


(Figure 9)

Tenez la hotte par son corps et placez-la sur les vis de fixation au mur et serrez les vis (figure 9).

Fixez la hotte à l'aide de deux vis 4,8 x 50 au mur par le trou de montage à l'intérieur de l'appareil (figure 9).

5.4 Connexion au conduit



(Figure 10)

Douille à clapet
2- Goupille à rabat

Insérez la broche en plastique (Figure 10 / zone n° 2) sur la douille de la broche sur l'échappement du moteur (Figure 10 / zone n° 1). Ensuite, pliez légèrement le rabat pour insérer l'autre broche sur le rabat et insérez l'autre broche dans sa douille (figure 10).

Si vous allez utiliser l'adaptateur de conduit de fumée en plastique de Ø 120/150 mm, connectez une extrémité du tuyau à cet adap-

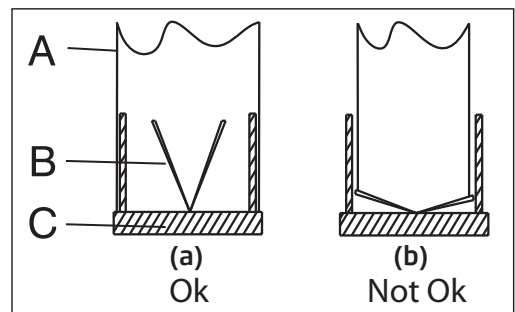
tateur, si vous ne l'utilisez pas, à la sortie directe sur le produit. Raccordez l'autre extrémité du tuyau à votre conduit de fumée. Vérifiez que ces deux connexions sont suffisamment serrées pour qu'elles ne sortent pas lorsque l'appareil fonctionne à pleine puissance. Assurez-vous que les rabats à l'intérieur du conduit fonctionnent lorsqu'ils sont serrés avec un collier de serrage. Raccordez le conduit de raccordement de la cheminée à l'extérieur de l'adaptateur (figure 11/a). Si le conduit de raccordement est monté à l'intérieur de l'adaptateur, l'aspiration d'air ne doit pas se produire car le clapet de cheminée qui empêche le retour d'air restera fermé (figure 11 / b). La longueur de la connexion de tuyaux, tout comme le nombre de coudes, doit être la plus petite possible.

A : Tuyau de sortie de fumées

B : Colliers de serrage

C : Conduit en Plastique

Les vannes sont fermées, puis l'appareil ne fonctionne plus et empêchent l'éventuelle odeur extérieure et la poussière de pénétrer à l'intérieur.



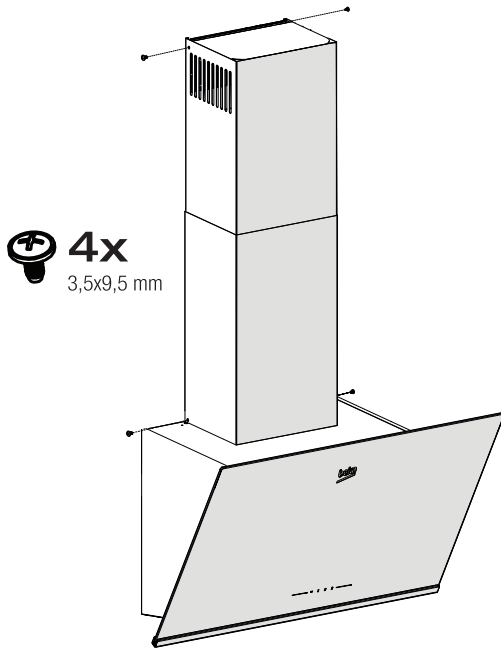
(Figure 11)

5 Installation de l'appareil

5.5 Installation de la hotte sur le conduit

Effectuez le raccordement électrique de votre hotte avant de commencer l'installation du conduit de fumée. Faites glisser les plaques de cheminée autour du corps. Vissez le conduit aux plaques de fixation du conduit disponibles sur la cabine du moteur. (Figure 12).

Installez le conduit sur la plaque de fixation du conduit qui est fixée au mur par ses bords extérieurs supérieurs (figure 12).

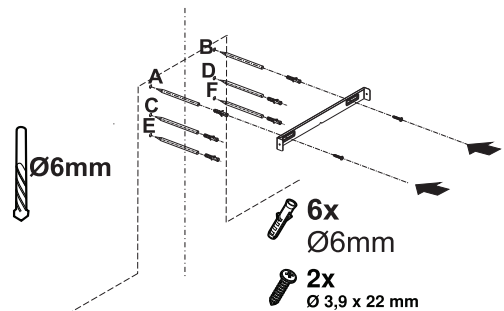


(Fig. 12)

5.6 Installation d'un déflecteur d'air

(BHCA 64640 BH - BHCA 94640 BH - BHCA 94640 WH)

Lors de l'utilisation avec le filtre à charbon, un déflecteur d'air est fourni avec votre appareil dans le but de relâcher l'air qui est nettoyé avec le filtre à charbon de la perforation située sur le conduit de fumée. Montez le déflecteur d'air comme ci-dessous.



(Fig. 13)

Il y a une languette au milieu de la plaque de raccordement du conduit de fumée. Placez le point central de cet onglet sur la ligne tracée perpendiculairement au mur. Alignez horizontalement et marquez les trous où la plaque de connexion sera montée à l'aide d'un stylo (Figure 13 / A, B).

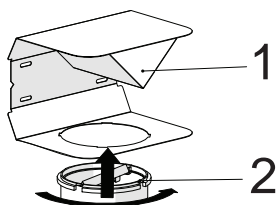
Percez les points marqués avec une mèche de $\text{Ø}6$ mm et insérez deux chevilles en plastique de $\text{Ø}6$ mm dans les trous percés (Figure 13 / A, B).

Fixez la plaque de raccordement au mur avec des vis $3,9 \times 22$ (figure 13/ A, B).

Pour le montage du déflecteur d'air, percez les points C, D, E, F avec un foret de $\text{Ø}6$ mm et tapez sur les chevilles en plastique de $\text{Ø}6$ mm (figure 13).

Assembler le corps de la hotte (page 14 / figure 9).

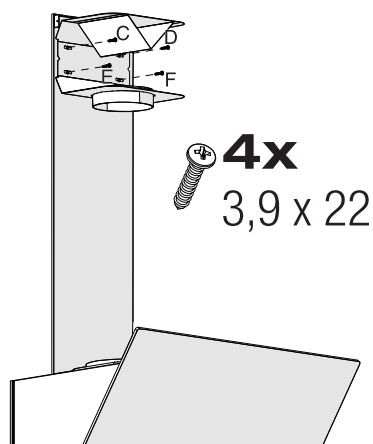
5 Installation de l'appareil



(Figure 14)

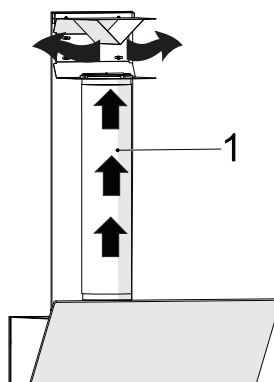
- 1- Déflecteur d'air
- 2- Conduit en Plastique

Fixez l'adaptateur de conduit de fumée en plastique, qui est inclus dans l'emballage, dans la direction du déflecteur d'air. Verrouillez l'adaptateur de conduit de fumée en le tournant dans le sens de la flèche (figure 14).



(Fig. 15)

Assemblez le groupe de déflecteurs d'air avec des vis 3,9 x 22 à partir des points C, D, E, F que vous avez déjà préparés (figure 15).



(Fig. 16)

- 1- Tuyau de sortie d'air en aluminium
- Faites le montage du tuyau de sortie d'air (figure 16).



Vu que la torsion et le pliage du tuyau en aluminium peuvent causer la réduction de la puissance d'aspiration de l'air, évitez de les utiliser autant que possible.

Installez les plaques de la hotte (Page 14 / Figure 9)

6 Dépannage

Dépannage	Cause profonde	Aide
L'appareil ne fonctionne pas.	Vérifiez le fusible.	Vérifiez vos fusibles.
L'appareil ne fonctionne pas.	Vérifiez le branchement.	La tension du réseau doit être comprise entre 220 et 240 V.
L'appareil ne fonctionne pas.	Vérifiez le branchement.	Vérifiez si les autres appareils de votre cuisine fonctionnent.
La lumière d'éclairage ne fonctionne pas	Vérifiez le branchement.	La tension du réseau doit être comprise entre 220 et 240 V.
La lumière d'éclairage ne fonctionne pas	Vérifiez l'interrupteur de la lampe.	L'interrupteur de la lampe doit être sur la position « on ».
La lumière d'éclairage ne fonctionne pas	REPLACEMENT DES LAMPES	Vérifiez les lampes.
L'entrée d'air de l'appareil est insuffisante.	Vérifiez le filtre en aluminium.	Dans des conditions de fonctionnement normales, le filtre à huile en aluminium doit être nettoyé au moins une fois par mois.
L'entrée d'air de l'appareil est insuffisante.	Vérifiez l'évent d'aération.	Le conduit d'évacuation de l'air doit être sur la position « on ».
L'entrée d'air de l'appareil est insuffisante.	Vérifiez le filtre à charbon.	Les filtres des appareils équipés de filtres à charbon doivent être remplacés une fois tous les trois mois dans des conditions normales.

¡Por favor, lea esta guía primero!

Estimado cliente,

Gracias por elegir un producto BEKO. Nos gustaría que sacara el máximo provecho de este producto de alta calidad que ha sido fabricado con tecnología punta. Por favor, asegúrese de leer y entender completamente esta guía y la documentación complementaria antes de usarla y guárdela como referencia. Entregue esta guía junto al aparato si se entrega o vende a otra persona. Observe todas las advertencias e información aquí contenidas y siga las instrucciones.

Tenga en cuenta que esta guía del usuario se puede aplicar a varios modelos de aparato. La guía indica claramente las posibles variaciones de los diferentes modelos.

Símbolos y sus significados

Estos símbolos se utilizan a lo largo de esta guía:



Información importante y recomendaciones sobre el uso del aparato.



PRECAUCIÓN: Advertencias sobre lesiones personales o daños a la propiedad.



Advertencia de descarga eléctrica,



Riesgo de fuego.



Este producto fue fabricado sin dañar la naturaleza en instalaciones modernas respetuosas con el medio ambiente.

Cumple con la Directiva WEEE.



No incluye PCB.

1 Instrucciones importantes sobre seguridad y medio ambiente

1.1 Seguridad general

Lea las instrucciones importantes de seguridad y guárdelas para su futura consulta

Esta sección contiene instrucciones de seguridad que ayudarán a la protección contra los riesgos de incendio, descargas eléctricas, exposición a la energía de microondas, lesiones personales o daño a la propiedad. El incumplimiento de estas instrucciones anulará cualquier tipo de garantía.

- Los productos Beko cumplen con todas las normas de seguridad aplicables; por ello, si el cable o el aparato presentan daños, deberán ser reparados o sustituidos por el distribuidor, un servicio técnico o una persona cualificada y autorizada para evitar cualquier peligro. Los trabajos de reparación deficientes o realizados por personal no cualificado puede ser peligrosos y entrañar riesgos para el usuario.
- Este aparato está destinado al uso doméstico y aplicaciones parecidas, como por ejemplo:
 - Cocinas para uso del personal de tiendas, oficinas y otros entornos laborales;
 - Casa rurales;
 - Por clientes en hoteles o cualquier otro tipo de entorno residencial;
 - Entornos de tipo «Habitación y desayuno» (Bed and Breakfast).
- Utilice este aparato únicamente para su uso previsto, tal como se describe en este manual.
- El fabricante no se hace responsable de los daños provocados por una instalación incorrecta o un uso inapropiado del producto.
- Este aparato puede ser utilizado por niños mayores de 8 años y por personas con capacidades físicas, sensoriales o mentales reducidas o con falta de experiencia y conocimientos, siempre que estén bajo supervisión o hayan recibido instrucciones pertinentes sobre el uso del aparato de manera segura y comprendan los peligros que conlleva.
- No deje que los niños jueguen con el aparato. La limpieza y mantenimiento del usuario no deben ser realizados por niños sin supervisión.
- La distancia mínima entre la superficie de soporte de los recipientes para cocinar en los fogones y la parte más baja de su aparato debe ser de al menos 65 cm.
- Si en las instrucciones de instalación de la placa de gas se indica una distancia superior, deberá tenerse en cuenta este hecho.
- Asegúrese de que la fuente de alimentación cumpla con la información que se indica en la placa de datos del aparato.
- Nunca utilice el aparato si está dañado el cable de alimentación o el mismo aparato.
- Evite daños al cable procurando que no sufra tirones, no se doble y no roce con

1 Instrucciones importantes sobre seguridad y medio ambiente

bordes afilados para evitar dañarlo. Mantenga el cable de corriente alejado de superficies calientes y llamas descubiertas.

- Use el aparato únicamente con un enchufe con toma a tierra.

ADVERTENCIA: No conecte el aparato a la red eléctrica antes de que la instalación se haya realizado por completo.

- Coloque siempre el aparato de forma que el enchufe quede a mano.
- No toque las lámparas si han estado en funcionamiento durante mucho tiempo. Pueden ocasionar quemaduras en las manos ya que estarán calientes.
- Siga las normas establecidas por las autoridades competentes para la descarga del aire de salida (esta advertencia no es aplicable sin la conexión de la chimenea).
- Encienda el aparato después de colocar una olla, una sartén, etc, en los fogones. De lo contrario, las altas temperaturas pueden provocar deformaciones en algunas partes del aparato.
- Apague los fogones antes de retirar las ollas, los sartenes, etc.
- No deje aceite caliente en los fogones. Las sartenes con aceite caliente pueden ocasionar autocombustión.
- Preste atención a las cortinas y los estores, ya que, al cocinar platos como patatas fritas, el aceite puede originar un incendio.
- El filtro antigrasa se debe reemplazar por lo

menos una vez al mes. El filtro de carbón se debe reemplazar por lo menos cada 3 meses.

- El producto se debe limpiar siguiendo las instrucciones del manual de usuario. Si la limpieza no se ha llevado a cabo siguiendo el manual de usuario, puede haber riesgo de incendio.
- No use materiales filtrantes que no resistan el fuego en vez del filtro actual.
- Utilice únicamente accesorios originales o bien los que recomiende el fabricante.
- No use el aparato sin el filtro y no retire los filtros mientras el aparato esté en funcionamiento.
- En caso de fuego, desactive su producto y los aparatos de cocina.
- En caso de fuego, cubra la llama y nunca utilice agua para apagarlo.
- Desenchufe el aparato antes de cada limpieza y cuando no esté en uso.
- La presión negativa de la estancia no debe superar los 4 Pa (4 x 10 bar) cuando la campana para una placa eléctrica funcione simultáneamente con dispositivos de otro tipo de energía excepto la electricidad.
- En la estancia en donde se encuentra el aparato, el escape de equipos de combustible o gas, como calefactores, deben ser herméticos o estar absolutamente aislados.
- Para la conexión de la chimenea, use tu-

1 Instrucciones importantes sobre seguridad y medio ambiente

berías de 120 o 150 mm de diámetro. La conexión de las tuberías debe ser lo más corta posible y tener la menor cantidad de codos de tubería.

¡Peligro de descarga eléctrica! Mantenga todos los materiales de embalaje alejados de los niños.

PRECAUCIÓN: Las partes accesibles pueden alcanzar temperaturas elevadas al usarse con cocinas.

- El canal de salida del aparato no debe estar conectado a canales de aire por los que pasan humo.
- La ventilación de la estancia puede ser insuficiente cuando la campana extractora para placas eléctricas se utiliza al mismo tiempo que los aparatos que funcionan con gas u otros combustibles (esto puede no ser aplicable a los aparatos que solamente descargan el aire de nuevo en la estancia).
- Los objetos colocados encima del producto pueden caerse. No coloque ningún objeto encima del aparato.
- No flambear debajo del aparato.

ADVERTENCIA: Antes de instalar la campana, retire las películas protectoras.

- No dejar llamas altas descubiertas debajo de la campana extractora cuando está en funcionamiento
- Las freidoras se deberán vigilar continuamente durante su utilización: el aceite sobrecalentado es inflamable.

1 Instrucciones importantes sobre seguridad y medio ambiente

1.2 De conformidad con la Directiva RAEE y eliminación del producto al final de su vida útil:

Este producto cumple con la Directiva RAEE de la UE (2012/19/UE). Este producto lleva un símbolo de clasificación de residuos de aparatos eléctricos y electrónicos (RAEE).



Este símbolo indica que este producto no debe eliminarse con otros residuos domésticos al final de su vida útil. El aparato usado debe ser devuelto al punto de recogida oficial para el reciclaje de aparatos eléctricos y electrónicos. Para encontrar estos sistemas de recogida, por favor, póngase en contacto con las autoridades locales o con el distribuidor donde se compró el producto. Cada hogar desempeña un papel importante en la recuperación y el reciclaje de los aparatos viejos.

La eliminación adecuada de los aparatos usados ayuda a prevenir las posibles consecuencias negativas para el medio ambiente y la salud humana.

1.3 Conformidad con la Directiva RoHS

El producto que ha adquirido cumple con la Directiva RoHS de la UE (2011/65/UE). No contiene materiales peligrosos ni prohibidos especificados en la Directiva.

1.4 Información sobre el embalaje

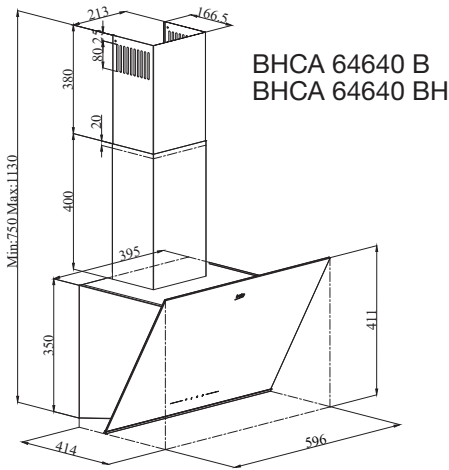


Los materiales de embalaje del producto están fabricados con ma-

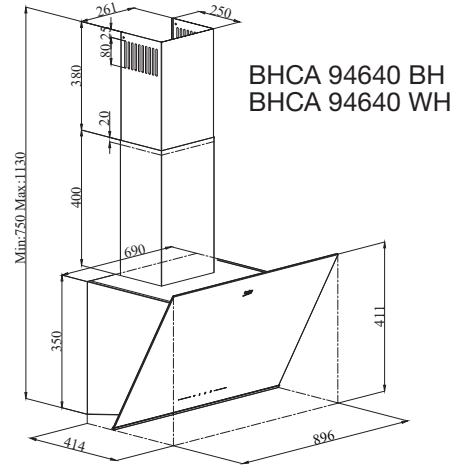
teriales reciclables de acuerdo con nuestra Normativa Medioambiental Nacional. No deseches los materiales de embalaje junto con los residuos domésticos o de otro tipo. Lívelos a los puntos de recogida de material de embalaje designados por las autoridades locales.

2 Apariencia general

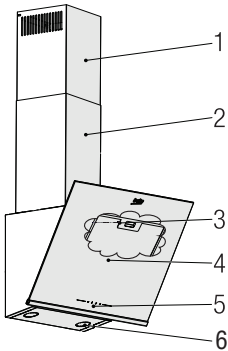
2.1 Visión de conjunto



(Imagen 1).



(Imagen 2)



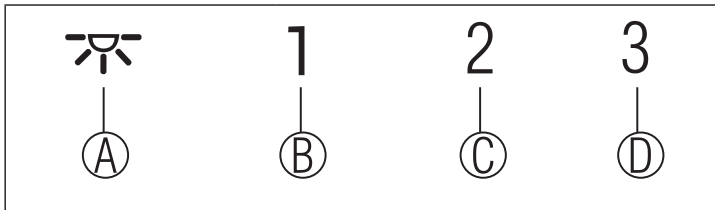
1. Conducto interno
2. Conducto exterior
3. Filtros de aceite de aluminio
(Detrás de la cubierta de vidrio)
4. Cubierta de vidrio
5. Montaje de control
6. Lámpara

2.2 Datos técnicos

Modelo	BHCA 64640 B BHCA 64640 BH	BHCA 94640 BH BHCA 94640 WH
Tensión de alimentación	220-240V ~ 50 Hz	
Potencia de la bombilla	2 x 3 W	
Potencia del motor	210 W	
Caudal (m ³ /h) - 3. Nivel	631 m ³ /h	623 m ³ /h
Clase de aislamiento del motor	Clase F	
Clase de aislamiento	Clase I	

3 Funcionamiento del aparato

3.1 Control del aparato



BOTÓN	FUNCIÓN
(A) : Luz Encendida / Apagada	Puede iluminar el área de cocción pulsando este botón. Vuelva a pulsar este botón para apagar la lámpara.
(B) : 1. Botón de nivel	Hace funcionar el aparato en la primera velocidad. Cuando se pulsa este botón de nuevo para apagar el aparato, el nivel de velocidad de la pantalla se apaga.
(C) : 2. Botón de nivel	Hace funcionar el aparato en la segunda velocidad. Cuando se pulsa este botón de nuevo para apagar el aparato, el nivel de velocidad de la pantalla se apaga.
(D) : Botón del nivel 3	Hace funcionar el aparato en la tercera velocidad. Cuando se pulsa este botón de nuevo para apagar el aparato, el nivel de velocidad de la pantalla se apaga.

3.2 Funcionamiento eficiente y ahorro de energía

Uso

- Al utilizar su campana, ajuste la velocidad de acuerdo a la cantidad de vapores y olores existentes, para así ahorrar energía.
- Utilice velocidades bajas (1-2) en condiciones normales, y velocidades altas (3) para el olor y el vapor intensos.
- * Las lámparas en la campana son colocadas para iluminar la superficie donde se cocina.

Al usarlas como luces de ambientación se desperdiciará energía innecesariamente y dará una luz insuficiente.

3.3 Instrucciones de funcionamiento

- Su campana contiene un motor con varias

velocidades.

- Para un mejor rendimiento, recomendamos utilizar velocidades bajas en condiciones normales y velocidades altas en casos de olores fuertes y vapor intenso.
- Puede iniciar su campana pulsando el botón de la velocidad deseada. (B, C, D)
- Puede iluminar el área de cocción presionando la lámpara (A).

3.4 Parada automática

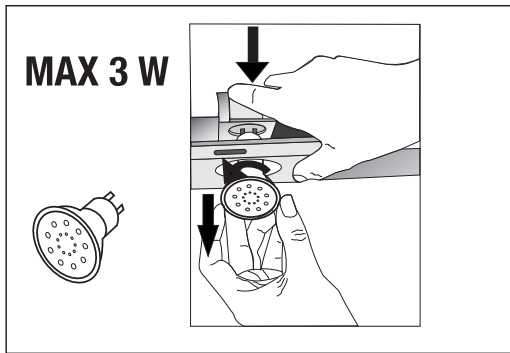
Su aparato tiene la función de parada automática, que le permite ventilar un poco más y eliminar los olores y vapores indeseados del ambiente, y se apaga automáticamente después de terminar de cocinar. Para activar la función de parada automática, pulse el botón de cualquier nivel de velocidad (B, C, D) en el panel de control durante más de 2 segundos; se activará dicha función con un temporizador

3 Funcionamiento del aparato

de 15 minutos. Cuando la función de parada automática esté activa, al pulsar el mismo botón de velocidad se desactivará la función de parada automática y el motor del aparato se detendrá. Esta función se desactiva cuando se cambia entre los diferentes niveles de velocidad.

Si desea que el aparato se detenga automáticamente, debe activar de nuevo la función de parada automática.

3.5 Reemplazo de la lámpara

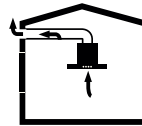


(Imagen 3)

Haga las conexiones eléctricas del aparato. Su aparato utiliza una lámpara LED de 3W. Para cambiar las lámparas, empuje el soporte desde atrás hacia abajo, gírelo en sentido contrario a las agujas del reloj y sáquelo hacia abajo. Haga lo anterior a la inversa para instalar nuevas lámparas (Imagen 3).

Bombilla	
Potencia de la bombilla (W)	3
Soporte / enchufe	GZ 10
Voltaje de la bombilla (V)	220 - 240
Tamaño (mm)	53 x 50
Código ILCOS	DR/F3-220-240-GZ10-50-53

3.6 Funcionamiento con conexión al conducto

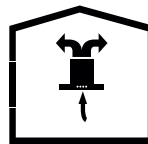


- El vapor se extrae a través del conducto de humo, que está sujeto a la cabeza de conexión en la campana.

• El diámetro del conducto de humos debe ser el mismo que el del anillo de conexión. En los entornos horizontales, el tubo tiene que tener una ligera inclinación hacia arriba (alrededor de 10°) para que el aire pueda salir fácilmente de la habitación.

3.7 Funcionamiento sin conexión al conducto

- El aire se filtra a través del filtro de carbón y circula en la habitación. El filtro de carbón se utiliza cuando es imposible utilizar un conducto para humos en casa.



- Si el funcionamiento es sin conducto, quite las tapas dentro del adaptador del conducto.
- Retire el filtro de aceite. Para instalar el filtro de carbón, encaje el filtro en las pestañas centrándolo en la pieza de plástico a ambos lados del cuerpo del ventilador. Apriételo girando a la derecha o a la izquierda.
- Reemplace el filtro de aceite de aluminio.

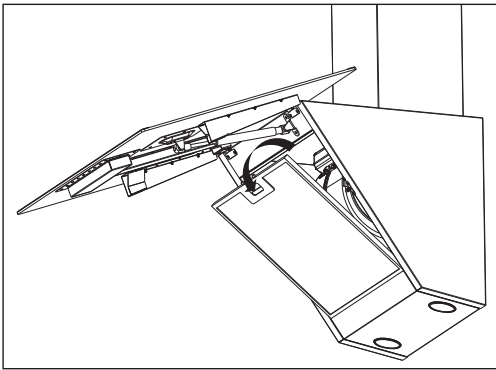
4 Limpieza y mantenimiento



Antes de la limpieza y el mantenimiento, desenchufe el producto o apague el interruptor.

4.1 Limpieza del filtro de aceite de aluminio

Este filtro retiene las partículas de aceite en el aire. Los filtros de aceite de aluminio pueden cambiar de color al ser lavados; esto es normal y no requiere la sustitución de los mismos.



(Imagen 4)

- Empuje el cierre del filtro de aceite de aluminio hacia adelante.
- Luego tire ligeramente hacia abajo y sáquelo (imagen 4). De lo contrario, puede doblar el filtro. Lave y enjuague los filtros de aceite de aluminio con detergente líquido y reemplace los filtros de aceite de aluminio realizando los pasos especificados anteriormente en orden inverso. Este filtro retiene las partículas de aceite en el aire.



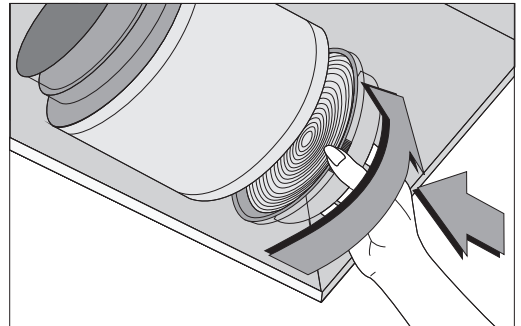
Puede lavar sus filtros de aceite de aluminio en el lavavajillas.



PRECAUCIÓN
En caso de uso normal, limpie su filtro una vez al mes.

4.2 Sustitución de los filtros de carbón

Los filtros de eliminación de olores contienen carbón (carbón activo). Los filtros de grasa deben estar instalados en el producto, sin importar si se utilizan filtros de carbón o no.



(Imagen 5)

- Retire el filtro de aceite de aluminio (Imagen 4).
- Para retirar el filtro de carbón, sáquelo de su alojamiento girándolo en sentido contrario a las agujas del reloj desde la pestaña (Imagen 5).
- Instale el nuevo filtro de carbón.
- Instale el filtro de aceite de aluminio.



PRECAUCIÓN

El filtro de carbón nunca será lavado.



PRECAUCIÓN

Reemplace los filtros de carbón una vez cada 3 meses.



PRECAUCIÓN

Puede obtener el filtro de carbón en los servicios técnicos autorizados.

5 Instalación del aparato



¡ADVERTENCIA!

Antes de comenzar la instalación, lea la información de seguridad en el manual de usuario.



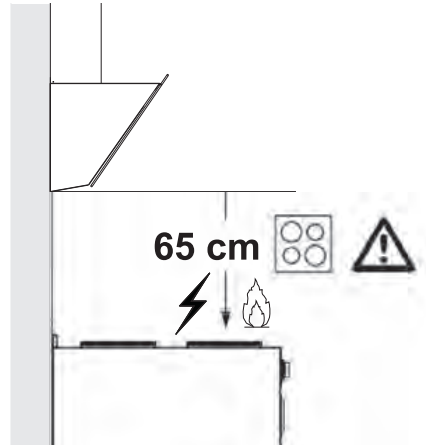
¡ADVERTENCIA!

Si no se instalan los tornillos y estabilizadores de acuerdo con estas instrucciones, puede producirse una descarga eléctrica.

Para la instalación de la campana, por favor contacte con el servicio técnico autorizado más cercano.

Es responsabilidad del cliente proveer la ubicación e instalación eléctrica apropiadas para la campana.

5.1 Posición del aparato

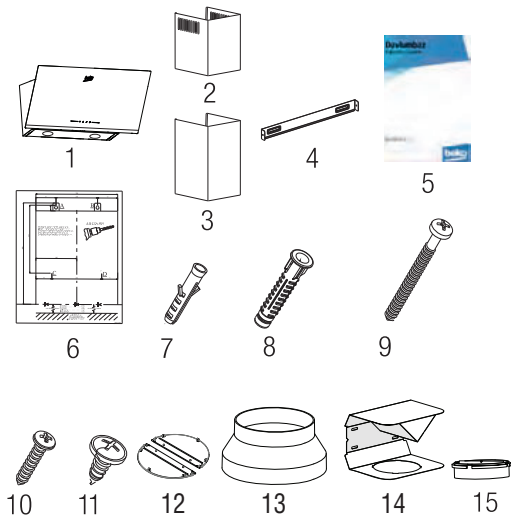


(Imagen 6)

- La distancia entre la cocina y la campana extractora debe ser tenida en cuenta antes del montaje. Esta distancia debe ser de 65 cm (Imagen 6).
- La distancia debe medirse desde la superficie de la rejilla para las cocinas de gas,
- y desde la superficie del vidrio para las cocinas eléctricas.

5 Instalación del aparato

5.2 Accesorios de instalación

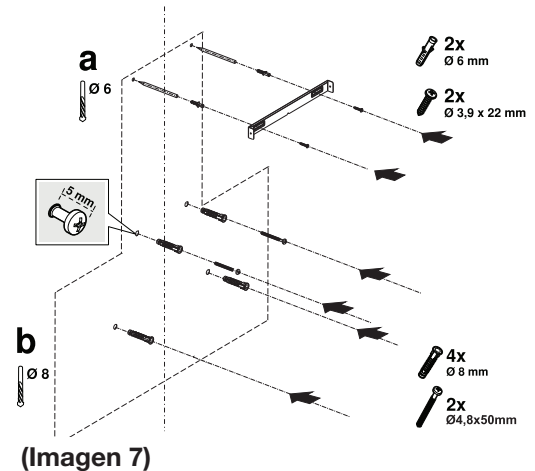


1. Producto
2. Conducto interno
3. Conducto exterior
4. Placa de conexión del conducto
5. Manual de Usuario
6. Patrón de ensamblaje
7. 2 clavijas de plástico de $\text{Ø}6\text{mm}$
8. 4x $\text{Ø}8\text{mm}$ - Tacos de plástico
9. 4x 4.8x50 Tornillo de montaje en la pared
10. 2x 3.9x22 Tornillo de la placa de conexión del conducto
11. 4x 3.5x9.5 Tornillo de conexión del conducto
12. Pinza de chimenea
13. 150/120mm Adaptador de plástico para el conducto
14. Deflector de aire
15. Adaptador de plástico (deflector de aire)

La información necesaria para elegir un lugar adecuado para la instalación de la campana se da a continuación.

5.3 Montaje en la pared

- La pared debe ser plana, recta y tener una capacidad de carga suficiente.
- La profundidad de los agujeros de perforación deben coincidir con la longitud de los pernos.
- Los tornillos y tacos proporcionados son adecuados para paredes de ladrillo. Para otros materiales de construcción (por ejemplo, paneles de yeso, placas, hormigón poroso), se deben utilizar apropiadas clavijas y tuercas de fijación.



(Imagen 7)

PRECAUCIÓN



Antes de perforar, asegúrese de que no existan tuberías de alimentación, gas o agua cerca de las locaciones de perforación.

5 Instalación del aparato

Dibuje una línea perpendicular desde techo hasta al borde inferior de la campana de cocina ().

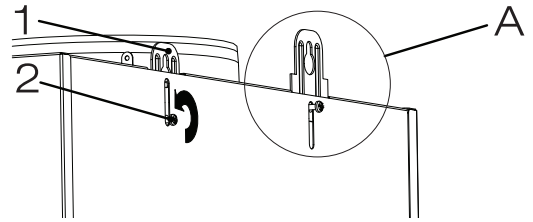
Pegue la plantilla de instalación suministrada con los accesorios en la superficie donde se va a montar la campana. Al realizar esta operación, respete la altura de montaje de la campana (Página 12 / Imagen 6).

En el medio de la placa de conexión del conducto hay una pestaña. El punto medio de la pestaña se coloca en la línea perpendicular dibujada en la pared. Al realizar esta operación, ajuste la campana de acuerdo con la altura máxima (Página 8 / Imagen 1). Marque los agujeros en los que se montará la placa de conexión del conducto con la ayuda de un bolígrafo (Imagen 7/a).

Taladre los puntos marcados con un taladro de $\varnothing 6\text{mm}$ e inserte 2 tacos de plástico en los agujeros taladrados (Imagen 7/a). Fije la placa de conexión del conducto a la pared con 3.9x22 tornillos (Imagen 7/a).

Para ensamblar el cuerpo de la campana, puede usar la broca de $\varnothing 8\text{mm}$ para taladrar los puntos A, B, C, D en la plantilla de montaje, e insertar tacos de plástico de 4,8x50mm en estos puntos. (Imagen 7/b).

Tornillo de suspensión de 2 piezas 4.8x50 con un espacio de 5 mm entre la cabeza del tornillo y la pared (Imagen 7/b).

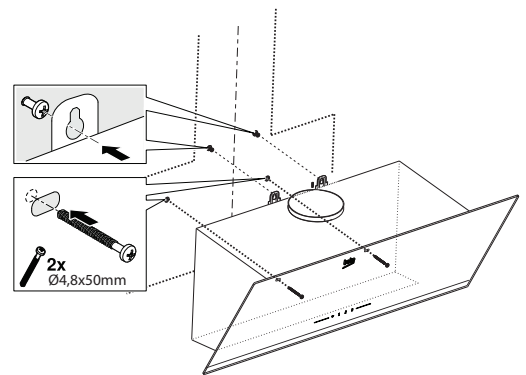


(Imagen 8)

1. Placa colgante
2. Tornillo de conexión de la placa de suspensión

Para instalar la campana en la pared, afloje los tornillos de las placas de suspensión montadas en el alojamiento del motor y tire de ellas hacia arriba, y luego vuelva a fijarlas (Imagen 8 / A).

Encienda el componente de succión de la campana y retire el filtro de aceite de aluminio (Página 11 / Imagen 4).



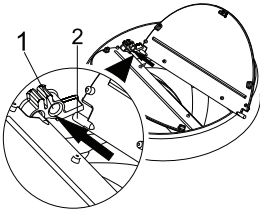
(Imagen 9)

Sostenga la campana extractora por su cuerpo y colóquela sobre los tornillos de montaje en la pared y apriete los tornillos (Imagen 9).

Asegure la campana extractora con dos tornillos de 4,8x50 a la pared a través del orificio de montaje en el interior del aparato (Imagen 9).

5 Instalación del aparato

5.4 Conexión al conducto



(Imagen 10)

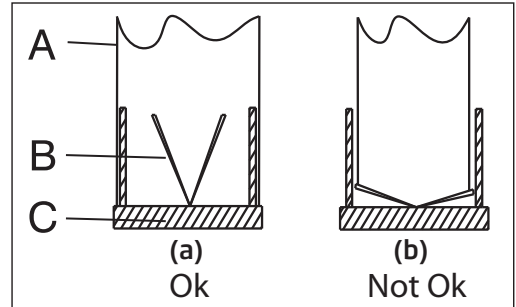
- 1- Conector de clavija
- 2- Clavija

Inserte la clavija de plástico (Imagen 10 / área nº 2) en el conector de clavija del extractor del motor (Imagen 10 / área nº 1). A continuación, doble el alojamiento de la clavija ligeramente e inserte la otra clavija en el mismo y, finalmente, inserte la clavija restante en su conector (Imagen 10).

Si va a utilizar el adaptador de plástico para conductos de humos de 120/150 mm de diámetro, conecte un extremo del tubo a este adaptador, si no lo va a utilizar, a la salida directa del producto. Conecte el otro extremo del tubo al conducto de humos. Compruebe que estas dos conexiones están lo suficientemente firmes para que no se aflojen cuando el aparato funcione a plena potencia. Asegúrese de que las tapas dentro del conducto funcionan cuando se aprietan con la abrazadera. Conecte la conexión del conducto fuera del adaptador (Imagen 11/a). Si el conducto de conexión está colocado en el interior del adaptador, no se producirá la succión de aire ya que la tapa de salida de humos que impide el retorno del aire permanecerá cerrada (Imagen 11 / b). La longitud de la conexión de la tubería, así como el número de codos deben ser de lo mínimo posible.

- A : Tubo de salida de humos
- B : Abrazaderas del conducto
- C: Adaptador de escape de plástico

Las válvulas están cerradas y el aparato no funciona, lo que evita que el posible olor exterior y el polvo entren en el interior.

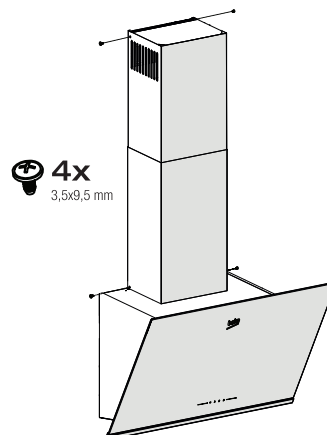


(Imagen 11)

5.5 Instalación de la campana en el conducto

Lleve a cabo la conexión eléctrica de su campana antes de empezar con la instalación del conducto de humos. Deslice las placas del conducto alrededor del cuerpo. Atornille el conducto a las placas de sujeción del conducto que hay en el alojamiento del motor. (Imagen 12).

Instale el conducto en la placa de sujeción del conducto que está fijada a la pared por sus bordes exteriores superiores (Imagen 12).



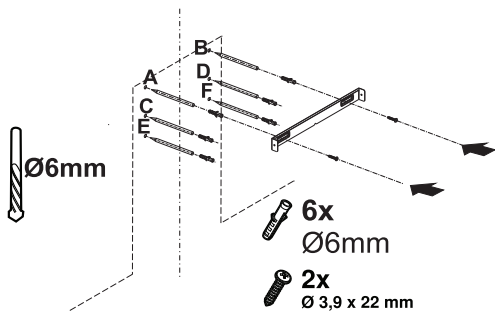
(Imagen 12)

5 Instalación del aparato

5.6 Instalación del deflector de aire

(BHCA 64640 BH - BHCA 94640 BH - BHCA 94640 WH)

Si se adquiere la versión con filtro de carbón, el deflector de aire se suministrará con el aparato con el objetivo de volver a liberar el aire que se limpia con el filtro de carbón. Este aire proviene de los orificios situados en el conducto de humo. Monte el deflector de aire como se indica a continuación.



(Imagen 13)

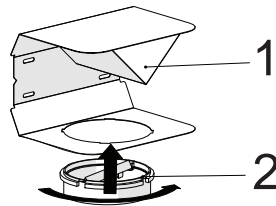
En el medio de la placa de conexión del conducto hay una pestaña. El punto medio de la pestaña se coloca en la línea perpendicular dibujada en la pared. Alinee horizontalmente y marque los agujeros donde se montará la placa de conexión con un bolígrafo (Imagen 13 / A, B).

Taladre los puntos marcados con un taladro de Ø6mm e inserte dos tacos de plástico de Ø6mm en los agujeros taladrados (Imagen 13 / A, B).

Fije la placa de conexión del conducto a la pared con tornillos de 3,9x22 (Imagen 13/ A, B).

Para el montaje del deflector de aire, taladre los puntos C, D, E, F con una broca de Ø6mm y golpee los tacos de plástico de Ø6mm (Imagen 13).

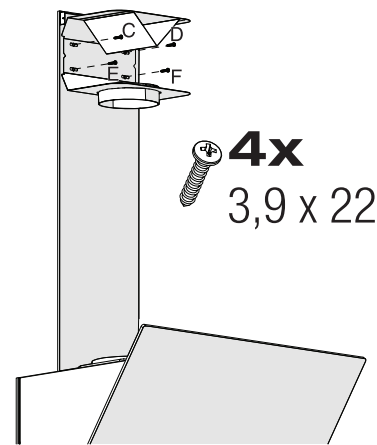
Monte el cuerpo de la campana extractora (Página 14 / Imagen 9).



(Imagen 14)

- 1- Deflector de aire
2. Conducto de plástico

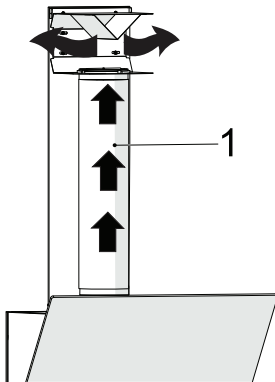
Coloque el adaptador de plástico para conductos de humos, que se incluye en el paquete, en la misma dirección del deflector de aire. Fije el adaptador del conducto girándolo en la dirección de la flecha (Imagen 14).



(Imagen 15)

Monte el deflector de aire con tornillos de 3,9 x 22 en los puntos C, D, E, F que ya ha preparado anteriormente (Imagen 15).

5 Instalación del aparato



(Imagen 16)

1- Tubo de salida de aire de aluminio

Monte el tubo de salida de aire (Imagen 16).



Ya que los giros y curvas del tubo de aluminio conducirán a una reducción de la potencia de aspiración de aire, evite usarlos tanto como sea posible.

Instale las placas de conducto de la campana
(Página 14 / Imagen 9)

6 Solución de problemas

Solución de problemas	Causa principal	Ayuda
El aparato no funciona.	Revise los fusibles.	El fusible puede estar fundido, revíselo y cámbielo, si es necesario.
El aparato no funciona.	Revise la conexión eléctrica.	El voltaje de la red debe ser entre 220 y 240 V.
El aparato no funciona.	Revise la conexión eléctrica.	Compruebe si funcionan otros aparatos en su cocina.
La lámpara de iluminación no funciona.	Revise la conexión eléctrica.	El voltaje de la red debe ser entre 220 y 240 V.
La lámpara de iluminación no funciona.	Revise el interruptor de la lámpara.	El interruptor de la lámpara debe estar en posición "on" (encendido).
La lámpara de iluminación no funciona.	Revise las lámparas.	Las lámparas del aparato se iluminarán.
La entrada de aire del aparato no es adecuada.	Revise el filtro de aluminio.	En condiciones normales de funcionamiento, el filtro de aceite de aluminio se limpiará al menos una vez al mes.
La entrada de aire del aparato no es adecuada.	Revise el conducto de descarga de aire.	El conducto de descarga de aire debe estar en posición "on" .
La entrada de aire del aparato no es adecuada.	Revise el filtro de carbón.	Los filtros de carbón serán reemplazados una vez cada 3 meses en condiciones normales.



**Contacto para asistencia técnica:
902 877 665 / 932 992 581**

CONDICIONES DE GARANTÍA - ESPAÑA

El presente certificado cubre la garantía de reparación de su electrodoméstico durante dos años, a partir de la fecha de venta, contra todo defecto de funcionamiento proveniente de fabricación o materiales; o de sustitución del aparato, salvo que una de estas opciones resulte imposible o desproporcionada respecto de la otra. Cuando usted detecte un defecto o anomalía en el aparato contacte de forma inmediata con nosotros, un plazo de dos meses es el límite para informarnos de la falta de conformidad. El cargo de desplazamiento está incluido en la reparación, excepto para pequeños electrodomésticos que pueden ser transportados al taller del servicio oficial de la marca. En caso de sustitución, el plazo de garantía se suspende y el nuevo aparato mantendrá el periodo de vigencia del aparato sustituido, y como mínimo 6 meses de garantía.

La presente garantía sólo será válida si se presenta factura, ticket de compra o el albarán de entrega del producto correspondiente si éste fuera posterior a la fecha de factura. La presente garantía es válida en el territorio español y portugués para los aparatos distribuidos por Beko Electronics España S.L.. La garantía sólo tendrá validez sobre el primer comprador o adquirente del producto. La garantía será válida para aparatos adecuados a las condiciones climáticas y medioambientales en que estén ubicados.

EXCLUSIONES DE LA GARANTÍA

El coste de la reparación será a cargo del usuario en los siguientes casos:

- Los aparatos utilizados para uso profesional o no exclusivamente doméstico, en establecimientos públicos, industriales o comerciales.
- Los aparatos desmontados o manipulados por personas ajenas a los servicios técnicos expresamente autorizados.
- Las instalaciones, transporte, sustitución de aparatos, puestas en marcha, cambio de sentido de puertas.
- Intervenciones de mantenimiento o de información sobre el uso de los aparatos.
- Cambio de inyectores en aparatos de gas.
- Las averías provocadas por falta de mantenimiento o limpieza o aquellas provocadas por un uso indebido, sobrecarga, abandono o de manera no conforme a las instrucciones de uso o de instalación de los aparatos.
- Las averías producidas por causas fortuitas, siniestros de fuerza mayor o derivados de instalación incorrecta y en general, averías por causas ajenas al propio aparato.
- Las averías provocadas por conexiones que puedan presentar fluctuaciones, irregularidades o falta de uniformidad en el suministro, por ejemplo: suministro de agua impulsado por grupos de presión, energía solar, energía eólica, generadores eléctricos, u otro tipo de suministro no normalizado.
- La sustitución de materiales rotos o deteriorados por desgaste o uso no normal del aparato, o materiales consumibles tales como: juntas, plásticos, gomas, correas, cristales, escobillas, bombillas, asas, tiradores, tapas de quemadores, filtros, rejillas, ánodos de sacrificio (magnesio o similares) de calentadores o calderas, etc.
- Los aparatos que presenten oxidación, o daños por corrosión en esmaltes o pinturas, que puedan ser provocados por efectos químicos o electroquímicos del agua o cualquier otra sustancia, o aceleradas por circunstancias ambientales o climáticas no propicias.
- Defectos estéticos en serigrafía o pintura.
- Los daños de transporte o manipulación, golpes, etc.
- Los aparatos deben instalarse de forma accesible para su reparación, debiendo asumir el usuario los costes necesarios para el acceso al aparato para su reparación y sustitución.

La presente garantía no afecta a los derechos de que dispone el consumidor conforme a lo previsto en el Real Decreto 1/2007, de 16 de noviembre, por el que se aprueba el texto refundido de la Ley General para la Defensa de los Consumidores y Usuarios y otras leyes complementarias, y la Ley 3/2014 que la modifica.

El Servicio Oficial de Asistencia Técnica resolverá cualquier incidencia que pudiera precisar su electrodoméstico siempre que el aparato esté instalado de forma accesible.

Para asegurarse que su electrodoméstico va a ser intervenido por un técnico oficial autorizado, rogamos solicite el carnet avalado por ANFEL (Asociación Nacional de Fabricantes de Electrodomésticos) a nuestros técnicos.

Las marcas BEKO, ALTUS, BLOMBERG, y GRUNDIG se distribuyen por Beko Electronics España S.L.

DATOS APARATO (a rellenar por el Distribuidor):

Titular:		Sello Establecimiento:
Modelo:	Núm. serie:	
Establecimiento:	Fecha de compra:	

El garante e importador de su electrodoméstico es: BEKO ELECTRONICS ESPAÑA S.L. Calle Provenza nº 388 3º Barcelona 08025, España. El producto ha sido fabricado por ARÇELIK A.S (Arçelik A.S.Sütlüce Karaağaç Cad. No:2-6 34445 Beyoğlu, Istanbul, Turkey).

Conózcenos mejor en nuestra página: www.beko.com Conserve este documento, es importante para usted.

Моля, прочетете първо това ръководство!


Уважаеми клиенти,


Благодарим ви, че закупихте продукт на ВЕКО. Бихме искали да постигнете оптималната ефективност от този висококачествен продукт, произведен с най-съвременна технология. Моля, уверете се, че сте прочели и разбрали това ръководство и допълнителната документация преди употреба и ги запазете за справка в бъдеще. Включете това ръководство с устройството, ако го предавате на някой друг. Спазвайте всички предупреждения и информация посочени тук и следвайте инструкциите.


Имайте предвид, че това ръководство може да се прилага за няколко модела на продукта. Ръководството ясно показва всякакви изменения на различните модели.

Символи и техните значения

Тези символи се използват в цялото ръководство:

	Важна информация и препоръки относно използването на уреда.
---	---

	ВНИМАНИЕ: Предупреждения за телесни наранявания или материални щети.
--	---

	Предупреждение за токов удар,
---	-------------------------------

	Риск от предупреждение за пожар.
---	----------------------------------



Този продукт е произведен в модерни съоръжения, съобразени с околната среда, без вреда върху природата.

Отговаря на Изискванията на WEEE.



Няма включена печатна платка.

1.1 Обща безопасност

Важни инструкции за безопасност Прочетете внимателно и ги запазете за бъдеща справка

Този раздел съдържа инструкции за безопасност, които ще ви помогнат да се защитите от риск от пожар, електрически удар, излагане на утечка от микровълнова енергия; нараняване или повреди на собствеността. Неспазването на инструкциите прави всяка гаранция невалидна.

- Продуктите Веко съответстват на приложимите стандарти за безопасност; ето защо, в случай на повреда по уреда или хранящия кабел, той трябва да бъде ремонтиран или сменен от дилър, сервизен център или специалист и оторизиран сервиз с цел избягване на всякакви опасности. Погрешен или неквалифициран ремонт може да доведе до опасност и риск за потребителя.
- Уредът е предназначен за битова употреба и подобни приложения като:
 - Кухненски зони за персонала в магазини, офиси и други ра-

ботни среди;

- Фермерски къщи
- От клиенти в хотели и други видове жилищни среди,
- Места за нощувка със закуска.
- Използвайте уреда само по предназначение, както е описано в това ръководство.
- Производителят не носи отговорност за повреди в резултат на неправилен монтаж или неправилна употреба на продукта.
- Този уред може да бъде използван от деца над 8 години и лица с ограничени физически, сензорни или умствени способности или такива, без необходимия опит и познания, ако същите са надзиравани или инструктирани относно употребата на уреда по безопасен начин и са наясно със свързаните рискове.
- На децата не трябва да се позволява да играят с уреда. Почистването и поддръжката на уреда не трябва да се извършват от деца без надзора на възрастни.
- Минималното разстояние между носещата повърхност за готварските съдове на котлоните и долната част на Вашия продукт

1 Важни инструкции за безопасност и опазване на околната среда

трябва да бъде най-малко 65 см.

- Ако инструкциите за монтаж на газовия котлон посочват по-голямо разстояние, това трябва да бъде взето под внимание.
- Проверете дали данните за вашето местно електрозахранване отговарят на информацията върху табелката с данни.
- Никога не използвайте уреда, ако захранващият кабел или самия уред е повреден.
- За да избегнете риска от повреда на захранващия кабел, внимавайте да не го притискате, огъвате или търкате в остри ръбове. Дръжте захранващия кабел далеч от нагорещени повърхности и открит пламък.
- Използвайте уреда само със заземени контакти.

ПРЕДУПРЕЖДЕНИЕ: Не свързвайте уреда към електрическата мрежа докато монтажът не е напълно приключил.

- Разположете уреда по такъв начин, че щепселът винаги да е достъпен.
- Не пипайте лампите ако са работили дълго време. Тъй като са горещи, могат да Ви изгорят

ръцете.

- Следвайте наредбите, определени от компетентните органи относно освобождаването на отработения въздух (това предупреждение не се прилага при употреба без вентилационна тръба).
- Работете с Вашия уред след като поставите тенджерата, тиган и т.н. на котлона. В противен случай, топлината може да предизвика деформиране на някои части на Вашия продукт.
- Изключете котлона преди да отстраните тенджерата, тигана и т.н. от него.
- Не оставяйте гореща мазнина на котлона. Тигани с гореща мазнина могат да предизвикат самозапалване.
- Внимавайте с Вашите пердета и покривки, тъй като мазнината може да се възпламени докато приготвяте храна като пържени картофи.
- Филтърът за мазнини трябва да бъде подменян поне веднъж месечно. Филтърът с активен въглен трябва да бъде подменян поне един път на 3 месеца.
- Продуктът трябва да се почиства според инструкциите в ръ-

1 Важни инструкции за безопасност и опазване на околната среда

- ководството за употреба. Ако почистването не е извършено според инструкциите в ръководството за употреба, може да съществува риск от пожар.
- Не използвайте неогнеупорни филтърни материали вместо настоящия филтър.
 - Използвайте само оригинални части или такива, препоръчани от производителя.
 - Не работете с продукта без филтъра и не отстранявайте филтрите, докато продуктът работи.
 - В случай на поява на някакъв пламък, прекъснете захранването на Вашия продукт и на другите готварски уреди.
 - В случай на поява на някакъв пламък, покрийте пламъка и никога не използвайте вода, за да го загасите.
 - Изключвайте уреда преди всяко почистване и когато не го използвате.
 - Отрицателното налягане в околната среда не трябва да превишава 4 Па (4 x 10 бара) докато абсорбаторът за електрически котлон и други уреди работят заедно, захранвани от друг вид енергия, освен електричество.
 - В околната среда, където се използва абсорбатора, отработеният въздух от устройствата, захранвани с газ или течно гориво, като например стайна печка, трябва да бъде напълно изолиран или устройството да бъде от херметически изолиран вид.
 - Когато свързвате към вентилацията, използвайте тръби с диаметър 120 или 150 мм. Тръбната връзка трябва да бъде възможно най-къса и да има възможно най-малък брой чупки.
- Има опасност от задушаване!** Дръжте опаковъчните материали далеч от достъпа на деца.
- ВНИМАНИЕ:** Достъпните части могат да се нагорещят ако се използват заедно с уред за готвене.
- Изходът на продукта не трябва да е свързан с въздухопроводи, в които се извежда друг дим.
 - Вентилацията в стаята трябва да бъде оскъдна, когато абсорбаторът за електрически котлон се използва едновременно с устройства, работещи на газ или други горива (това би могло да не се прилага за уреди, които само освобождават въздуха обратно в стаята).

1 Важни инструкции за безопасност и опазване на околната среда

- Поставените върху продукта предмети може да паднат. Не поставяйте никакви предмети върху уреда.
- не фламбирайте под Вашия уред.

ПРЕДУПРЕЖДЕНИЕ: Преди да монтирате абсорбатора отстранете защитното фолио.

- Не оставяйте висок пламък да гори под абсорбатора когато е включен
- Съдовете в които се пържи с много мазнина трябва да бъдат постоянно следени при употреба: прегрялото олио може да се възпламени.

1.2 Съответствие с директивата WEEE и Изхвърляне на отпадъчните продукти:

Уредът съответства на европейската директива WEEE. (2012/19/EU). Този продукт притежава класификационен символ за отпадъчно електрическо и електронно оборудване (WEEE).



Този символ указва, че продуктът не бива да се изхвърля с други битови отпадъци в края на експлоатационния си живот.

Използваното устройство трябва да бъде върнато в официален пункт за събиране и рециклиране на електрически и електронни устройства. За да откриете тези пунктове за събиране, моля обърнете се към местния орган или търговецът, от който е закупен продуктът. Всяко домакинство играе важна роля във възстановяването и рециклирането на стар уред. Правилното изхвърляне на използвани уреди спомага за предотвратяването на потенциални негативни последици върху околната среда и човешкото здраве.

1.3 Съответствие с Директива RoHS

Закупеният от вас продукт съответства на европейската директива RoHS (2011/65/EU). Не съдържа вредни и забранени материали. Директива.

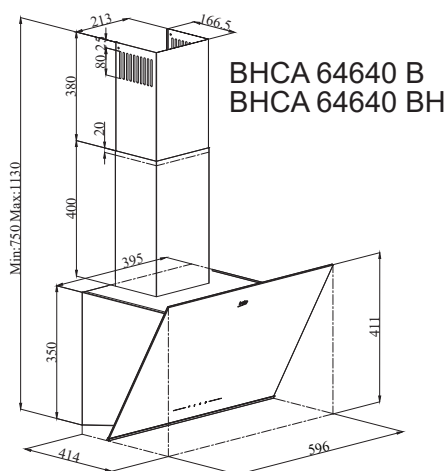
1.4 Информация за опаковката



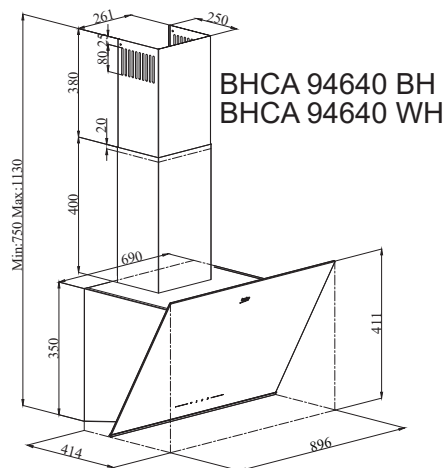
Опаковъчните материали на продукта са произведени от рециклируеми материали в съответствие с нашите Национални наредби за околната среда. Не изхвърляйте опаковъчните материали заедно с битовите и други отпадъци. Отнесете ги в пунктове за събиране на опаковъчни материали, посочени от местните власти .

2 Общ външен вид

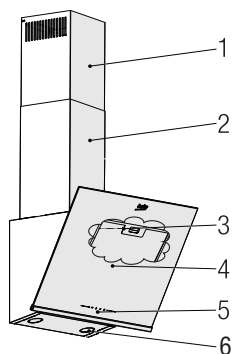
2.1 Преглед



(Фигура 1).



(Фигура 2)



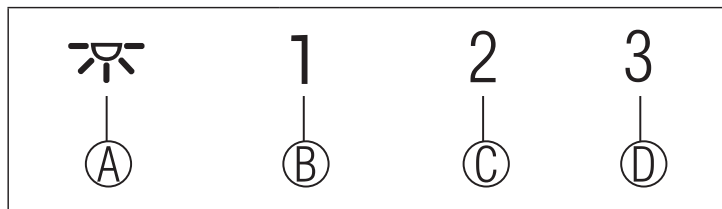
1. Вътрешна тръба
2. Външен димоотвод
3. Алюминиеви Филтри за Масло
(Зад Стъклен Капак)
4. Стъклен Капак
5. Контролен Монтаж
6. Лампа

2.2 Технически данни

Модел	BHCA 64640 B BHCA 64640 BH	BHCA 94640 BH BHCA 94640 WH
Захранващо напрежение	220-240V ~ 50 Hz	
Мощност на лампата	2 x 3 W	
Мощност на двигателя	210 W	
Дебит (m ³ /h) – 3. Ниво	631 m ³ /h	623 m ³ /h
Клас на изолация на електродвигателя	Clase F	
Клас на изолация	Clase I	

3 Функциониране на Уреда

3.1 Управление на Уреда



КЛЮЧ:	ФУНКЦИЯ
(A) : Светлина Вкл. / Изкл.	Можете да осветите зоната за готвене, като натиснете този бутон. - Натиснете този бутон отново, за да включите и изключите лампата.
(B) : 1. По етапен Бутон	Работи с уреда на 1-ва скорост. Когато натиснете отново този бутон, за да изключите уреда, етапът на скоростта на екрана се изключва.
(C) : 2. По етапен Бутон	Работи с уреда на 2-ра скорост. Когато натиснете отново този бутон, за да изключите уреда, етапът на скоростта на екрана се изключва.
(D) : Бутон 3-ти Етап	Работи с уреда на 3-та скорост. Когато натиснете отново този бутон, за да изключите уреда, етапът на скоростта на екрана се изключва.

3.2 Енергоефективна Работа в Условията на Икономия

- Когато използвате вашия уред, регулирайте настройките на скоростта според силата на изпарения и миризма, за да спестите енергия.
- Използвайте ниски скорости (1-2) при нормални условия и високи скорости (3) за интензивна миризма и пара.
- * Лампите на аспиратора са поставени за осветяване на зоната за готвене.

Използването им за осветление на околната среда ще доведе до

ненужни разходи на енергия и недостатъчно осветление.

3.3 Инструкции за експлоатация

- Вашият уред съдържа мотор с различни скорости.
- За по-добри показатели препоръчваме да използвате ниски скорости при нормални условия и високи скорости в случаи на силни мирисми и интензивни пари.
- Можете да стартирате вашия уред, като натиснете бутона за настройка на желаната скорост. (B, C, D)
- Можете да осветите зоната за готвене, като натиснете лампата (A)

3 Функциониране на Уреда

3.4 Автоматично Спиране

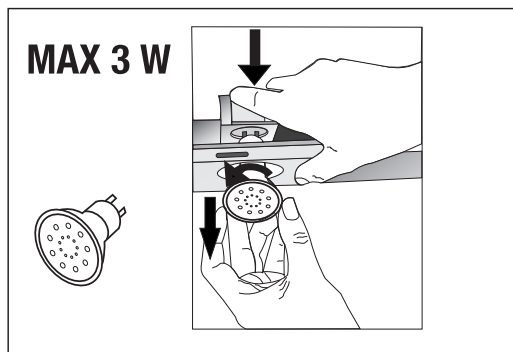
Вашият уред има функция за Автоматично Спиране, позволяваща му да се проветрява за малко по-дълго време и премахва нежеланите миризми и пари вътре в околната среда и автоматично се изключва след приключване на готвенето. За да активирате функцията за Автоматично Спиране, натиснете произволен бутон за степен на скорост (B, C, D) на контролния панел за повече от 2 секунди; 15-минутната функция на таймера ще се активира. Когато функцията за автоматично спиране е активна, натискането на същия бутон за скорост изключва функцията за автоматично спиране и двигателят на уреда ще спре. Тази функция се деактивира, когато превключвате между различни етапи на скоростта.

Ако искате уредът да спре автоматично, трябва да активирате функцията за автоматично спиране отново.

Направете електрическите връзки на уреда. Вашият уред използва 3W точкова LED лампа. За да смените халогенните лампи, натиснете надолу държача на лампата отзад, завъртете го малко по посока обратна на часовниковата стрелка и го извадете надолу. Приложете горната процес в обратен ред, за да инсталирате нови лампи (Фигура 3).

Крушка	
Мощност на Крушката (W)	3
Държач / Фасунга	GZ 10
Напрежение на Крушката (V)	220 - 240
Размер (мм)	53 x 50
ILCOS Код	DR/F3-220-240-GZ10-50-53

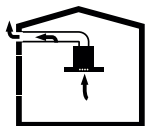
3.5 Подмяна на Лампата



(Фигура 3)

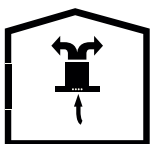
3 Функциониране на Уреда

3.6 Управление чрез Димоотводна Връзка



- Парата се извлича през димоотвода, който се закрепва към свързващата глава на аспиратора.
- Диаметърът на димоотвода трябва да е същият като свързващото ядро. При хоризонтални настройки тръбата трябва да има лек наклон нагоре (около 10°), така че въздухът да излиза лесно от помещението.

3.7 Управление без Димоотводна Връзка



- Въздухът се филтрира през въглеродния филтър и се рециркулира в помещението. Въглеродният филтър се използва, когато е невъзможно да се използва димоотвод в къщата.
- При употреба без димоотвод извадете капачите от димоотводния адаптер.
- Извадете масления филтър. За да инсталирате въглеродния филтър, поставете филтъра върху разделите, като го центрирате върху пластмасовото парче от двете страни на тялото на вентилатора. Затегнете го, като завъртите надясно или наляво.
- Сменете алуминиевия маслен филтър.

4 Почистване и Поддръжка



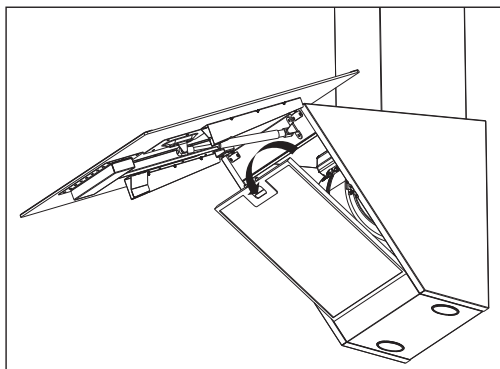
Преди почистване и поддръжка изключете продукта от контакта или го изключете от копчето.



Може да измиете вашите алуминиеви филтри в миялната машина.

4.1 Почистване на Алуминиеви Маслени Филтри

Този филтър задържа маслените частици във въздуха. Алуминиевите маслени филтри могат да променят цвета си, докато се мият; това е нормално и не изисква подмяна на вашите алуминиеви маслени филтри.



(Фигура 4)

- Избутайте ключалката на алуминиевия филтър напред.
- След това го издърпайте леко надолу и го издърпайте (Фигура 4). В противен случай можете да огънете филтъра. Измийте и изплакнете алуминиевите маслени филтри с течен препарат и заменете алуминиевите маслени филтри в техните гнезда, като извършите посочените по-горе стъпки в обратен ред. Този филтър задържа маслените частици във въздуха.

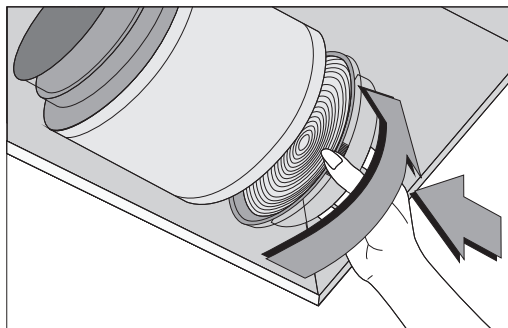


ВНИМАНИЕ

В случай на нормална употреба, почиствайте филтъра веднъж месечно.

4.2 Подмяна на Въглеродни Филтри

Филтрите за отстраняване на мизирми съдържат въглен (Активен въглен). В продукта трябва да бъдат инсталирани маслени филтри, независимо дали се използват или не въглеродни филтри.



(Фиг. 5)

- Извадете алуминиевия маслен филтър (Фигура 4).
- За да премахнете въглеродния филтър, извадете въглеродния филтър от неговия корпус, като го завъртите обратно на часовниковата стрелка от раздела (Фигура 5).

4 Почистване и Поддръжка

- Поставете новия въглероден филтър.
- Поставете алуминиевия маслен филтър.



ВНИМАНИЕ

Карбоновият филтър никога не трябва да се мие.



ВНИМАНИЕ

Сменяйте въглеродните филтри веднъж на всеки 3 месеца.



ВНИМАНИЕ

Можете да закупите въглеродния филтър от оторизирани търговци.

5 Монтиране на Уреда



ВНИМАНИЕ!

Преди да започнете монтажа, прочетете информацията за безопасност в Ръководството за потребителя.



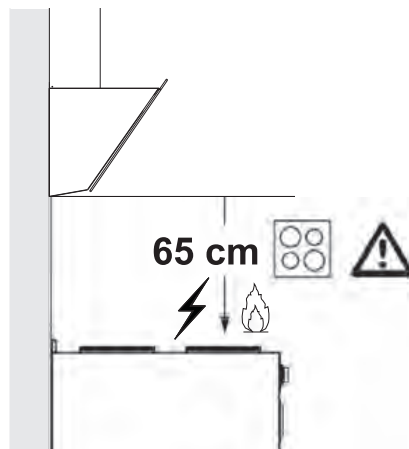
ВНИМАНИЕ!

Ако не извършите монтажа с винтове и стабилизатори в съответствие с тези инструкции, това може да доведе до токов удар.

За монтажа на аспиратора се свържете с най-близкия оторизиран сервиз.

Отговорност на клиента е да подготви местоположението и електрическата инсталация на аспиратора.

5.1 Положение на Уреда

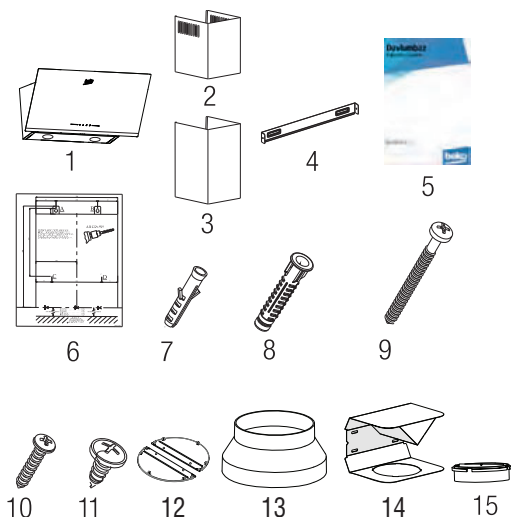


(Фигура 6)

- Преди монтажа трябва да се вземе предвид разстоянието между печката и аспиратора. Това разстояние трябва да бъде 65 см (фиг. 6).
- При газови печки, разстоянието трябва да бъде измерено от повърхността на решетката,
- И от повърхността на стъклото за електрически печки.

5 Монтиране на Уреда

5.2 Монтажни Аксесоари

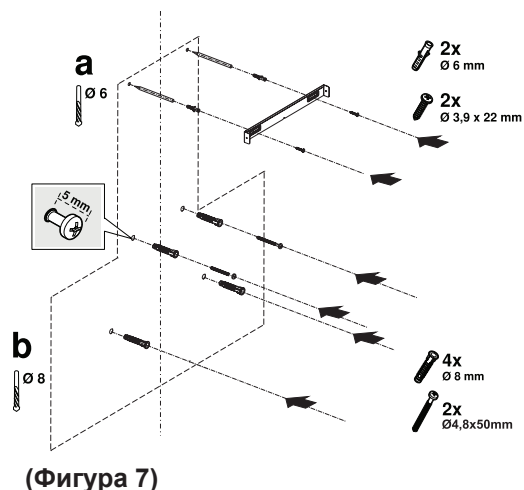


1. Продукт
2. Вътрешна тръба
3. Външен димоотвод
4. Свързваща планка за тръбата
5. Ръководство на потребителя
6. Тип на сглобката
7. 2x Ø6 мм Пластмасов Дюбел
8. 4x Ø8 мм Пластмасов Дюбел
9. 4x 4.8x50 Винт за Стенен Монтаж
10. 2x3,9x22 Винт за Свързващата Планка на Тръбата
11. 4x 3.5x9.5 Винт за Тръбата
12. Скоба за Комин
13. 150/120 мм Пластмасов Адаптер за Димоотвод
14. Въздушна преграда
15. Пластмасов Адаптер (Въздушен Превключвател)

Информацията, необходима, за да се направи местоположението подходящо за монтиране на аспиратора, е дадена по-долу.

5.3 Монтаж на стена

- Стената трябва да е равна, права и да има достатъчна носеща способност.
- Дълбочината на пробитите отвори трябва да съответства на дължината на болтовете.
- Предоставените болтове и дюбели са подходящи за тухлени стени. За други строителни материали (напр. Гипсокартон, плоча, порест бетон) трябва да се използват подходящи фиксиращи дюбели и гайки.



(Фигура 7)

5 Монтиране на Уреда



ВНИМАНИЕ

Преди пробиване се уверете, че няма токови, газови или водопроводни тръби в непосредствена близост до местата на пробиване.

Начертайте линия на средно местоположение от тавана перпендикулярно на долния ръб на аспиратора ().

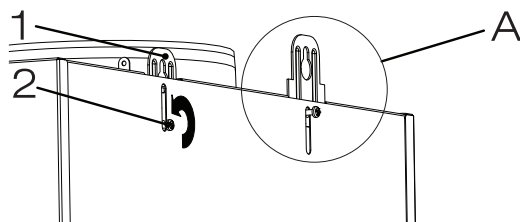
Поставете шаблона за монтаж, предоставен с продукта, върху повърхността, където ще бъде монтиран аспиратора. Извършвайки този процес, спазвайте височината за монтаж на аспиратора (страница 12 / Фигура 6).

В средата на плочата за димоотвода има разделител. Поставете средната точка на този раздел върху линията, която е начертана перпендикулярно на стената. Извършвайки този процес, регулирайте аспиратора според максималната височина (страница 8 / Фигура 1). Маркирайте дупките, където ще бъде монтирана табелата за свързване на димоотвода с помощта на писалка (Фигура 7 / а).

Пробийте маркираните точки с бормашина $\varnothing 6$ мм и вмъкнете 2 пластмасови дюбели в пробитите отвори (Фигура 7 / а). Закрепете димоотводната плоча към стената с винтове 3,9x22 (Фигура 7 / а).

За да сглобите тялото на аспиратора, можете да използвате свредлото $\varnothing 8$ мм, за да пробие точки А, В, С, D върху шаблона за монтаж и да поставите пластмасови дюбели 4.8x50мм в тези точки. (Фигура 7/б).

2 части 4.8x50 винт за окачване с хлабина 5 мм между главата на винта и стената (Фигура 7/б).



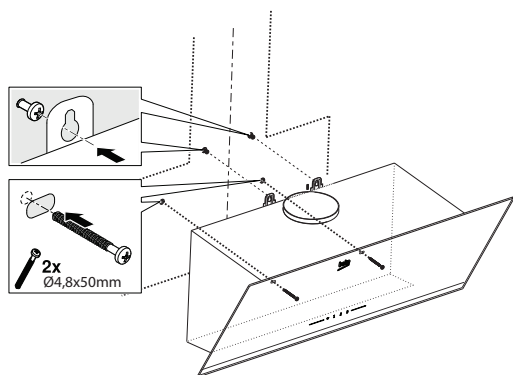
(Фигура 8)

1. Закачане на плочата
2. Винт за свързване на плочата

За да инсталирате аспиратора си към стената, разхлабете винтовете на плочите, монтирани на кабината на двигателя, и ги издърпайте нагоре, след което отново затегнете (Фигура 8 / А).

Включете смукателното стъкло на аспиратора и извадете алуминиевия маслен филтър (страница 11 / Фигура 4).

5 Монтиране на Уреда

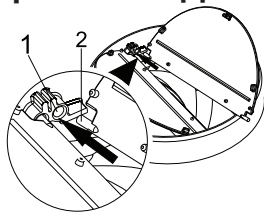


(Фигура 9)

Задръжте аспиратора и го поставете върху монтажните винтове на стената и затегнете винтовете (Фигура 9).

Закрепете аспиратора с два винта 4.8x50 към стената през монтажния отвор от вътрешната страна на уреда (Фигура 9).

5.4 Свързване към Димоотвода



(Фигура 10)

- 1- Гнездо за щифт
- 2- Щифт

Поставете пластмасовия щифт (Фигура 10 / област № 2) върху гнездото на щифта на изпускателния отвор на двигателя (Фигура 10 / област № 1). След това леко огънете клапата, за да поставите другия щифт на клапата и поставете другия щифт към гнездото му (Фигура 10).

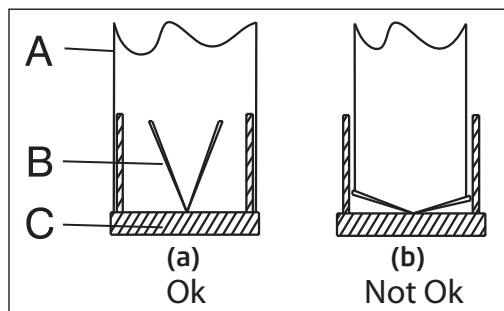
Ако използвате пластмасовия адаптер за димоотвод \varnothing 120/150 мм, свържете единия край на тръбата към този адаптер, ако няма да го използвате, към директния изход на продукта. Свържете другия край на тръбата към вашия димоотвод. Проверете дали тези две връзки са достатъчно стегнати, за да не излязат, когато уредът работи с пълна мощност. Уверете се, че клапите вътре в димоотвода работят, когато са затегнати със скоба. Свържете димоотводния канал извън адаптера (Фигура 11 / а). Ако свързващият канал е монтиран вътре в адаптера, не трябва да се изсмуква въздух, тъй като димоотводът, който предотвратява връщането на въздуха, ще остане затворен (Фигура 11 / б). Дължината на тръбната връзка, както и броят на тръбите трябва да бъде възможно най-малък.

A : Димоотводна изходна тръба

B : Димоотводни скоби

C : Пластмасов димоотвод

Вентилите са затворени, тогава уредът не работи и предотвратява навлизането на външна миризма и прах.

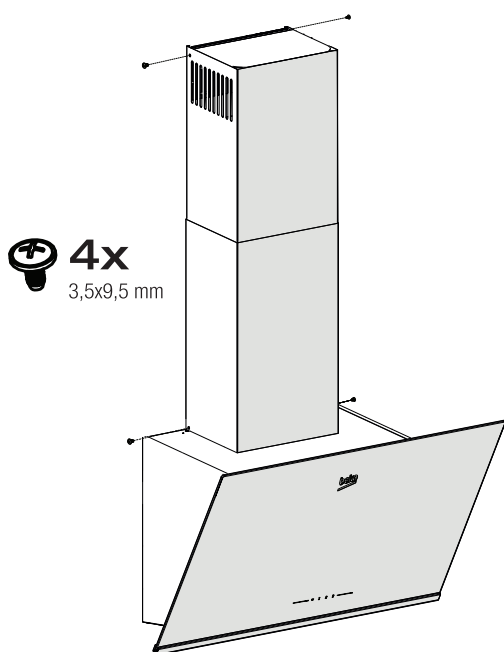


(Фигура 11)

5 Монтиране на Уреда

5.5 Монтаж на Аспиратора към Димоотвода

Направете електрическата връзка на аспиратора, преди да започнете инсталирането на димоотвода. Плъзнете димоотводните плочи около тялото. Прикрепете димоотвода към пластините за закрепване на димоотвода, налични на кабината на двигателя. (Фигура 12). Инсталирайте димоотвода към табелата за закрепване на димоотвода, която е закрепена към стената от горните и външни ръбове (Фигура 12).

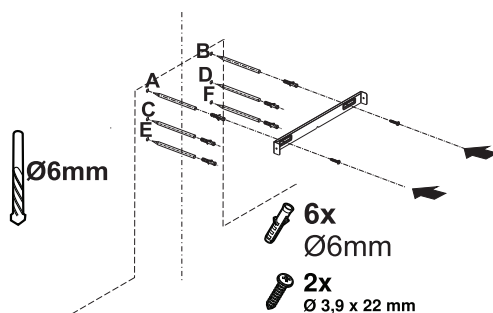


(Фиг. 12)

5.6 Монтаж на Въздушна Преграда

(ВНСА 64640 ВН - ВНСА 94640 ВН - ВНСА 94640 ВН)

Докато използвате с въглеродния филтър, с вашия уред се осигурява въздушна преграда с цел да освободите въздуха, който се почиства с въглероден филтър от перфорирания, разположен на димоотвода. Сглобете въздушната преграда както е показано по-долу.



(Фиг. 13)

В средата на плочата за димоотвода има разделител. Поставете средната точка на този раздел върху линията, която е начертана перпендикулярно на стената. Подравнете хоризонтално и маркирайте отворите с химикалка, където ще бъде монтирана свързващата плоча (Фигура 13 / А, В).

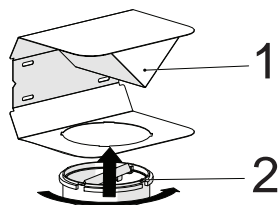
Пробийте маркираните точки с бормашина $\text{Ø}6$ мм и вмъкнете две $\text{Ø}6$ мм пластмасови дюбели в пробитите отвори (Фигура 13 / а).

Закрепете димоотводната плоча към стената с винтове 3.9x22 (Фигура 13 / А, В).

5 Монтиране на Уреда

За монтажа на въздушната преграда, пробийте точки C, D, E, F със свредло Ø6 мм и поставете пластмасовите дюбели Ø6 мм (Фигура 13).

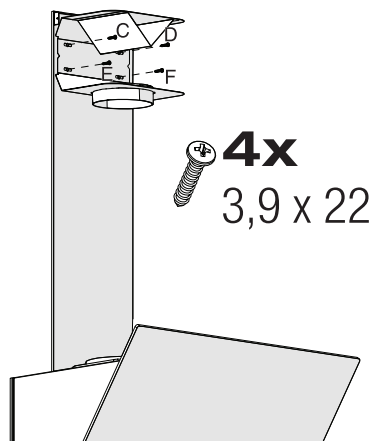
Сглобете тялото на аспиратора (Страница 14 / Фигура 9).



(Фигура 14)

- 1- Въздушна преграда
- 2- Пластмасов димоотвод

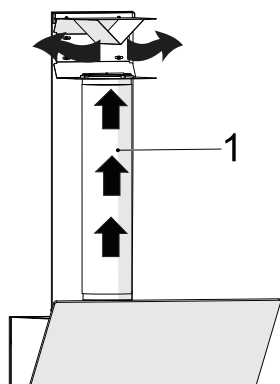
Прикрепете пластмасовия адаптер за димоотвода, който е включен в пакета, по посока на въздушната преграда. Закрепете димоотводния адаптер, като го завъртите в посоката на стрелката (Фигура 14).



(Фиг. 15)

Сглобете групата на въздушната преграда с 3,9 x 22 винта от точки C, D, E, F, които вече сте подготвили (Фигура 15).

5 Монтиране на Уреда



(Фиг. 16)

1- Алюминиева Тръба за Изпускане на Въздух

Сглобете тръбата за изпускане на въздух (Фигура 16).



Тъй като усукването и огъването в алуминиевата тръба ще доведе до намаляване на всмукателната мощност, избягвайте усукването и огъването, доколкото е възможно.

Поставете дымоотводите на аспиратора (Страница 14 / Фигура 9)

Отстраняване на неизправности	Първопричина	Помощ
Уредът не работи.	Проверете предпазителите си.	Възможно е предпазителят да бъде раздут, прегледайте и го възстановете.
Уредът не работи.	Проверете електрическата връзка.	Главното напрежение трябва да бъде между 220 и 240 V.
Уредът не работи.	Проверете електрическата връзка.	Проверете дали работи друг уред във вашата кухня.
Осветлението не работи.	Проверете електрическата връзка.	Главното напрежение трябва да бъде между 220 и 240 V.
Осветлението не работи.	Проверете превключвателя на лампата.	Ключът на лампата трябва да е в позиция "on" (вкл.).
Осветлението не работи.	Проверете лампите.	Лампите на уреда трябва да светят.
Входът на въздуха на уреда е недостатъчен.	Проверете алуминиевия филтър.	При нормални работни условия алуминиевият маслен филтър се почиства поне веднъж месечно.
Входът на въздуха на уреда е недостатъчен.	Проверете въздуха към димоотвода.	Димоотводът трябва да бъде във "включено" положение.
Входът на въздуха на уреда е недостатъчен.	Проверете въглеродния филтър.	При продукти, които работят с въглеродни филтри, въглеродният филтър трябва да се подменя веднъж на всеки 3 месеца при нормални условия на работа.

Prvo pročitajte ovaj vodič!





Dragi kupci,

Hvala vam što ste odabrali BEKO proizvod. Želimo da postignete optimalnu efikasnost ovog visokokvalitetnog proizvoda koji je proizveden uz primjenu vrhunske tehnologije. Obavezno je pročitati i potpuno razumjeti ovaj vodič i dodatnu dokumentaciju prije upotrebe, i isti čuvati za naknadne upute. Ne odvajajte ovaj vodič od jedinice ako želite da je predate nekom drugom licu. Pridržavajte se svih upozorenja i informacija datim ovdje i slijedite upute.

Imajte na umu da se ovaj korisnički vodič može primjenjivati na nekoliko modela proizvoda. Vodič jasno ukazuje na bilo kakve varijacije kod različitih modela.

Simboli i njihova značenja

Dolje navedeni simboli su upotrijebljeni u ovom vodiču:

	Važne informacije i preporuke u vezi s korištenjem uređaja.
	OPREZ: Upozorenja na lične povrede ili oštećenje imovine.
	Upozorenje za električni udar,
	Opasnost od požara.



Ovaj je proizvod proizveden u modernim objektima u kojima se postupa na ekološki prihvatljiv način bez nanošenja štete prirodi.

U skladu je s WEEE regulativom.



Nema tiskane pločice (PCB - printed circuit board)

1 Važne sigurnosne upute i upute za zaštitu životne sredine

1.1 Opšta sigurnost

Važne upute u vezi sa sigurnošću pažljivo pročitajte i i sačuvajte ih za buduću upotrebu. Ovaj odjeljak sadrži upute u vezi sa sigurnošću koje će vam pomoći u zaštiti od opasnosti od požara, strujnog udara, izloženosti curenju mikrotalasne energije, ličnih povreda ili oštećenja imovine. Nepoštovanje ovih uputa poništava odobrenu garanciju.

- Beko proizvodi su u skladu s važećim sigurnosnim standardima; prema tome, u slučaju bilo kakvih oštećenja na uređaju ili kablu za napajanje, iste treba da popravi ili zamijeni prodavač, servisni centar ili stručno lice i ovlašćeni servis kako bi se izbjegla bilo kakva opasnost. Neispravni ili nekvalifikovani radovi na popravci mogu biti opasni i mogu dovesti do opasnosti po korisnika.
- Ovaj uređaj je namijenjen za upotrebu u domaćinstvima i sličnim objektima kao što su:
 - prostori kuhinje za zaposlenike u trgovinama, uredima i drugim radnim okruženjima;
 - kuće na farmama,
 - seoske kuće i za goste u hotelima, motelima i drugim objektima za smještaj;
 - objekti koji nude prenoćište i doručak,
- Upravlajte uređajem prema predviđenoj namjeni samo kako je opisano u ovom priručniku.
- Proizvođač ne može biti odgovoran za štetu nastalu nepropisnom ugradnjom ili zloupotrebom proizvoda.
- Ovaj uređaj mogu koristiti djeca od 8 godina i starija, i osobe sa ograničenim fizičkim, čulnim ili mentalnim sposobnostima, osobe koje nemaju dovoljno znanja ili iskustva ako su pod nadzorom ili su im date upute koje se tiču upotrebe uređaja na siguran način i opasnosti koje uređaj uključuje.
- Djeca se ne smiju igrati s uređajem. Čišćenje i održavanje od strane korisnika ne smiju obavljati djeca ukoliko nisu pod nadzorom.
- Minimalna udaljenost između noseće površine posuda za kuvanje na ploči za kuvanje i najnižeg dijela vašeg proizvoda mora biti najmanje 65 cm.
- Ako je uputama za ugradnju plinske ploče definisana veća udaljenost, to se mora uzeti u obzir.
- Vaše mrežno napajanje strujom mora biti u skladu sa informacijama na pločici na uređaju.
- Nikada ne koristite uređaj ako je kabl za napajanje ili sam uređaj oštećen.
- Spriječite oštećenje kabla za napajanje tako što ga nećete stiskati, savijati ili trljati po ostrim ivicama. Držite kabl za napajanje dalje od vrućih površina i izvora plamena.
- Uređaj koristite samo sa uzemljenom utičnicom.

1 Važne sigurnosne upute i upute za zaštitu životne sredine

UPOZORENJE: Ne priključujte uređaj na napajanje prije potpune ugradnje uređaja.

- Postavite uređaj na način da utikač bude uvijek dostupan.
- Ne dirajte lampe ako su dugo radile. Mogu vam stvoriti opekotine na rukama jer će biti zagrijane.
- Pridržavajte se propisa koji su utvrdili nadležni organi o ispuštu izduvnog vazduha (ovo upozorenje nije primjenljivo na uporabu bez dimnih gasova).
- Uključite uređaj nakon što stavite lonac, tavu itd. na ploču za kuvanje. U suprotnom, velika toplota može prouzrokovati deformacije u nekim djelovima vašeg proizvoda.
- Isključite ploču prije nego što sa nje sklonite lonac, tavu itd.
- Ne ostavljajte vruće ulje na ploči za kuvanje. Posude sa vrućim uljem mogu izazvati samo-sagorijevanje.
- Obratite pažnju na zavjese i prekrivače, jer se ulje može zapaliti dok spremate hranu kao što je pomfrit.
- Filter za masnoće treba zamijeniti najmanje jednom mjesečno. Karbonski filter se mora zamijeniti najmanje jednom u svaka 3 mjeseca.
- Proizvod se čisti u skladu sa korisničkim priručnikom. Ako čišćenje nije izvršeno u skladu s korisničkim priručnikom, može doći do opasnosti od požara.

- Ne koristite materijale za filtriranje koji nisu otporni na vatru umjesto trenutnog filtera.
- Koristite samo originalne djelove ili djelove koje je preporučio proizvođač.
- Ne koristite proizvod bez filtera i ne uklanjajte filtere dok je proizvod u funkciji.
- U slučaju pojave plamena, isključite vaš proizvod i uređaje za kuvanje sa napajanja električnom energijom.
- U slučaju pojave plamena, prekrijte plamen i nikada ne koristite vodu za gašenje.
- Isključite uređaj sa napajanja prije svakog čišćenja i kada uređaj ne koristite.
- Negativni pritisak u okolini ne bi trebalo da pređe 4 Pa (4 x 10 bara) dok istovremeno rade aspirator za električnu ploču i uređaji koji rade na drugoj vrsti energije osim struje.
- U okruženju u kojem se koristi uređaj, ispustni otvor uređaja koji rade na lož-gorivo ili plin, kao što su sobni grijači, mora biti apsolutno izolovan ili uređaj treba da bude hermetičnog tipa.
- Pri povezivanju odvodne cijevi koristite cijevi prečnika 120 ili 150 mm. Priključak cijevi mora biti što kraći i imati što je moguće manje prelamanja.

Opasnost od gušenja! Sve materijale za pakiranje držite dalje od djece.

OPREZ: Pristupačni djelovi se mogu zagrijati kada se koriste sa uređajima za kuvanje.

- Izlazni otvor proizvoda ne smije biti povezan

1 Važne sigurnosne upute i upute za zaštitu životne sredine

sa vazдушnim kanalima koji sprovode drugu vrstu dima.

- Ventilacija u prostoriji može biti nedovoljna kada se aspirator za električnu ploču koristi istovremeno sa uređajima koji rade na plin ili druga goriva (ovo možda nije primjenljivo na uređaje koji samo dovode vazduh u prostoriju).
- Predmeti stavljeni na proizvod mogu pasti. Ne stavljajte nikakve predmete na proizvod.
- Ne flambirajte hranu ispod proizvoda.

UPOZORENJE: Prije ugradnje aspiratora uklonite zaštitne folije.

- Nikada ne ostavljajte visoko otvoren plamen ispod aspiratora dok je isti u funkciji.
- Friteze sa dubokim uljem moraju se neprestano nadgledati tokom upotrebe: pregrijano ulje može da plane.

1.2 Usklađenost s direktivom WEEE i Odlaganjem otpadnog proizvoda:

Ovaj proizvod je usklađen s Direktivom EU WEEE (2012/19/EU). Ovaj proizvod nosi simbol

klasifikacije za odlaganje električne i elektronske opreme (WEEE).



Ovaj simbol označava da ovaj proizvod ne treba odlagati sa ostalim otpadom iz domaćinstva na kraju vijeka upotrebe. Korišćeni uređaj mora se vratiti u službeno zbirno

mjesto za recikliranje električnih i elektronskih uređaja. Da biste pronašli ove sisteme za prikupljanje, obratite se lokalnim nadležnim organima ili prodavcu kod kojeg je proizvod kupljen. Svako domaćinstvo ima važnu ulogu u obnovi i recikliranju starih uređaja. Odgovarajuće odlaganje korišćenog aparata pomaže u sprječavanju potencijalnih negativnih posljedica po životnu sredinu i zdravlje ljudi.

1.3 Usklađenost sa RoHS direktivom:

Proizvod koji ste kupili je usklađen s Direktivom EU RoHS (2011/65/EU). On ne sadrži

štetne i zabranjene materijale navedene u Direktivi.

1.4 Informacija o ambalaži

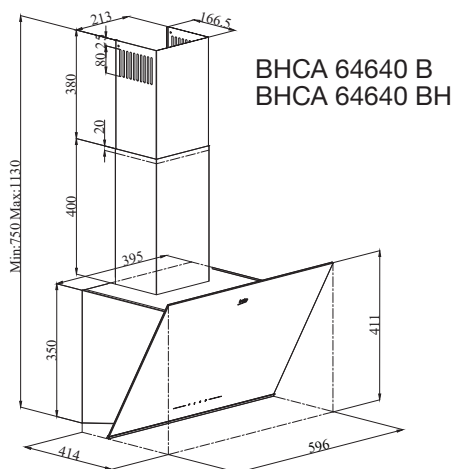


Ambalaža proizvoda je proizvedena od sekundarnih sirovina u skladu s našim nacionalnim

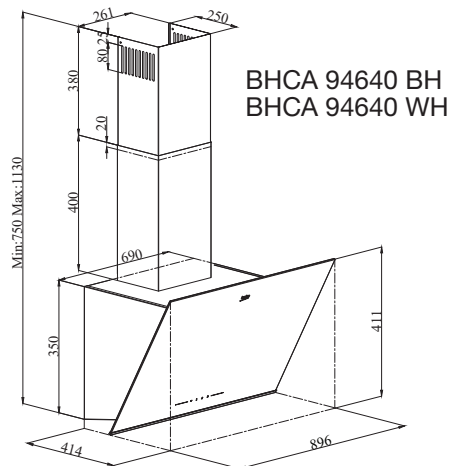
propisima za zaštitu okoliša. Ne bacajte ambalažu zajedno s otpadom iz domaćinstva ili drugim otpadom. Odnosite je do sabirnih centara za ambalažu koje su odredili lokalni nadležni organi..

2 Opšti izgled

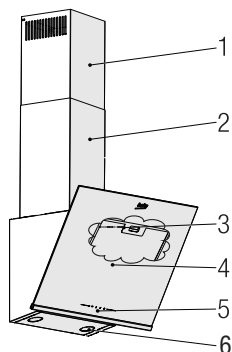
2.1 Prikaz



(Slika 1)



(Slika 2)



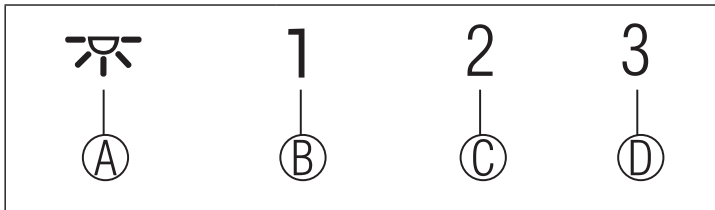
1. Unutarnji dimnjak
2. Vanjski dimnjak
3. Aluminijski filtri za masnoću
(iza staklenog poklopca)
4. Stakleni poklopac
5. Upravljački sklop
6. Lampica

2.2 Tehnički podaci

Model	BHCA 64640 B BHCA 64640 BH	BHCA 94640 BH BHCA 94640 WH
Napon napajanja	220-240V ~ 50 Hz	
Snaga lampice	2 x 3 W	
Snaga motora	210 W	
Brzina protoka (m ³ /h) – 3. Nivo	631 m ³ /h	623 m ³ /h
Klasa izolacije motora	Klasa F	
Klasa izolacije	Klasa I	

3 Rukovanje uređajem

3.1 Kontrola uređaja



TIPKA	FUNKCIJA
(A) : Uključeno/ Isključeno svjetlo	Možete osvijetliti površinu za kuvanje pritiskom na ovaj gumb. Ponovno pritisnete gumb da biste isključili lampicu.
(B) : 1. Gumb za Stupanj	Upravlja uređajem u 1. brzini. Kad ponovno pritisnete ovo dugme za isključivanje uređaja, isključuje se stupanj brzine na zaslonu.
(C) : 2. Gumb za Stupanj	Upravlja uređajem u 2. brzini. Kad ponovno pritisnete ovo dugme za isključivanje uređaja, isključuje se stupanj brzine na zaslonu.
(D) : Gumb za 3. stupanj	Upravlja uređajem u 3. brzini. Kad ponovno pritisnete ovo dugme za isključivanje uređaja, isključuje se stupanj brzine na zaslonu.

3.2. Energetski učinkovit rad u smislu uštede Energija Upotreba

- Kad koristite uređaj, podesite postavke brzine prema intenzitetu pare i mirisa, da biste uštedjeli energiju.
- Koristite niske brzine (1-2) u normalnim uvjetima, a velike brzine (3) za intenzivan miris i isparavanje.
- * Lampice na aspiratoru su postavljene za osvijetljavanje područja kuhanja.

Njihova upotreba za osvijetljenje okoliša uzrokovat će nepotrebne troškove energije i nedovoljno osvijetljenje.

3.3 Instrukcije za rad

- Vaš uređaj ima motor s različitim brzinama.
- Za bolje performanse preporučujemo upotrebu niskih brzina u normalnim uvjetima i velike brzine u slučaju jakih mirisa i intenzivne pare.
- Uređaj možete pokrenuti pritiskom na gumb

za podešavanje željene brzine. (B, C, D)

- Područje za kuhanje možete osvijetliti pritiskom na lampicu (A).

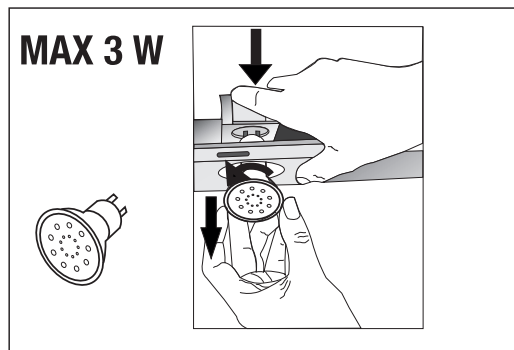
3.4 Automatsko zaustavljanje

Vaš uređaj ima funkciju automatskog zaustavljanja, što mu omogućava da se ventilira još malo i ukloni neželjene mirise i paru iz okoline i automatski se isključi nakon završetka kuhanja. Da biste omogućili funkciju automatskog zaustavljanja, pritisnite gumb za bilo koji stupanj brzine (B, C, D) na upravljačkoj ploči duže od 2 sekunde; aktivira se značajka 15-minutnog mjeraca vremena. Kada je aktivna funkcija automatskog zaustavljanja, pritiskom na gumb za istu brzinu onemogućit će se funkcija automatskog zaustavljanja i motor uređaja će se zaustaviti. Ova se značajka onemogućava kad prebacate između različitih stupnjeva brzine.

Ako želite da se uređaj automatski zaustavi, morate ponovno omogućiti značajku automatskog zaustavljanja.

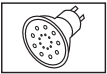
3 Rukovanje uređajem

3.5 Zamjena lampice

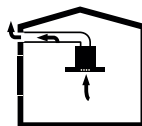


(Slika 3)

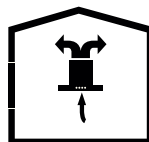
Priključite uređaj na električnu mrežu. Vaš uređaj koristi direktne LED lampice od 3W. Za zamjenu lampica gurnite držač sa stražnje strane odozdo prema dolje, okrenite ga u smjeru suprotnom od kazaljke na satu i izvadite ga prema dolje. Primijenite navedenu operaciju obrnutim postupkom da biste ugradili nove lampice (Slika 3).

Sijalica	
Snaga sijalice (W)	3
Držač/utičnica	GZ 10
Napon sijalice (V)	220 - 240
Veličina (mm)	53 x 50
ILCOS kod	DR/F3-220-240-GZ10-50-53

3.6 Rad s priključkom na dimnjak



- Para se odvodi kroz dimovodni kanal, koji je pričvršćen na priključnu glavu na aspiratoru.
- Promjer dimovodnog kanala mora biti isti kao i priključni prsten. U horizontalnim postavkama cijev mora imati blagi nagib prema gore (oko 10°) da bi zrak mogao lako izaći iz prostorije.



3.7 Rad bez priključka na dimnjak

- Zrak se filtrira kroz karbonski filter i recirkulira u prostoriji. Karbonski filter koristi se kada nije moguće koristiti dimnjak u kući.
- U slučaju upotrebe bez dimnjaka, uklonite zaklopke unutar adaptera za dimnjak.
- Skinite filter za masnoću. Da biste ugradili karbonski filter, filter namjestite na jezičke tako što ćete ga centrirati na plastični komad s obje strane kućišta ventilatora. Zategnite ga okretanjem udesno ili ulijevo.
- Zamijenite aluminijski filter za masnoću.

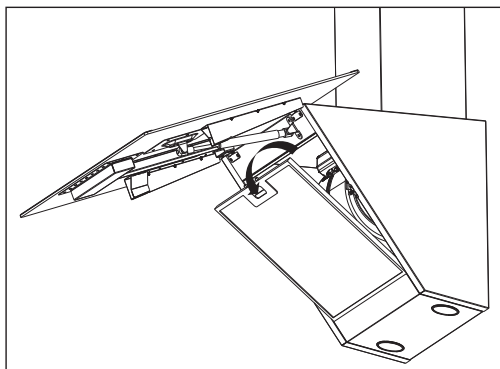
4 Čišćenje i održavanje



Prije čišćenja i održavanja, isključite proizvod s napajanja ili isključite prekidač.

4.1 Čišćenje aluminijskih filtera za masnoću

Ovaj filter sakuplja čestice masnoće u vazduhu. Aluminijski filteri za masnoću mogu promijeniti boju prilikom pranja; to je normalno i ne zahtijeva zamjenu vaših aluminijskih filtera za masnoću.



(Slika 4)

- Gurnite bravu aluminijskog filtera za masnoću prema naprijed.
- Zatim je lagano povucite prema dolje i izvucite je (Slika 4). U suprotnom možete saviti filter. Operite i isperite aluminijske filtere za masnoću tečnim deterdžentom i vratite aluminijske filtere za masnoću na njihova mjesta izvodeći gore navedene korake obrnutim redoslijedom. Ovaj filter sakuplja čestice masnoće u vazduhu.



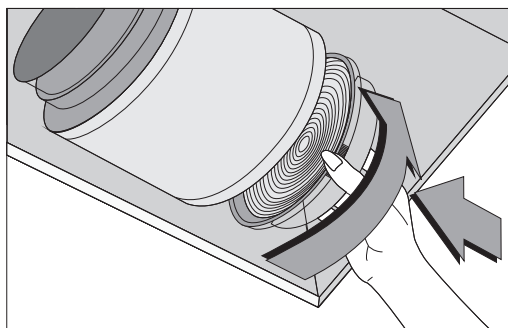
Takođe možete oprati aluminijske filtere za masnoću u mašini za pranje posuđa.



OPREZ
U slučaju normalne upotrebe, očistite filter jednom mjesečno.

4.2 Zamjena karbonskih filtera

Filteri za uklanjanje mirisa sadrže ugljen (aktivni ugljen). U proizvodu moraju biti ugrađeni filteri za masnoću, bez obzira na to upotrebljavate li karbonske filtre ili ne.



(Slika 5)

- Uklonite aluminijske filtere za masnoću (Slika 4).
- Da biste uklonili karbonski filter, izvadite ga iz njegovog kućišta tako da ćete ga okrenuti u smjeru suprotnom od kazaljke na satu (Slika 5).
- Ugradite novi karbonski filter.
- Ugradite aluminijske filtere za masnoću.



OPREZ

Karbonski filter nikada se ne pere.



OPREZ

Zamijenite karbonske filtre jednom svaka 3 mjeseca.



OPREZ

Karbonski filter možete nabaviti od ovlaštenih servisa.

5 Ugradnja uređaja



UPOZORENJE!

Prije započinjanja ugradnje pročitajte sigurnosne informacije u korisničkom priručniku.



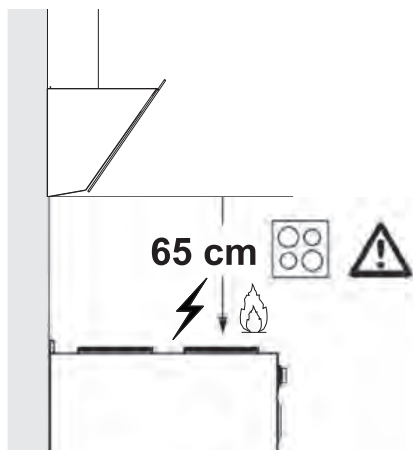
UPOZORENJE!

Ako ugradnju ne izvršite s vijcima i uređajima za pričvršćivanje u skladu s ovim uputama, može doći do opasnosti od električnog udara.

Za ugradnju aspiratora obratite se najbližem ovlaštenom servisu.

Korisnik je odgovoran da pripremi lokaciju i električnu instalaciju za aspirator.

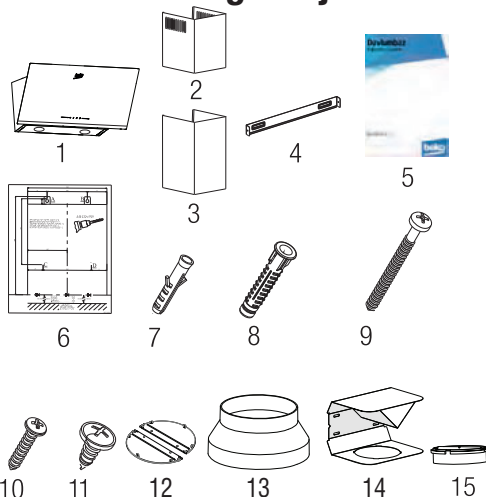
5.1 Položaj uređaja



(Slika 6)

- Prije montiranja mora se uzeti u obzir udaljenost između štednjaka i aspiratora. Ta udaljenost treba biti 65 cm (Slika 6).
- Udaljenost se mora mjeriti od površine rešetke za plinske štednjake,
- od površine stakla za električne štednjake.

5.2 Pribor za ugradnju



1. Proizvod
2. Unutarnji dimnjak
3. Vanjski dimnjak
4. Ploča za priključak na dimnjak
5. Uputstvo za upotrebu
6. Obrazac montaže
7. 2x Ø6mm plastični klip
8. 4x Ø8mm plastični klip
9. 4x 4.8x50 ijak za zidnu montažu
10. 2x 3,9x22 vijak za ploču za priključak na dimnjak
11. 4x 3.5x9.5 vijak za priključak na dimnjak
12. Stezaljka za dimnjak
13. 150/120mm adapter za plastični dimnjak
14. Zračna pregrada
15. Plastični adapter (diverter zraka)

Informacije potrebne za pripremu lokacije prikladne za postavljanje aspiratora date su u nastavku.

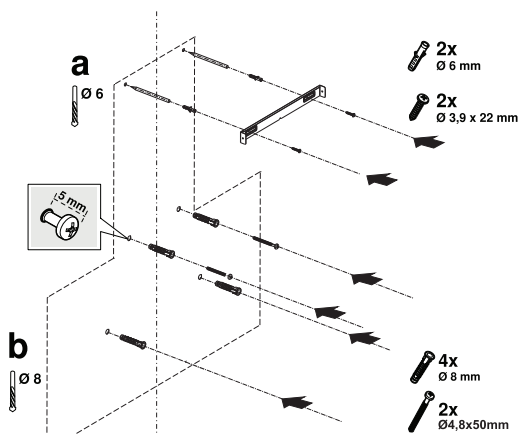
5.3 Montaža na zid

- Zid mora biti ravan, prav i imati dovoljnu nosivost.
- Dubina rupa za bušenje mora biti u

5 Ugradnja uređaja

skladu s dužinom vijka.

- Isporučeni vijci i klipovi prikladni su za zidove od opeke. Za drugi građevinski materijal (npr. gipsani zid, ploča, porozni beton) koriste se odgovarajući učvršćivački klipovi i matice.



(Slika 7)

OPREZ

Prije bušenja osigurajte da u neposrednoj blizini mjesta bušenja nema struje, plina ili vode.

Nacrtajte središnju liniju sa stropa okomito na donji rub aspiratora ().

Zalijepite predložak za postavljanje koji se nalazi unutar pribora na površinu na koju treba montirati aspirator. Pri tom postupku, vodite računa o visini na kojoj ćete montirati aspirator (Strana 12 / Slika 6).

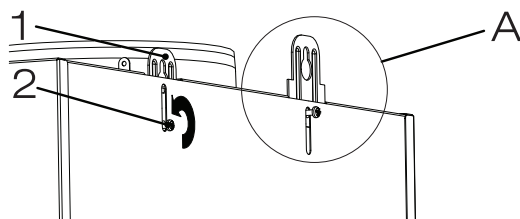
Na sredini ploče za priključak na dimnjak nalazi se jezičak. Srednju točku tog jezička postavite na liniju koja je nacrtana okomito na zid. Pri tom postupku, podesite aspirator prema maksimalnoj visini (Strana 8 / Slika 1). Pomoću olovke označite rupe

na kojima će se montirati priključna ploča dimnjaka (Slika 7/a).

Izbušite označene tačke bušilicom od Ø6 mm i umetnite dva plastična klipa od u izbušene rupe (Slika 7/a). Ugradite ploču za priključak na dimnjak na zid s vijcima 3,9x22 (Slika 7/a).

Da biste sastavili kućište haube, možete koristiti bušilicu od Ø8 mm za bušenje tačaka A, B, C, D na predlošku za montažu, i na ove tačke umetnuti plastične klipove dimenzija 4,8x50 mm. (Slika 7/b).

Ugradite 2 komada montažnih vijaka od 4,5x50 na tačke C i D s razmakom od 5 mm između glave vijka i zida (Slika 7).



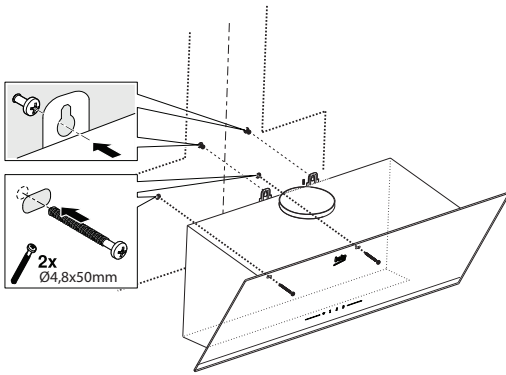
(Slika 8)

1. Viseća ploča
2. Vijak za pričvršćivanje viseće ploče

Da biste aspirator ugradili na zid, otpustite vijke na visećim pločama montiranim na kabini motora i povucite ih nagore, a zatim ponovo pričvrstite (Slika 8 / A).

Uključite usisno staklo aspiratora i uklonite aluminijski filter za masnoću (Strana 11 / Slika 4).

5 Ugradnja uređaja

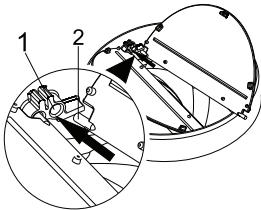


(Slika 9)

Držite aspirator za štednjak za njegovo kućište i stavite ga na montažne vijke na zidu i pritegnite vijke (Slika 9).

Pričvrstite aspirator za štednjak s vijkom od 4,8x50 na zid kroz otvor za montažu s unutarnje strane uređaja (Slika 9).

5.4 Priključak na dimnjak



(Slika 10)

- 1- Fasung zaklopke
- 2- Zaklopka

Umetnite plastičnu iglu (Slika 10 / područje br. 2) u fasung zaklopke na izduvu motora (Slika 10 / područje br. 1). Zatim lagano savijte zaklopku da biste umetnuli drugu iglu na zaklopku i umetnite drugu iglu u njen fasung (Slika 10).

Ako namjeravate koristiti adapter za plastični dimnjak od \varnothing 120/150 mm, spojite jedan kraj cijevi na ovaj adapter, a ako ga nećete

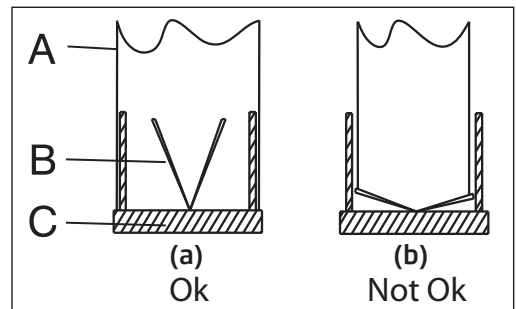
koristiti, onda na izravni izlaz na proizvodu. Spojite drugi kraj cijevi na dimnjak. Provjerite jesu li ova dva priključka dovoljno čvrsta da se ne raskače kada uređaj bude radio punom snagom. Vodite računa da zaklopke unutar dimnjaka rade kada se stegnu stezaljkom. Spojite kanal priključka na dimnjak izvan adaptera (Slika 11/a). Ako je priključni kanal ugrađen unutar adaptera, usisavanje zraka se neće dogoditi jer će dimovodni otvor koji sprječava povrat zraka ostati zatvoren (Slika 11/b). Duljina cijevnog priključka mora biti što je moguće kraća, a broj zglobova cijevi manji.

A : Izlazna cijev dimnjaka

B : Stezaljke dimnjaka

C: Plastični dimnjak

Ventili su zatvoreni kada uređaj ne radi te sprječavaju da mogući vanjski miris i prašina ulaze spolja.



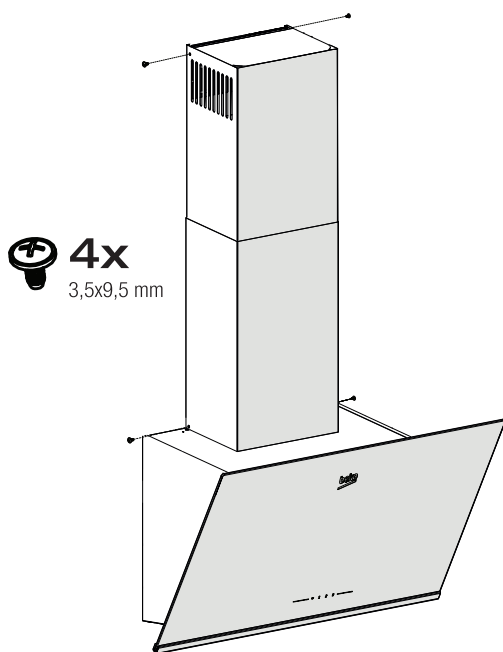
(Slika 11)

5 Ugradnja uređaja

5.5 Ugradnja aspiratora na dimnjak

Prije nego što započnete ugradnju dimnjaka, obezbijedite električni priključak za aspirator. Gurnite ploče dimnjaka oko kućišta aspiratora. Privijte dimnjak na pričvrstne ploče dimnjaka dostupne na kabini motora. (Slika 12).

Ugradite dimnjak na pričvrstnu ploču dimnjaka koja je pričvršćena za zid s gornjih vanjskih ivica (Slika 12).

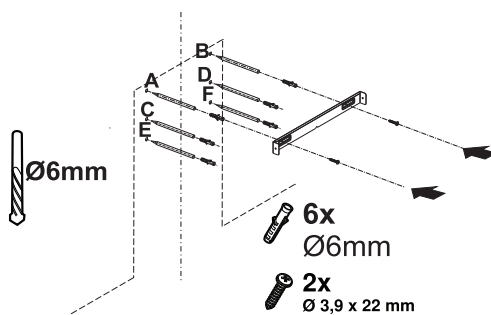


(Slika 12)

5.6 Ugradnja zračne pregrade

(BHCA 64640 BH - BHCA 94640 BH - BHCA 94640 WH)

U slučaju korištenja s karbonskim filtrom, zračna pregrada isporučuje se s vašim uređajem s ciljem oslobađanja zraka koji se očišćuje karbonskim filtrom iz perforiranog prostora na dimnjaku. Montirajte zračnu pregradu kako je dato u nastavku.



(Slika 13)

Na sredini ploče za priključak na dimnjak nalazi se jezičak. Srednju točku tog jezička postavite na liniju koja je nacrtana okomito na zid. Poravnajte horizontalno i označite rupe na kojima će se priključna ploča montirati (Slika 13 / A, B).

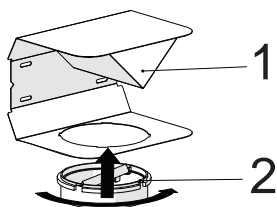
Izbušite označene tačke bušilicom od Ø6 mm i umetnite dva plastična klipa od Ø6mm u izbušene rupe (Slika 13 / A, B).

Pričvrstite ploču priključka za dimnjak na zid vijcima 3,9x22 (Slika 13 / A, B).

Za montažu zračne pregrade, izbušite tačke C, D, E, F s bušilicom od Ø6mm i umetnite plastične klipove od Ø6mm (Slika 13).

Montirajte kućište aspiratora (Strana 14 / Slika 9).

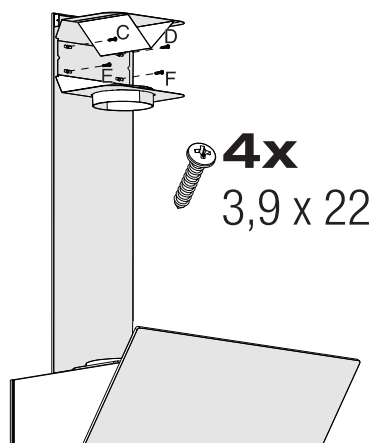
5 Ugradnja uređaja



(Slika 14)

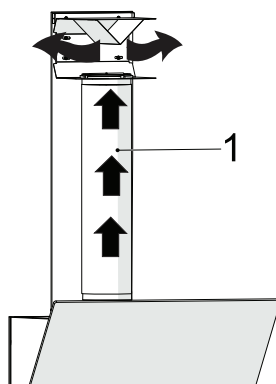
- 1- Zračna pregrada
- 2- Plastični dimnjak

Pričvrstite adapter za plastični dimnjak, koji se nalazi u pakovanju, u smjeru zračne pregrade. Zaključajte adapter dimnjaka okrećući ga u smjeru strelice (Slika 14).



(Slika 15)

Sastavite grupu zračnih pregrada s vijcima 3,9 x 22 iz točke C, D, E, F koju ste već pripremili (Slika 15).



(Slika 16)

- 1- Aluminijska cijev za odvod zraka
- Napravite sklop cijevi za odvod zraka (Slika 16).



Budući da će prelamanja i savijanja aluminijske cijevi dovesti do smanjenja snage usisavanja zraka, izbjegavajte koristiti prelome i zavoje što je više moguće.

Ugradite dimnovodne ploče na aspirator (Strana 14 / Slika 9)

6 Rješavanje problema

Rješavanje problema	Izvorni razlog	Pomoć
Uređaj ne radi.	Provjerite osigurače.	Možda je osigurač pregorio, provjerite i vratite ga.
Uređaj ne radi.	Provjerite priključak na napajanje električnom energijom.	Napon mreže mora biti između 220 i 240 V.
Uređaj ne radi.	Provjerite priključak na napajanje električnom energijom.	Provjerite rade li drugi uređaji u vašoj kuhinji.
Rasvjetna lampica ne radi.	Provjerite priključak na napajanje električnom energijom.	Napon mreže mora biti između 220 i 240 V.
Rasvjetna lampica ne radi.	Provjerite prekidač za lampicu.	Prekidač za lampicu mora biti u položaju „Uključeno“.
Rasvjetna lampica ne radi.	Provjerite lampice.	Lampice uređaja moraju svijetliti.
Dovod zraka u uređaju nije dovoljan.	Provjerite aluminijski filter.	U normalnim radnim uvjetima, aluminijski filter se čisti najmanje jednom mjesečno.
Dovod zraka u uređaju nije dovoljan.	Provjerite odvodnik zraka (dimnjak).	Prekidač za odvodnik zraka (dimnjak) trebao bi biti u položaju „Uključeno“.
Dovod zraka u uređaju nije dovoljan.	Provjerite karbonski filter.	Filtre uređaja s karbonskim filterima treba zamijeniti jednom u 3 mjeseca u normalnim uvjetima.

პირველ რიგში, წაიკითხეთ ეს სახელმძღვანელო!

მკირფასო მომხმარებლო,

მადლობას გიხდით BEKO-ს პროდუქტის არჩევისთვის. გვსურს უზრუნველვყოთ ოპტიმალური ეფექტურობა ამ მაღალი ხარისხის პროდუქტის გამოყენებისას, რომელიც წარმოებულია თანამედროვე ტექნოლოგიის გამოყენებით. მოწყობილობის გამოყენებამდე აუცილებლად წაიკითხეთ და გაიაზრეთ ამ სახელმძღვანელოს და დამატებითი დოკუმენტაციის შინაარსი და გამოიყენეთ ისინი ცნობისთვის. მოწყობილობის სხვა პირისთვის გადაცემისას ასევე გადაეცით ეს სახელმძღვანელო. გაეცანით სახელმძღვანელოში წარმოდგენილ ყველა გაფრთხილებას და ინფორმაციას და დაიცავით მითითებები.

გაითვალისწინეთ, რომ მოცემული მომხმარებლის სახელმძღვანელო შეიძლება ვრცელდებოდეს პროდუქტის რამდენიმე მოდელზე. სახელმძღვანელოში მკაფიოდ მითითებულია სხვადასხვა მოდელების ვარიანტები.

სიმბოლოები და მათი მნიშვნელობები

მოცემულ სახელმძღვანელოში გამოყენებულია შემდეგი სიმბოლოები:

-  მნიშვნელოვანი ინფორმაცია და რეკომენდაციები მოწყობილობის გამოყენებასთან დაკავშირებით.
-  გაფრთხილება: გაფრთხილება ფიზიკური დაზიანების ან ქონების დაზიანების რისკის შესახებ.
-  გაფრთხილება ელექტრული შოკის რისკის შესახებ.
-  გაფრთხილება ხანძრის გაჩენის რისკის შესახებ.



მოცემული პროდუქტი წარმოებულია თანამედროვე ქარხანაში, რომელშიც დაცულია გარემოს დაცვის ნორმები და რომელიც არ ავნებს გარემოს.

შეესაბამება WEEE რეგულაციებს.



არ შეიცავს პოლიქლორირებულ ბიფენილებს.

1.1 ზოგადი უსაფრთხოება

მნიშვნელოვანი ინსტრუქცია უსაფრთხოებასთან დაკავშირებით – ყურადღებით წაიკითხეთ და შეინახეთ ის მომავალში ცნობისთვის გამოსაყენებლად.

ეს ნაწილი მოიცავს უსაფრთხოების ინსტრუქციებს, რომლებიც დაგიცავთ ხანძრის გაჩენის, ელექტრული შოკის, ფიზიკური დაზიანებისა და ქონების დაზიანების რისკისგან. მოცემული ინსტრუქციების დაუცველობის შემთხვევაში გარანტია უქმდება.

- Beko-ს პროდუქცია შეესაბამება უსაფრთხოების მოქმედ სტანდარტებს. შესაბამისად, მოწყობილობის ან მისი ელექტროკვების კაბელის დაზიანების შემთხვევაში, მისი შეკეთება ან შეცვლა უნდა განხორციელდეს დილერის, სერვისცენტრის, სპეციალისტის ან

ავტორიზებული სამსახურის მიერ. შეკეთების არასწორმა ან არასაკმარისმა ოპერაციებმა შეიძლება გამოიწვიოს რისკი და საფრთხე შეუქმნას მომხმარებელს.

- ეს პროდუქტი არ არის განკუთვნილი კომერციული გამოყენებისთვის, იგი განკუთვნილია სახლში და შემდეგ პირობებში გამოსაყენებლად:
 - მაღაზიების, ოფისებისა და სხვა სამუშაო სივრცეების პერსონალისთვის განკუთვნილ სამზარეულოში;
 - სოფლის სახლში;
 - სასტუმროებში, მოტელებში ან სხვა საცხოვრებელ ობიექტებზე;
 - ჰოსტელებში ან მსგავს გარემოში.
- გამოიყენეთ მოწყობილობა მხოლოდ ამ სახელმძღვანელოში აღწერილი დანიშნულებისამებრ.
- მწარმოებელი არ აგებს

პასუხს დაზიანებაზე, რომელიც გამოწვეულია მოწყობილობის არასწორი მონტაჟით ან გამოყენებით.

- ამ მოწყობილობის გამოყენება შეუძლიათ 8 წლის და უფროსი ასაკის ბავშვებს, შეზღუდული ფიზიკური, სენსორული ან მეტალურის უნარის მქონე ადამიანებს ან არასაკმარისი გამოცდილების თუ ცოდნის მქონე პირებს მხოლოდ იმ პირობით, რომ მათ მიერ მოწყობილობის გამოყენება მოხდება ზედამხედველობის ქვეშ ან მათ გააცნობენ მოწყობილობის უსაფრთხო გამოყენების ინსტრუქციებს, რომლებსაც ისინი გაიაზრებენ.
- ბავშვებმა არ უნდა დაარღვიონ მოწყობილობის უსაფრთხოების სისტემა. დაუშვებელია მოწყობილობის გასუფთავებისა და ტექნიკური მომსახურების ოპერაციების

შესრულება ბავშვების მიერ ზრდასრულების მეთვალყურეობის გარეშე.

- მოწყობილობა უნდა დამონტაჟდეს ისე, რომ მინიმალური მანძილი მოწყობილობის ძირსა და იმ ზედაპირს შორის, რომელზეც თავსდება სამზარეულოს ხელსაწყოები, შეადგენდეს 65 სმ-ს.
- თუ გაზქურის მონტაჟის ინსტრუქცია ითვალისწინებს ზემოთ მითითებულზე უფრო დიდ მანძილს, აუცილებელია მისი დაცვა.
- დარწმუნდით, რომ თქვენი ელექტროქსელი შეესაბამება მოწყობილობის ტექნიკურ პასპორტში მითითებულ ინფორმაციას.
- ნუ გამოიყენებთ მოწყობილობას, თუ მისი ელექტროკვების კაბელი დაზიანებულია.
- ელექტროკვების კაბელის დაზიანების თავიდან ასაცილებლად ნუ წაუჭერთ, ნუ მოუჭერთ მას და არ ახახუნოთ

ის წვეტიან საგნებზე.

ნუ განათავსებთ ელექტროკვების კაბელს ცხელ ზედაპირებთან და ღია ალთან ახლოს.

- ჩართეთ მოწყობილობა მხოლოდ დამიწებულ ელექტროროზეტში.

გაფრთხილება: ნუ ჩართავთ მოწყობილობას ელექტროქსელში მონტაჟის დასრულებამდე.

- განათავსეთ მოწყობილობა ისე, რომ ელექტროკვების კაბელის შემაერთებელი ადვილად ხელმისაწვდომი იყოს.
- ნუ შეეხებით ხელით პროდუქტის სანათებს, როდესაც ისინი ჩართულია ხანგრძლივი დროის განმავლობაში. შეიძლება მიიღოთ დამწვრობა, რადგან სანათები ცხელი იქნება.
- დაიცავით უფლებამოსილი ორგანოების მიერ მითითებული წესები და ინსტრუქციები გამომავალი ჰაერის გარეთ გაშვების თაობაზე. (ეს გაფრთხილება

არ ვრცელდება კვამლსარინის გარეშე გამოყენებაზე.)

- ჩართეთ პროდუქტი ქურაზე ჭურჭლის მოთავსების შემდეგ. წინააღმდეგ შემთხვევაში, ძალაღმძვინტურად შეიძლება გამოიწვიოს საგნების დეტალების დეფორმაცია.
- გამორთეთ ქურის კომფორი, სანამ იქიდან ჭურჭელს გადმოდგამთ.
- ნუ დატოვებთ მდულარე ზეთს ქურაზე. მდულარე ზეთის შემცველ ჭურჭელს შეიძლება გაუჩნდეს ცეცხლი.
- რადგან ზეთს შეიძლება გაუჩნდეს ცეცხლი პროდუქტის შეწვისას, გამოიჩინეთ სიფრთხილე ფარდების და მაგიდის გადასაფარებლების მიმართ.
- გარეცხეთ ზეთის ფილტრები თვეში ერთხელ. შეცვალეთ ნახშირის ფილტრები 3 თვეში ერთხელ.
- პროდუქტის დროულად პერიოდულად გაუსუფთავებლობამ

- შეიძლება წარმოქმნას ხანძრის გაჩენის რისკი.
- ნუ გამოიყენებთ ფილტრის ნაცვლად არაცეცხლმედეგ საფილტრე მასალებს.
 - გამოიყენეთ მხოლოდ ორიგინალური ან მწარმოებლის მიერ მოწოდებული ნაწილები.
 - ნუ გამოიყენებთ პროდუქტს ფილტრის გარეშე და ნუ მოხსნით ფილტრებს პროდუქტის გამოყენების დროს.
 - ცეცხლის გაჩენის შემთხვევაში, გამორთეთ მოწყობილობა და სამზარეულოს სხვა ხელსაწყოები ელექტროქსელიდან. (გათიშეთ ელექტროკვების კაბელი როზეტიდან ან გამორთეთ მთავარი გადამრთველის მეშვეობით).
 - ცეცხლის გაჩენის შემთხვევაში, დააფარეთ რამე ალს. არასოდეს გამოიყენოთ ალის ჩასაქრობად წყალი.
 - გასუფთავებამდე ყოველთვის გათიშეთ მოწყობილობა ელექტროქსელიდან და არ გაწმინდოთ მოწყობილობა მისი გამოყენების დროს.
 - ელექტროგამწოვის და ელექტრობისგან განსხვავებული ენერგიით მომუშავე სხვა მოწყობილობების ერთდროული გამოყენებისას უარყოფითი წნევა სივრცეში არ უნდა აღემატებოდეს 4 პა-ს (4 X 10 ბარს).
 - პროდუქტთან ერთ სივრცეში გაზზე ან თხევად საწვავზე მომუშავე მოწყობილობები, როგორცაა ოთახის გამათბობელი, სრულად უნდა იყოს იზოლირებული პროდუქტის გამოსაშვები მილისგან ან უნდა იყოს ჰერმეტიული.
 - პროდუქტისთვის კვამლსარიინის შეერთების მოწყობისას გამოიყენეთ 150 მმ ან 120 მმ დიამეტრის მქონე მილები. მილის შეერთების სიგრძე და

მუხლების რაოდენობა რაც შეიძლება ნაკლები უნდა იყოს.

გაგუდვის რისკი!

შეინახეთ შესაფუთი მასალა ბავშვებისთვის მიუწვდომელ ადგილას.

გაფრთხილება: ქურასთან და სამზარეულოს სხვა ხელსაწყოებთან ერთად გამოყენების შემთხვევაში პროდუქტის ხელმისაწვდომი ნაწილები შეიძლება ცხელი იყოს.

- დაუშვებელია გამწოვის გამოსაშვები მილის შეერთება ისეთ სავენტილაციო მილებთან, რომლებთანაც შეერთებულია კვამლის სხვა წყაროები.
- ელექტროგამწოვის გაზზე ან სხვა საწვავზე მომუშავე მოწყობილობებთან ერთდროულად გამოყენებისას სივრცე საკმარისად უნდა ნიავდებოდეს. ეს გაფრთხილება არ ვრცელდება კვამლსარიინის გარეშე გამოყენებაზე (გამოყენებაზე ნახშირის

ფილტრით).

- მოწყობილობაზე განთავსებული საგნები შეიძლება ჩამოვარდეს. ნუ მოათავსებთ საგნებს მოწყობილობაზე.
- მკაცრად აკრძალულია პროდუქტის გახეთქვა მოწყობილობის ქვეშ. გაფრთხილება: გამწოვის დამონტაჟებამდე მოაცილეთ დამცავი აპკი.
- ნუ დატოვებთ ღია ალს მოწყობილობის ქვეშ მისი გამოყენების დროს.
- დიდი რაოდენობით ზეთში შეწვა უნდა ხდებოდეს მეთვალყურეობის ქვეშ. მაღალ ტემპერატურამდე გაცხელებულ ზეთს შეიძლება გაუჩნდეს ცეცხლი.

1.2 შესაბამისობა WEEE რეგულაციებთან და ნარჩენების უტილიზაცია



მოცემული პროდუქტი არ შეიცავს საშიშ და აკრძალულ

ნივთიერებებს, რომლებიც მითითებულია თურქეთის გარემოს დაცვის და

ურბანული დაგეგმარების სამინისტროს მიერ გამოცემულ „ელექტრო- და ელექტრონული მოწყობილობების ნარჩენების კონტროლის რეგულაციებში“.

შეესაბამება WEEE რეგულაციებს. მოცემული პროდუქტი დამზადებულია გადამუშავებადი და განმეორებით გამოყენებადი მაღალი ხარისხის დეტალებისა და მასალებისგან.

შესაბამისად, პროდუქტის ექსპლუატაციის ვადის გასვლის შემდეგ ნუ მოახდენთ მის უტილიზაციას სხვა საყოფაცხოვრებო ნარჩენებთან ერთად. ჩააბარეთ ელექტრო- და ელექტრონული მოწყობილობის ჩაბარების პუნქტში. ასეთი პუნქტების შესახებ ინფორმაციისთვის მიმართეთ ადგილობრივ ადმინისტრაციულ ორგანოებს. შეგიძლიათ დაგვეხმაროთ გარემოსა და

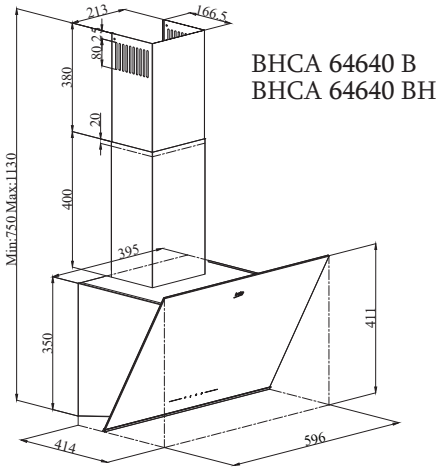
ბუნებრივი რესურსების დაცვაში გამოყენებული პროდუქტების გადასამუშავებლად ჩაბარებით.

1.3 პროდუქტის შეფუთვა

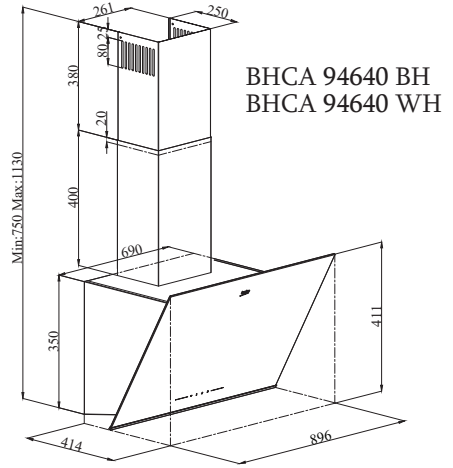


მოწყობილობისთვის გამოყენებული შეფუთვა დამზადებულია გადამუშავებადი მასალებისგან. მოახდინეთ შეფუთვის უტილიზაცია ცალკე, ადგილობრივი ორგანოების რეგულაციების შესაბამისად, რათა გარემოს დაცვის მიზნით უზრუნველყოფილი იქნეს მოწყობილობის შეფუთვის გადამუშავება.

2.1 მიმოხილვა



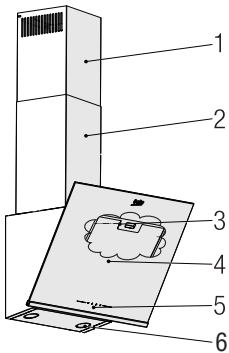
BHCA 64640 B
BHCA 64640 BH



BHCA 94640 BH
BHCA 94640 WH

(ნახატი 1).

(ნახატი 2)



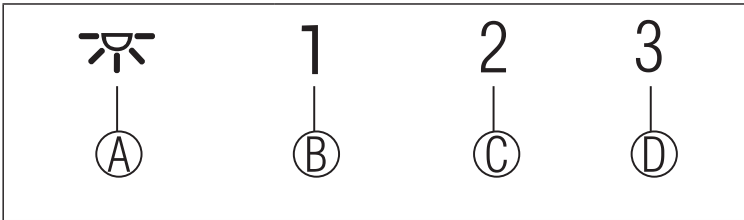
1. შიდა კვამლსარიანი
2. გარე კვამლსარიანი
3. ალუმინის ზეთის ფილტრები
(მინის ხუფის ქვეშ)
4. მინის ხუფი
5. მართვის ბლოკი
6. სანათი

2.2 ტექნიკური მონაცემები

მოდელი	BHCA 64640 B BHCA 64640 BH	BHCA 94640 BH BHCA 94640 WH
ელექტროქსელის ძაბვა	220-240 ვ ~ 50 ჰც	
სანათის სიმძლავრე	2 x 3 ვტ	
ძრავის სიმძლავრე	210 ვტ	
ნაკადის სიჩქარე (მ ³ /სთ) – 3. დონე	631 მ ³ /სთ	623 მ ³ /სთ
ძრავის იზოლაციის კლასი	კლასი F	
იზოლაციის კლასი	კლასი I	

3 მოწყობილობის გამოყენება

3.1 მოწყობილობის მართვა



ლილაკი	ფუნქცია
(A) : განათების ჩართვა / გამორთვა	ამ ლილაკის დაჭერით შეგიძლიათ ჩართოთ განათება, რომელიც გაანათებს ქურას. სანათის გამოსართავად ხელახლა დააჭირეთ ლილაკს.
(B) : 1. ფაზის ლილაკი	მოწყობილობის გაშვება 1-ლი სიჩქარით. მოწყობილობის გამოსართავად ამ ლილაკის განმეორებით დაჭერისას სიჩქარის ფაზა გამოირთვება.
(C) : 2. ფაზის ლილაკი	მოწყობილობის გაშვება მე-2 სიჩქარით. მოწყობილობის გამოსართავად ამ ლილაკის განმეორებით დაჭერისას სიჩქარის ფაზა გამოირთვება.
(D) : მე-3 ფაზის ლილაკი	მოწყობილობის გაშვება მე-3 სიჩქარით. მოწყობილობის გამოსართავად ამ ლილაკის განმეორებით დაჭერისას სიჩქარის ფაზა გამოირთვება.

3.2 ენერგოეფექტური გამოყენება ენერგიის დაზოგვის თვალსაზრისით გამოყენება

- ენერგიის დასაზოგად მოწყობილობის გამოყენებისას დაარეგულირეთ სიჩქარის პარამეტრები ორთქლის და სუნის ინტენსივობის შესაბამისად.
- ჩვეულებრივ პირობებში გამოიყენეთ დაბალი სიჩქარეები (1-2), ხოლო ინტენსიური სუნისა და ორთქლის შემთხვევაში გამოიყენეთ მაღალი სიჩქარე (3).
- * სანათები გამწოვზე განლაგებულია ქურის გასანათებლად.

ამ სანათების საერთო განათების მიზნით გამოყენება გამოიწვევს ენერგიის ზედმეტ ხარჯს და სივრცის არასაკმარის განათებას.

3.3 გამოყენების ინსტრუქცია

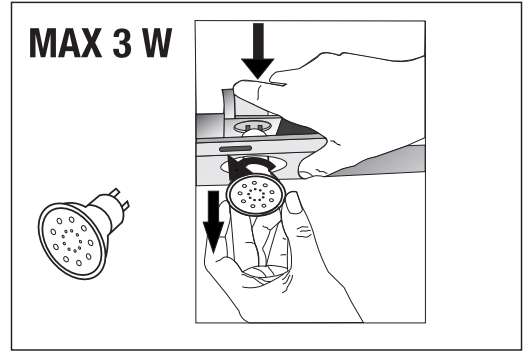
- მოწყობილობა შეიცავს ძრავას, რომელიც სხვადასხვა სიჩქარეებზე მუშაობს.
- ეფექტურობის გასაუმჯობესებლად გირჩევთ გამოიყენოთ დაბალი სიჩქარე ჩვეულებრივ პირობებში და მაღალი სიჩქარე ძლიერი სუნისა და ინტენსიური ორთქლის შემთხვევაში.
- ჩართეთ მოწყობილობა სიჩქარის სასურველი პარამეტრის ლილაკზე დაჭერით. (B, C, D)
- სანათზე (A) დაჭერით შეგიძლიათ

3 მოწყობილობის გამოყენება

განათოთ ქურის სივრცე.


3.4 ავტომატური გათიშვა
 მოწყობილობას აქვს ავტომატური გათიშვის ფუნქცია, რომელიც უზრუნველყოფს დამატებით განიავებას და არასასურველი სუნის და ორთქლის მოცილებას და ავტომატურად ითიშება საკვების მომზადების დასრულების შემდეგ. ავტომატური გათიშვის ფუნქციის გასააქტიურებლად დააჭირეთ ნებისმიერი სიჩქარის ღილაკს (B, C, D) მართვის პანელზე 2 წამზე მეტი ხნით – გააქტიურდება 15-წუთიანი ტაიმერის ფუნქცია. როდესაც გააქტიურებულია ავტომატური გათიშვის ფუნქცია, იმავე ღილაკზე დაჭერა გამორთავს მას და ძრავას. სხვადასხვა სიჩქარეებს შორის გადართვისას ეს ფუნქცია ითიშება. თუ გსურთ, მოწყობილობა ავტომატურად გაითიშოს, საჭიროა ხელახლა გაააქტიუროთ ავტომატური გათიშვის ფუნქცია.

3.5 სანათის შეცვლა

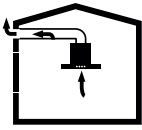


(ნახატი 3)

გამართეთ ელექტრო მოწყობილობის შერეუბები. მოწყობილობაში გამოიყენება 3 ვტ წერტილოვანი LED სანათი. სანათების შესაცვლელად დააწეეთ ბუდეს უკანა მხრიდან, დაატრიალეთ საათის ისრის საწინააღმდეგო მიმართულებით და მოხსენით სანათი. ახალი სანათების დასაყენებლად გაიმეორეთ იგივე პროცედურა საწინააღმდეგო თანმიმდევრობით (ნახატი 3).

ნათურა	
ნათურის სიმძლავრე (ვტ)	3
ბუდე / როზეტი	GZ 10
ნათურის ძაბვა (ვ)	220 - 240
ზომა (მმ)	53 x 50
IILCOS კოდი	DR/F3-220-240-GZ10-50-53

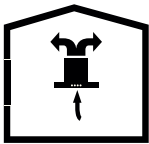
3.6 გამოყენება

კვამლსარინის
შეერთებით

- ორთქლის გარეთ გაშვება ხდება კვამლსარინის მილის მეშვეობით, რომელიც მიერთებულია გამწოვის თავზე არსებულ შეერთებასთან.
- კვამლსარინის მილის დიამეტრი უნდა იყოს შემაერთებელი რგოლის დიამეტრის ტოლი. ჰორიზონტალური მონტაჟის დროს მილს უნდა ჰქონდეს მცირე აღმავალი დახრილობა (დაახლოებით 10°), რათა ადვილად მოხდეს ნამუშევარი ჰაერის მოცილება სივრციდან.

მარცხნივ მისი დატრიალებით.

- შეცვალეთ ალუმინის ზეთის ფილტრი.

3.7 გამოყენება
კვამლსარინის
შეერთების გარეშე

- ნახშირის ფილტრი ფილტრავს ჰაერს და ხდება ჰაერის რეცირკულირება სივრცეში. ნახშირის ფილტრი გამოიყენება მაშინ, როდესაც კვამლსარინის გამოყენება სახლში შეუძლებელია.
- კვამლსარინის გარეშე გამოყენებისას მოხსენით საფრები კვამლსარინის ადაპტერის შიგნით.
- მოხსენით ზეთის ფილტრი. ნახშირის ფილტრის დასამონტაჟებლად მოათავსეთ ფილტრი ჩანართებში პლასტმასის დეტალზე მისი ცენტრირებით ვენტილატორის კორპუსის ორივე მხარეს. დაამაგრეთ მარჯვნივ ან

4 გასუფთავება და ტექნიკური მომსახურება



პროდუქტის გასუფთავებამდე და მასზე ტექნიკური მომსახურების სამუშაოების შესრულებამდე გათიშეთ იგი ელექტროქსელიდან ან გამორთეთ მთავარი გადამრთველის გამოყენებით.

ალუმინის ზეთის ფილტრები თავის ბუდეებში ზემოაღნიშნული ნაბიჯების საწინააღმდეგო თანმიმდევრობით შესრულებით. ეს ფილტრი იკავებს ჰაერში არსებულ ზეთის ნაწილაკებს.



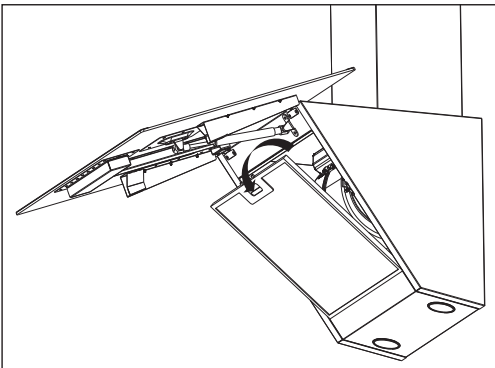
შეგიძლიათ გარეცხოთ ალუმინის ზეთის ფილტრები ჭურჭლის სარეცხ მანქანაში.

4.1 ალუმინის ზეთის ფილტრის გასუფთავება

ეს ფილტრი იკავებს ჰაერში არსებულ ზეთის ნაწილაკებს. ალუმინის ზეთის ფილტრის ფერი შეიძლება შეიცვალოს გარეცხვის შემდეგ; ეს ნორმალურია და არ საჭიროებს ალუმინის ზეთის ფილტრების შეცვლას.



გაფრთხილება ჩვეულებრივ პირობებში გამოყენებისას გაასუფთავეთ ფილტრი თვეში ერთხელ.



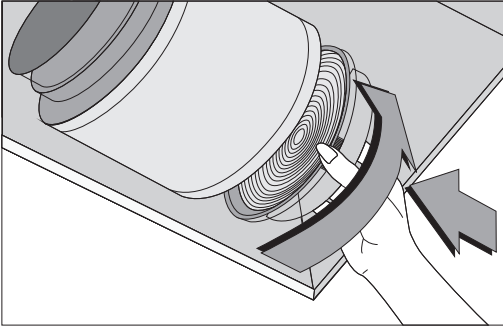
(ნახატი 4)

- წაანაცვლეთ წინ ალუმინის ზეთის ფილტრის ფიქსატორი.
- შემდეგ ოდნავ დააწექით და ამოიღეთ (ნახატი 4). ალტერნატიულად, შეგიძლიათ მოლუნოთ ფილტრი. გარეცხეთ და გამორეცხეთ ალუმინის ზეთის ფილტრები თხევადი სარეცხი საშუალებით და ისევ ჩასვით

4 გასუფთავება და ტექნიკური მომსახურება

4.2 ნახშირის ფილტრების შეცვლა

სუნის მოსაშორებელი ფილტრები შეიცავს ნახშირს (აქტიურ კარბონს). ცხიმის შემაკავებელი ფილტრები უნდა დამონტაჟდეს პროდუქტში მიუხედავად იმისა, გამოიყენება თუ არა ნახშირის ფილტრები.



(ნახ. 5)

- მოხსენით ალუმინის ზეთის ფილტრი (ნახატი 4).
- ნახშირის ფილტრის მოსახსნელად ამოიღეთ ნახშირის ფილტრი თავისი კორპუსიდან, ჩანართზე მისი საათის ისრის საწინააღმდეგო მიმართულებით დატრიალებით (ნახატი 5).
- დააყენეთ ახალი ნახშირის ფილტრი.
- დააყენეთ ალუმინის ზეთის ფილტრი.



გაფრთხილება
ნახშირის ფილტრი
არასოდეს არ უნდა
გარეცხოთ.



გაფრთხილება
შეცვალეთ ნახშირის
ფილტრები 3 თვეში
ერთხელ.



გაფრთხილება
ნახშირის ფილტრი
შეგიძლიათ
შეიძინოთ
ავტორიზებულ
სერვისცენტრებში.



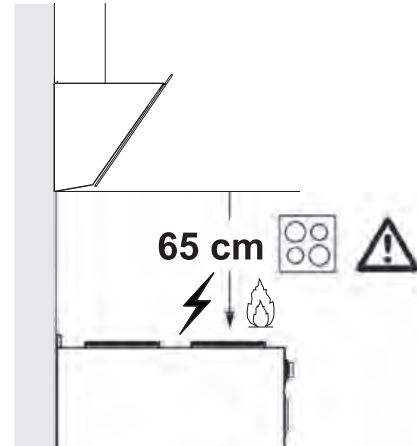
გაფრთხილება!
მონტაჟის დაწყებამდე წაიკითხეთ ინფორმაცია უსაფრთხოების შესახებ მომხმარებლის სახელმძღვანელოში.



გაფრთხილება!
ამ ინსტრუქციების შესაბამისად ხრახნების დასტაბილიზატორების გამოყენების მონტაჟის შეუსრულებლობამ შეიძლება გამოიწვიოს ელექტრული შოკი.

გამწოვის დამონტაჟებისთვის მიმართეთ უახლოეს ავტორიზებულ სერვისცენტრს. გამწოვისთვის ადგილის და ელექტრული შეერთებების მომზადება მომხმარებლის პასუხისმგებლობაა.

5.1 მოწყობილობის განლაგება



(ნახატი 6)

- დამონტაჟებამდე აუცილებელია გაითვალისწინოთ საჭირო მანძილი ქურასა და გამწოვს შორის. მანძილი უნდა იყოს 65 სმ (ნახატი 6).
- მანძილი უნდა გაიზომოს გაზქურის ცხაურის ზედაპირიდან და
- ელექტროქურის მინის ზედაპირიდან.



გაფრთხილება
კედლის გაბურღვამდე
დარწმუნდით, რომ
გაბურღვის ადგილთან
ახლოს არ არის
განლაგებული ელექტრო,
გაზის ან წყლის მილები.

დახაზეთ შუა ხაზი ჭერიდან
გამწოვის ქვედა კიდის
პერპენდიკულარულად ().

ზედაპირზე, სადაც უნდა
დამონტაჟდეს გამწოვი, ჩასვით
აქსესუარების კომპლექტში
შემავალი შაბლონი. ამ ოპერაციის
შესრულებისას დაიცავით
გამწოვის სამონტაჟო სიმაღლე
(გვერდი 12 / ნახატი 6).

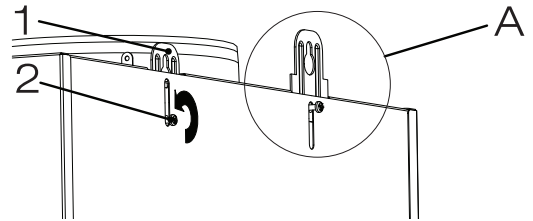
კვამლსარინის შემაერთებელი
პანელის შუაში არის
ჩანართი. ამ ჩანართის შუა
წერტილი განლაგეთ კედლის
პერპენდიკულარულად
გავლებულ ხაზზე. ამ ოპერაციის
შესრულებისას დაარეგულირეთ
გამწოვი მაქსიმალური სიმაღლის
შესაბამისად (გვერდი 8 / ნახატი 1).
კალმით მონიშნეთ ნახვრეტები,
სადაც უნდა დამონტაჟდეს
კვამლსარინის შემაერთებელი
პანელი (ნახატი 7/a).

გაბურღეთ მონიშნული
ადგილები Ø6 მმ ბურღით და
ჩასვით 2 პლასტმასის დიუბელი
გაბურღულ ნახვრეტებში (ნახატი
7/a). კედელზე დაამაგრეთ
კვამლსარინის შემაერთებელი
პანელი 3,9x22 ხრახნებით (ნახატი

7/a).

გამწოვის კორპუსის აწყობისას
შეგიძლიათ გამოიყენოთ Ø8 მმ
ბურღი A, B, C, D წერტილების
გასაბურღად სამონტაჟო
შაბლონზე და ამ წერტილებში
ჩასვით 4.8x50 მმ პლასტმასის
დიუბელები. (ნახატი 7/b).

2 ცალი 4.8x50 საკიდრის ხრახნი
ხრახნის თავსა და კედელს შორის
5 მმ დაშორებით (ნახატი 7/b).

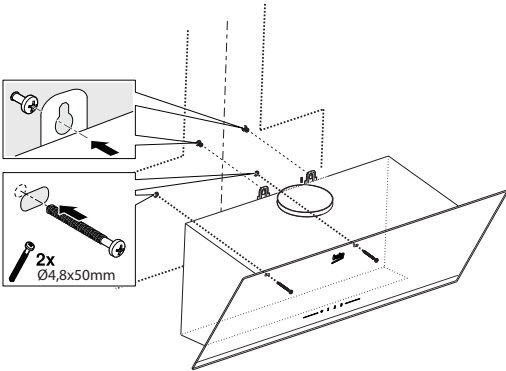


(ნახატი 8)

1. შესაკიდი პანელი
2. შესაკიდი პანელის შეერთების
ხრახნი

გამწოვის კედელზე
დასამონტაჟებლად მოუშვით
ხრახნები ძრავის კამერაზე
დამონტაჟებულ შესაკიდ
პანელებზე და წაანაცვლეთ
ზევით, შემდეგ ისევ დაამაგრეთ
(ნახატი 8 / A).

ჩართეთ გამწოვის შემწოვი
ბლოკი და მოხსენით ალუმინის
ზეთის ფილტრი (გვერდი 11 /
ნახატი 4).

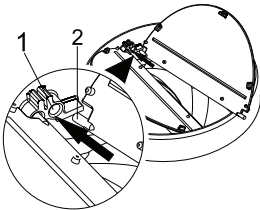


(ნახატი 9)

დაიჭირეთ გამწოვი კორპუსით და განათავსეთ კედელზე დამონტაჟებულ სამონტაჟო ხრახნებზე, შემდეგ მოუჭირეთ ხრახნებს (ნახატი 9).

დაამაგრეთ გამწოვი კედელზე ორი 4.8x50 ხრახნით მოწყობილობის შიდა მხარეს არსებული სამონტაჟო ნახვრეტის მეშვეობით (ნახატი 9).

5.4 შეერთება კვამლსარინთან



(ნახატი 10)

- 1- საფრის წკირის ბუდე
- 2- საფრის წკირი

ჩასვით პლასტმასის წკირი (ნახატი 10 / ადგილი #2) წკირის ბუდეში ძრავის გამოსაშვებ მილზე (ნახატი 10 / ადგილი #1). შემდეგ ოდნავ მოდუნეთ საფარი მეორე წკირის ჩასასმელად საფარზე და ჩასვით მეორე წკირი თავის ბუდეში (ნახატი 10).

თუ აპირებთ Ø 120/150 მმ პლასტმასის კვამლსარინის ადაპტერის გამოყენებას, შეაერთეთ მილის ერთი ბოლო ამ

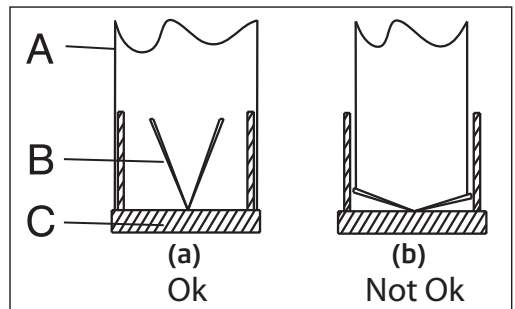
ადაპტერთან; თუ არ აპირებთ მის გამოყენებას, შეაერთეთ პირდაპირ პროდუქტის გამომყვანთან. მილის მეორე ბოლო შეაერთეთ კვამლსარინთან. შეამოწმეთ, რომ ორივე შეერთება კარგად იყოს დამაგრებული, რათა არ მოდუნდეს მოწყობილობის სრული სიმძლავრით მუშაობისას. დარწმუნდით, რომ ფიქსატორით დამაგრებისას საფრები კვამლსარინის შიგნით მუშაობს. შეაერთეთ კვამლსარინის შემაერთებელი მილი ადაპტერის გარეთ (ნახატი 11/a). თუ შემაერთებელი მილი დაყენებული იქნება ადაპტერის შიგნით, ჰაერის შეწოვა არ მოხდება, რადგან კვამლსარინის საფარი, რომელიც ხელს უშლის ჰაერის უკან გამოდინებას, დახურული დარჩება (ნახატი 11 / b). მილის შეერთების სიგრძე და მუხლების რაოდენობა უნდა იყოს რაც შეიძლება ნაკლები.

A : კვამლსარინის გამოსაშვები მილი

B : კვამლსარინის ფიქსატორები

C : პლასტმასის კვამლსარინი

როცა მოწყობილობა არ მუშაობს, სარქველები დახურულია და ხელს უშლის სუნის და მტერის შიგნით მოხვედრას.

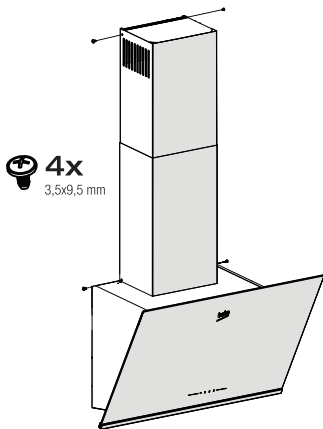


(ნახატი 11)

5.5 გამწოვის დამონტაჟება კვამლსარინზე

კვამლსარინის მონტაჟის დაწყებამდე გამართეთ ელექტრო შეერთებები. კვამლსარინის პანელები გადაადგილეთ კორპუსის გარშემო. ხრახნებით დაამაგრეთ კვამლსარინი ძრავის კამერაზე არსებულ სამაგრ პანელებზე. (ნახატი 12).

დამონტაჟეთ კვამლსარინი სამაგრ პანელზე, რომელიც დამაგრებულია კედელზე ზედა გარე კიდის მხარეს (ნახატი 12).



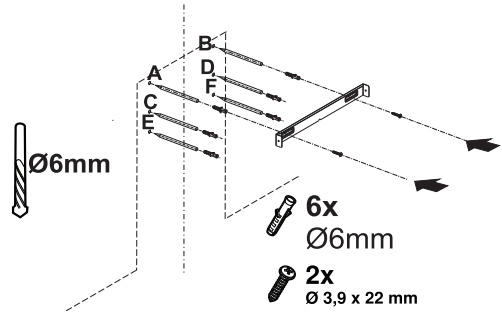
(ნახ. 12)

5.6 ჰაერის ამრეკლის მონტაჟი

(BHCA 64640 BH - BHCA 94640 BH - BHCA 94640 WH)

ნახშირის ფილტრის გამოყენების შემთხვევაში, მოწყობილობის კომპლექტში შედის ჰაერის ამრეკლი, რომელიც ხელს უშლის ნახშირის ფილტრით გასუფთავებული ჰაერის გამოდინებას კვამლსარინის ადგილას არსებული ხვრელიდან.

ჰაერის ამრეკლის აწყობის წესი აღწერილია ქვემოთ.



(ნახ. 13)

კვამლსარინის შემაერთებელი პანელის შუაში არის ჩანართი. ამ ჩანართის შუა წერტილი განალაგეთ კედლის პერპენდიკულარულად გავლებულ ხაზზე. ჰორიზონტალურად გაასწორეთ და კალმით მონიშნეთ ნახვრეტების ადგილები, სადაც დამონტაჟდება შემაერთებელი პანელი (ნახატი 13 / A, B).

გაბურღეთ მონიშნული ადგილები ორი Ø6 მმ ბურღით და ჩასვით 2 პლასტმასის დიუბელი გაბურღულ ნახვრეტებში (ნახატი 13 / A, B).

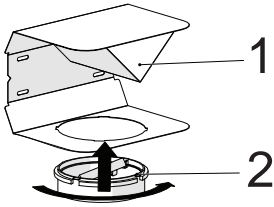
კედელზე დაამაგრეთ კვამლსარინის შემაერთებელი პანელი 3.9x22 ხრახნებით (ნახატი 13/ A, B).

ჰაერის ამრეკლის დასამონტაჟებლად გაბურღეთ წერტილები C, D, E, F Ø6 მმ ბურღით და ჩასვით Ø6 მმ პლასტმასის დიუბელები (ნახატი 13).

დააყენეთ გამწოვის კორპუსი (გვერდი 14 / ნახატი 9).

5

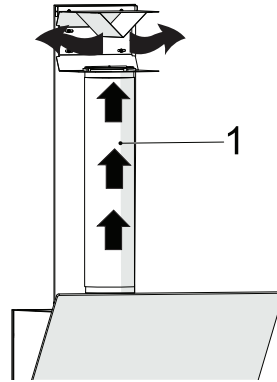
მოწყობილობის მონტაჟი



(ნახატი 14)

- 1- ჰაერის ამრეკლი
- 2- პლასტმასის კვამლსარიანი

მიამაგრეთ კომპლექტში შემაველი პლასტმასის კვამლსარიანის ადაპტერი ჰაერის ამრეკლის მიმართულელებით. დააფიქსირეთ კვამლსარიანის ადაპტერი მისი დატრიალებით ისრის მიმართულელებით (ნახატი 14).

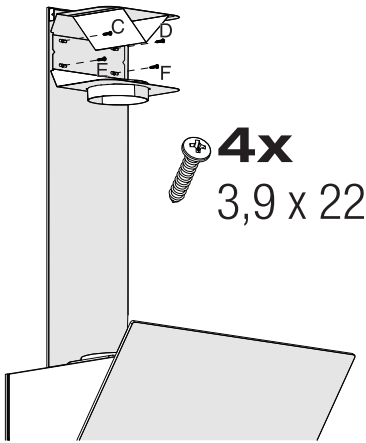


(ნახ. 16)

- 1- ჰაერის გამომშვები ალუმინის მილი
- დააყენეთ ჰაერის გამომშვები მილი (ნახატი 16).

	<p>იმის გამო, რომ ალუმინის მილის მოღუნვა გამოიწვევს ჰაერის შეწოვის სიმძლავრის შემცირებას, მაქსიმალურად ეცადეთ არ მოღუნოთ მილი.</p>
--	--

დაამონტაჟეთ გამწოვის კვამლსარიანის პანელები (გვერდი 14 / ნახატი 9).



(ნახ. 15)

დააყენეთ ჰაერის ამრეკლის ბლოკი 3.9 x 22 ხრახნებით მომზადებულ წერტილებში C, D, E, F (ნახატი 15).

პრობლემების აღმოფხვრა	ძირითადი მიზეზი	დახმარება
მოწყობილობა არ მუშაობს.	შეამოწმეთ მცველები.	შესადლოა, მცველი გადაიწვა, შეამოწმეთ და გამოცვალეთ ის.
მოწყობილობა არ მუშაობს.	შეამოწმეთ ელექტრო შეერთება.	ელექტროქსელის ძაბვა უნდა იყოს 220-240 ვ.
მოწყობილობა არ მუშაობს.	შეამოწმეთ ელექტრო შეერთება.	შეამოწმეთ, მუშაობს თუ არა სხვა მოწყობილობები სამზარეულოში.
განათება არ მუშაობს.	შეამოწმეთ ელექტრო შეერთება.	ელექტროქსელის ძაბვა უნდა იყოს 220-240 ვ.
განათება არ მუშაობს.	შეამოწმეთ სანათის გადამრთველი.	სანათის გადამრთველი უნდა იყოს პოზიციაში „ჩართული“.
განათება არ მუშაობს.	შეამოწმეთ სანათები.	მოწყობილობის სანათები უნდა ანათებდეს.
მოწყობილობის ჰაერის შემწოვი არასაკმარისად მუშაობს.	შეამოწმეთ ალუმინის ფილტრი.	ჩვეულებრივ პირობებში ალუმინის ზეთის ფილტრი უნდა გაასუფთავოთ მინიმუმ თვეში ერთხელ.
მოწყობილობის ჰაერის შემწოვი არასაკმარისად მუშაობს.	შეამოწმეთ ჰაერის გამომშვები კვამლსარინი.	ჰაერის გამომშვები კვამლსარინი უნდა იყოს პოზიციაში „ჩართული“.
მოწყობილობის ჰაერის შემწოვი არასაკმარისად მუშაობს.	შეამოწმეთ ნახშირის ფილტრი.	ჩვეულებრივ პირობებში მოწყობილობის ნახშირის ფილტრები უნდა შეცვალოთ 3 თვეში ერთხელ.

Lees deze gids eerst!

Beste klant,

Bedankt dat u voor een BEKO product hebt gekozen. Wij willen graag dat u het optimale rendement haalt uit dit hoogwaardige product, dat met de modernste technologie is vervaardigd. Zorg ervoor dat u deze handleiding en aanvullende documentatie volledig doorleest en begrijpt voordat u ze gebruikt en bewaar ze als referentie. Neem deze gids mee als u hem aan iemand anders overhandigt. Neem alle waarschuwingen en informatie hierin in acht en volg de instructies op.

Vergeet niet dat deze handleiding van toepassing kan zijn op meerdere productmodellen. De handleiding vermeldt eventuele variaties tussen de verschillende modellen heel duidelijk.

Symbolen en hun betekenis

Deze symbolen worden overal in deze gids gebruikt:

	Belangrijke informatie en aanbevelingen met betrekking tot het gebruik van het apparaat.
	OPGELET: Waarschuwingen voor persoonlijk letsel of materiële schade.
	Elektrische schok waarschuwing,
	Risico op brand.



Dit product is vervaardigd in moderne faciliteiten met respect voor het milieu zonder de natuur te schaden.

1 Belangrijke veiligheids- en milieuvoorschriften

1.1 Algemene veiligheid

Belangrijke veiligheidsinstructies. Lees zorgvuldig en bewaar ter referentie in de toekomst. Dit deel bevat veiligheidsinstructies die u beschermen tegen het risico op brand, elektrische schok, blootstelling aan lekkende magnetronstralen, persoonlijk letsel of materiële schade. Het niet opvolgen van deze instructies maakt elke garantie ongeldig.

- Beko-producten voldoen aan de van toepassing zijnde veiligheidsnormen; daarom moet in het geval van beschadiging aan het apparaat of het stroomsnoer dit worden gerepareerd of vervangen door de dealer, het servicecentrum of een specialist en erkende service om elk gevaar te vermijden. Verkeerd of niet-gekwalificeerd reparatiewerk kan gevaarlijk zijn en een risico vormen voor de gebruiker.
- Dit apparaat is bedoeld voor huishoudelijk gebruik en vergelijkbare toepassingen zoals:
 - personeelskeukens in winkels, kantoren en andere werkomgevingen;
 - boerderijen;
 - bij klanten in hotels en andere types van overnachtingsomgevingen;
 - omgevingen van het type bed-and-breakfast.
- Gebruik dit apparaat uitsluitend voor het beoogde doel zoals beschreven in deze handleiding.
- De producent kan niet aansprakelijk worden gehouden voor schade die is ontstaan door ongeschikte installaties of onjuist gebruik van het product.
- Dit apparaat kan worden gebruikt door kinderen vanaf 8 jaar en personen met verminderde fysieke, zintuiglijke of mentale vermogens, of met een gebrek aan ervaring en kennis, als deze onder toezicht staan of instructies hebben gekregen betreffende het veilige gebruik van het apparaat en op de hoogte zijn van de betrokken gevaren.
- Laat kinderen niet met het apparaat spelen. Reiniging en gebruikersonderhoud dienen niet zonder toezicht door kinderen uitgevoerd te worden.
- De minimale afstand tussen het ondersteunende oppervlak voor het kookgerei op de kookplaat en het laagste gedeelte van uw product moet minstens 65 cm zijn.
- Als de installatie-instructies voor het gasfornuis een grotere afstand aangeeft, dient hier rekening mee te worden gehouden.
- Zorg ervoor dat uw netstroom overeenkomt met de informatie die staat op het typeplaatje van het apparaat.
- Gebruik het apparaat nooit als de stroomkabel of het apparaat zelf beschadigd is.
- Vermijd schade aan de stroomkabel door knijpen, buigen of wrijven langs scherpe randen. Houd de stroomkabel uit de buurt van hete oppervlakken en open vuur.

1 Belangrijke veiligheids- en milieuvoorschriften

- Gebruik het apparaat uitsluitend met een geaard stopcontact.

WAARSCHUWING: Sluit het apparaat niet op het stroomnetwerk aan totdat de installatie volledig is afgerond.

- Plaats het apparaat zodanig dat de stekker altijd toegankelijk is.
- De verlichting na langdurige werking niet aanraken. De lampen zijn heet en kunnen uw handen verbranden.
- Volg de voorschriften op die door de deskundige autoriteiten zijn bepaald wat betreft de luchtafvoer (deze waarschuwing is niet van toepassing bij gebruik zonder rookkanaal).
- Zet het apparaat aan nadat er een pan op de kookplaat is gezet. Anders kan de hoge warmte in sommige delen van uw product vervorming veroorzaken.
- Zet de kookplaat uit voordat u de pan van de kookplaat haalt.
- Laat geen hete olie achter op de kookplaat. Pannen met hete olie kunnen in brand vliegen.
- Let op uw gordijnen en andere afdekkingen, want olie kan bij de bereiding van bijvoorbeeld patat in brand vliegen.
- Vetfilters moeten minstens eens per maand worden vervangen. Koolstoffilters moeten minstens eens per 3 maanden worden vervangen.
- Het product moet worden gereinigd in

overeenstemming met de gebruikershandleiding. Als bij reiniging de gebruikershandleiding niet wordt opgevolgd, kan er brandgevaar ontstaan.

- Gebruik in plaats van het huidige filter geen filtermaterialen die niet vuurbestendig zijn.
- Gebruik alleen de originele onderdelen of onderdelen aanbevolen door de fabrikant.
- Gebruik het product niet zonder filter en verwijder de filters niet als het product in werking is.
- In het geval er vlammen ontstaan, schakelt u uw apparaat en kooktoestellen uit.
- Bedek de vlammen als deze ontstaan en blus ze nooit met water.
- Trek de stekker van het apparaat uit het stopcontact vóór elke reiniging en wanneer het apparaat niet in gebruik is.
- De negatieve druk in de ruimte mag niet hoger zijn dan 4 Pa (4 x 10 bar) als de afzuigkap voor de elektrische kookplaat en apparaten op een andere energiebron werken, maar de stroom tegelijkertijd in werking is.
- In de ruimte waar het apparaat wordt gebruikt, moeten de uitlaten van apparaten die op olie of gas werken, zoals een kamerwarming, volledig worden geïsoleerd of het apparaat moet van een hermetisch afgesloten type zijn.
- Gebruik om het rookkanaal aan te sluiten pijpen met een diameter van 120 of 150

1 Belangrijke veiligheids- en milieuvoorschriften

mm. De pijpansluiting moet zo kort mogelijk zijn en zo min mogelijk ellebogen hebben.

Verstikkingsgevaar! Houd alle verpakkingsmaterialen uit de buurt van kinderen.

LET OP: Toegankelijke delen kunnen indien gebruikt met kookapparaten heet worden.

- De afvoer van het product mag niet worden aangesloten op luchtkanalen die een ander soort rook bevatten.
- Er kan onvoldoende ventilatie in de ruimte zijn als de afzuigkap voor de elektrische kookplaat tegelijk wordt gebruikt met de toestellen die op gas of andere brandstoffen werken (dit is mogelijk niet van toepassing op apparaten die de lucht uitsluitend terug in de ruimte brengen).
- Op het product geplaatste voorwerpen kunnen vallen. Plaats geen voorwerpen op het product.
- Flambeer niet onder uw product.

WAARSCHUWING: Verwijder de beschermende folie voordat u de afzuigkap installeert.

- Zorg tijdens de werking dat er zich onder de afzuigkap nooit hoge vlammen bevinden.
- Frituurpannen moeten tijdens gebruik voortdurend onder toezicht staan: oververhitte olie kan in brand vliegen.

1.2 Naleving van de WEEE-norm en verwerking van afvalproducten:

Dit product voldoet aan de WEEE-norm van de EU (2012/19/EU). Dit product heeft een classificatiesymbool voor verwerking van elektrische en elektronische apparatuur (WEEE).



Dit symbool geeft aan dat dit product niet met ander huishoudelijk afval mag worden weggegooid aan het einde van zijn levensduur. Het gebruikte apparaat moet worden geretourneerd naar het officiële inzamelpunt voor recycling van

elektrische en elektronische apparaten. Om deze inzamelpunten te vinden kunt u contact opnemen met uw lokale autoriteiten of detailhandelaar waar het product werd verkocht. Ieder huishouden voert een belangrijke rol uit in terugwinnen en recycling van oude apparatuur.

Een juiste afvalbehandeling levert een bijdrage ter voorkoming van de negatieve gevolgen voor het milieu en de volksgezondheid.

1.3 Naleving van de RoHS-richtlijn

Het door u aangekochte product voldoet aan de EU RoHS-norm (2011/65/EU). Het bevat geen

schadelijke en verboden materialen die in de norm zijn vermeld.

1 Belangrijke veiligheids- en milieuvoorschriften

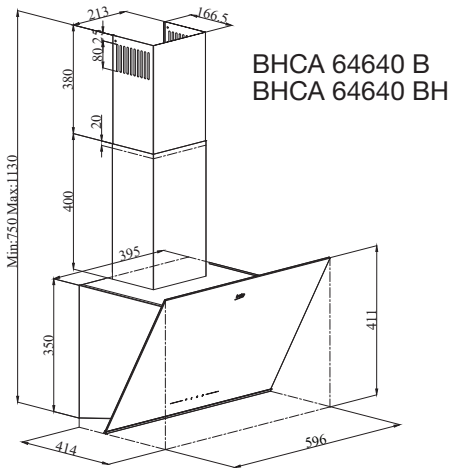
1.4 Verpakkingsinformatie



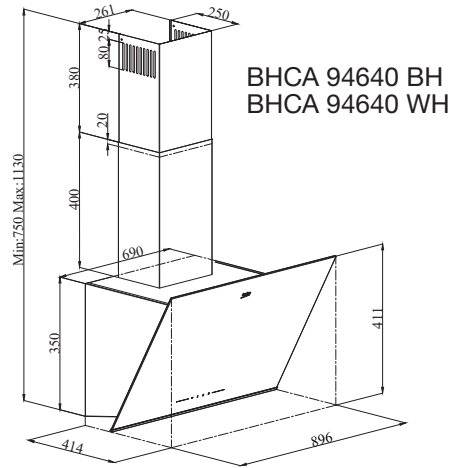
Verpakkingsmaterialen van het product zijn gemaakt uit recycleerbare materialen in overeenstemming met onze nationale milieuverordeningen. Gooi de verpakkingsmaterialen niet samen met het huishoudelijk afval of ander afval weg. Breng ze naar de inzamelpunten voor verpakkingsmaterialen aangewezen door de lokale instanties.

2 Algemeen voorkomen

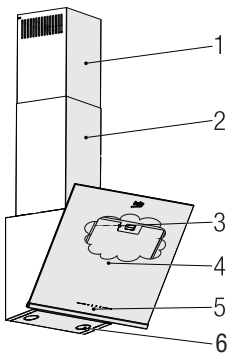
2.1 Overzicht



(Afbeelding 1).



(Afbeelding 2)



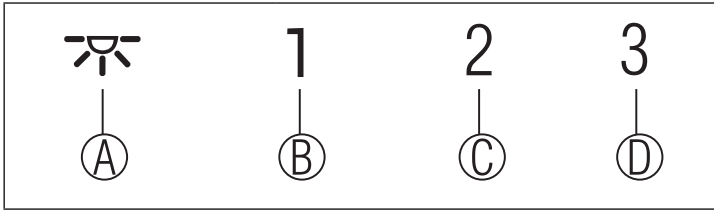
1. Binnenkanaal
2. Buitenste rookkanaal
3. Aluminium Oliefilters (achter glasafdekking)
4. Glazen deksel
5. Besturingsassemblage
6. Lamp

2,2- Technische gegevens

Model	BHCA 64640 B BHCA 64640 BH	BHCA 94640 BH BHCA 94640 WH
Toevoerspanning	220-240V ~ 50 Hz	
Lampvermogen:	2 x 3 W	
Motorvermogen :	210 W	
Debiet (m ³ /h) – 3. Niveau	631 m ³ /h	623 m ³ /h
Isolatieklasse van de motor	Klasse F	
Isolatieklasse	Klasse I	

3 Werking van het apparaat

3,1 Controle van het toestel



Sleutel	FUNCTIE
(A) : Lichten aan/uit	U kunt het kookgedeelte verlichten door op deze toets te drukken. Druk nogmaals op de knop om de lamp uit te schakelen.
(B) : 1. Fase knop	Bedient het apparaat op 1e snelheid. Wanneer u nogmaals op deze toets drukt om het apparaat uit te schakelen, wordt de snelheid van het scherm uitgeschakeld.
(C) : 2. Fase knop	Bedient het apparaat op 2e snelheid. Wanneer u nogmaals op deze toets drukt om het apparaat uit te schakelen, wordt de snelheid van het scherm uitgeschakeld.
(D) : 3e fase knop	Bedient het apparaat op 3e snelheid. Wanneer u nogmaals op deze toets drukt om het apparaat uit te schakelen, wordt de snelheid van het scherm uitgeschakeld.

3.2 Energie-efficiënte werking in termen van besparing

Gebruik

- Wanneer u uw apparaat gebruikt, moet u de snelheidsinstellingen aanpassen aan de intensiteit van de damp en de geur, om energie te besparen.
- Gebruik lage snelheden (1-2) onder normale omstandigheden, en hoge snelheden (3) voor intense geur en damp.
- * De lampen op de afzuigkap zijn geplaatst voor het verlichten van de kookzone.

Het gebruik ervan voor milieuverlichting moet leiden tot onnodige energie-uitgaven en onvoldoende verlichting.

3.3 Gebruiksaanwijzing

- Uw toestel bevat een motor met verschillende snelheden.

- Voor betere prestaties raden wij aan om lage snelheden te gebruiken onder normale omstandigheden en hoge snelheden in geval van sterke geuren en intense dampen.
- U kunt uw apparaat starten door op de gewenste snelheidsinsteltoets te drukken. (B, C, D)
- U kunt het kookgedeelte verlichten door op de lamp (A) te drukken.

3.4 Automatische stop

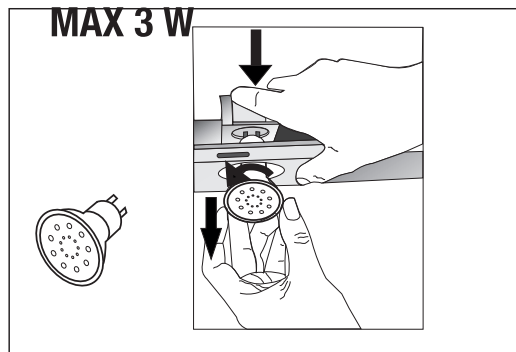
Uw toestel heeft een automatische stopfunctie, waardoor het wat meer kan ventileren en de ongewenste geuren en dampen in de omgeving kan verwijderen en automatisch kan worden uitgeschakeld nadat het koken is gedaan. Om de automatische stopfunctie in te schakelen, drukt u langer dan 2 seconden op de knop voor een willekeurige snelheids-

3 Werking van het apparaat

trap (B, C, D) op het bedieningspaneel; de 15-minuten-timerfunctie wordt geactiveerd. Wanneer de automatische stopfunctie actief is, moet door het indrukken van dezelfde snelheidstoets de automatische stopfunctie worden uitgeschakeld en moet de motor van het apparaat stoppen. Deze functie wordt uitgeschakeld wanneer u tussen verschillende snelheidsfasen schakelt.

Als u wilt dat het apparaat automatisch stopt, moet u de automatische stopfunctie weer inschakelen.

3.5 Vervanging van de lamp

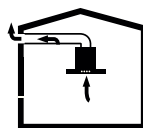


(Afbeelding 3)

Maak de elektrische aansluitingen van het apparaat. Uw toestel maakt gebruik van een 3W-spots LED-lamp. Voor het vervangen van de lampen duwt u de houder van achteren naar beneden, draait u deze tegen de klok in en haalt u deze naar beneden. Pas de bovenstaande handeling in omgekeerde volgorde toe om nieuwe lampen te installeren (Afbeelding 3).

Lamp	
Lampstroom (W)	3
Houder / Stopcontact	GZ 10
Lampspanning (V)	220 - 240
Afmeting(mm)	53 x 50
ILCOS Code	DR/F3-220-240-GZ10-50-53

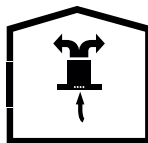
3.6 Bediening met rookgasafvoer



- De damp wordt afgezogen via het rookkanaal, dat aan de aansluitkop op de kap wordt bevestigd.

- De diameter van het rookkanaal moet gelijk zijn aan de aansluiting. Bij een horizontale opstelling moet de buis een lichte opwaartse helling hebben (ongeveer 10°), zodat de lucht gemakkelijk de ruimte kan verlaten.

3.7 Bediening met rookgasafvoer



- De lucht wordt door het koolstoffilter gefilterd en in de ruimte gerecirculeerd. Koolstoffilter wordt gebruikt wanneer het onmogelijk is om een schoorsteen in huis te gebruiken.
- Bij gebruik zonder afvoer verwijdert u de kleppen in de rookgasadapter.
- Verwijder het oliefilter. Om het koolstoffilter te installeren, plaatst u het filter op de lipjes door het te centreren op het kunststofstuk aan beide zijden van het ventilatorhuis. Draai hem aan door naar rechts of naar links te gaan.
- Vervang het aluminium oliefilter.

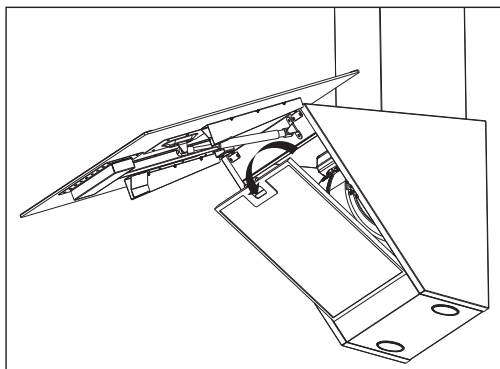
4 Reiniging en onderhoud



Trek de stekker uit het stopcontact of zet de schakelaar uit voordat u het product reinigt en onderhoudt.

4.1 Reinigen van aluminium oliefilter

Dit filter houdt de oliedeeltjes in de lucht vast. Aluminium oliefilters kunnen van kleur veranderen als ze worden gewassen; dit is normaal en vereist geen vervanging van uw aluminium oliefilters.



(Afbeelding 4)

- Duw het aluminium oliefilterslot naar voren.
- Trek hem dan iets naar beneden en trek hem eruit (Afbeelding 4). Anders kun je het filter buigen. Was en spoel aluminium oliefilters met vloeibaar wasmiddel en Vervang de aluminium oliefilters in hun contactdozen door de bovenstaande stappen in omgekeerde volgorde uit te voeren. Dit filter houdt de oliedeeltjes in de lucht vast.



U mag uw aluminium oliefilters wassen in de vaatwasser.

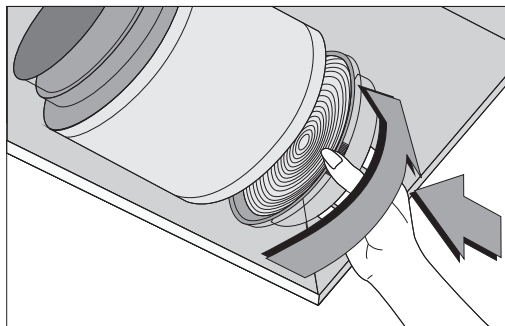


OPGELET

Bij normaal gebruik moet u uw filter één keer per maand reinigen.

4.2 Vervanging van koolstoffilters

Geurverwijderende filters bevatten houtskool (actieve kool). Vetfilters moeten in het product worden geïnstalleerd, ongeacht of er al dan niet koolstoffilters worden gebruikt.



(Afb. 5)

- Verwijder het aluminium oliefilter (Afbeelding 4).
- Om het koolstoffilter te verwijderen, verwijdert u het koolstoffilter uit de behuizing door het tegen de wijzers van de klok in te draaien op het tabblad (Afbeelding 5).
- Installeer het nieuwe koolstoffilter.
- Installeer het aluminium oliefilter.



OPGELET

Koolstoffilter mag nooit worden gewassen.



OPGELET

Vervang de koolstoffilters eens in de 3 maanden.



OPGELET

Het koolstoffilter is verkrijgbaar bij de geautoriseerde diensten.

5 Installatie van het toestel



WAARSCHUWING!

Lees de veiligheidsinformatie in de gebruikershandleiding voordat u met de installatie begint.



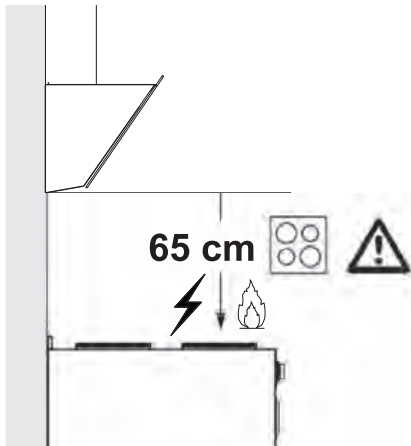
WAARSCHUWING!

Het niet installeren met schroeven en stabilisatoren in overeenstemming met deze instructies kan leiden tot elektrische schokken.

Neem voor de installatie van de kap contact op met de dichtstbijzijnde geautoriseerde service.

Het is de verantwoordelijkheid van de klant om de locatie en de elektrische installatie van de kap voor te bereiden.

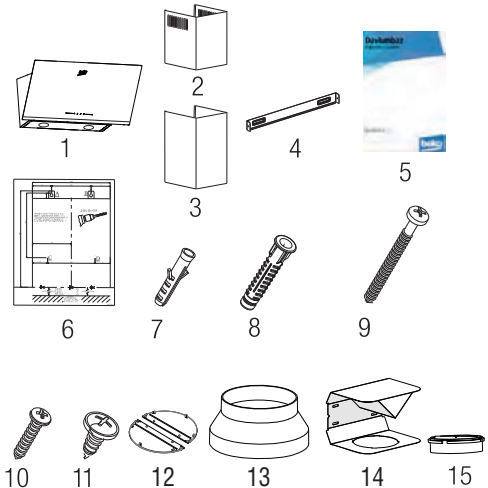
5.1 Positie van het toestel



(Afbeelding 6)

- De afstand tussen het kooktoestel en de afzuigkap moet vóór de montage in acht worden genomen. Deze afstand moet 65 cm bedragen (Afbeelding 6).
- Bij gasfornuizen moet de afstand tot het oppervlak van het rooster worden gemeten,
- van het oppervlak van glas voor elektrische fornuizen.

5.2 Installatie toebehoren



1. Product
2. Binnenkanaal
3. Buitenste rookkanaal
4. Schoorsteenaansluiting Plaatje
5. Gebruikershandleiding
6. Assemblage patroon
7. 2x Ø6mm Plastic deugel
8. 4x Ø8mm Plastic deugel
9. 4x 4.8x50 Wandmontageschroef
10. 2x 3.9x22 Muurbevestigingsschroef
11. 4x 3.5x9.5 Muurbevestigingsschroef
12. Schoorsteenkleem
13. 150/120Mm Kunststof rookgasadapter
14. LuchtfILTER
15. Plastic adapter (luchtomleiding)

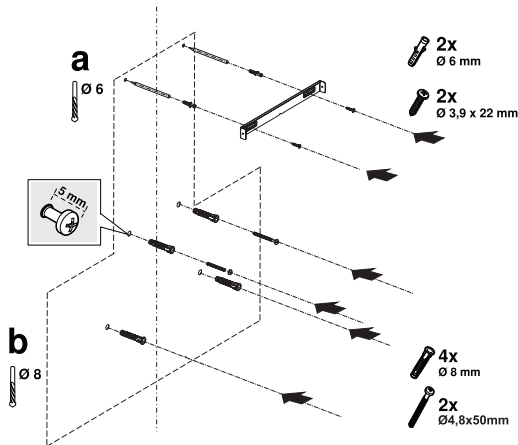
De informatie die nodig is om de locatie geschikt te maken voor de installatie van de kap wordt hieronder gegeven.

5.3 Wandmontage

- De wand moet vlak en recht zijn en voldoende draagkracht hebben.
- De diepte van de boorgaten moet overeenkomen met de lengte van de bouten.
- De meegeleverde bouten en deugels

5 Installatie van het toestel

zijn geschikt voor gemetselde muren. Voor ander bouw materiaal (bv. gipsplaat, plaat, poreus beton) moeten geschikte bevestigingsdonsels en moeren worden gebruikt.



(Afbeelding 7)

OPGELET

Controleer voor het boren of er geen stroom-, gas- of waterleidingen in de nabijheid van de boorlocaties liggen.

Trek een middellijn vanaf het plafond loodrecht op de onderrand van de kap ().

Plak de meegeleverde installatiesjabloon in de accessoires op het oppervlak waar de kap moet worden gemonteerd. Let hierbij op de montagehoogte van de kap (Pagina 12 / Afbeelding 6).

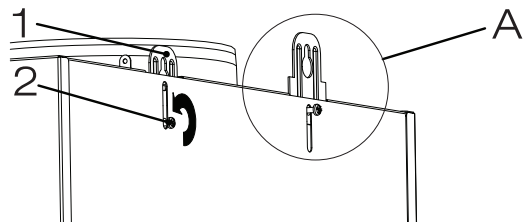
Er zit een lipje in het midden van de rookgasaansluitplaat. Plaats het middelste punt van dit lipje op de lijn die loodrecht op de muur is getekend. Stel hierbij de kap in op de maximale hoogte (Pagina 8 / Afbeelding 1). Markeer met behulp van een pen de

gaten waar de rookgasaansluitplaat wordt gemonteerd (Afbeelding 7/a).

Boor de gemarkeerde punten met Ø6mm boor en steek 2 plastic deuvels in de geboorde gaten (Afbeelding 7/a). Bevestig de rookgasaansluitplaat aan de wand met 3,9x22 schroeven (Afbeelding 7/a).

Voor de montage van de kapbehuizing kunt u de Ø8mm boor gebruiken om de punten A, B, C, D op het montagesjabloon te boren en op deze punten 4,8x50mm kunststof deuvels in te voegen. (Afbeelding 7/b).

2 stuks 4,8x50 ophangschroef met een speling van 5 mm tussen de schroefkop en de wand (Afbeelding 7/b).



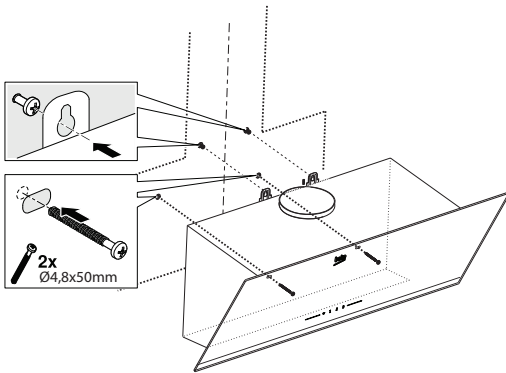
(Afbeelding 8)

1. klemplaat
2. Ophangplaat Aansluitingsschroef

Om uw kap aan de wand te monteren, draait u de schroeven van de op de motorcabine gemonteerde ophangplaten los en trekt u ze omhoog, waarna u ze weer vastmaakt (Afbeelding 8 / A).

Zet het aanzuigglas van de kap aan en verwijder het aluminium oliefilter (Pagina 11 / Afbeelding 4).

5 Installatie van het toestel

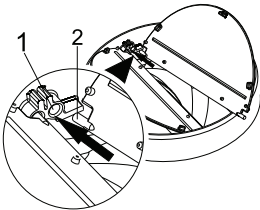


(Afbeelding 9)

Houd de afzuigkap bij de romp vast en plaats deze op de bevestigingsschroeven aan de wand en draai de schroeven vast (Afbeelding 9).

Bevestig de afzuigkap met twee 4,8x50 schroeven aan de wand door het bevestigingsgat aan de binnenzijde van het toestel (Afbeelding 9).

5.4 Aansluiten op rookkanaal



(Afbeelding 10)

- 1- Klepstiftcontactdoos
- 2- Kleppenstift

Steek de plastic pin (Afbeelding 10 / gebied nr. 2) op de pennenbus op de motoruitlaat (Afbeelding 10 / gebied nr. 1). Buig vervolgens de klep licht om de andere pin op de klep in te steken en steek de andere pin in het stopcontact (Afbeelding 10).

Als u de kunststof rookgasadapter \varnothing 120/150 mm gaat gebruiken, sluit u één uiteinde van de buis aan op deze adapter, als u deze niet

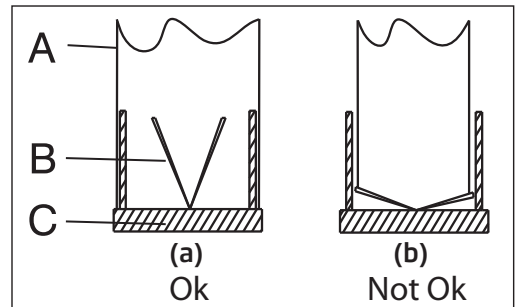
gaat gebruiken, op de directe uitgang van het product. Sluit het andere uiteinde van de buis aan op uw schoorsteen. Controleer of deze twee aansluitingen stevig genoeg zijn, zodat ze er niet uitkomen als het apparaat op volle kracht draait. Zorg ervoor dat de kleppen in het rookkanaal werken als ze met een klem worden vastgezet. Sluit het rookgas aansluitkanaal buiten de adapter aan (Afbeelding 11/a). Als het aansluitkanaal in de adapter is gemonteerd, mag er geen lucht worden aangezogen, omdat de rookgasklep die de lucht afvoer verhindert, gesloten blijft (Afbeelding 11 / b). De lengte van de pijp aansluiting en het aantal ellebogen moet zo klein mogelijk zijn.

A : Rookgasafvoerpijp

B : Schoorsteenkleppen

C: Kunststof rookkanaal

De ventielen zijn gesloten dan werkt het toestel niet en voorkomen dat er mogelijk geur en stof van buitenaf binnendringt.



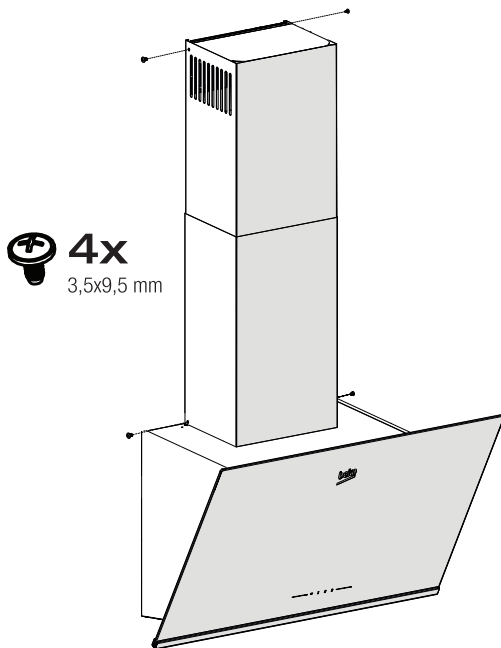
(Afbeelding 11)

5 Installatie van het toestel

5.5 Plaatsing van de kap aan de schoorsteenmantel

Maak de elektrische aansluiting van uw afzuigkap voordat u begint met de installatie van de schoorsteen. Schuif de schoorsteenplaten om het lichaam heen. Schroef de schoorsteen op de beschikbare schoorsteenbevestigingsplaten in de motorcabine. (Afbeelding 12)

Installeer het rookkanaal op de bevestigingsplaat van het rookkanaal, die vanaf de bovenste buitenranden aan de muur is bevestigd (Afbeelding 12).

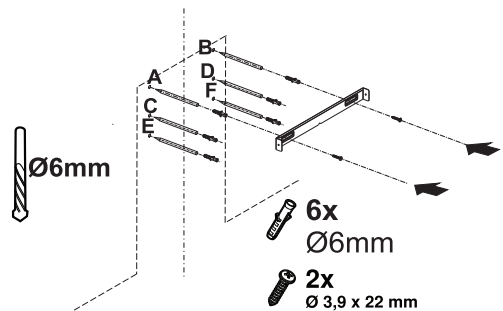


(Afb. 12)

5.6 Installatie van het Air Baffle

(BHCA 64640 BH - BHCA 94640 BH - BHCA 94640 WH)

Tijdens het gebruik van de koolstoffilter wordt het luchtfilter bij uw toestel geleverd met als doel de lucht die met de koolstoffilter is gereinigd, weer vrij te maken van de geperforeerde plaats op de schoorsteen. Monteer het luchtschot zoals hieronder.



(Afb. 13)

Er zit een lijn in het midden van de rookgas aansluitplaat. Plaats het middelste punt van dit lijn op de lijn die loodrecht op de muur is getekend. Lijn horizontaal uit en markeer de gaten waar de aansluitplaat met een pen wordt gemonteerd (Afbeelding 13 / A, B).

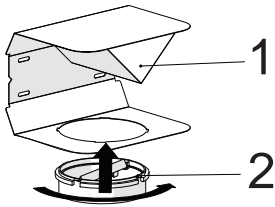
Boor de gemarkeerde punten met $\text{\O}6\text{mm}$ boor en steek twee $\text{\O}6\text{mm}$ plastic deuvels in de geboorde gaten (Afbeelding 13 / A, B).

Bevestig de rookgas aansluitplaat aan de wand met 3,9x22 schroeven (Afbeelding 13 / A, B).

Voor de montage van het luchtkussen, boorpunten C, D, E, F met een $\text{\O}6\text{mm}$ boor en tik op de $\text{\O}6\text{mm}$ kunststof deuvels (Afbeelding 13).

Monteer de behuizing van de afzuigkap (Pagina 14 / Afbeelding 9).

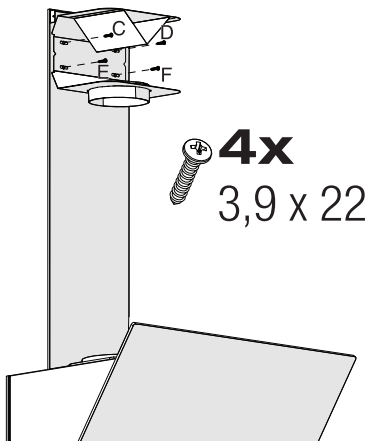
5 Installatie van het toestel



(Afbeelding 14)

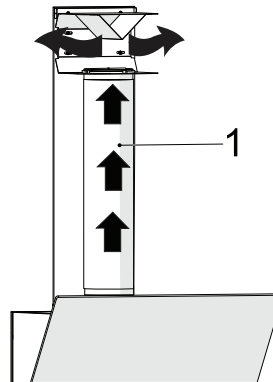
- 1- Luchtfilter
- 2- Kunststof rookkanaal

Bevestig de plastic rookgasadapter, die in de verpakking zit, in de richting van het luchtgordijn. Vergrendel de rookgasadapter door deze in de richting van de pijl te draaien (afbeelding 14).



(Afb. 15)

Monteer de luchtgroep met 3,9 x 22 schroeven van punt C, D, E, F die u al heeft voorbereid (Afbeelding 15).



(Afb. 16)

- 1- Aluminium luchtuitlaatpijp
- Maak de luchtuitblaaspijp montage (Afbeelding 16).



Aangezien kronkels en bochten in de aluminium buis zullen resulteren in een lager afzuigvermogen moet u kronkels en bochten zo veel mogelijk vermijden.

Installeer de schoorsteenplaten van de kap (Pagina 14 / Afbeelding 9)

6 Probleemoplossen

Probleemoplossen	Oorzaak	Help
Apparaat werkt niet:	Controleer je zekeringen.	Zekering kan worden opgeblazen, geïnspecteerd en hersteld.
Apparaat werkt niet:	Controleer de elektrische aansluiting.	De netspanning moet tussen 220 en 240 V liggen.
Apparaat werkt niet:	Controleer de elektrische aansluiting.	Controleer of een ander apparaat in uw keuken werkt.
Verlichtingslicht werkt niet.	Controleer de elektrische aansluiting.	De netspanning moet tussen 220 en 240 V liggen.
Verlichtingslicht werkt niet.	Inspecteer de lichtschakelaar.	De schakelaar van de lamp moet in de "aan"-stand staan.
Verlichtingslicht werkt niet.	Inspecteer de lampen.	De lampen van het toestel moeten branden.
De luchtinlaat van het apparaat is onvoldoende.	Inspecteer het aluminium filter.	Onder normale bedrijfsomstandigheden moet het aluminium oliefilter ten minste eenmaal per maand worden gereinigd.
De luchtinlaat van het apparaat is onvoldoende.	Controleer het luchtafvoerkanaal.	Het luchtafvoerkanaal moet in de "aan"-stand staan.
De luchtinlaat van het apparaat is onvoldoende.	Inspecteer het koolstoffilter.	De filters van de apparaten met koolstoffilters moeten onder normale omstandigheden één keer per drie maanden worden vervangen.

Proszę najpierw przeczytać ten przewodnik!

Drogi kliencie,

Dziękujemy za wybór produktu BEKO. Chcemy, abyś osiągnął optymalną wydajność dzięki temu wysokiej jakości produktowi, który został wyprodukowany przy użyciu najnowocześniejszej technologii. Przed użyciem należy dokładnie przeczytać i zrozumieć ten przewodnik oraz dokumentację uzupełniającą oraz zachować go do wykorzystania w przyszłości. Dołącz ten przewodnik do urządzenia, jeśli przekażesz go komuś innemu. Przestrzegaj wszystkich ostrzeżeń i informacji zawartych w tym dokumencie i postępuj zgodnie z instrukcjami.

Należy pamiętać, że ta instrukcja obsługi może się odnosić do kilku modeli produktu. W instrukcji zostały wyraźnie określone różnice między modelami.

Symbole i ich znaczenie

Poniższe symbole są używane w tym przewodniku:



Ważne informacje i zalecenia dotyczące użytkowania urządzenia.



UWAGA: Ostrzeżenia dotyczące obrażeń ciała lub szkód materialnych.



Ryzyko porażenia prądem,



Ryzyko pożaru.



Ten produkt został wyprodukowany w nowoczesnych obiektach z poszanowaniem środowiska bez szkody dla przyrody.

1 Ważne instrukcje dotyczące bezpieczeństwa i ochrony środowiska

1.1 Ogólne zasady dotyczące bezpieczeństwa

Ważne zasady dotyczące bezpieczeństwa. Przeczytaj je uważnie i zachowaj na przyszłość. Rozdział ten zawiera instrukcje zachowania bezpieczeństwa, które pomogą chronić się przed ryzykiem pożaru, porażenia prądem elektrycznym, wycieku mikrofal, obrażeniami ciała lub szkodami w mieniu. Nieprzestrzeganie tych instrukcji spowoduje unieważnienie gwarancji.

- Produkty firmy Beko spełniają wszystkie wymogi stosownych norm bezpieczeństwa. W przypadku jakiegokolwiek uszkodzenia urządzenia lub przewodu zasilającego, aby uniknąć wszelkich zagrożeń, należy oddać je do naprawy lub wymiany przez sprzedawcę, punkt serwisowy lub specjalistę albo autoryzowany serwis. Błędna lub niefachowa naprawa może być niebezpieczna i powodować zagrożenie dla użytkowników.
- To urządzenie jest przeznaczone do użytku domowego i podobnych zastosowań, na przykład:
 - na zapleczu kuchennym przez personel sklepów, biur i innych miejsc pracy;
 - w gospodarstwach rolnych;
 - do użytku przez klientów hoteli i innych obiektów noclegowych;
 - w pensjonatach.
- Urządzenie należy stosować tylko zgodnie z jego przeznaczeniem, w sposób opisany

w niniejszej instrukcji.

- Producent nie ponosi odpowiedzialności za szkody powstałe w wyniku nieprawidłowej instalacji lub niewłaściwego stosowania produktu.
- Urządzenie może być obsługiwane przez dzieci w wieku 8 lat i starsze, osoby o ograniczonych możliwościach fizycznych, postrzegania lub umysłowych, a także osoby bez doświadczenia lub wiedzy w zakresie obsługi urządzenia, o ile będą one pod nadzorem lub zostaną szczegółowo poinstruowane o bezpiecznym korzystaniu z urządzenia i zrozumieją potencjalne zagrożenia.
- Nie należy pozwalać dzieciom bawić się urządzeniem. Dzieci nie mogą czyścić ani konserwować urządzenia bez nadzoru.
- Minimalna odległość pomiędzy powierzchniami podpór garnków znajdującymi się na szczycie kuchenki a najniższą częścią produktu musi wynosić co najmniej 65 cm.
- Jeżeli w instrukcji instalacji gazowej płyty kuchennej podano odległość większą, wówczas należy zastosować wskazaną wartość.
- Zasilanie z domowej sieci elektrycznej musi być zgodne z informacjami podanymi na tabliczce znamionowej urządzenia.
- Urządzenia nie wolno nigdy używać, jeśli przewód zasilający lub samo urządzenie są uszkodzone.

1 Ważne instrukcje dotyczące bezpieczeństwa i ochrony środowiska

- Aby zapobiec uszkodzeniu przewodu zasilającego, nie wolno dopuścić do jego ściskania, zginania lub ocierania o ostre krawędzie. Trzymaj przewód zasilający z dala od gorących powierzchni i otwartego ognia.
 - Urządzenia można używać tylko wtedy, gdy jest podłączone do gniazda ściennego z uziemieniem.
- OSTRZEŻENIE:** Podłącz urządzenie do zasilania dopiero po całkowitym zakończeniu montażu.
- Urządzenie ustaw tak, aby zawsze był możliwy dostęp do wtyczki.
 - Nie należy dotykać lamp, jeśli były włączone przez długi czas. Grozi to poparzeniem dłoni gorącą żarówką.
 - Należy stosować się do wymagań dotyczących odprowadzania powietrza wywiewanego (to ostrzeżenie nie dotyczy sytuacji korzystania z okapu bez przewodu spalinowego).
 - Okap należy uruchamiać po ustawieniu garnka, patelni itp. na płycie grzewczej. W przeciwnym wypadku wysoka temperatura może doprowadzić do zniekształcenia niektórych części produktu.
 - Okap należy wyłączać przed zdjęciem garnka, patelni itp. z płyty grzewczej.
 - Nie pozostawiać rozgrzanego oleju na płycie grzewczej. Garnki z gorącym olejem mogą się zapalić samoczynnie.
 - Należy uważać na zasłony i inne elementy osłaniające okna, ponieważ olej może zapalić się samoczynnie podczas smażenia np. frytek.
 - Filtr tłuszczu należy wymieniać co najmniej raz w miesiącu. Filtr węglowy należy wymieniać co najmniej raz na 3 miesiące.
 - Produkt należy czyścić zgodnie z instrukcją obsługi. Czyszczenie w sposób niezgodny z instrukcją obsługi może prowadzić do ryzyka pożaru.
 - Zabrania się stosowania materiałów filtracyjnych nieodpornych na ogień zamiast właściwych filtrów.
 - Należy stosować wyłącznie oryginalne lub zalecane przez producenta części zamienne.
 - Nie uruchamiać produktu bez zamontowanego filtra ani nie wyjmować filtrów z pracującego okapu.
 - W razie pojawienia się płomieni odłączyć produkt oraz urządzenia kuchenne od zasilania.
 - W razie pojawienia się płomieni przykryć płomień i w żadnym wypadku nie gasić go wodą.
 - Przed każdym czyszczeniem urządzenia i gdy nie jest ono używane należy wyjąć wtyczkę z gniazda ściennego.
 - Podciśnienie w otoczeniu nie może przekraczać 4 Pa (4×10 barów) przy równoczesnym działaniu okapu nad elektryczną

1 Ważne instrukcje dotyczące bezpieczeństwa i ochrony środowiska

płytą grzewczą i urządzeń AGD zasilanych elektrycznie prądem o innych parametrach.

- Jeśli w pomieszczeniu, w którym działa okap, są wykorzystywane urządzenia zasilane olejem opałowym lub gazem, jak np. ogrzewacze pomieszczeń, to wylot spalin z takich urządzeń musi być całkowicie odizolowany lub takie urządzenia muszą być hermetyczne.
- Jako przewody spalinowe należy stosować rury o średnicy 120 lub 150 mm. Rura łącząca musi być możliwie jak najkrótsza i mieć jak najmniej kolanek.

Niebezpieczeństwo zadławienia! Wszystkie materiały opakowaniowe należy trzymać z dala od dzieci.

OSTRZEŻENIE: Jeśli jest to okap nad kuchnią, jego wystające części mogą się nagrzewać.

- Wylotu produktu nie wolno przyłączać do kanałów powietrznych, które odprowadzają inny dym.
- Wentylacja w pomieszczeniu może być niewystarczająca w przypadku równoczesnego korzystania z okapu nad elektryczną płytą grzewczą oraz urządzeń zasilanych gazem lub innymi paliwami (niniejsze ostrzeżenie może nie dotyczyć urządzeń, które odprowadzają powietrze z powrotem do pomieszczenia).
- Przedmioty znajdujące się na produkcie mogą spaść. Nie stawiać żadnych przed-

miotów na produkcie.

- Nie flambirować bezpośrednio nad urządzeniem.

OSTRZEŻENIE: Przed zamontowaniem okapu usunąć folię ochronną.

- Nie wolno pozostawiać otwartego ognia pod działającym okapem
- Frytkownice trzeba stale obserwować w trakcie użytkowania: przegrzany olej może zająć się płomieniem.

1.2 Zgodność z dyrektywą WEEE i pozbywanie się zużytych wyrobów:

Wyrób ten jest zgodny z dyrektywą Unii Europejskiej w sprawie zużytego sprzętu elektrycznego i elektronicznego (WEEE) (2012/19/UE). Wyrób opatrzony jest symbolem

klasyfikacyjnym dla zużytego sprzętu elektrycznego i elektronicznego (WEEE).



Symbol ten oznacza, że produktu nie należy utylizować z innymi domowymi śmieciami po zakończeniu okresu użytkowania. Zużyte urządzenia należy oddać do oficjalnego punktu odbioru zajmującego się recyklingiem urządzeń elektrycznych i elektronicznych. Aby odnaleźć tego typu miejsce, należy skontaktować się z lokalnymi władzami lub sprzedawcą, u którego zakupiono produkt. Każde gospodarstwo domowe odgrywa ważną rolę w odzyskiwaniu i recyklingu starych urzą-

1 Ważne instrukcje dotyczące bezpieczeństwa i ochrony środowiska

dzień.

Odpowiednia utylizacja zużytego urządzenia pomaga zapobiegać potencjalnie negatywnym konsekwencjom dla środowiska i zdrowia ludzi.

1.3 Zgodność z dyrektywą RoHS

Zakupiony wyrób jest zgodny z dyrektywą RoHS Unii Europejskiej (2011/65/UE). Nie zawiera szkodliwych ani zakazanych materiałów wyszczególnionych w tej Dyrektywie.

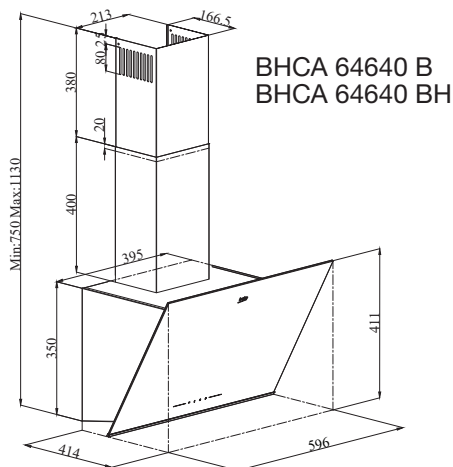
1.4 Informacje o opakowaniu



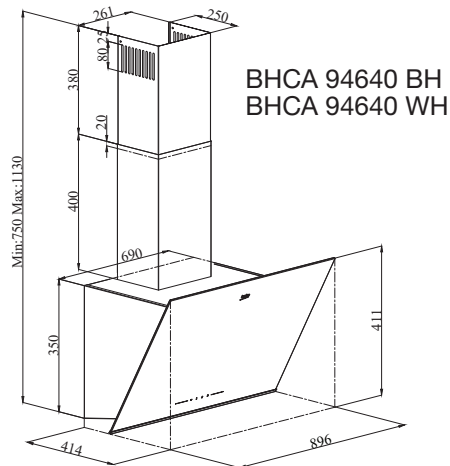
Materiały, w które opakowany jest produkt zostały wyprodukowane z surowców uzyskanych w procesie recyklingu zgodnie z krajowymi przepisami z zakresu ochrony środowiska. Nie należy utylizować materiałów opakowaniowych wraz z innymi odpadami domowymi. Należy oddać je w jednym z punktów zbiórki materiałów opakowaniowych wyznaczonych przez władze lokalne.

2 Ogólny wygląd

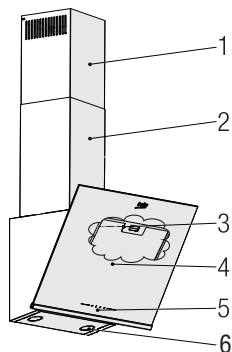
2.2 Omówienie



(Rys. 1)



(Rys. 2)



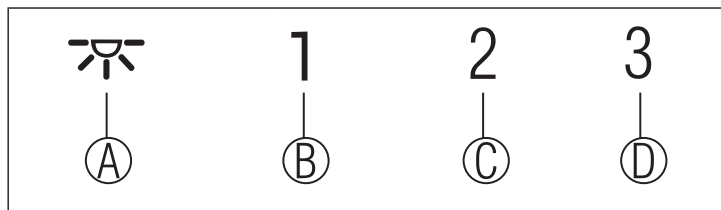
1. Wewnętrzny kanał spalinowy
2. Zewnętrzny przewód kominowy
3. Aluminiowe filtry oleju (za szklaną pokrywą)
4. Szklana pokrywa
5. Zespół sterujący
6. Lampa

2.2 Dane techniczne

Model	BHCA 64640 B BHCA 64640 BH	BHCA 94640 BH BHCA 94640 WH
Napięcie zasilania	220-240V ~ 50 Hz	
Moc lampy	2 x 3 W	
Moc silnika	210 W	
Przepływ (m ³ /h) - 3. Poziom	631 m ³ /h	623 m ³ /h
Klasa izolacji silnika	Klasa F	
Klasa izolacji	Klasa I	

3 Działanie urządzenia

3.1 Sterowanie urządzeniem



PRZYCISK	FUNKCJA
(A) : Światło włączone/ wyłączone	Możesz podświetlić powierzchnię gotowania naciśnięciem tego przycisku. Naciśnij przycisk ponownie, aby wyłączyć lampę.
(B) : Przycisk 1. stopnia	Obsługuje urządzenie na 1. prędkości. Po ponownym naciśnięciu tego przycisku, aby wyłączyć urządzenie, ekran stopnia prędkości wyłącza się.
(C): Przycisk 2. stopnia	Obsługuje urządzenie na 2. prędkości. Po ponownym naciśnięciu tego przycisku, aby wyłączyć urządzenie, ekran stopnia prędkości wyłącza się.
(D) : Przycisk 3. stopnia	Obsługuje urządzenie na 3. prędkości. Po ponownym naciśnięciu tego przycisku, aby wyłączyć urządzenie, ekran stopnia prędkości wyłącza się.

3.2 Wydajność pracy pod względem energooszczędności Wykorzystanie

- Podczas korzystania z okapu dostosuj ustawienia prędkości do intensywności oparów i zapachu, aby oszczędzać energię.
- Używaj niskich prędkości (1-2) w normalnych warunkach i wysokich prędkości (3) przy silnym zapachu i intensywnych oparach.
- * Lampy w okapie są umieszczone w celu oświetlenia kuchni.

Wykorzystanie ich do oświetlenia otoczenia powoduje niepotrzebne wydatki na energię i zapewnia niewystarczające oświetlenie.

3.3 Instrukcje użytkownika

- Twoje urządzenie posiada silnik, który pracuje z różnymi prędkościami.
- Aby uzyskać lepszą wydajność, zalecamy

stosowanie niskich prędkości w normalnych warunkach i dużych prędkości w przypadkach silnego zapachu i intensywnych oparów.

- Możesz uruchomić urządzenie, naciskając przycisk żądanego ustawienia prędkości. (B, C, D)
- Możesz podświetlić powierzchnię gotowania włączając lampę (A).

3.4 Automatyczne zatrzymanie

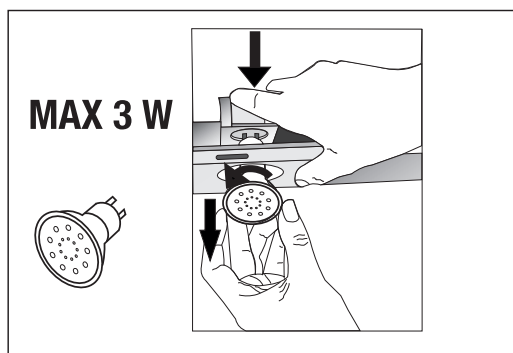
Twoje urządzenie posiada funkcję automatycznego zatrzymania, umożliwiającą jeszcze lepszą wentylację oraz usuwanie niepożądanych zapachów i oparów z otoczenia oraz automatycznego wyłączenia po zakończeniu gotowania. Aby włączyć funkcję automatycznego zatrzymania, naciśnij dowolny przycisk stopnia prędkości (B, C, D) na panelu sterowania przez ponad 2 sekundy; włączy się funkcja wyłączenia po 15 minutach.

3 Działanie urządzenia

Gdy funkcja automatycznego zatrzymania jest aktywna, naciśnięcie tego samego przycisku prędkości wyłącza funkcję automatycznego zatrzymania i silnik urządzenia zatrzymuje się. Ta funkcja wyłącza się, gdy przełączasz się między różnymi stopniami prędkości.

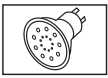
Jeśli chcesz, aby urządzenie zatrzymało się automatycznie, musisz ponownie włączyć funkcję automatycznego zatrzymania.

3.5 Wymiana lamp

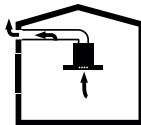


(Rys. 3)

Wykonaj połączenia elektryczne urządzenia. Twoje urządzenie wykorzystuje punktową lampę LED o mocy 3W. Aby wymienić, popchnij uchwyt lampy w dół, obróć ją w lewo i pociągnij w dół. Zastosuj powyższą operację w odwrotnej kolejności, aby zainstalować nowe lampy (rys. 3).

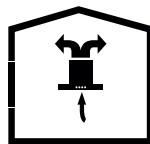
Żarówka	
Moc żarówki (W)	3
Uchwyt/gniazdo	GZ 10
Napięcie żarówki (V)	220 - 240
Wymiary (mm)	53 x 50
Kod ILCOS	DR/F3-220-240-GZ10-50-53

3.6 Praca z odprowadzaniem spalin



- Opary są odprowadzane przez kanał spalinowy, który jest przymocowany do głowicy przyłączeniowej na okapie.
- Średnica kanału spalinowego musi być taka sama jak pierścienia przyłączeniowego. W ustawieniach poziomych rura musi mieć niewielkie nachylenie do góry (około 10°), aby powietrze mogło łatwo opuścić pomieszczenie.

3.7 Praca bez odprowadzania spalin



- Powietrze jest filtrowane przez filtr węglowy i recykulowane w pomieszczeniu. Filtr węglowy stosuje się, gdy nie można skorzystać z przewodu kominowego w domu.
- W przypadku zastosowania bez odprowadzania spalin, usuń klapy wewnątrz adaptera do przewodu kominowego.
- Wyjmij filtr olejowy. Aby zainstalować filtr węglowy, dopasuj filtr do wypustek, wysrodkowując go na plastikowym elemencie po obu stronach korpusu wentylatora. Dokręć, obracając w prawo lub w lewo.
- Wymień aluminiowy filtr oleju.

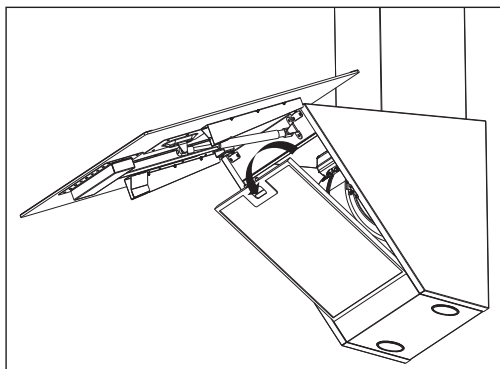
4 Czyszczenie i konserwacja



Przed czyszczeniem i konserwacją należy odłączyć produkt od zasilania lub wyłączyć przetłacznik.

4.1 Czyszczenie aluminiowego filtra oleju

Ten filtr zatrzymuje cząsteczki oleju w powietrzu. Aluminiowe filtry oleju mogą zmieniać kolor podczas mycia; jest to normalne i nie wymaga wymiany aluminiowych filtrów oleju.



(Rys. 4)

- Popchnij blokadę aluminiowego filtra oleju do przodu.
- Następnie pociągnij go lekko w dół i wyciągnij (rys. 4). W przeciwnym razie możesz wyjąć filtr. Aluminiowe filtry oleju umyj i wypłucz płynnym detergentem i włóż umieść je z powrotem na ich gniazdach, wykonując powyższe czynności w odwrotnej kolejności. Ten filtr zatrzymuje cząsteczki oleju w powietrzu.



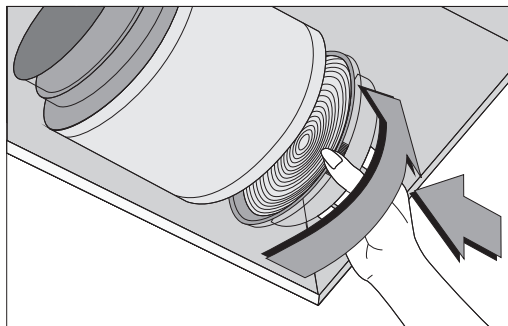
Możesz myć aluminiowe filtry oleju w zmywarce do naczyń.



UWAGA
W przypadku normalnego użytkowania wyczyść filtr raz na miesiąc.

4.2 Wymiana filtra węglowego

Filtry usuwające nieprzyjemny zapach zawierają węgiel drzewny (węgiel aktywny). W produkcji muszą być zainstalowane filtry tłuszczu, niezależnie od tego, czy są stosowane filtry węglowe.



(Rys. 5)

- Wyjmij aluminiowy filtr oleju (rys. 4).
- Aby wyjąć filtr węglowy, wyjmij go z obudowy, obracając go w lewo z zaczepu (rys. 5).
- Zainstaluj nowy filtr węglowy.
- Zainstaluj aluminiowy filtr oleju.



UWAGA
Nie wolno myć filtra węglowego.



UWAGA
Wymieniaj filtry węglowe co 3 miesiące.



UWAGA
Filtr węglowy można zakupić w autoryzowanych serwisach.

5 Instalacja urządzenia



OSTRZEŻENIE!

Przed rozpoczęciem instalacji przeczytaj informacje dotyczące bezpieczeństwa w instrukcji obsługi.



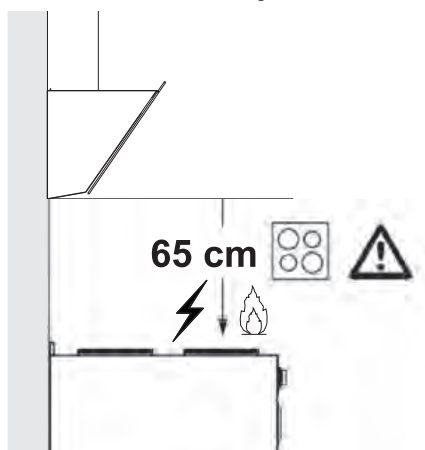
OSTRZEŻENIE!

Niezainstalowanie za pomocą śrub i stabilizatorów zgodnie z niniejszą instrukcją może spowodować porażenie prądem.

Aby zainstalować okap, skontaktuj się z najbliższym autoryzowanym serwisem.

Obowiązkiem klienta jest przygotowanie lokalizacji i instalacji elektrycznej okapu.

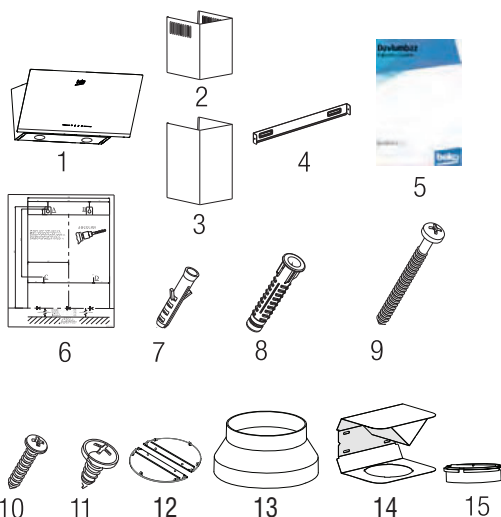
5.1 Pozycja urządzenia



(Rys. 6)

- Przed montażem należy wziąć pod uwagę odległość między kuchenką a okapem kuchennym. Odległość ta powinna wynosić 65cm (rys. 6).
- W przypadku kuchenek gazowych odległość należy zmierzyć od powierzchni rusztu
- lub od szklanej powierzchni kuchenek elektrycznych.

5.2 Akcesoria instalacyjne



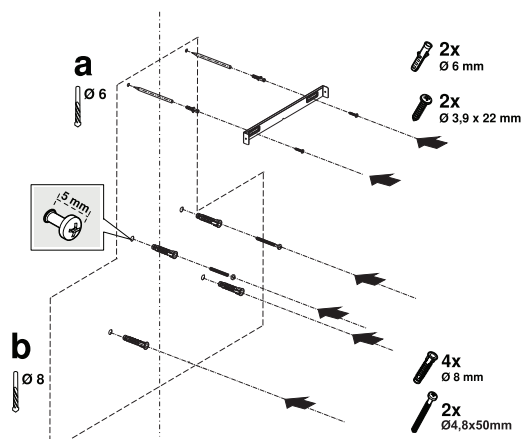
1. Produkt
2. Wewnętrzny kanał spalinowy
3. Zewnętrzny przewód kominowy
4. Płyta przyłączeniowa przewodu kominowego
5. Instrukcja obsługi
6. Wzór montażu
7. 2 plastikowe kołki $\varnothing 6\text{mm}$
8. 4 plastikowe kołki $\varnothing 8\text{mm}$
9. 4 wkręty do ściany 4,8x50
10. 2 wkręty do mocowania płyty przyłączeniowej przewodu kominowego 3,9x22
11. 4 wkręty do mocowania do przewodu kominowego 3,5x9,5
12. Zacisk montażowy
13. Plastikowy adapter do przewodu kominowego 150/120mm
14. Nawiewka powietrza
15. Łącznik plastikowy (rozdzielacz powietrza)

Informacje wymagane, aby lokalizacja była odpowiednia do montażu okapu, podano poniżej.

5 Instalacja urządzenia

5.3 Montaż naścienny

- Ściana musi być płaska, prosta i mieć wystarczającą nośność.
- Głębokość wierconych otworów musi odpowiadać długości śrub.
- Dostarczone wkręty i kołki nadają się do ścian z cegły. W przypadku innych materiałów budowlanych (np.: płyt kartonowo-gipsowych, płyty, porowatego betonu) należy zastosować odpowiednie kołki ustalające i nakrętki.



(Rys. 7)

UWAGA



Przed wierceniem upewnij się, że w pobliżu miejsc wiercenia nie ma przewodów, rur gazowych ani wodnych.

Narysuj środkową linię lokalizacji od sufitu prostopadłą do dolnej krawędzi okapu ().

Naklej szablon montażu dostarczony z urządzeniem na powierzchni, na której urządzenie ma zostać zainstalowane. Wykonując tę czynność, zwróć uwagę wysokość montażu okapu (str. 12/rys. 6).

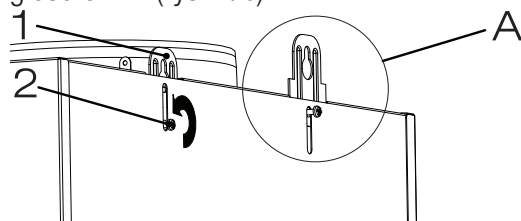
Na środku płyty przyłączeniowej komina znajduje się języczek. Umieść jego środkowo-

wy punkt na linii narysowanej prostopadłe do ściany. Wykonując tę czynność, zwróć uwagę na maksymalną wysokość okapu (str. 8/rys. 1). Za pomocą pisaka zaznacz otwory, w których zostanie zamontowana płyta przyłączeniowa przewodu kominiowego (rys. 7/a).

Wywierć otwory w zaznaczonych punktach wiertłem Ø6mm i włóż 2 do nich plastikowe kołki (rys.7/a). Przymocuj płytę przyłączeniową do ściany za pomocą wkrętów 3,9x22 (rys. 7/a).

Aby zamontować korpus okapu, można użyć wiertła Ø8mm, aby wywiercić otwory w punktach A, B, C, D na szablonie montażowym i włożyć do nich plastikowe kołki 4,8x50mm. (rys. 7/b).

Wkręć 2 śruby zawieszenia 4,8/50 tak, aby łebki odstawały od ściany na odległość 5mm (rys. 7/b).



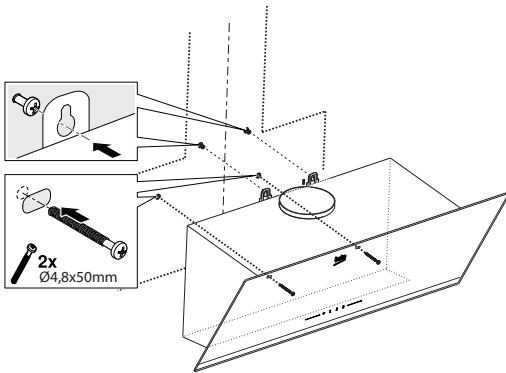
(Rys. 8)

1. Płyta do zawieszania
2. Śruba łącząca płytę do zawieszania

Aby zamontować okap na ścianie, poluzuj śruby na płytach do zawieszania zamontowanych na obudowie silnika i pociągnij je, a następnie ponownie przymocuj (rys. 8/A).

Włącz ssawkę okapu i wyjmij aluminiowy filtr oleju (str. 11/rys. 4).

5 Instalacja urządzenia

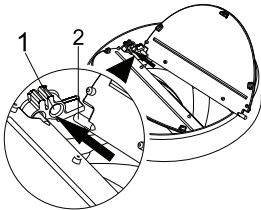


(Rys. 9)

Chwyc okap kuchenny za jego korpus i umieść go na śrubach montażowych na ścianie i dokręć je (rys. 9).

Przymocuj okap kuchenny za pomocą dwóch śrub 4,8x50 do ściany przez otwór montażowy we wnętrzu urządzenia (rys. 9).

5.4 Podłączenie do przewodu kominowego



(Rys. 10)

1- Gniazdo bolca klapki
2- Bolec klapki

Włóż plastikowy bolec (rys. 10/obszar nr 2) w gniazdo bolca na wylocie silnika (rys. 10/obszar nr 1). Następnie lekko zegnij klapkę, aby włożyć drugi kołek na klapce i włóż drugi kołek do gniazda (rys. 10).

Jeśli zamierzasz użyć plastikowego adaptera do przewodu kominowego o śr. Ø120/150mm, podłącz jeden koniec rury do tego adaptera, jeśli nie zamierzasz go używać, bezpośrednio

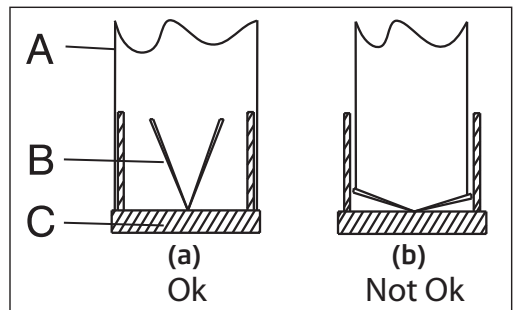
do wylotu urządzenia. Podłącz drugi koniec do przewody kominowego. Sprawdź, czy te dwa połączenia są wystarczająco solidne, aby nie się nie poluzowały, gdy urządzenie działa na pełnej mocy. Upewnij się, że kłapy wewnątrz przewodu kominowego działają po dokręceniu za pomocą zacisku. Podłącz przewód przyłączeniowy przewodu kominowego na zewnątrz adaptera (rys. 11/a). Jeśli przewód przyłączeniowy jest zamontowany wewnątrz adaptera, nie dojdzie do zasysania powietrza, ponieważ kłapa spalinowa, która zapobiega powrotowi powietrza, pozostanie zamknięta (rys. 11/b). Długość połączenia rurowego, jak również liczba kolanek musi być możliwie jak najmniejsza.

A : Rura wylotowa przewodu spalinowego

B : Zaciski przewodu spalinowego

C: Przewód spalinowy z tworzywa sztucznego

Zawory są zamknięte gdy urządzenie nie działa, zapobiegając przedostawaniu się do środka zapachów i kurzu z zewnątrz.



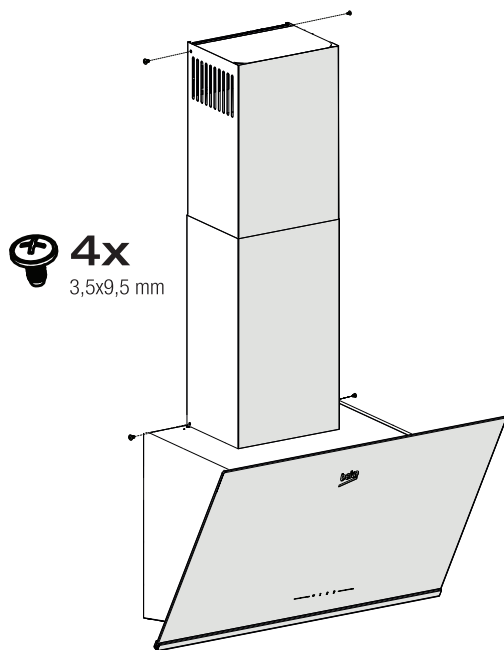
(Rys. 11)

5 Instalacja urządzenia

5.5 Przyłączenie okapu do przewodu kominowego

Wykonaj podłączenie elektryczne okapu przed rozpoczęciem instalacji przewodu spalinowego. Przesuń płyty przewodu spalinowego wokół obudowy. Przykręć przewód spalinowy do płyt mocujących na obudowie silnika. (Rys. 12)

Zamontuj przewód spalinowy do płyty mocującej przewód kominowy, która jest przymocowana do ściany od strony górnych zewnętrznych krawędzi (rys. 12).

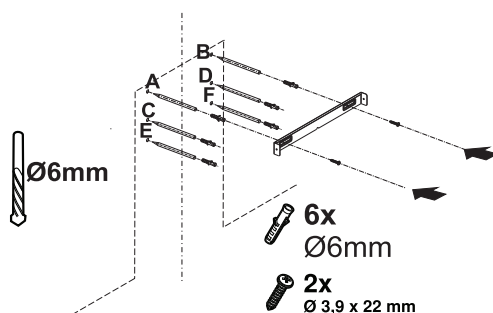


(Rys. 12)

5.6 Instalacja nawiewki powietrza

(BHCA 64640 BH - BHCA 94640 BH - BHCA 94640 WH)

Podczas pracy z filtrem węglowym, nawiewka powietrzna jest dostarczana z urządzeniem w celu ponownego wprowadzenia powietrza, które jest oczyszczane filtrem węglowym z perforacji znajdującej się na przewodzie spalinowym. Zamontuj nawiewkę powietrza jak opisano poniżej.



(Rys. 13)

Na środku płyty przyłączeniowej kominu znajduje się języczek. Umieść jego środkowy punkt na linii narysowanej prostopadle do ściany. Wyrównaj w poziomie i za pomocą pisaka zaznacz otwory, w których zostanie zamontowana płyta łącząca (rys. 13/A, B).

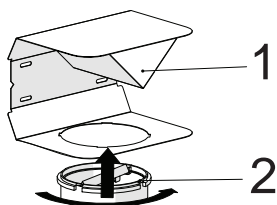
Wywierć otwory w zaznaczonych punktach wiertłem $\text{Ø}6\text{mm}$ i włóż do nich 2 plastikowe kołki $\text{Ø}6\text{mm}$ (rys. 13/A, B).

Przymocuj płytę przyłączeniową do ściany za pomocą wkrętów $3,9 \times 22$ (rys. 13/A, B).

W celu montażu nawiewki powietrza wywierć punkty C, D, E, F za pomocą wiertła o średnicy $\text{Ø}6\text{mm}$ i wbij plastikowe kołki o średnicy $\text{Ø}6\text{mm}$ (rys. 13).

Złóż korpus okapu kuchennego (str. 14/rys. 9).

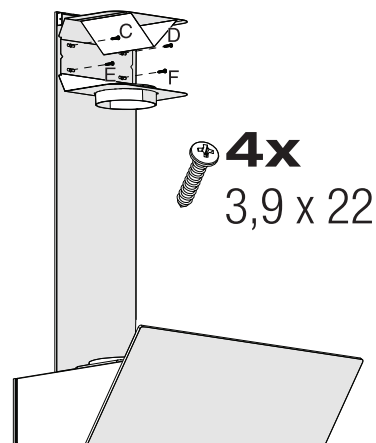
5 Instalacja urządzenia



(Rys. 14)

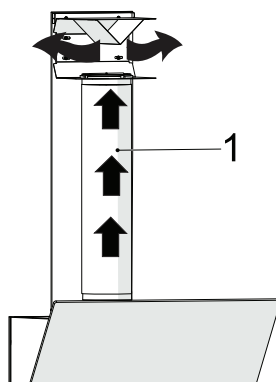
- 1- Nawiewka powietrza
- 2- Przewód spalinowy z tworzywa sztucznego

Przymocuj plastikowy adapter przewodu spalinowego, który znajduje się w opakowaniu, w kierunku nawiewki powietrza. Zablokuj adapter spalin, obracając go w kierunku strzałki (rys. 14).



(Rys. 15)

Zamontuj zespół nawiewki powietrza za pomocą wkrętów 3,9x22 z punktów C, D, E, F, które uprzednio przygotowano (rys. 15).



(rys. 16)

- 1- Aluminiowa rura wylotowa powietrza
- Wykonanie zespołu rury wylotowej powietrza (rys. 16).



Ponieważ zagięcia i skręty w aluminiowej rurze doprowadzą do zmniejszenia siły zasysania powietrza, należy ich unikać.

Zamontuj płyty przewodu spalinowego okapu (str. 14/rys. 9)

6 Rozwiązywanie problemów

Rozwiązywanie problemów	Możliwa przyczyna	Pomoc
Urządzenie nie działa.	Sprawdź bezpieczniki.	Bezpiecznik może zostać przepalony, sprawdź go i wymień.
Urządzenie nie działa.	Sprawdź połączenie elektryczne.	Napięcie sieciowe powinno wynosić od 220 do 240V.
Urządzenie nie działa.	Sprawdź połączenie elektryczne.	Sprawdź, czy działa inne urządzenie w kuchni.
Lampa nie świeci się	Sprawdź połączenie elektryczne.	Napięcie sieciowe powinno wynosić od 220 do 240V.
Lampa nie świeci się	Sprawdź przełącznik lampy.	Przełącznik lampy musi znajdować się w pozycji „wł.”.
Lampa nie świeci się	Sprawdź lampy.	Lampy podświetlenia powinny się zapalić.
Wlot powietrza do urządzenia jest niewystarczający.	Sprawdź filtr aluminiowy.	W normalnych warunkach pracy aluminiowy filtr oleju należy czyścić co najmniej raz w miesiącu.
Wlot powietrza do urządzenia jest niewystarczający.	Sprawdź przewód spalin.	Przewód spalin powinien się znajdować w pozycji „wł.”.
Wlot powietrza do urządzenia jest niewystarczający.	Sprawdź filtr węglowe.	W urządzeniach, które korzystają z filtrów węglowych, w normalnych warunkach powinny być one wymieniane raz na 3 miesiące.

Drodzy Klienci,

Dziękujemy za zakup naszych produktów. Jesteśmy przekonani, że nasze urządzenia będą służyć przez lata. Każdy produkt firmy Beko jest objęty 2-letnim okresem gwarancji.

Warunki gwarancji Beko S.A- (małe urządzenia AGD)

BEKO spółka akcyjna z siedzibą w Warszawie (02-819), przy ulicy Puławskiej 366, wpisana do rejestru przedsiębiorców prowadzonego przez Sąd Rejonowy dla m.st. Warszawy w Warszawie, XIII Wydział Gospodarczy Krajowego Rejestru Sądowego, pod numerem: 0000078147 (dalej: „BEKO”) udziela gwarancji jakości (dalej: „Gwarancja”) na wprowadzone przez BEKO do obrotu na terenie Polski produkty marki BEKO (dalej: „Urządzenia”) osobom, które nabyły te produkty („Użytkownik”) na następujących warunkach:

I. ZAKRES OCHRONY.

BEKO gwarantuje, że Urządzenie zakupione przez Użytkownika jest wolne od wad produkcyjnych lub materiałowych, powstałych z przyczyn tkwiących w tym Urządzeniu (dalej: „Wada”), które ujawnią się w ciągu terminu określonego w części II. niniejszych Warunków Gwarancji (dalej: „Okres Gwarancyjny”).

W razie ujawnienia się Wady Produktu w trakcie Okresu Gwarancyjnego, zostanie ona usunięta na koszt BEKO w sposób uzależniony od właściwości wady, na zasadach i w zakresie określonym w niniejszych Warunkach Gwarancji.

BEKO zobowiązuje się do usunięcia Wady poprzez dokonanie nieodpłatnej naprawy lub wymiany Urządzenia, bądź też reklamacja zgłoszona na podstawie niniejszych Warunków Gwarancji zostanie rozpoznana w inny sposób uzgodniony przez BEKO i Użytkownika.

Udzielona gwarancja jest ważna na terytorium Rzeczypospolitej Polskiej.

II. CZAS TRWANIA GWARANCJI.

Okres Gwarancyjny wynosi 24 miesiące licząc od daty zakupu Urządzenia przez pierwszego Użytkownika.

III. PROCEDURA ZGŁOSZENIA REKLAMACYJNEGO.

Wady Urządzenia ujawnione w Okresie Gwarancyjnym będą usuwane pod warunkiem przedstawienia przez Użytkownika dowodu zakupu tego Urządzenia zawierającego oznaczenia niezbędne do jego identyfikacji (model, datę zakupu).

Uprawnienia wynikające z niniejszych Warunków Gwarancji mogą być zrealizowane przez Użytkownika wyłącznie w Autoryzowanych Punktach Serwisowych BEKO (dalej: „Serwis”) po uprzednim dokonaniu zgłoszenia na Infolinii BEKO pod numerem telefonu: 222501414. Urządzenie powinno być odpowiednio zapakowane i zabezpieczone przez Użytkownika na czas transportu do punktu serwisowego Beko.

Wady Urządzenia będą usunięte w terminie 14 dni od daty zgłoszenia Wady na Infolinii BEKO. Jeżeli część zamienna wymieniana w ramach uprawnień wynikających z niniejszych Warunków Gwarancji Urządzenia jest sprowadzana z zagranicy, termin naprawy, o którym mowa w punkcie 5 powyżej, może ulec wydłużeniu jednak, nie więcej niż do 30 dni licząc odpowiednio od daty zgłosze-

nia Wady na Infolinii BEKO. Informacje o spodziewanych terminach napraw dostępne są na Infolinii BEKO pod numerem 222501414. Po usunięciu Wady, Urządzenie zostanie dostarczone Użytkownikowi na koszt BEKO.

IV. WYŁĄCZENIA.

Warunkiem skorzystania z niniejszych Warunków Gwarancji jest:

użytkowanie Urządzenia zgodnie z Instrukcją Obsługi dołączoną do tego Urządzenia i jego przeznaczeniem, jak również odpowiednie czyszczenie i konserwację Urządzenia;

użytkowanie w warunkach indywidualnego gospodarstwa domowego. Urządzenie nie jest używane do celów prowadzenia działalności gospodarczej lub w zastosowaniach eksploatacji masowej, w szczególności w gastronomicznej działalności hoteli, restauracji i innych obiektów turystyczno-rekreacyjnych lub zbiorowego żywienia. stosowanie osprzętu zalecanego przez producenta; brak ingerencji w Urządzenie przez osoby do tego nieupoważnione; brak ingerencji w tabliczkę znamionową z numerem seryjnym Urządzenia. Udzielona przez Beko Gwarancja nie obejmuje:

wad powstałych z przyczyn innych niż tkwiące w Urządzeniu;

normalnego zużycia elementów eksploatacyjnych tj. akumulatory, baterie, noże, filtry, żarówki, szczotki, itp.;

czynności przewidzianych w Instrukcji Obsługi, do wykonania których zobowiązany jest Użytkownik Urządzenia we własnym zakresie i na swój koszt, w tym: instruktażu dotyczącego obsługi Urządzenia, instalacji oraz regulacji urządzenia.

usterek powstałych w wyniku nieprawidłowego lub niewłaściwego użytkowania, niedbalstwa, przypadkowego uszkodzenia Urządzenia, nieodpowiedniego napięcia prądu lub dokonania jakichkolwiek zmian, które mają wpływ na niewłaściwe działanie Urządzenia, i które naprawiane były przez osoby nieupoważnione, używania instalacji niezgodnych

z odpowiednimi Polskimi Normami i innych niż wymienione w Instrukcji Obsługi Urządzenia;

uszkodzeń mechanicznych, termicznych, chemicznych, korozji, innych uszkodzeń spowodowanych działaniem lub zaniedbaniem Użytkownika lub powstałych na skutek działania sił zewnętrznych (do których zalicza się w szczególności wyładowania atmosferyczne, skoki napięcia, wszystkiego rodzaju awarie domowej instalacji wodno-kanalizacyjnej, itp.), a także powstałych na skutek przedostania się zanieczyszczeń lub ciał obcych do Urządzenia, zakamienienia (proces odkamieniania musi być przeprowadzany zgodnie z instrukcją obsługi z użyciem odpowiednich środków czyszczących) elementów ze szkła, plastiku oraz porcelany; odbarwień Urządzenia lub poszczególnych jego części;

usterek powstałych na skutek przechowywania i użytkowania Urządzenia w warunkach, które są niezgodne z normalnymi warunkami domowymi określonymi wymaganiami powszechnie obowiązujących przepisów prawa i odpowiednich Polskich Norm;

V. POZOSTAŁE POSTANOWIENIA.

Niniejsze warunki gwarancji mają zastosowanie do Urządzeń zakupionych od dnia 01.03.2019 r. Gwarant oświadcza, że niniejsza Gwarancja jest udzielana Użytkownikowi dodatkowo i nie wyłącza, nie ogranicza ani nie zawiesza uprawnień Użytkownika wynikających z przepisów o rękojmi za wady rzeczy sprzedanej na podstawie Kodeksu cywilnego.

Deve ler primeiro este manual!

Caro Cliente,

Agradecemos ter escolhido um produto BEKO. Gostaria de obter uma eficiência ótima deste produto de alta qualidade que foi fabricado com a tecnologia mais moderna. Assegurar que este manual e a documentação suplementar são totalmente lidos e compreendidos antes da utilização e deve guardar o mesmo para referência futura. Deve incluir este manual com a unidade caso o produto seja cedido a outra pessoa. Deve respeitar todas as advertências e toda a informação contida no mesmo e seguir as instruções.

Ter em mente que este guia do utilizador é aplicável a vários modelos do produto. O guia indica claramente quaisquer variações de modelos diferentes.

Símbolos e o respetivo significado

Estes símbolos são usados ao longo deste manual:



Informação importante e recomendações relativamente ao uso do aparelho.



CUIDADO: Avisos sobre ferimentos pessoais ou danos à propriedade.



Advertência de choque elétrico,



Advertência de risco de incêndio.



Este produto foi fabricado em instalações modernas que respeitam o ambiente sem prejudicarem a natureza.

Cumpre com a Regulamentação WEEE.



Sem PCB incluído.

1 Instruções importantes ambientais e de segurança

1.1 Segurança geral

Instruções importantes sobre a segurança, leia com cuidado e mantenha para a referência futura. Esta secção contém instruções de segurança que ajudarão a protegê-lo(a) contra o risco de incêndio, exposição a energia de micro-ondas libertada acidentalmente, ferimentos pessoais ou danos à propriedade. O não cumprimento destas instruções invalida a garantia concedida.

- Os produtos Beko estão em conformidade com as normas de segurança aplicáveis; portanto, em caso de qualquer dano no aparelho ou cabo de alimentação, deve ser reparado ou substituído pelo revendedor, centro de assistência ou por uma assistência especializada e autorizada para evitar qualquer perigo. Reparações defeituosas ou não qualificadas podem ser perigosas e constituir riscos para o utilizador.
- Este aparelho destina-se à utilização doméstica e aplicações semelhantes, como por exemplo:
 - Áreas da cozinha dos funcionários em lojas, escritórios e outros ambientes de trabalho;
 - Casas de turismo rural;
 - Por clientes em hotéis, pensões e outros tipos de ambientes residenciais;
 - Alojamentos do tipo cama e pequeno-almoço.
- Use este aparelho apenas para os fins a

que se destina e tal como descrito neste manual.

- O fabricante não se responsabiliza por quaisquer danos resultantes de uma instalação incorreta ou imprópria.
- Este equipamento pode ser usado por crianças com idade de 8 anos ou mais e por pessoas com capacidades físicas, sensoriais ou mentais reduzidas ou com falta de experiência e conhecimento se forem supervisionadas ou que lhes tenha sido dada instrução a respeito da utilização do equipamento de um modo seguro e que compreendam os perigos envolvidos.
- As crianças não devem brincar com o aparelho. A limpeza e a manutenção do utilizador não devem ser realizadas por crianças sem serem supervisionadas.
- A distância mínima entre a superfície de apoio para os recipientes na placa de cozinha e a parte inferior do produto deve ser de 65 cm, no mínimo.
- Se as instruções de instalação para a placa de cozinha a gás especificarem uma distância maior, esta deve ser tida em consideração.
- Certifique-se de que a alimentação elétrica está em conformidade com as informações fornecidas na placa de dados do aparelho.
- Nunca utilize o aparelho se o cabo de alimentação ou o próprio aparelho estiverem danificados.

1 Instruções importantes ambientais e de segurança

- Evite danos ao cabo de alimentação, evitando apertá-lo, dobrá-lo ou arrastá-lo sobre extremidades pontiagudas. Mantenha o cabo de alimentação afastado de superfícies quentes e chamas vivas.
 - Apenas utilize o aparelho numa tomada com ligação à terra.
- AVISO:** Não ligue o aparelho à corrente até que a instalação esteja concluída.
- Coloque o aparelho de modo a que a ficha esteja sempre acessível.
 - Não toque nas lâmpadas caso tenham estado acesas durante muito tempo. Estas podem queimar as suas mãos, dado que ficam quentes.
 - Siga os regulamentos estabelecidos pelas autoridades competentes relativos ao ar de exaustão (este aviso não se aplica se o aparelho for utilizado sem chaminé).
 - Utilize o aparelho apenas depois de colocar um tacho, uma frigideira, etc. na placa de cozinha. Caso contrário, o calor excessivo pode deformar algumas partes do aparelho.
 - Desligue a placa de cozinha antes de retirar o tacho, a frigideira, etc.
 - Não deixe óleo quente na placa de cozinha. As frigideiras com óleo quente podem entrar em combustão espontânea.
 - Preste atenção às cortinas e tampas, pois o óleo pode incendiar-se enquanto se cozinha, por exemplo, batatas fritas.
 - O filtro de gordura deve ser substituído, no mínimo, mensalmente. O filtro de carbono deve ser substituído, no mínimo, a cada 3 meses.
 - O aparelho deve ser limpo de acordo com as instruções do manual do utilizador. Pode existir perigo de incêndio caso a limpeza não seja realizada de acordo com as instruções do manual do utilizador.
 - Não utilize materiais de filtração que não sejam resistentes ao fogo além do filtro atual.
 - Utilize apenas as peças originais ou peças recomendadas pelo fabricante.
 - Não utilize o aparelho sem o filtro e não retire os filtros durante o funcionamento do aparelho.
 - No caso de deflagrar uma chama, corte a alimentação elétrica do aparelho e dos eletrodomésticos.
 - No caso de deflagrar uma chama, cubra-a e nunca use água para extingui-la.
 - Desligue o aparelho antes de cada limpeza e quando este não estiver a ser utilizado.
 - A pressão negativa no ambiente não deverá exceder 4 Pa (4 x 10 bar) enquanto o exaustor para a placa de cozinha elétrica e os aparelhos alimentados por outro tipo de energia além da eletricidade estiverem a funcionar em simultâneo.
 - No ambiente em que o aparelho está a ser utilizado, a exaustão dos dispositivos

1 Instruções importantes ambientais e de segurança

que funcionam a óleo combustível ou gás, como é o caso dos aquecedores, deverá ficar totalmente isolada. Caso contrário, o aparelho terá de ser de tipo hermético.

- Ao fazer a ligação à chaminé, utilize tubos com 120 ou 150 mm de diâmetro. A ligação do tubo deve ser o mais curta possível e ter o menor número de curvas possível.

Perigo de asfixia! Mantenha todos os materiais da embalagem afastados das crianças.

ATENÇÃO: Partes acessíveis podem ficar quentes quando utilizadas com aparelhos de cozinha.

- A saída do exaustor não pode estar ligada aos canais de ar que incluem outros fumos.
- A ventilação na divisão poderá ser insuficiente quando se utilizar o exaustor para a placa de cozinha elétrica simultaneamente com os dispositivos que funcionam a gás ou outros combustíveis (isto poderá não se aplicar aos aparelhos que apenas fazem o retorno do ar para a divisão).
- Os objetos colocados em cima do aparelho podem cair. Não coloque quaisquer objetos em cima do aparelho.
- Não flambeie debaixo do aparelho.

AVISO: Remova as películas protetoras antes de instalar a Placa de cozinha.

- Nunca deixe chamas vivas altas sob o exaustor quando este estiver em funcionamento
- Mantenha as fritadeiras sob controlo du-

rante a utilização: o óleo sobreaquecido pode inflamar-se.

1.2 Conformidade com a Diretiva REEE e eliminação do produto residual:

Este produto está em conformidade com a Diretiva REEE da UE (2012/19/UE). Este produto traz um símbolo de classificação para reciclagem de equipamentos elétricos e eletrónicos (REEE).



Este símbolo indica que o produto não deve ser eliminado juntamente com o lixo doméstico no fim da sua vida útil. Os aparelhos usados devem ser levados para um ponto de recolha oficial para a reciclagem de aparelhos elétricos e eletrónicos. Para encontrar estes sistemas de recolha, entre em contacto com as autoridades locais ou com o revendedor através do qual adquiriu o produto. Cada domicílio desempenha um papel fundamental na recolha e reciclagem de aparelhos antigos. A eliminação correta de aparelhos usados ajuda a prevenir potenciais efeitos negativos ao meio ambiente e à saúde humana.

1.3 Conformidade com a Diretiva RoHS

O produto adquirido está em conformidade com a Diretiva RoHS da UE (2011/65/UE). Não contém materiais prejudiciais ou proibidos especificados na Diretiva.

1 Instruções importantes ambientais e de segurança

1.4 Informação de embalagem

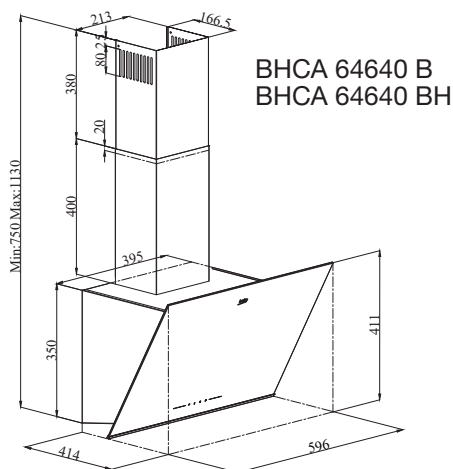


Os materiais para embalagem do produto são fabricados a partir de materiais recicláveis, em conformidade com a nossa Regulamentação

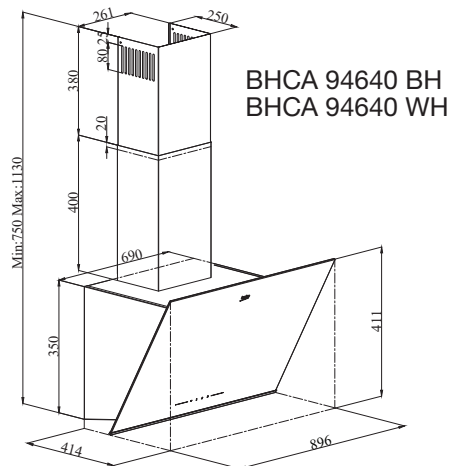
Nacional do Ambiente. Não elimine os materiais da embalagem juntamente com os resíduos domésticos ou outros tipos de resíduos. Leve-os para os pontos de recolha de materiais de embalagem designados pelas autoridades locais.

2 Aspeto geral

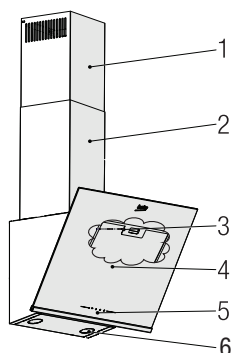
2.1 Generalidades



(Figura 1)



(Figura 2)



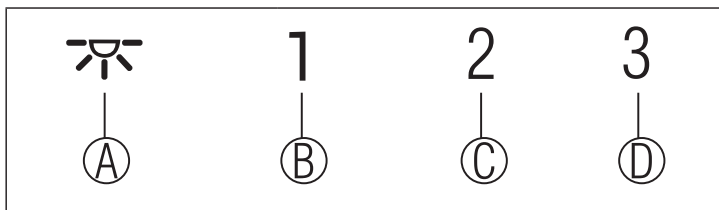
1. Conduta interior
2. Conduta exterior
3. Filtros do óleo (Atrás da tampa de vidro)
4. Tampa de vidro
5. Conjunto de controlo
6. Lâmpada

2,2 - Dados técnicos

Modelo	BHCA 64640 B BHCA 64640 BH	BHCA 94640 BH BHCA 94640 WH
Tensão de alimentação	220-240V ~ 50 Hz	
Potência da lâmpada	2 x 3 W	
Potência do motor :	210 W	
Taxa de fluxo (m ³ /h) – 3. Nível	631 m ³ /h	623 m ³ /h
Classe de isolamento do motor	Classe F	
Classe de isolamento	Classe I	

3 Funcionamento do aparelho

3.1. Controlar o aparelho



TECLA	FUNÇÃO
(A) : Ligar/desligar a iluminação	Pode iluminar a zona de cozedura premindo este botão. Voltar a premir este botão para desligar a lâmpada.
(B) 1. Botão de fase	Opera o aparelho na 1ª velocidade. Quando premir este botão novamente para desligar o aparelho, a fase de velocidade do ecrã desliga.
(C) : 2. Botão de fase	Opera o aparelho na 2ª velocidade. Quando premir este botão novamente para desligar o aparelho, a fase de velocidade do ecrã desliga.
(D) : Botão 3ª Fase	Opera o aparelho na 3ª velocidade. Quando premir este botão novamente para desligar o aparelho, a fase de velocidade do ecrã desliga.

3.2 Funcionamento de eficiência energética em termos de poupança

Utilização

- Quando usar o seu aparelho, ajustar as definições da velocidade de acordo com a intensidade de vapor e de odor, de modo a economizar energia.
- Usar as velocidades reduzidas (1-2) em condições normais e a velocidade mais elevada (3) com vapor e odor intensos.
- * As lâmpadas no exaustor são colocadas para iluminar a zona de cozedura.

Se usar as mesmas para iluminação ambiente irá provocar consumo desnecessário de energia e iluminação insuficiente.

3.3. Instruções de funcionamento

- O seu aparelho inclui um motor com várias velocidades.
- Para um melhor desempenho, recomenda-

mos usar velocidades reduzidas em condições normais e velocidades elevadas no caso de odores fortes e de vapor intenso.

- Pode começar a usar o seu aparelho premindo no botão de definição da velocidade pretendida. (B, C, D)
- Pode iluminar a zona de cozedura premindo a lâmpada (A).

3.4. - Paragem automática

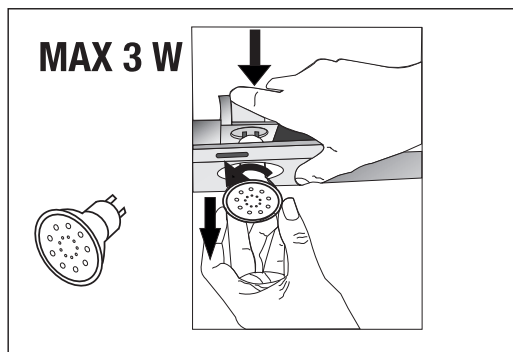
O seu aparelho tem uma função de Paragem Automática, permitindo que o mesmo ventile durante mais algum tempo e remova os odores e vapor intenso não desejados que permaneçam no espaço e desligar automaticamente depois da cozedura estar concluída. Para ativar a função Paragem Automática, premir qualquer botão de velocidade (B,C,D) no painel de controlo por mais de 2 segundos, a função de temporizador de 15 minutos deve ser ativada. Quando a função de paragem automática está ativada, premir o mes-

3 Funcionamento do aparelho

mo botão de velocidade deverá desativar a função de paragem automática e o motor do aparelho deverá parar. Esta função é desativada quando alterna entre diferentes fases de velocidade.

Se pretender que o aparelho pare automaticamente, é necessário ativar de novo a função de paragem automática.

3.5. Substituição da lâmpada

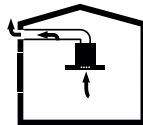


(Figura 3)

Fazer as ligações elétricas do aparelho. O seu aparelho usa lâmpada LED spot 3 W. Para substituir as lâmpadas, empurrar para baixo o suporte da lâmpada a partir de trás, rodá-lo no sentido anti-horário e tirá-lo por baixo. Realizar a operação acima no sentido inverso para instalar as novas lâmpadas (Figura 3).

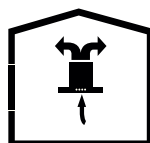
Lâmpada	
Potência da lâmpada (W):	3
Suporte / Tomada	GZ 10
Tensão da lâmpada (V)	220 - 240
Dimensão (mm)	53 x 50
Código ILCOS	DR/F3-220-240-GZ10-50-53

3.6 Funcionamento com ligação à conduta



- O vapor é extraído através da conduta de exaustão, a qual é fixada à cabeça de ligação no exaustor.
- O diâmetro da conduta de exaustão tem de ser o mesmo que o anel de ligação. Nas definições horizontais, o tubo tem de ter uma ligeira inclinação para cima (cerca de 10°) de modo a que o ar possa sair facilmente do espaço.

3.7 Funcionamento sem ligação à conduta



- O ar filtrado através do filtro de carvão e recirculado no espaço. O filtro de carvão é usado quando é impossível usar uma conduta na residência.
- Quando utilizado sem conduta de exaustão, remover as abas no interior do adaptador da conduta.
- Remover o filtro do óleo. Retirar o filtro de água. Para instalar o filtro de carvão, encaixar o filtro nas guias centrando o mesmo na peça de plástico nos dois lados da estrutura da ventoinha. Apertar o mesmo rodando-o para a direita ou para a esquerda.
- Substituir o filtro do óleo.

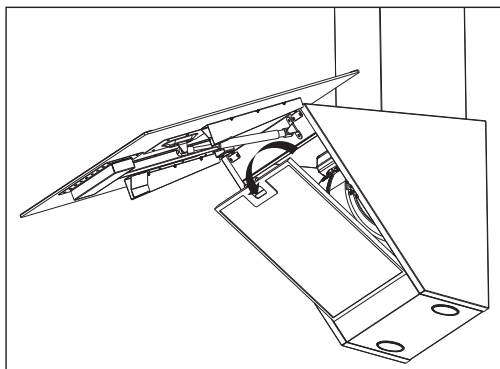
4 Limpeza e manutenção



Antes de efetuar a limpeza e a manutenção, desligar o produto ou desligar o interruptor.

4.1. Limpeza do filtro do óleo em alumínio

Este filtro retém as partículas do óleo existentes no ar. Os filtros de óleo do alumínio podem mudar de cor à medida que vão sendo lavados, isso é normal e não exige a substituição dos seus filtros.



(Figura 4)

- Empurrar para a frente o fecho do filtro do óleo em alumínio..
- Seguidamente, puxar o mesmo para baixo e remover (Figura 4). Caso contrário, pode dobrar o filtro. Lavar e enxaguar os filtros do óleo em alumínio com líquido com detergente e voltar a colocar os mesmos nas tomadas respetivas realizando os passos acima na ordem inversa. Este filtro retém as partículas do óleo existentes no ar.



Pode lavar os seus filtros de óleo em alumínio na máquina de lavar loiça.

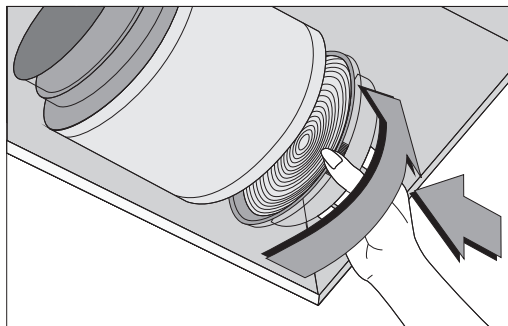


CAUIDADO

Com uma utilização normal, limpar o filtro do óleo uma vez por mês.

4.2 Substituição dos filtros de carvão

Is filtros de eliminação de odores contêm carvão (Carvão ativo). Os filtros do óleo têm de ser instalados no produto, independentemente se forem usados filtros de carvão ou não.



(Fig. 5)

- Remover os filtros de óleo em alumínio (Figura 4).
- Para remover o filtro de carvão, remover o mesmo do respetivo compartimento rodando-o no sentido anti-horário a partir da guia (Figura 5)
- Instalar o novo filtro de carvão.
- Instalar o filtro de óleo de alumínio.



CAUIDADO

O filtro de carvão nunca deve ser lavado.



CAUIDADO

Substituir os filtros de carvão uma vez em cada 3 meses.



CAUIDADO

Pode obter o filtro de carvão nos revendedores autorizados.

5 Instalação do aparelho



ADVERTÊNCIA!

Antes de iniciar a instalação, deve ler a informação de segurança no Manual do Utilizador.



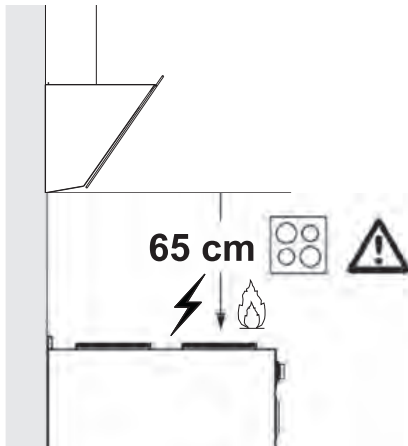
ADVERTÊNCIA!

Não instalar com parafusos e estabilizadores de acordo com estas instruções pode resultar em choque elétrico.

Para instalar o exaustor, deve contactar o Serviço Autorizado mais próximo.

É da responsabilidade do cliente preparar a localização e a instalação elétrica do exaustor.

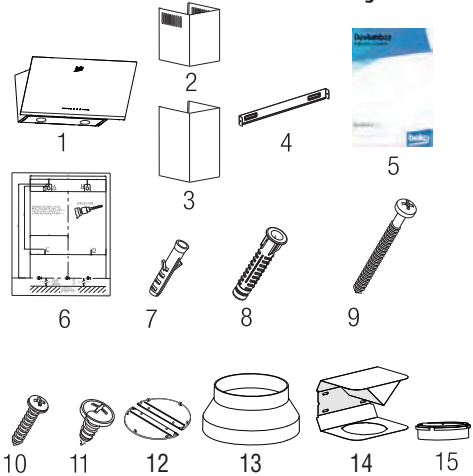
5.1 Posição do aparelho



(Figura 6)

- A distância entre o fogão e o exaustor tem de ser considerada antes da montagem.. Esta distância deve ser de 65 cm (Figura 6).
- A distância tem de ser medida a partir da superfície da grelha para os fogões a gás,
- a partir da superfície de vidro para os fogões elétricos.

5.2. Acessórios da instalação



1. Produto
2. Conduta interior
3. Conduta exterior
4. Placa de ligação da conduta
5. Manual do Utilizador
6. Desenho da montagem
7. Bucha de plástico 2x Ø6 mm
8. Bucha de plástico 2x Ø6 mm
9. Parafuso de montagem na parede 4x 4,8x50
10. Parafuso da placa de ligação da conduta 2x3,9x22
11. Parafuso de ligação da conduta 4x3,5x9,5
12. Abraçadeira de
13. Adaptador da conduta plástica 150/120 mm
14. Defletor de ar
15. Adaptador em plástico (Difusor de ar)

A informação necessária para fazer a localização adequada para a instalação do aparelho é indicada abaixo.

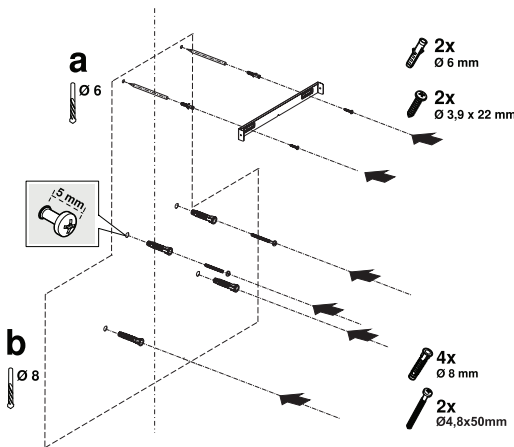
5.3. Instalação na parede

- A parede tem de ser plana, direita e ter capacidade de suporte suficiente.
- A profundidade dos furos de perfuração têm de

5 Instalação do aparelho

estar de acordo com o comprimento dos parafusos.

- Os parafusos e as buchas fornecidos são adequados para paredes em tijolo. Para outros materiais de construção (por ex. placa de reboco, placa, betão poroso), devem ser usadas as buchas e porcas de fixação adequadas



(Figura 7)

CUIDADO



Antes de perfurar, assegurar que não existem tubos de alimentação, gás ou água nas proximidades dos locais de perfuração.

Desenhar uma linha ao meio da localização a partir da perpendicular do teto até ao rebordo inferior do exaustor ().

Colocar a placa de instalação fornecida com os acessórios na superfície onde pretende que o exaustor seja instalado. Ao fazer esta operação, deve respeitar a altura de montagem do exaustor (Página 12/Figura 6).

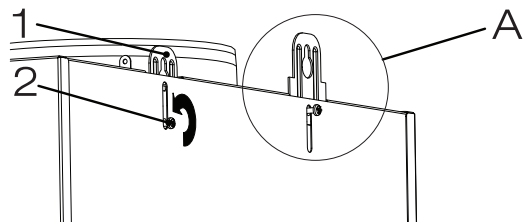
Há uma guia no meio da placa de ligação da conduta. Colocar o ponto intermédio desta guia na linha que está desenhada na perpendicular da parede. Ao fazer esta operação,

ajustar o exaustor de acordo com a altura máxima (Página 8/Figura 1) Marcar os furos onde a placa de ligação da conduta será montada com a ajuda de uma esferográfica (Figura 7/a).

Perfurar os pontos marcados com uma perfuração de Ø6mm e inserir as duas buchas em plástico nos furos feitos (Figura 7/a). Fixar a placa de ligação da conduta à parede com parafusos de 3,9x22 (Figura 7/a).

Para montar a armação do exaustor, pode usar os furos de Ø8 mm A,B,C,D na placa de montagem e inserir as buchas em plástico de 4,8x50 mm nestes pontos. (Figura 7/b).

2 parafusos de suspensão da peça 4,8x50 com uma folga de 5 mm entre a cabeça do parafuso e a parede (Figura 7/b).



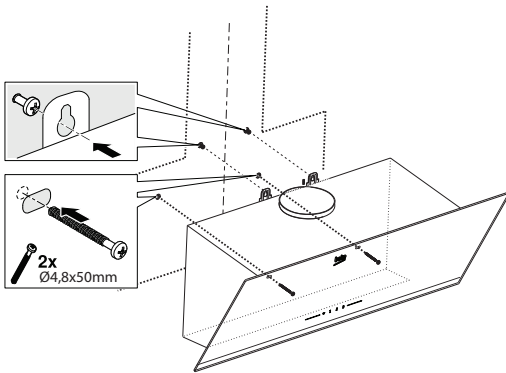
(Figura 8)

1. Placa de suporte
2. Parafuso de ligação da placa de suspensão

De modo a instalar o seu exaustor na parede, soltar os parafusos montados nas placas de suspensão na cabina do motor e puxar os mesmo e depois apertar novamente (Figura 8 / A).

Rodar o vidro de sucção do exaustor e remover o filtro do óleo em alumínio (Página 11 / Figura 4).

5 Instalação do aparelho

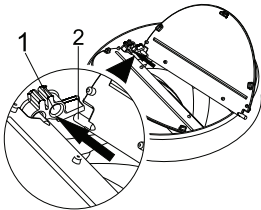


(Figura 9)

Segurar o exaustor do fogão na respetiva estrutura e colocar a mesma nos parafusos de suspensão na parede e apertar os parafusos (Figura 9).

Fixar o exaustor do fogão à parede com os parafusos de 4,8x50 através do furo de montagem no interior do aparelho (Figura 9).

5.4. Ligar a uma conduta de exaustão



(Figura 10)

- 1- Tomada do pino da aba
- 2- Pino da aba

Inserir o pino de plástico (Figura 10 / zona nº 2) no soquete do pino na exaustão do motor (Figura 10 / zona nº 1). Depois dobrar ligeiramente a aba para inserir o outro pino na aba e inserir o outro pino no respetivo soquete (Figura 10).

Se vai usar um adaptador de conduta em plástico com \varnothing 120/150 mm, ligar uma das extremidades do tubo a este adaptador, se

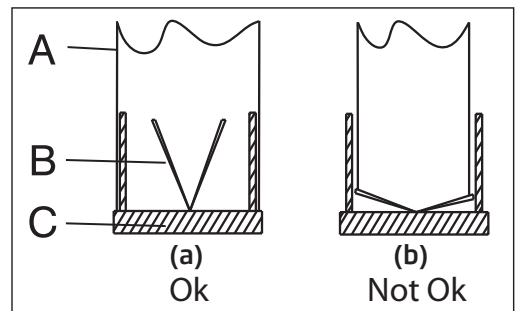
não o for usar, ligar o mesmo à saída direta no produto. Ligam a outra extremidade do tubo à sua conduta de exaustão. Verificar se estas duas ligações estão suficientemente fixadas de modo a que não saiam quando o exaustor está a funcionar com toda a potência. Assegurar que as abas dentro da conduta funcionam depois de apertadas com o grampo. Ligam a conduta de ligação no exterior do adaptador (Figura 11/a). Se a conduta de ligação for encaixada dentro do adaptador, a sucção do ar não vai ocorrer dado que a aba da conduta que impede o retorno do ar mantém-se fechada. O comprimento da ligação do tubo bem como o número de cotovelos deve ser o mínimo possível.

A : Tubo de saída da conduta

B: Grampos da conduta

C: Conduta de plástico

As válvulas são fechadas depois o aparelho não está a funcionar e impede a entrada de odor e poeira possivelmente existentes no exterior.

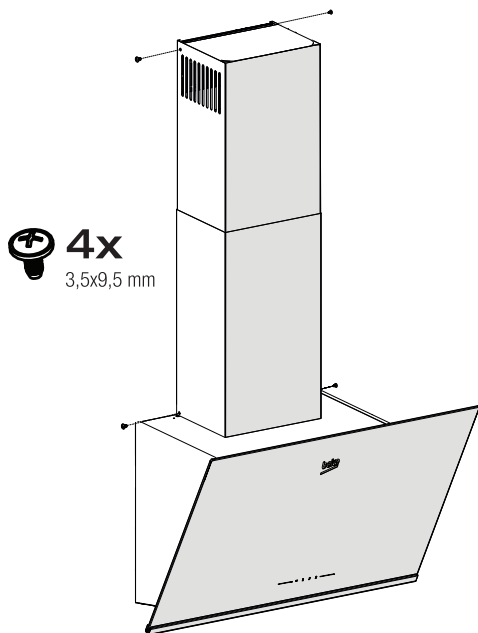


(Figura 11)

5 Instalação do aparelho

5.5 Instalação do exaustor à conduta

Fazer a ligação elétrica do seu exaustor antes de iniciar a instalação da conduta. Inserir as placas da conduta em torno da estrutura. Aparafusar a conduta às placas de fixação da conduta exterior que se encontram na cabina do motor. (Figura 12) Fixar a placa da conduta à placa de fixação que está fixada na parede a partir do respetivo rebordo exterior superior (Figura 12).

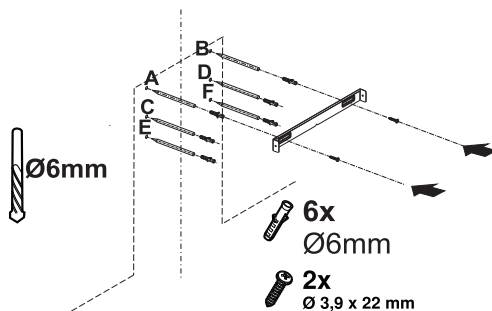


(Fig. 12)

5.6. Instalação do defletor de ar

(BHCA 64640 BH - BHCA 94640 BH - BHCA 94640 WH)

Quando estiver a usar o filtro de carbono, o defletor de ar é fornecido com o seu aparelho com o objetivo de voltar a libertar o ar o qual é limpo com o filtro de carvão a partir do local perfurado na conduta. Montar o defletor de ar como se segue.



(Fig. 13)

Há uma guia no meio da placa de ligação da conduta. Colocar o ponto intermédio desta guia na linha que está desenhada na perpendicular da parede. Alinhar horizontalmente e marcar os furos onde a placa de ligação será montada através de uma esferográfica. (Figura 13 (A, B).

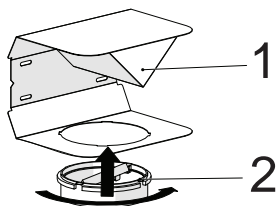
Perfurar os pontos marcados com uma perfuração de Ø6mm e inserir as duas buchas em plástico nos furos feitos (Figura 13/A,B).

Fixar a placa de ligação da conduta à parede com parafusos de 3,9x22 (Figura 13/A,B).

Para a montagem do defletor de ar, instalar o ponto C, D, E, F com furo de Ø6 mm e com buchas plásticas com Ø6mm (Figura 13).

Montar a estrutura do exaustor do fogão (Página 14 / Figura 9).

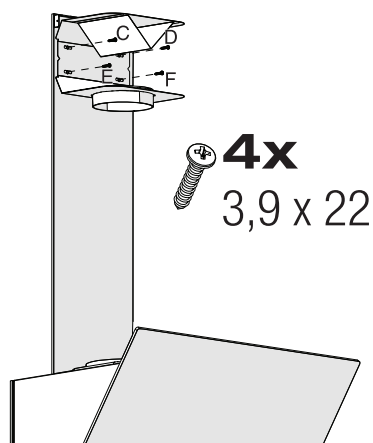
5 Instalação do aparelho



(Figura 14)

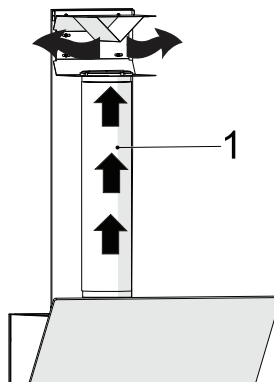
- 1- Defletor de ar
- 2- Conduta de plástico

Ligar o adaptador da conduta em plástico que está incluído na embalagem, na direção do defletor de ar. Fechar o adaptador da conduta rodando-o na direção da seta (Figura 14).



(Fig. 15)

Montar o grupo do defletor de ar com parafusos de 3,9 x 22 a partir do ponto C, D, E, F que já preparou (Figura 15).



(Fig. 16)

- 1- Tubo de saída de ar em alumínio
- Fazer a ligação do conjunto do tubo de saída de ar (/ (Figura 16).



Uma vez que as torções e as curvas no tubo de alumínio levam a uma redução no poder de sucção de ar, evitá-las tanto quanto possível.

Instalar as placas da conduta do exaustor (Página 14/Figura 9).

6 Resolução de problemas

Resolução de problemas	Causa Origem	Ajuda
O aparelho não está a funcionar.	Verificar os fusíveis.	Os fusíveis podem ter rebentado, inspecionar e restaurar.
O aparelho não está a funcionar.	Verificar a instalação elétrica.	A tensão de corrente elétrica deve estar entre 220 e 240 V.
O aparelho não está a funcionar.	Verificar a instalação elétrica.	Verificar se outro aparelho na sua cozinha está a funcionar.
A lâmpada de iluminação não funciona	Verificar a instalação elétrica.	A tensão de corrente elétrica deve estar entre 220 e 240 V.
A lâmpada de iluminação não funciona	Verificar o interruptor da lâmpada.	O interruptor da lâmpada deve estar na posição "ligado".
A lâmpada de iluminação não funciona	Inspeccionar as lâmpadas.	As lâmpadas do aparelho devem acender.
A entrada de ar do aparelho é inadequada.	Inspeccionar o filtro de alumínio.	Em circunstâncias normais, o filtro de óleo em alumínio deve ser limpo uma vez por mês no mínimo.
A entrada de ar do aparelho é inadequada.	Verificar a conduta de saída de ar.	A conduta de saída de ar deve estar na posição "ligado".
A entrada de ar do aparelho é inadequada.	Inspeccionar o filtro de carvão.	Nos filtros em que são utilizados filtros de carvão, o filtro de carvão deve ser substituído a cada 3 meses em condições normais.



**Contacte a assistência técnica:
707 014 192 / 215 557 319**

CONDIÇÕES DE GARANTIA - PORTUGAL

Este certificado cobre a garantia de reparação do seu eletrodoméstico por dois anos a contar da data de compra, contra defeitos de funcionamento provenientes do fabrico ou dos materiais; ou de substituição do dispositivo, a menos que uma dessas opções seja impossível ou desproporcionada em relação à outra. Quando detetar um defeito ou anomalia no aparelho entre imediatamente em contacto connosco, existe um prazo limite de dois meses para nos informar sobre a falta de conformidade. O valor da deslocação está incluído na reparação, com exceção de pequenos aparelhos que podem ser transportados para a oficina do serviço oficial da marca. Em caso de substituição, o período de garantia fica suspenso e o aparelho irá manter o prazo de validade do aparelho substituído e no mínimo 6 meses de garantia.

Esta garantia só será válida se a fatura, recibo de venda ou a entrega do produto em questão for posterior à data da fatura. Esta garantia é válida em território espanhol e português para aparelhos distribuído pela Beko Electronics Espanha SL. A garantia só é válida para o primeiro comprador ou adquirente do produto. A garantia é válida para dispositivos adaptados às condições climáticas e ambientais em que se situam.

EXCLUSÕES DA GARANTIA

O custo da reparação será pago pelo utilizador nos seguintes casos:

- Aparelhos utilizados para uso profissional ou não exclusivamente doméstico, em estabelecimentos comerciais, industriais ou públicos.
- O equipamento desmontado ou adulterado por alguém que não seja expressamente autorizado pelos serviços técnicos.
- A instalação, transporte, substituição de equipamento, colocação em funcionamento, alteração do sentido das portas.
- Intervenções de manutenção ou informações sobre a utilização dos aparelhos.
- Alteração de injetores em aparelhos a gás.
- As avarias causadas pela falta de manutenção ou limpeza, ou aquelas causadas por um uso inadequado, sobrecarga, abandono ou de forma a não respeitar as instruções de uso ou instalação dos aparelhos.
- As avarias provocadas por causas acidentais, sinistros de força maior ou resultantes de instalação inadequada e em geral, avarias por razões não relacionadas com o produto.
- As avarias causadas por ligações que podem apresentar flutuações, irregularidades ou falta de uniformidade no fornecimento, por exemplo: abastecimento de água, impulsionado por pressão, energia solar, energia eólica, geradores de energia elétrica ou outro tipo de fornecimento não-padrão.
- Os materiais quebrados ou danificados por desgaste ou uso não normal do aparelho, ou consumíveis tais como: juntas, plásticos, borracha, correias, vidros, pincéis, lâmpadas, asas, puxadores, tampas de queimadores, filtros, grades, etc.
- Os aparelhos que apresentem oxidação, ou danos por corrosão em esmaltes ou tintas, que possam ter sido causados por efeitos químicos ou eletroquímicos da água ou de qualquer outra substância, ou aceleradas por circunstâncias ambientais ou climáticas não propícias.
- Defeitos estéticos em serigrafia ou pintura.
- Os danos causados por transporte ou manuseio, colisões, etc.
- Os aparelhos devem ser instalados de forma acessível em caso de reparação e o utilizador deve assumir os custos necessários para aceder ao aparelho para reparação e substituição.

As marcas BEKO, ALTUS, BLOMBERG, y GRUNDIG são distribuídas por Beko Electronics Espanha S.L.

DADOS DO APARELHO (a ser preenchido pelo Distribuidor):

Detentor:		Carimbo do estabelecimento:
Modelo:	N.º série:	
Estabelecimento:	Data de compra:	

O fiador e o importador do seu eletrodoméstico é: BEKO ELECTRONICS ESPAÑA S.L. Calle Provenza nº 388 3º Barcelona 08025, Espana. O produto foi fabricado por ARÇELIK A.S (Arçelik A.S.Sütluce Karaağaç Cad. No:2-6 34445 Beyoğlu, Istanbul, Turquia).

Conheça-nos melhor na nossa página: www.beko.com Conserve este documento, é importante para si.

Citiți mai întâi acest manual de utilizare!

Stimați clienți,

Vă mulțumim că ați ales un produs BEKO. Am dori să obțineți eficiența optimă de la acest produs de înaltă calitate care a fost fabricat cu tehnologie de ultimă generație. Vă rugăm să citiți și să înțelegeți integral acest ghid și documentația suplimentară înainte de utilizare și să îl păstrați ca referință. Includeți acest ghid împreună cu unitatea dacă o predați altcuiva. Respectați toate avertismentele și informațiile din acest document și urmați instrucțiunile.

Rețineți că instrucțiunile din acest manual se pot aplica și altor modele de produse. Acest manual precizează cu exactitate toate modificările diferitelor modele.

Simboluri și semnificațiile lor

Aceste simboluri sunt utilizate în prezentul ghid:



Informații și recomandări importante privind utilizarea aparatului.



ATENȚIE: Avertismente privind vătămarea corporală sau daunele materiale.



Pericol de electrocutare,



Risc de incendiu.



Acest produs a fost conceput în fabrici moderne, care pun accent pe respectarea mediului, fără a deteriora natura.

În conformitate cu Regulamentul WEEE.



Nu este inclus niciun element din bifenil policlorurat.

1 Instrucțiuni importante referitoare la siguranță și mediul înconjurător

1.1 Siguranță generală

Instrucțiuni importante cu privire la siguranță Citiți cu atenție și păstrați-le pentru consultare ulterioară Această secțiune conține instrucțiuni privind siguranța, care vă vor proteja împotriva riscului de incendiu, electrocutare, expunere la scurgeri de microunde, vătămare corporală și pagube materiale. Nerespectarea acestor instrucțiuni atrage anularea garanțiilor acordate.

- Produsele de la Beko sunt conforme standardelor de siguranță aplicabile; din acest motiv, în caz de defecțiune a produsului sau a cablului de alimentare, acestea trebuie reparate sau înlocuite de distribuitor, un centru de service sau un service similar specializat și autorizat, pentru evitarea oricărui pericol. Lucrările de reparații greșite sau efectuate de persoane necalificate pot cauza pericole sau riscuri utilizatorului.
- Acest aparat este destinat pentru a fi utilizat în scop casnic și aplicații similare cum ar fi:
 - Bucătării pentru personalul din magazine, birouri sau alte medii de lucru;
 - Ferme
 - De către clienți în hoteluri, moteluri sau alte medii de tip rezidențial;
 - Medii de tip pensiune.
- Utilizați acest produs doar pentru uzul desemnat, așa cum este descris în acest manual.
- Producătorul nu își asumă răspunderea pentru daunele provocate de instalarea incorectă sau utilizarea greșită a produsului.
- Acest aparat poate fi utilizat de către copii cu vârsta minimă de 8 ani și de către persoanele cu capacități fizice, senzoriale sau mentale reduse sau lipsite de experiență și de cunoștințe, dacă aceștia au fost supravegheați sau instruiți cu privire la utilizarea produsului într-un mod sigur și dacă înțeleg pericolele implicate.
- Copiii nu trebuie să se joace cu aparatul. Operațiunile de curățare și întreținere nu trebuie să fie efectuate de către copii fără supraveghere.
- Distanța minimă dintre suprafețele de susținere pentru vasele de gătit de pe plită și partea cea mai joasă a hotei trebuie să fie de 65 cm.
- Dacă instrucțiunile de instalare a plitei cu gaz specifică distanțe mai mari decât cele de mai sus, se vor respecta instrucțiunile respective.
- Asigurați-vă că tensiunea de alimentare corespunde cu informațiile furnizate pe plăcuța cu date tehnice a produsului.
- Nu utilizați aparatul atunci când cablul de alimentare sau aparatul în sine este avariat.
- Nu strângeți, nu îndoiți și nu frecați cablul de alimentare de margini tăioase, pentru a preveni avariarea acestuia. Feriți cablul de

1 Instrucțiuni importante referitoare la siguranță și mediul înconjurător

alimentare de suprafețele fierbinți și focul deschis.

- Utilizați produsul doar cu o priză cu împământare.

AVERTISMENT: Nu conectați produsul la priza de alimentare înainte de finalizarea instalării.

- Amplasați aparatul astfel încât ștecherul să fie întotdeauna accesibil.
- Nu atingeți lămpile dacă au funcționat mult timp. Vă pot arde mâinile, deoarece vor fi fierbinți.
- Respectați reglementările stabilite de autoritățile competente privind evacuarea aerului rezidual (acest avertisment nu este valabil la utilizarea fără coșul de fum).
- Folosiți produsul după ce ați pus o oală, o tigaie etc. pe plită. În caz contrar, căldura ridicată poate cauza deformări în unele părți ale produsului.
- Opriți plita înainte de a lua oala, tigaia etc. de pe aceasta.
- Nu lăsați ulei fierbinte pe plită. Tigăile cu ulei fierbinte pot provoca auto-combustia.
- Fiți atenți la perdele și huse, deoarece uleiul poate lua foc în timp ce gătiți alimente cum ar fi cartofi prăjiți.
- Filtrul de grăsime trebuie înlocuit cel puțin lunar. Filtrul de carbon trebuie înlocuit cel puțin o dată la 3 luni.
- Produsul trebuie curățat conform manualului de utilizare. În cazul în care curățarea

nu a fost efectuată conform manualului de utilizare, există risc de incendiu.

- Nu folosiți materiale de filtrare care nu sunt rezistente la foc, în locul filtrului actual.
- Utilizați doar componentele originale sau componentele recomandate de către producător.
- Nu folosiți produsul fără filtru și nu scoateți filtrele în timp ce produsul funcționează.
- În cazul în care se produce o flacără, opriți alimentarea produsului și aparatele de gătit.
- În cazul în care se produce o flacără, acoperiți flacăra și nu utilizați apă pentru stingere.
- Înainte de fiecare curățare și atunci când produsul nu este folosit, scoateți-l din priză.
- Presiunea negativă în mediu nu trebuie să depășească 4 Pa (4 x 10 bari), în timp ce hota pentru plita electrică și aparatele care funcționează cu un alt tip de energie decât electricitatea funcționează simultan.
- În mediul în care este folosit produsul, evacuarea dispozitivelor care funcționează pe combustibil lichid sau motorină, cum ar fi radiatorul, trebuie să fie complet izolată sau dispozitivul trebuie să fie de tip ermetic.
- La conectarea coșului de evacuare, folosiți țevi cu diametrul de 120 sau 150 mm. Racordul țevelor trebuie să fie cât mai scurt posibil și să aibă cât mai puține coturi.

Pericol de sufocare! Păstrați materialele de

1 Instrucțiuni importante referitoare la siguranță și mediul înconjurător

ambalare la loc inaccesibil copiilor.

ATENȚIE: În timpul utilizării cu aparate de gătit, piesele accesibile se pot încinge.

- Evacuarea hotei nu trebuie să fie conectată la canalele de aer care includ alte tipuri de fum.
- Ventilația în cameră poate fi insuficientă atunci când hota pentru plita electrică este folosită simultan cu dispozitive care funcționează cu gaz sau alți combustibili (nu se aplică neapărat în cazul aparatelor care doar evacuează aerul înapoi în cameră).
- Obiectele plasate pe produs pot să cadă. Nu amplasați nici un obiect pe aparat.
- Nu flambați alimente sub produs.

AVERTISMENT: Îndepărtați foliile de protecție înainte de a instala hota.

- Nu lăsați niciodată focul deschis la intensitate mare sub hotă când aceasta funcționează.
- Friteuzele trebuie supravegheate permanent în timpul folosirii: uleiul supraîncălzit se poate aprinde.

1.2 Conformitate cu Directiva DEEE și eliminarea deșeurilor:

Acest produs este conform cu Directiva DEEE a UE (2012/19/EU). Acest produs poartă un simbol

pentru deșeuri de echipamente electrice (DEEE).



Acest simbol indică faptul că acest produs nu trebuie eliminat împreună cu alte deșeuri menajere la sfârșitul duratei sale de utilizare.

Dispozitivul uzat trebuie returnat către un punct oficial de colectare pentru reciclarea dispozitivelor electrice și electronice. Pentru a găsi aceste sisteme de colectare contactați autoritățile locale sau distribuitorul de la care a fost achiziționat produsul. Fiecare gospodărie are un rol important în recuperarea și reciclarea electrocasnicelor vechi. Eliminarea corespunzătoare a electrocasnicelor uzate ajută la prevenirea posibilelor consecințe negative pentru mediu și sănătatea umană.

1.3 Conformitatea cu Directiva RoHS

Produsul pe care l-ați achiziționat este conform cu Directiva RoHS UE (2011/65/UE). Produsul nu conține materiale dăunătoare sau interzise specificate în Directivă.

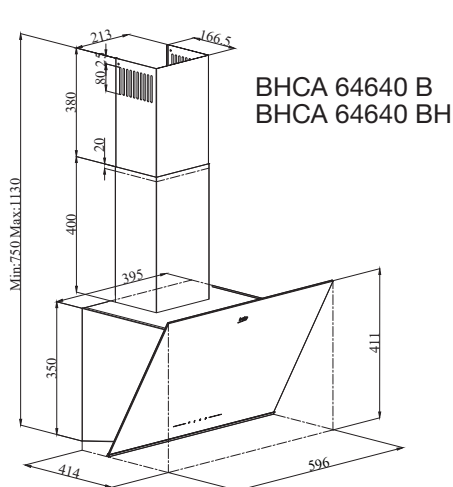
1.4 Informații despre ambalaj



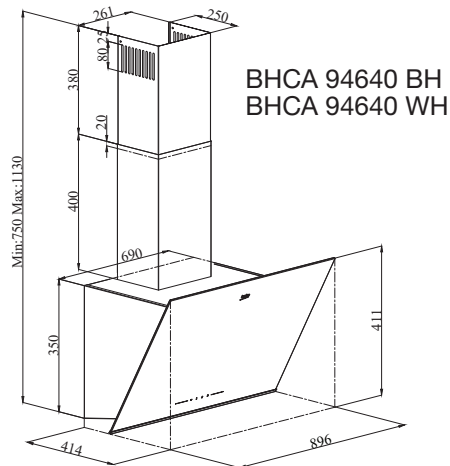
Ambalajul produsului este fabricat din materiale reciclabile, în conformitate cu reglementările naționale de mediu. Nu eliminați ambalajul împreună cu deșeurile menajere sau de alt tip. Transportați-le la punctele de colectare a ambalajelor desemnate de către autoritățile locale.

2 Aspect general

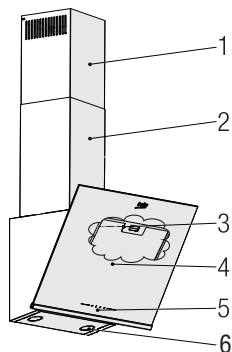
2.1 Prezentare generală



(Figura 1).



(Figura 2)



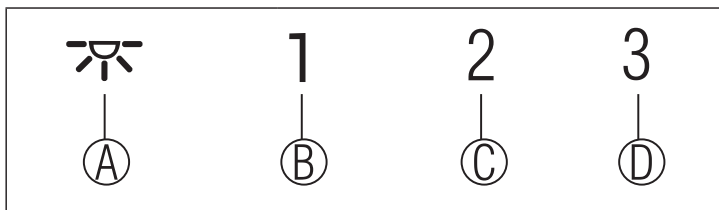
1. Tub de evacuare intern
2. Tub de evacuare extern
3. Filtre de ulei din aluminiu (în spatele capacului de sticlă)
4. Capac de sticlă
5. Ansamblu de control
6. Lampă

2.2 Date tehnice

Model	BHCA 64640 B BHCA 64640 BH	BHCA 94640 BH BHCA 94640 WH
Tensiune alimentare	220-240V ~ 50 Hz	
Alimentare lampă	2 x 3 W	
Putere motor	210 W	
Debit (m ³ /h) – 3. Nivel	631 m ³ /h	623 m ³ /h
Clasa de izolație motor	Clasa F	
Clasa de izolație	Clasa I	

3 Funcționarea aparatului

3.1 Controlul aparatului



CHEIE	FUNCȚIE
(A): Lumină On / Off	Puteți ilumina zona de gătit apăsând acest buton. Apăsăți din nou acest buton pentru a stinge becul.
(B): 1. Buton treaptă	Acționați aparatul la viteza 1. Când apăsați din nou acest buton pentru a opri aparatul, etapa de viteză a ecranului se oprește.
(C): 2. Buton treaptă	Acționați aparatul la viteza 2. Când apăsați din nou acest buton pentru a opri aparatul, etapa de viteză a ecranului se oprește.
(D): Buton treaptă 3	Acționați aparatul la viteza 3. Când apăsați din nou acest buton pentru a opri aparatul, etapa de viteză a ecranului se oprește.

3.2 Funcționarea eficientă din punct de vedere energetic în termeni de economisire

Folosire

- Când folosiți hota, ajustați setările de viteză conform vaporilor și intensității mirosului, pentru a economisi energie.
- Folosiți viteze mici (1-2) în condiții normale și viteze mari (3) pentru mirosuri intense și vapori.
- * Lămpile de pe hotă sunt plasate pentru iluminarea zonei de gătit.

Folosirea lor pentru lumina ambientală va produce consul de energie inutil și lumină insuficientă.

3.3 Instrucțiuni de utilizare

- Hota dvs. conține un motor care are viteze diferite.
- Pentru o performanță mai bună, vă recomandăm să utilizați viteze reduse în condiții normale și viteze mari în caz de mirosuri

puternice și vapori intensi.

- Puteți porni aparatul apăsând butonul de setare a vitezei dorit. (B, C, D)
- Puteți ilumina zona de gătit apăsând lampa (A).

3.4 Oprire automată

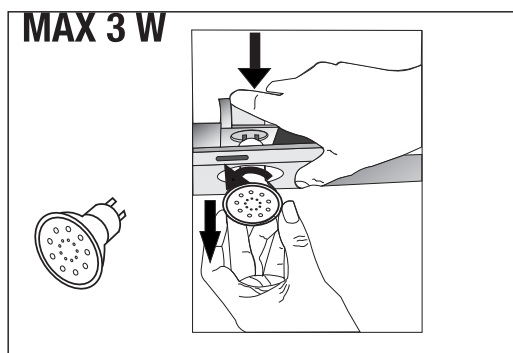
Aparatul dvs. are caracteristica Oprire automată, permițându-i să se ventileze puțin mai mult și să elimine mirosurile nedorite și vaporii din mediu și să se oprească automat după ce se termină gătitul. Pentru a activa funcția Oprire automată, apăsați orice buton al treptei de viteză (B, C, D) de pe panoul de comandă pentru mai mult de 2 secunde; funcția de temporizare de 15 minute se activează. Atunci când funcția de oprire automată este activă, apăsarea aceluiași buton de viteză dezactivează funcția de oprire automată, iar motorul aparatului se oprește. Această caracteristică este dezactivată atunci când comutați între

3 Funcționarea aparatului

diferite etape de viteză.

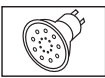
Dacă doriți ca aparatul să se oprească automat, trebuie să activați din nou funcția de oprire automată.

3.5 Înlocuirea becului

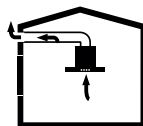


(Figura 3)

Efectuați conexiunile electrice ale aparatului. Aparatul dvs. utilizează un bec LED spot de 3W. Pentru înlocuirea becurilor, apăsați în jos suportul din spate, răsuțiți-l puțin în sensul antiorar și scoateți-l trăgându-l în jos. Aplicați operațiunea de mai sus în sens invers pentru a instala becuri noi (Figura 3).

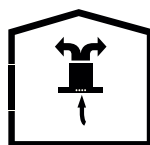
Bec	
Putere Bec (W)	3
Suport / priză	GZ 10
Tensiune bec (V)	220 - 240
Dimensiune (mm)	53 x 50
Cod ILCOS	DR/F3-220-240-GZ10-50-53

3.6 Funcționare cu racordare la tubul de evacuare



- Vaporii sunt extrași prin conducta de evacuare, care este fixată pe capul de conectare de pe hotă.
- Diametrul conductei de evacuare trebuie să fie același cu cel al inelului de conectare. În setări orizontale, țeava trebuie să aibă o ușoară pantă ascendentă (aproximativ 10°), astfel încât aerul să poată ieși cu ușurință din cameră.

3.7 Funcționare fără racordare la tubul de evacuare



- Aerul este filtrat prin filtrul de carbon și recirculat în cameră. Filtrul de carbon este utilizat atunci când este imposibil de utilizat un tub în casă.
- În cazul utilizării fără tub de evacuare, îndepărtați clapetele din interiorul adaptorului pentru tubul de evacuare.
- Scoateți filtrul de ulei. Pentru a instala filtrul de carbon, montați filtrul pe clapete centrându-l pe piesa din plastic de pe ambele părți ale corpului ventilatorului. Strângeți-l prin rotirea spre dreapta sau spre stânga.
- Înlocuiți filtrul de ulei de aluminiu.

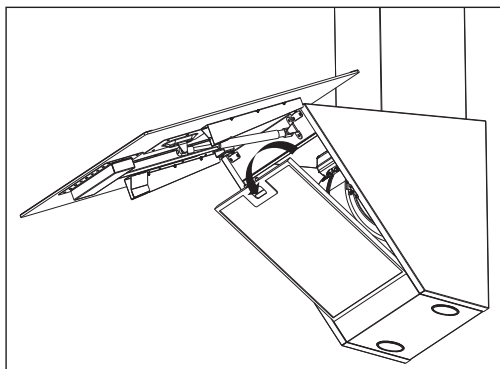
4 Curățarea și întreținerea



Înainte de curățare și întreținere, deconectați produsul sau opriți întrerupătorul.

4.1 Curățarea filtrului de ulei de aluminiu

Acest filtru reține particulele de ulei din aer. Filtrele de ulei de aluminiu își pot schimba culoarea pe măsură ce sunt spălate; acest lucru este normal și nu necesită înlocuirea filtrelor de ulei de aluminiu.



(Figura 4)

- Împingeți în față blocarea filtrului de ulei din aluminiu.
- Apoi trageți-l ușor în jos și trageți-l afară (Figura 4). În caz contrar, filtrul poate fi îndoit. Spălați și clătiți filtrele de ulei din aluminiu cu detergent lichid și înlocuiți filtrele de ulei din aluminiu, efectuând pașii specificați mai sus în ordine inversă. Acest filtru reține particulele de ulei din aer.



Puteți spăla filtrele de ulei de aluminiu în mașina de spălat vase.

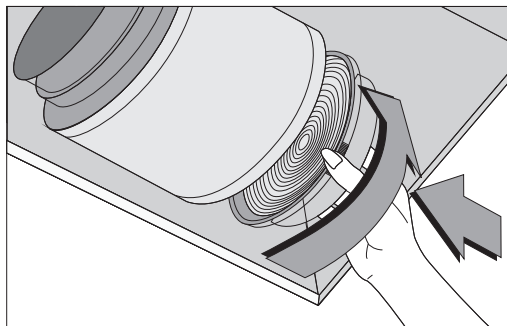


ATENȚIE

În caz de utilizare normală, curățați filtrul o dată pe lună.

4.2 Înlocuirea filtrelor de carbon

Filtrele de îndepărtare a mirosului conțin cărbune (carbon activ). Indiferent dacă este utilizat sau nu un filtru de carbon, trebuie instalate filtrele de grăsime.



(Fig. 5)

- Îndepărtați filtrul de ulei din aluminiu (Figura 4).
- Pentru a scoate filtrul de carbon, scoateți filtrul de carbon din carcasă rotindu-l în sens antiorar de pe clapetă (Figura 5).
- Instalați noul filtru de carbon.
- Atașați filtrul de ulei de aluminiu.



ATENȚIE

Filtrul de carbon nu trebuie spălat niciodată.



ATENȚIE

Înlocuiți filtrele de carbon o dată la 3 luni.



ATENȚIE

Puteți obține filtrul de carbon de la vânzătorii autorizați.

5 Instalarea aparatului



AVERTISMENT!

Înainte de a începe instalarea, citiți informațiile de siguranță din Manualul utilizatorului.

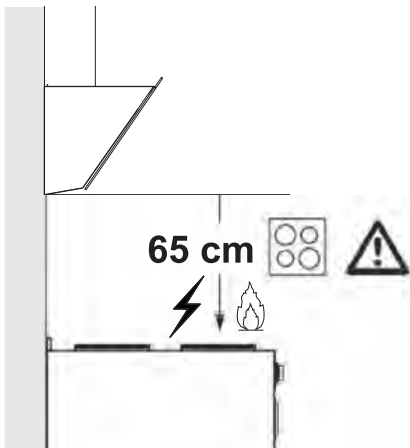


AVERTISMENT!

Neinstalarea cu șuruburi și stabilizatori în conformitate cu aceste instrucțiuni poate duce la electrocutare.

Pentru instalarea hotei, vă rugăm să contactați cel mai apropiat serviciu autorizat. Este responsabilitatea clientului să pregătească locația și instalarea electrică a hotei.

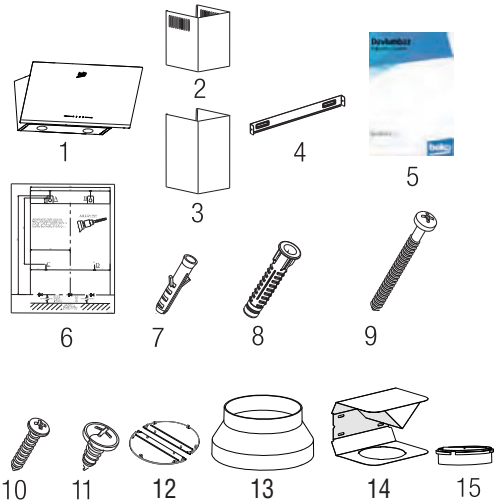
5.1 Poziția aparatului



(Figura 6)

- Distanța dintre aragaz și hotă trebuie luată în considerare înainte de asamblare. Această distanță trebuie să fie de 65 cm (Figura 6).
- Distanța trebuie măsurată de la suprafața grătarului pentru aragazuri pe gaz,
- de la suprafața sticlei pentru aragazuri electrice.

5.2 Accesorii de instalare



1. Produsul
2. Tub de evacuare intern
3. Tub de evacuare extern
4. Placă de conexiune tub evacuare
5. Manual de utilizare
6. Schema de instalare
7. 2x dibluri din plastic \varnothing 6 mm
8. 4x dibluri din plastic \varnothing 8 mm
9. 4x șuruburi de montare pe perete 4,8x50
10. 2x șuruburi pentru placa de conexiune tub evacuare 3,9x22
11. 4x șuruburi pentru conexiune tub evacuare 3,5x9,5
12. Clemă coș de fum
13. Adaptor tub plastic 150/120 mm
14. Deflector de aer
15. Adaptor din plastic (distribuitor de aer)

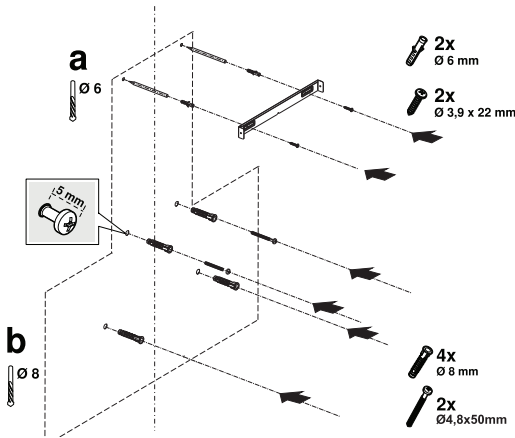
Informațiile necesare pentru a alege locul adecvat pentru instalarea hotei sunt prezentate mai jos.

5.3 Montare pe perete

- Peretele trebuie să fie plat, drept și să aibă o capacitate suficientă de încărcare.

5 Instalarea aparatului

- Adâncimea găurilor trebuie să corespundă cu lungimea șuruburilor.
- Șuruburile și diblurile furnizate sunt potrivite pentru pereți din cărămidă. Pentru alte materiale de construcții (de exemplu, gips carton, placă, beton poros), se folosesc dibluri și piulițe de fixare adecvate.



(Figura 7)

ATENȚIE

Înainte de găurire, asigurați-vă că nu există conducte de alimentare, gaz sau apă, în imediata apropiere a locațiilor de găurire.

Desenați o linie de mijloc din tavan perpendicular pe marginea inferioară a hotei ().

Lipiți șablonul de instalare furnizat în accesorii de pe suprafața pe care va fi montată hota. La efectuarea acestei operațiuni, respectați înălțimea de montare a hotei (pagina 12 / Figura 6).

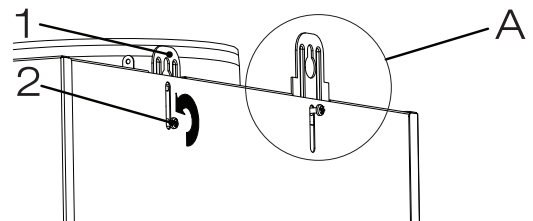
Există o filă în mijlocul placă de conexiune tub evacuare. Amplasați punctul de mijloc al acestei file pe linia pe care este trasată perpendicular pe perete. La efectuarea acestei operațiuni, reglați hota în funcție

de înălțimea maximă (Pagina 8 / Figura 1). Marcați orificiile în care placa de conectare a tubului va fi montată cu ajutorul unui creion (Figura 7/a).

Găuriți punctele marcate cu burghiu de Ø6mm și introduceți 2 dibluri de plastic în găurile perforate (Figura 7/a). Fixați placa de conexiune a tubului de conectare pe perete cu șuruburi 3.9x22 (Figura 7/a).

Pentru a asambla corpul hotei, puteți utiliza burghiul de Ø8mm pentru a găuri punctele A, B, C, D pe șablonul de asamblare și introduceți dibluri din plastic de 4,8x50mm în aceste puncte. (Figura 7/b).

2 buc. șurub suspendare 4,8x50, cu un decalaj de 5 mm între capul șurubului și perete (Figura 7/b).



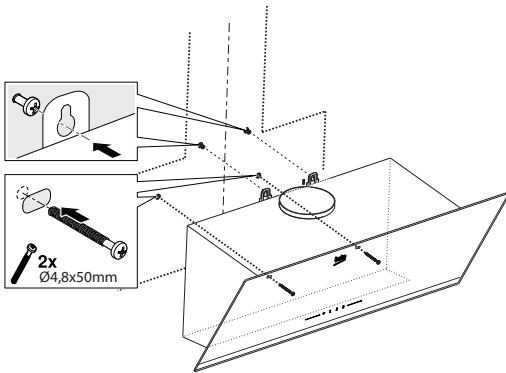
(Figura 8)

1. Placă de agățare
2. Șurub de conexiune placă de agățare

Pentru a vă instala hota pe perete, slăbiți șuruburile de pe plăcile de fixare montate pe cabina motorului și trageți-le în sus, apoi fixați din nou (Figura 8 / A).

Porniți sticla de aspirație a hotei și scoateți filtrul de ulei de aluminiu (pagina 11 / Figura 4).

5 Instalarea aparatului

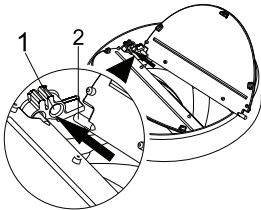


(Figura 9)

Țineți hota de corpul său și puneți-o pe șuruburile de suspendare de pe perete și strângeți șuruburile (Figura 9).

Fixați hota cu două șuruburi de 4.8x50 pe perete prin orificiul de montare din interiorul aparatului (Figura 9).

5.4 Conectarea la tubul de evacuare



(Figura 10)

- 1- Mufă știft clapetă
- 2- Știftul clapetei

Introduceți știftul de plastic (Figura 10 / zona nr. 2) pe mufa cu știfturi de pe evacuarea motorului (Figura 10 / zona nr. 1). Apoi îndoiți ușor clapeta pentru a introduce celălalt știft pe clapetă și introduceți celălalt știft în soclul său (Figura 10).

Dacă aveți de gând să utilizați adaptorul din plastic pentru tubul de evacuare Ø 120/150 mm, conectați un capăt al țevii la acest adap-

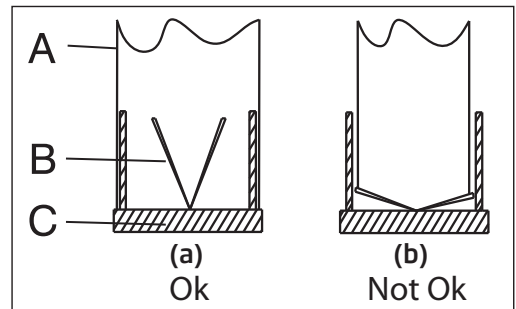
tor, dacă nu aveți de gând să-l utilizați, conectați-l la conducta de evacuare directă a produsului. Conectați celălalt capăt al țevii la tubul de evacuare. Verificați dacă aceste două conexiuni sunt suficient de strânse pentru a nu ieși atunci când aparatul funcționează la putere maximă. Asigurați-vă că clapetele din interiorul tubului funcționează atunci când sunt strânse cu clemă. Conectați conducta de conectare a tubului în afara adaptorului (Figura 11/a). Dacă conducta de conectare este montată în interiorul adaptorului, aspirația aerului nu trebuie să aibă loc, deoarece clapeta tubului care împiedică revenirea aerului va rămâne închisă (Figura 11/b). Lungimea conductei de conectare, precum și numărul de coturi trebuie să fie cât mai mici posibil.

A: Țeavă de ieșire a tubului de evacuare

B: Cleme pentru tub

C: Tub de evacuare din plastic

Supapele sunt închise, apoi aparatul nu funcționează și împiedică pătrunderea în interior a mirosurilor și prafului din exterior.



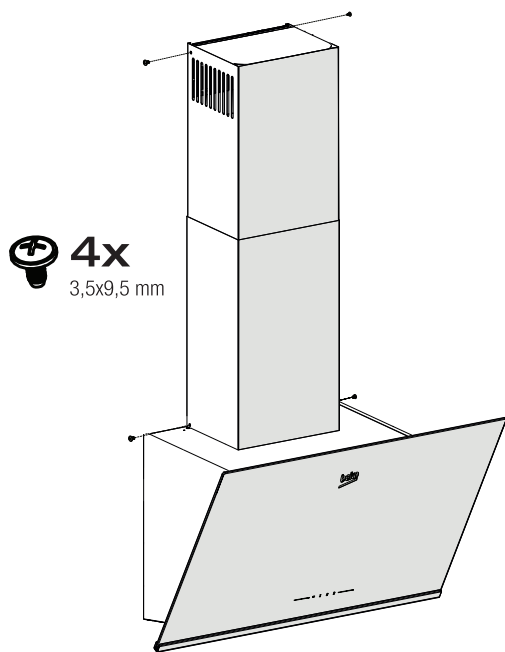
(Figura 11)

5 Instalarea aparatului

5.5 Instalarea hotei la tubul de evacuare

Realizați conexiunea electrică a hotei înainte de a începe instalarea tubului de evacuare. Glisați plăcile tubului de evacuare în jurul corpului. Înșurubați tubul pe plăcile de fixare a tubului disponibile pe cabina motorului. (Figura 12).

Instalați tubul de evacuare pe placa de fixare a tubului care este fixată pe perete de la marginile sale exterioare superioare (Figura 12).

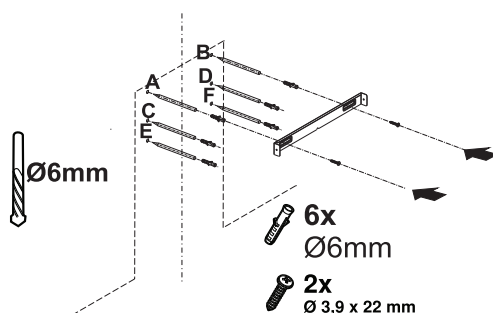


(Fig. 12)

5.6 Instalarea deflectorului de aer

(BHCA 64640 BH - BHCA 94640 BH - BHCA 94640 WH)

În timpul utilizării cu filtrul de carbon, aparatul este dotat cu deflector de aer cu scopul de a elibera din nou aerul care este curățat cu filtrul de carbon din orificiul perforat situat pe tub. Asamblați deflectorul de aer urmând instrucțiunile menționate mai jos.



(Fig. 13)

Există o filă în mijlocul placă de conexiune tub evacuare. Amplasați punctul de mijloc al acestei file pe linia pe care este trasată perpendicular pe perete. Aliniați orizontal și marcați cu un pix găurile în care va fi montată placa de conectare (Figura 13 / A, B).

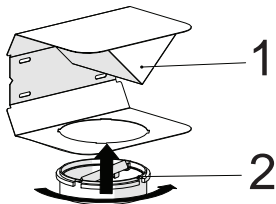
Găuriți punctele marcate cu burghiu de Ø6mm și introduceți două dibluri de plastic Ø6mm în găurile perforate (Figura 13 / A, B).

Fixați placa de conexiune a tubului de conectare pe perete cu șuruburi 3.9x22 (Figura 13 / A, B).

Pentru asamblarea deflectorului de aer, instalați punctele C, D, E, F cu burghiu de Ø6mm și loviți diblurile din plastic Ø6mm (Figura 13).

Asamblați corpul hotei (pagina 14 / Figura 9).

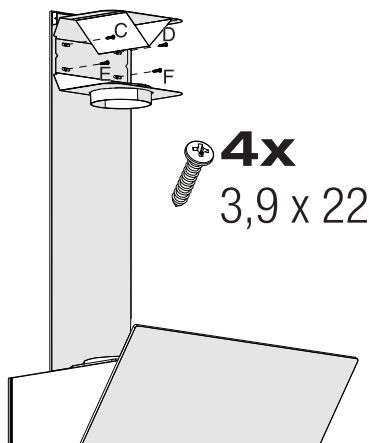
5 Instalarea aparatului



(Figura 14)

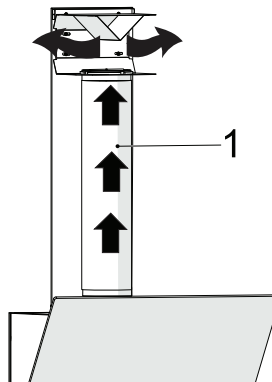
- 1- Deflector de aer
- 2- Tub de evacuare din plastic

Atașați adaptorul de tub din plastic, care este inclus în pachet, în direcția deflectorului de aer. Blocați adaptorul tubului rotindu-l în direcția săgeții (Figura 14).



(Fig. 15)

Asamblați grupul deflectorului de aer cu șuruburi 3,9 x 22 din punctele C, D, E, F pe care le-ați pregătit deja (Figura 15).



(Fig. 16)

- 1- Țeavă de evacuare a aerului din aluminiu
- Asigurați asamblarea conductei de evacuare a aerului (Figura 16).



Din moment ce răscucirea și îndoirea țevii de aluminiu va duce la reducerea puterii de aspirație a aerului, evitați să îndoiți sau să răscuciți țeava.

Instalați plăcile de tub ale hotei (pagina 14 / Figura 9)

6 Eliminarea defecțiunilor

Eliminarea defecțiunilor	Cauză principală	Ajutor
Aparatul nu funcționează.	Verificați siguranțele	Siguranța poate fi arsă, inspectați-o și restabiliți-o.
Aparatul nu funcționează.	Verificați conexiunea electrică.	Tensiunea rețelei trebuie să fie cuprinsă între 220 și 240 V.
Aparatul nu funcționează.	Verificați conexiunea electrică.	Verificați dacă alte aparate din bucătărie funcționează.
Lampa de iluminat nu funcționează.	Verificați conexiunea electrică.	Tensiunea rețelei trebuie să fie cuprinsă între 220 și 240 V.
Lampa de iluminat nu funcționează.	Inspectați comutatorul lămpii.	Înterupătorul lămpii trebuie să fie în poziția „on” (pornit).
Lampa de iluminat nu funcționează.	Inspectați becurile.	Lămpile aparatului se aprind.
Admisia de aer a aparatului este inadecvată.	Inspectați filtrul din aluminiu.	În condiții normale de funcționare, filtrul de ulei din aluminiu trebuie curățat cel puțin o dată pe lună.
Admisia de aer a aparatului este inadecvată.	Verificați tubul de evacuare a aerului.	Tubul de evacuare a aerului trebuie să fie în poziția „on” (pornit).
Admisia de aer a aparatului este inadecvată.	Inspectați filtrul de carbon.	Filtrele aparatelor cu filtre de carbon se înlocuiesc o dată la 3 luni, în condiții normale.



CERTIFICAT DE GARANȚIE

Tensiune de alimentare/frecvență: 220-240V~, 50-60Hz
Importator: ARCTIC S.A., Găești, Dâmbovița, str. 13 Decembrie nr. 210, email: office@arctic.ro

TIP: Aragaz Cuptor încorporabil Plită încorporabilă Hotă

Model / Serie:.....

VÂNZĂTOR

Nr. factură:.....Data:

Vânzător (firma, localitatea):

CUMPĂRĂTOR

NumeLocalitatea

Str.Nr.BlocSc.Et.Ap.

Județ TelefonE-mail

S-a efectuat proba de funcționare a aparatului, s-a prezentat modul de folosire, s-au predat instrucțiunile de utilizare și toate accesoriile. Am primit aparatul în perfectă stare de funcționare.

Stimați clienți,

La cumpărare vă recomandăm să solicitați efectuarea probei de funcționare și să verificați existența instrucțiunilor de utilizare și a accesoriilor.

Pentru a putea beneficia de toate avantajele produselor și serviciilor noastre vă rugăm:

- să citiți cu atenție și să respectați recomandările prezentate în "Instrucțiunile de utilizare",
- să păstrați cu grijă acest certificat pentru a-l putea prezenta (împreună cu documentul fiscal de achiziție), personalului SERVICE, la orice sesizare efectuată în perioada de garanție.

Vă mulțumim că ați optat pentru cumpărarea unui produs Beko!

Durata medie de utilizare a produsului este de 10 ani!
Perioada de garanție legală de conformitate este de 2 ani de la intrarea produsului în posesia consumatorului.

Art. 22, alin. 3-6, din L449/2003, modificata de OG 9/2016:

- (3) Termenul de nefuncționare din cauza lipsei de conformitate apărute în cadrul termenului de garanție prelungeste termenul de garanție legală de conformitate și cel al garanției comerciale și curge, după caz, din momentul la care a fost adusă la cunoștință vânzătorului lipsa de conformitate a produsului sau din momentul prezentării produsului la vânzător/unitatea service până la aducerea produsului în stare de utilizare normală și, respectiv, al notificării în scris în vederea ridicării produsului sau predării efective a produsului către consumator.
- (4) Produsele de folosință îndelungată care înlocuiesc produsele defecte în cadrul termenului de garanție vor beneficia de un nou termen de garanție care curge de la data preschimbării produsului.
- (5) Produsele de folosință îndelungată defectate în termenul de garanție legală de conformitate, atunci când nu pot fi reparate sau când durata cumulată de nefuncționare din cauza deficiențelor apărute în termenul de garanție legală de conformitate depășește 10% din durata acestui termen, la cererea consumatorului, vor fi înlocuite de vânzător sau acesta va restitui consumatorului contravaloarea produsului respectiv.
- (6) Termenul de garanție curge de la data intrării bunului respectiv în posesia consumatorului, inclusiv pentru bunurile noi de folosință îndelungată, obținute prin tragere la sorți la tombole, câștigate la concursuri și similare sau acordate cu reducere de preț ori gratuit de către operatorii economici.

Garanția oferită de producător nu exclude garanția de viciu ascuns, conform OG 21/1992 (R2) privind protecția consumatorului și Codul Civil.



Service-ul acestui produs este asigurat de ARCTIC S.A. cu sediul în Găești, Dâmbovița, str. 13 Decembrie nr. 210. • *9010 • www.arctic.ro • www.beko.ro • e-mail: service@beko.ro
Program Call Center: Luni - Vineri 08:30 - 20:00; Sâmbătă 08:30 - 17:00

UNITĂȚILE SERVICE ALE ARCTIC S.A. EXECUTĂ REPARAȚII ÎN TERMENUL DE GARANȚIE ȘI ÎN AFARA ACESTUIA

Nr. crt.	Data Reclamației	Data primirii în reparație	Reparat		Reparația curentă și/sau componenta înlocuită	Prelungirea termenului de garanție	Efectuarea verificării	
			Programat	Data ridicării aparatului			Cauza întârzierii	SERVICE

CONDITII DE GARANȚIE LEGALĂ DE CONFORMITATE ȘI GARANȚIE COMERCIALĂ:

Pentru orice defecțiune aparută în perioada de garanție sau post-garanție, apălați la magazinul de unde a fost achiziționat produsul sau direct la Call Center Arctic.

Prelungirea termenului de garanție se va înscrie în certificatul de garanție de către unitatea SERVICE care a efectuat reparația.

Garanția acoperă repararea și/sau înlocuirea pieselor constatate ca defecte (necauzate de consumator) de către tehnicienii Service.

Termenul de realizare a operațiilor de reparare, înlocuire sau întreținere este de 15 zile calendaristice de la data la care cumpărătorul a sesizat defecțiunea la magazinul de unde a achiziționat produsul sau direct la Call Center Arctic.

Reclamațiile referitoare la aspectele prevăzute mai jos, se rezolvă numai contra cost:

- a) nefuncționarea lămpilor de iluminare;
- b) accesoriile care nu au defecte ascunse de material constatate de tehnicienii Service;
- c) piesele și accesoriile care prezintă lovituri, zgârieturi, spărturi sau deformări.

PRODUSUL NU BENEFICIAZĂ DE GARANȚIE LEGALĂ DE CONFORMITATE ȘI DE GARANȚIE COMERCIALĂ ÎN URMĂTOARELE CAZURI:

1. Nu au fost respectate instrucțiunile de transport, manipulare, instalare, utilizare și întreținere prescrite.
2. Subansamblurile și accesoriile casabile care se deteriorează în timpul transportului vor fi înlocuite de vânzător (în cazul în care asigură transportul).
3. Garanția nu se acordă subsansamblelor și accesoriilor casabile ale produselor care suferă deteriorări din vina consumatorului.
4. Tensiunea de alimentare are valori care nu se încadrează în limitele prevăzute de standarde de standarde (SR EN 50160).
5. Instalația electrică a utilizatorului prezintă improvizatii sau neconformități.
6. Produsul a fost folosit în alte scopuri decât cel pentru care a fost proiectat.
7. Produsul a suportat intervenții (reparații, modificări) din partea unor persoane neautorizate de producător.

Drepturile consumatorului sunt cele prevăzute în Legea 49/2003 (republicată) și OG 21/1992 (republicată).

Najskôr si prečítajte túto príručku!

Vážení zákazníci,

Ďakujeme Vám, že ste si zvolili spotrebič BEKO. Boli by sme radi, keby ste dosiahli optimálnu účinnosť tohto vysoko kvalitného výrobku, ktorý bol vyrobený pomocou najmodernejších technológií. Pred použitím sa uistite, že ste si túto príručku a doplnkovú dokumentáciu prečítali a porozumeli jej, a pred použitím si ju uschovajte ako referenciu. Priložte túto príručku k spotrebiči, ak ho odovzdáte niekomu inému. Dodržiavajte všetky varovania a informácie uvedené v tomto dokumente a postupujte podľa pokynov.

Nezabúdajte, že táto Užívateľská príručka sa môže vzťahovať na viacero modelov výrobkov. Príručka jasne ukáže všetky variácie rôznych modelov.

Symboly a ich významy

V tejto príručke sa používajú tieto symboly:



Dôležité informácie a odporúčania týkajúce sa používania spotrebiča.



VÝSTRAHA : Varovania pred zranením alebo poškodením majetku.



Varovanie pred úrazom elektrickým prúdom,



Nebezpečenstvo požiaru.



Tento produkt bol vyrobený v moderných zariadeniach rešpektujúcich životné prostredie bez poškodenia prírody.

Je súlade s predpismi WEEE.



Neobsahuje žiadne PCB.

1 Dôležité bezpečnostné a environmentálne pokyny

1.1 Všeobecná bezpečnosť

Dôležité bezpečnostné pokyny: Dôkladne si ich prečítajte a uschovajte pre nahliadnutie v budúcnosti

Táto časť obsahuje bezpečnostné pokyny, ktoré pomôžu ochrániť pred zranením osôb, poškodením majetku, vznikom požiaru alebo pred zásahom elektrickým prúdom. Nedodržanie týchto pokynov zruší platnosť akejkoľvek záruky.

- Produkty Beko spĺňajú platné bezpečnostné štandardy. V prípade akéhokoľvek poškodenia spotrebiča alebo napájacieho kábla musí byť oprava alebo výmena vykonaná predajcom, servisným centrom alebo odborníkom z autorizovaného servisu, aby sa predišlo akémukoľvek nebezpečenstvu. Chybná alebo neodborná oprava môže pre užívateľa predstavovať nebezpečenstvo a riziko.
- Tento spotrebič je určený len na použitie v domácnostiach a podobných prostrediach, ako sú napríklad:
 - kuchynky pre zamestnancov v obchodoch, kanceláriách a iných pracovných prostrediach,
 - budovy na farmách,
 - priestory pre klientov v hoteloch, motelloch a ďalších obytných prostrediach,
 - prostredia ubytovania typu Bed and Breakfast.
- Spotrebič používajte iba na určený účel,

ako je popísané v tomto návode.

- Výrobca nenesie žiadnu zodpovednosť za žiadne škody spôsobené nesprávnou alebo nevhodnou inštaláciou alebo nevhodným používaním produktu.
- Tento spotrebič môžu používať deti staršie ako 8 rokov a osoby so zníženými fyzickými, vnemovými alebo mentálnymi schopnosťami, prípadne nedostatkom skúseností a vedomostí, pokiaľ sú počas prevádzky spotrebiča pod náležitým dozorom alebo sú im dané inštrukcie o bezpečnom používaní spotrebiča a sú si vedomí sprievodných rizík.
- Deťom nesmie byť dovolené hrať sa so spotrebičom. Deti bez dozoru nesmú vykonávať čistenie ani používateľskú údržbu.
- Minimálna vzdialenosť medzi varnými plochami sporáka a najnižšou časťou odsávača musí byť najmenej 65 cm.
- Ak sa v pokynoch pre plynový sporák uvádza väčšia vzdialenosť, musíte ju zohľadniť.
- Skontrolujte, či vaše napájanie zodpovedá informáciám uvedeným na štítku spotrebiča.
- Nikdy nepoužívajte spotrebič, ak je napájací kábel alebo samotný spotrebič poškodený.
- Zabráňte poškodeniu napájacieho kábla tým, že zabránite jeho pritlačeniu, ohýbaniu alebo odieraniu sa o ostré hrany. Napájací kábel udržiavajte mimo horúcich povrchov a otvoreného ohňa.

1 Dôležité bezpečnostné a environmentálne pokyny

- Spotrebič zapájajte iba do uzemnenej zásuvky.

VAROVANIE: Spotrebič nepripájajte k elektrickej sieti, kým úplne nedokončíte inštaláciu.

- Spotrebič umiestnite tak, aby bola zástrčka vždy prístupná.
- Nedotýkajte sa lúčov, ak boli v prevádzke po dlhý čas. Keďže sú horúce, mohli by ste si popáliť ruky.
- Dodržiavajte predpisy vydané kompetentnými úradmi týkajúce sa vypúšťania odsávaného vzduchu (toto neplatí pre použitie bez dymovodu).
- Váš spotrebič spustíte len vtedy, ak je na varnej doske hrniec, panvica atď. V opačnom prípade môže teplo spôsobiť deformáciu niektorých častí vášho spotrebiča.
- Varnú dosku vypnite pred tým, ako z nej zložíte hrniec, panvicu a pod.
- Na varnej doske nenechávajte horúci olej. Panvice s horúcim olejom môžu zapríčiniť samovznietenie.
- Dávajte pozor na závesy a prikrývky, keďže by olej pri tepelnej úprave mohol vzbĺknúť, napr. pri smažení.
- Filter mastnoty sa musí vymieňať aspoň raz mesačne. Uhlíkový filter sa musí vymieňať aspoň každé 3 mesiace.
- Spotrebič musí byť čistený v súlade s používateľskou príručkou. Ak čistenie nebolo vykonané v súlade s používateľskou príruč-

kou, môže hroziť nebezpečenstvo požiaru.

- Súčasné filtre nenahrádzajte materiálmi, ktoré nie sú ohňovzdorné.
- Používajte len originálne časti odporúčané výrobcom.
- Spotrebič nespúšťajte bez filtra a filtre nevyberajte počas prevádzky spotrebiča.
- V prípade, ak sa na spotrebiči objavia plamene, odpojte spotrebič aj zariadenia určené na varenie od elektrickej siete.
- V prípade vzniku ohňa zakryte plamene a nikdy nepoužívajte vodné hasiace prístroje.
- Spotrebič odpojte pred každým čistením a v prípade, že ho nepoužívate.
- Negatívny tlak prostredia by nemal presiahnuť 4 Pa (4 x 10 bar), pokiaľ je digestor pre elektrickú varnú dosku v prevádzke súčasne so spotrebičmi fungujúcimi na inom type energie.
- V prostredí, kde je tento spotrebič používaný, musia byť výfuky zariadení fungujúcich na palivách, ako je olej alebo plyn, napr. izbové vykurovacie telesá, úplne oddelené alebo tieto zariadenia musia byť hermetického typu.
- Pri montáži dymovodu použite potrubie s priemerom 120 mm alebo 150 mm. Pripojenie cez potrubie musí byť čo najkratšie a mať čo najmenej kolien.

Nebezpečenstvo udusenía! Všetky obaly uchovajte mimo dosahu detí.

VÝSTRAHA: Prístupné časti sa počas súčas-

1 Dôležité bezpečnostné a environmentálne pokyny

ného používania so spotrebičmi na varenie môžu zahriať.

- Výfuk spotrebiča nesmie byť napojený na vzduchové potrubia, ktoré obsahujú iný dym.
- Vetranie miestnosti môže byť nedostačonné, ak sa digestor pre elektrické varné dosky používa súčasne so zariadeniami využívajúcimi plyn alebo iné palivá (toto sa nevzťahuje na zariadenia, ktoré vypúšťajú vzduch späť do tej istej miestnosti).
- Predmety položené na spotrebič môžu spadnúť. Na spotrebič nekladte žiadne predmety.
- Pod spotrebičom neflambujte.

VAROVANIE: Pred inštaláciou digestora odstráňte ochranné fólie.

- Počas prevádzky pod digestorom nikdy ne nechávajúce vysoké priame plamene.
- Fritézy sa musia počas používania neprerušite monitorovať: prehriaty olej môže vzplanúť.

1.2 Súlad so smernicou o OEEZ a likvidácia vyradeného produktu:

Tento výrobok je v súlade so smernicou o OEEZ. (2012/19/EU). Tento výrobok je označený klasifikačným symbolom pre odpad z elektrických a elektronických zariadení (OEEZ).



Tento symbol znamená to, že tento výrobok sa na konci jeho životnosti nesmie likvidovať spolu s iným

domácim odpadom. Použité spotrebiče sa musia odovzdať na oficiálnych zberných miestach na recykláciu elektrických a elektronických zariadení. Obráťte sa na miestne úrady alebo na predajcu, u ktorého ste si výrobok zakúpili, a informujte sa o umiestnení zberných zariadení. Každá domácnosť zohráva dôležitú úlohu v obnove a recyklácii starých spotrebičov.

Správna likvidácia starého spotrebiča pomáha predísť možným negatívnym následkom pre životné prostredie a ľudské zdravie.

1.3 Súlad so smernicou RoHS

Výrobok, ktorý ste si zakúpili, vyhovuje smernici EÚ RoHS (2011/65/EÚ). Neobsahuje škodlivé ani zakázané materiály špecifikované v tejto smernici.

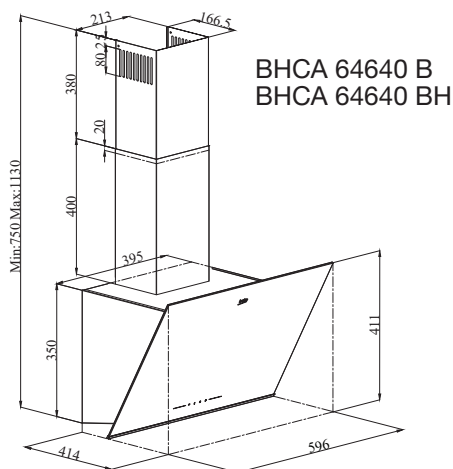
1.4 Informácie o balení



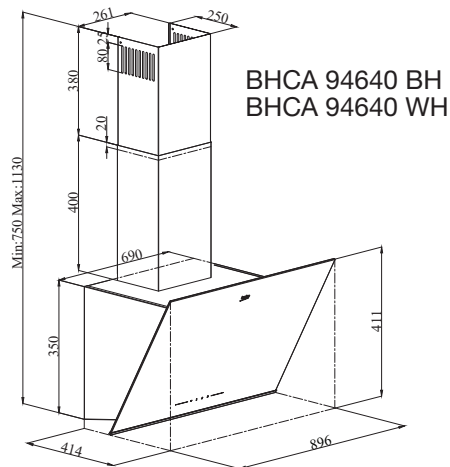
Obalové materiály tohto výrobku sú vyrobené z recyklovateľných materiálov v súlade s našimi Národnými environmentálnymi predpismi. Baliaci materiál nelikvidujte spolu s domovým odpadom alebo inými druhmi odpadu. Odneste ich na zberné miesto baliaceho materiálu, určené miestnymi úradmi.

2 Všeobecný vzhľad

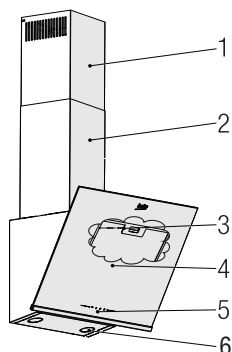
2.1 Prehľad



(Obrázok č. 1).



(Obrázok č. 2)



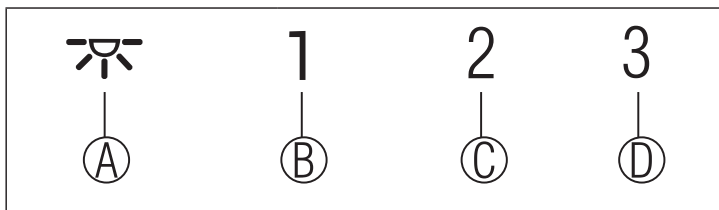
1. Vnútorý vzduchovod
2. Vonkajší vzduchovod
3. Hliníkové olejové filtre
(za skleneným krytom)
4. Sklenený kryt
5. Riadiaca zostava
6. Svetidlo

2.2 Technické údaje

Model	BHCA 64640 B BHCA 64640 BH	BHCA 94640 BH BHCA 94640 WH
Napájacie napätie	220-240V ~ 50 Hz	
Napájanie svetla	2 x 3 W	
Výkon motora	210 W	
Prietok (m ³ /h) - 3. Úroveň	631 m ³ /h	623 m ³ /h
Trieda izolácie motora	Trieda F	
Izolačná trieda	Trieda I	

3 Prevádzka spotrebiča

3.1 Ovládanie zariadenia



KEY	FUNKCIE
(A): Zapnutie/vypnutie svetla	Stlačením tohto tlačidla môžete osvietiť varnú oblasť. Pre vypnutie lampy stlačte tlačidlo znovu.
(B): 1. Tlačidlo etapy	Prevádzkuje spotrebič pri prvej rýchlosti. Po opätovnom stlačení tohto tlačidla prístroj vypnete, stupeň rýchlosti obrazovky sa vypne.
(C): 2. Tlačidlo etapy	Prevádzkuje spotrebič pri druhej rýchlosti. Po opätovnom stlačení tohto tlačidla prístroj vypnete, stupeň rýchlosti obrazovky sa vypne.
(D) : Tlačidlo 3. fázy	Prevádzkuje spotrebič pri tretej rýchlosti. Po opätovnom stlačení tohto tlačidla prístroj vypnete, stupeň rýchlosti obrazovky sa vypne.

3.2 Energeticky úsporná prevádzka z hľadiska úspory Používanie

- Pri používaní spotrebiča, upravte nastavenie rýchlosti podľa intenzity pary a zápachov, z dôvodu šetrenia energie.
- Používajte nízku rýchlosť (1-2) za obvyklých podmienok a vysokú rýchlosť (3) pri intenzívnom zápachu a pary.
- * Lampy na odsávači sú umiestnené pre osvetlenie priestoru na varenie.

Ich používanie na osvetlenie priestoru bude viesť k zbytočným výdavkom energie a k nedostatočnému osvetleniu.

3.3 Návod na obsluhu

- Váš spotrebič obsahuje motor, ktorý má premenlivú rýchlosť.
- Pre lepšiu výkonnosť odporúčame používať nízke rýchlosti za normálnych podmienok a vysoké rýchlosti v prípade silných zápachov a intenzívnych výparov.

- Spotrebič môžete spustiť stlačením tlačidla požadovaného nastavenia rýchlosti. (B, C, D)
- Varnú zónu môžete osvetliť stlačením lampy (A).

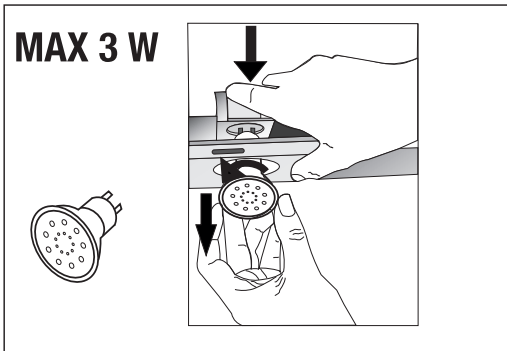
3.4 Automatické zastavenie

Váš prístroj má funkciu automatického zastavenia, ktorá umožňuje trochu vetrať a odstrániť nežiaduce pachy a pary vo vnútri prostredia a po ukončení varenia sa automaticky vypne. Ak chcete povoliť funkciu automatického zastavenia, stlačte ľubovoľné tlačidlo rýchlostného stupňa (B, C, D) na ovládacom paneli dlhšie ako 2 sekundy; aktivuje sa funkcia 15-minútového časovača. Ak je funkcia automatického zastavenia aktívna, stlačením toho istého tlačidla rýchlosti sa deaktivuje funkcia automatického zastavenia a motor spotrebiča sa zastaví. Táto funkcia je vypnutá, keď prepínate medzi rôznymi stupňami rýchlosti.

Ak chcete, aby sa zariadenie zastavilo automaticky, musíte znova povoliť funkciu automatického zastavenia.

3 Prevádzka spotrebiča

3.5 Výmena žiaroviek

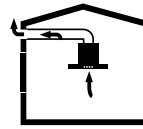


(Obrázok č. 3)

Vykonajte elektrické pripojenie spotrebiča. Váš spotrebič používa bodové LED svetlo 3W. Pri výmene žiaroviek zatlačte držiak smerom dozadu, otočte ho proti smeru hodinových ručičiek a vyberte ho smerom dole. Použite vyššie uvedenú operáciu dozadu a nainštalujte nové žiarovky (obrázok 3).

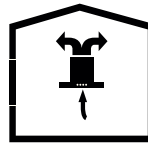
Žiarovka	
Výkon žiarovky (W)	3
Držiak / zásuvka	GZ 10
Napätie žiarovky (V)	220 - 240
Veľkosť (mm)	53 x 50
ILCOS kód	DR/F3-220-240-GZ10-50-53

3.6 Prevádzka s komínom



- Para sa odvádza cez komínové potrubie, ktoré je pripojené k pripojovacej hlave na odsávači pár.
- Priemer komína musí byť rovnaký ako spojovací krúžok. V horizontálnych nastaveniach musí mať potrubie mierny sklon nahor (okolo 10 °), aby mohol vzduch ľahko unikáť z miestnosti.

3.7 Prevádzka bez komína



- Vzduch sa filtruje cez uhlíkový filter a recirkuluje v miestnosti. Uhlíkový filter sa používa, keď nie je možné v dome použiť komín.
- Pri bezprúdovom používaní odstráňte klapky vo vnútri komínového adaptéra.
- Vyberte olejový filter. Ak chcete nainštalovať uhlíkový filter, nasadte filter na úchytky centrováním na plastový kus na oboch stranách tela ventilátora. Dotiahnite ho otočením doprava alebo doľava.
- Vymeňte hliníkový olejový filter.

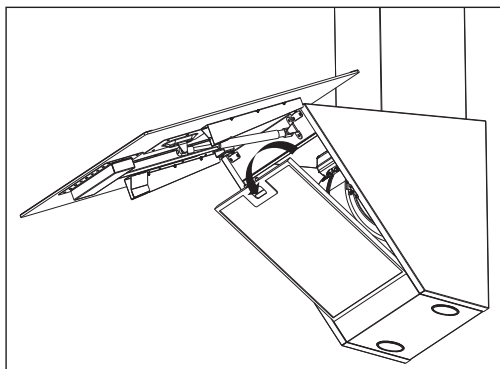
4 Čistenie a údržba



Pred čistením a údržbou výrobok odpojte alebo vypnite vypínač.

4.1 Čistenie hliníkových olejových filtrov

Tento filter zadržiava častice oleja zo vzduchu. Filtry z hliníkového oleja môžu pri umývaní zmeniť farbu; je to normálne a nevyžaduje výmenu hliníkových olejových filtrov.



(Obrázok č. 4)

- Hliníkový olejový filter zatlačte dopredu.
- Potom ho mierne potiahnite a vytiahnite (Obrázok 4). V opačnom prípade môžete filter ohnúť. Hliníkový olejový filter umyte a opláchnite tekutým čistiacim prostriedkom a vráťte hliníkový olejový filter so svojich uložení vykonaním vyššie uvedených krokov v opačnom poradí. Tento filter zadržiava častice oleja zo vzduchu.



Hliníkové olejové filtry môžete tiež umyť v umývačke riadu.

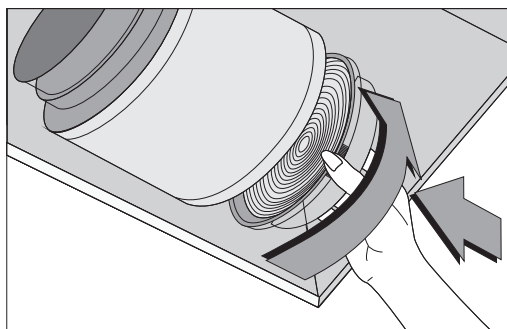


VÝSTRAHA

V prípade normálneho používania vyčistite filter raz za mesiac.

4.2 Výmena uhlíkových filtrov

Filtry na odstraňovanie zápachu obsahujú aktívne uhlie (aktívny karbón). V produkte musí byť inštalovaný tukový filter, bez ohľadu na to, či sú alebo nie sú používané filtry s aktívnym uhlím.



(Obr. č. 5)

- Vyberte hliníkové olejové filtry (obrázok č. 4).
- Ak chcete vybrať uhlíkový filter, vyberte uhlíkový filter z jeho krytu jeho otočením proti smeru hodinových ručičiek z úchytky (Obrázok č. 5).
- Nainštalujte nový uhlíkový filter.
- Namontujte hliníkový olejový filter.



VÝSTRAHA

Uhlíkový filter sa nesmie nikdy umývať.



VÝSTRAHA

Vymeňte uhlíkové filtry raz za 3 mesiace.



VÝSTRAHA

Uhlíkový filter môžete získať od autorizovaných servisov.

5 Inštalácia Spotrebiča



UPOZORNENIE!

Pred začatím inštalácie si prečítajte bezpečnostné pokyny v používateľskej príručke.



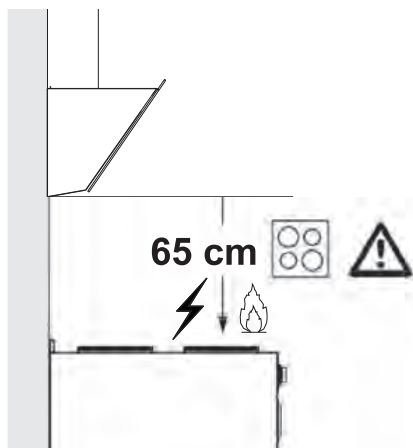
UPOZORNENIE!

Neinštalovanie skrutiek a stabilizátorov podľa týchto pokynov môže mať za následok úraz elektrickým prúdom.

Ak chcete nainštalovať odsávač pár, kontaktujte najbližšiu autorizovanú službu.

Zákazník je zodpovedný za prípravu umiestnenia a elektrickej inštalácie odsávača pár.

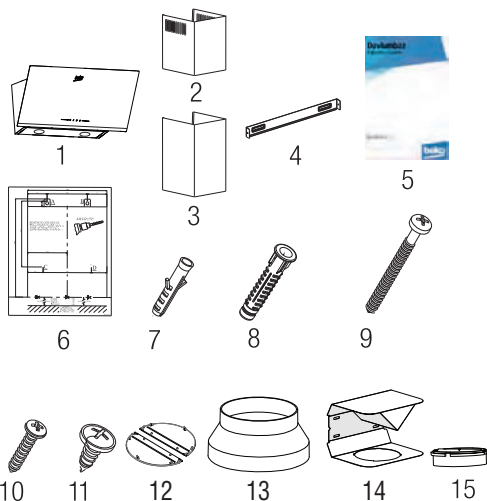
5.1 Pozícia spotrebiča



(Obrázok č. 6)

- Pred zmontovaním zvážte vzdialenosť medzi sporákom a odsávačom. Táto vzdialenosť musí byť aspoň 65 cm (obrázok 6).
- U plynových sporákov sa musí merať vzdialenosť od povrchu mriežky,
- pre elektrické sporáky od povrchu skla.

5.2 Inštalčné príslušenstvo



1. Výrobok
2. Vnútrotný vzduchovod
3. Vonkajší vzduchovod
4. Kominová prípojová doska
5. Návod na použitie
6. Rozmery zostavy
7. 2x Ø6mm Plastová hmoždinka
8. 4x Ø8mm Plastová hmoždinka
9. 4x 4.8x50 Skrutka pre upevnenie na stenu
10. 2x 3.9x22 Skrutka prípojnej dosky vzduchovodu
11. 4x 3.5x9.5 Skrutka na pripojenie vzduchovodu
12. Kovová kominová svorka
13. Plastový kominový adaptér 150/120 mm
14. Vzduchová clona
15. Plastový adaptér (odvádzač vzduchu)

Informácie potrebné pre miesto vhodné na inštaláciu odsávača pár, sú uvedené nižšie.

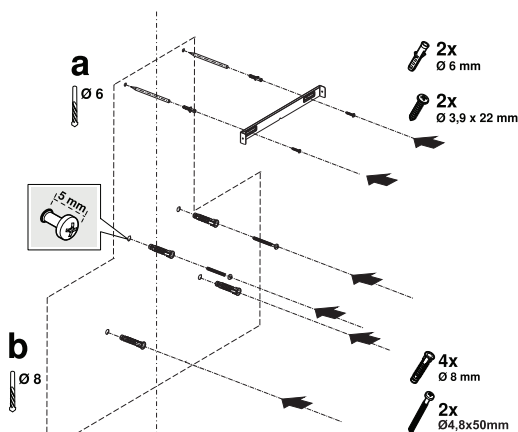
5.3 Inštalácia spotrebiča na stenu

- Stena musí byť plochý, rovný a musí mať

5 Inštalácia Spotrebiča

dostatočnú nosnosť.

- Hĺbka navŕtaných otvorov musí byť v súlade s dĺžkou skrutiek.
- Dodané skrutky a hmoždinky sú vhodné pre tehlové steny. Pri ostatných stavebných materiáloch (napr. sadrokartón, doska, pórobetón) sa použijú vhodné upevňovacie hmoždinky a matice.



(Obrázok č. 7)



VÝSTRAHA

Pred vŕtaním sa uistite, že v tesnej blízkosti miest vŕtania nie sú rozvody elektriny, plynu alebo vody.

Nakreslite strednú čiaru od stropu kolmo na dolný okraj odsávača ().

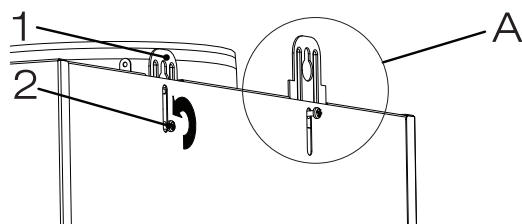
Umiestnite inštaláciu šablónu, ktorá je súčasťou príslušenstva, na povrch, na ktorý sa má odsávač pár namontovať. Pri tejto činnosti dodržujte montážnu výšku odsávača pár (Strana 12 / Obrázok č. 6). Uprostred dosky na pripojenie komína sa nachádza jazyček. Umiestnite stredný bod tejto úchytky na čiaru, ktorá je nakreslená kolmo na stenu. Pri tejto činnosti nastav-

te odsávač pár podľa maximálnej výšky (Strana 8 / Obrázok č. 1). Pomocou pera označte otvory, na ktoré sa pripevní doska na odvod vzduchu (Obrázok č. 7/a).

Vyvŕtajte označené body vrtákom $\varnothing 6\text{mm}$, do vyvŕtaných otvorov vložte dve plastové hmoždinky $\varnothing 6\text{mm}$ (Obrázok č. 7/a). Dosku na pripojenie komína pripevnite na stenu pomocou skrutiek 3,9x22 (Obrázok 7/a).

Na zostavenie tela odsávača pár môžete pomocou $\varnothing 8\text{ mm}$ vŕtáka vyvŕtať body A, B, C, D na montážnej šablóne a do týchto miest vložiť plastové hmoždinky 4,8 x 50 mm. (Obrázok č. 7/b).

2 dielna 4,8 x 50 závesná skrutka s vôľou 5 mm medzi hlavou skrutky a stenou (obrázok č. 7/b).



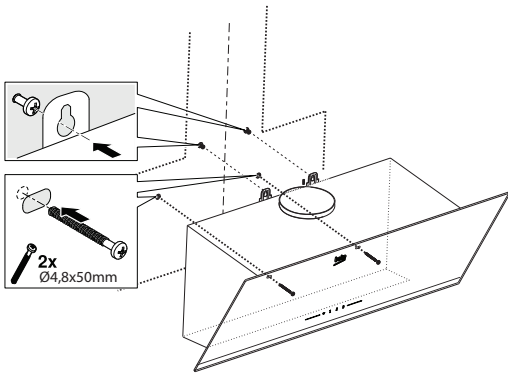
(Obrázok č. 8)

1. Závesná doska
2. Skrutka na pripojenie závesnej dosky

Ak chcete namontovať odsávač pár na stenu, povoľte skrutky na závesných doskách namontovaných na skrinke motora, vytiahnite ich a potom znova pripevnite (Obrázok č. 8/A).

Zapnite nasávacie sklo odsávača pár a vyberte hliníkový olejový filter (Strana 11 / Obrázok č. 4).

5 Inštalácia Spotrebiča

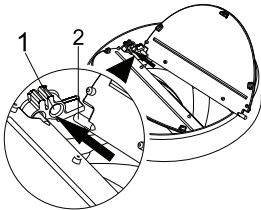


(Obrázok č. 9)

Odsávač pár držte za jeho telo a položte ho na montážne skrutky na stene a utiahnite skrutky (Obrázok č. 9).

Zaistite odsávač pár pomocou dvoch skrutiek 4.8x50 k stene cez montážny otvor na vnútornej strane spotrebiča (Obrázok č. 9).

5.4 Pripojenie na komín



(Obrázok č. 10)

1- Zástrčka kolíka s klapkou
2- Kolík klapky

Vložte plastový čap (Obrázok č. 10 / oblasť č. 2) do kolíkovej zásuvky na výduchu motora (Obrázok č. 10 / oblasť č.1). Potom zľahka ohnite klapku, aby ste vložili druhý kolík na klapku a druhý kolík vložte do jeho zásuvky (Obrázok č. 10).

Ak sa chystáte použiť plastový komínový adaptér Ø 120/150 mm, pripojte jeden koniec rúrky k tomuto adaptéru, ak ho nebudete

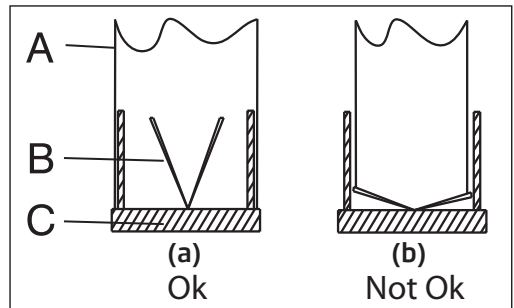
používať, k priamemu výstupu na produkte. Pripojte druhý koniec rúry k vášmu komínu. Skontrolujte, či sú tieto dve spoje dostatočne pevné, aby sa nevysunuli, keď bude prístroj prevádzkovaný na plný výkon. Pri dotiahnutí svorkou sa uistite, že klapky vo vnútri komína fungujú. Pripojte potrubie pre odvod pár mimo adaptér (Obrázok 11/a). Ak je spojovací kanál namontovaný vo vnútri adaptéra, nesmie dôjsť k nasávaniu vzduchu, pretože komínová klapka, ktorá bráni spätnému toku vzduchu, zostane zatvorená (obrázok 11/b). Dĺžka spojenia rúr, ako aj počet kolien musí byť čo najmenší.

A: Výstupná rúra pre odvod pár

B: Komínové svorky

C: Plastový vzduchovod

Keď sú ventily zatvorené, potom prístroj nefunguje a zabraňuje vniknutiu vonkajšieho pachu a prachu.



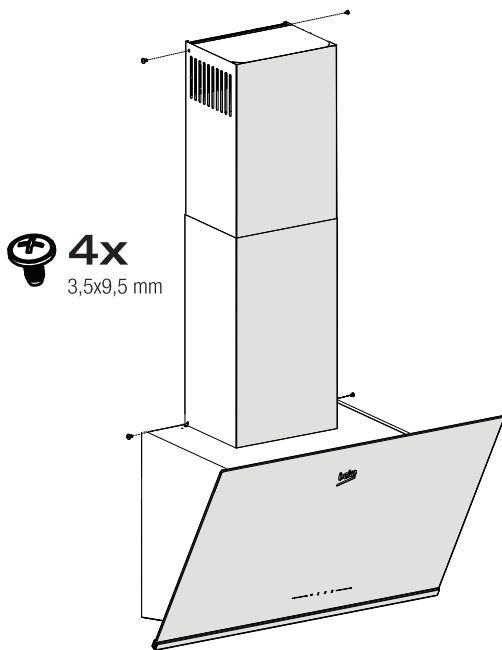
(Obrázok č. 11)

5 Inštalácia Spotrebiča

5.5 Inštalácia odsávača do komína

Pred začatím inštalácie komína vykonajte elektrické pripojenie odsávača pár. Nasuňte komínové platne okolo tela odsávača. Zaskrutkujte komín na platne na upevnenie komína, ktoré sú k dispozícii v skrinke motora. (Obrázok č. 12).

Nainštalujte komín na dosku na upevnenie komína, ktorá je pripevnená k stene z jej horných vonkajších okrajov (Obrázok č. 12).

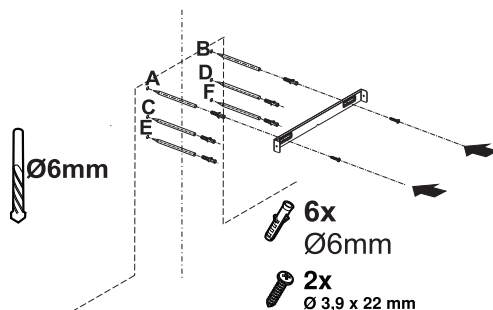


(Obr. č. 12)

5.6 Inštalácia vzduchovej clony

(BHCA 64640 BH - BHCA 94640 BH - BHCA 94640 WH)

Počas používania s uhlíkovým filtrom sa so zariadením dodáva vzduchová clona s cieľom opätovne uvoľniť vzduch, ktorý sa čistí uhlíkovým filtrom, z perforovaného otvoru umiestneného na komíne. Zostavte usmerňovač vzduchu ako je uvedené nižšie.



(Obr. č. 13)

Uprostred dosky na pripojenie komína sa nachádza jazýček. Umiestnite stredný bod tejto úchytky na čiaru, ktorá je nakreslená kolmo na stenu. Zarovnajte vodorovne a označte otvory, na ktoré sa pripojovacia platňa pripevní pomocou pera (Obrázok 13 / A, B).

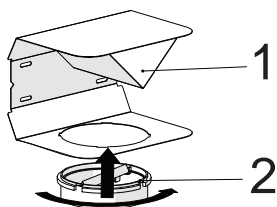
Vyvrátajte označené body vrtákom Ø6mm a do vyvrátaných otvorov vložte dve plastové hmoždinky Ø6mm (obrázok 13 / A, B).

Dosku na pripojenie komína pripevnite na stenu pomocou skrutiek 3,9x22 (obrázok 13 / A, B).

Pri montáži vzduchovej priehradky vyvrátajte body C, D, E, F vrtákom Ø6 mm a vložte plastové hmoždinky Ø6 mm (obrázok č. 13).

Zostavte telo odsávača pár (Strana 14 / Obrázok č. 9).

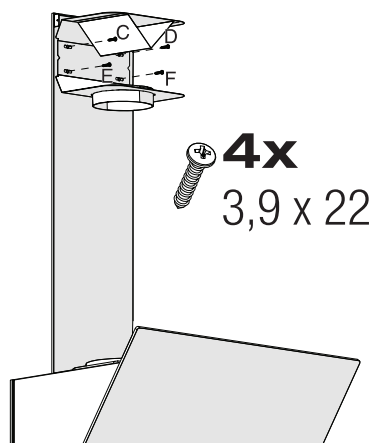
5 Inštalácia Spotrebiča



(Obrázok č. 14)

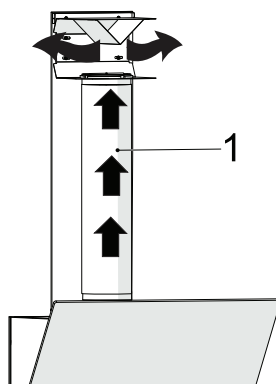
- 1 - vzduchová clona
- 2 - plastový komín

Pripojte plastový komínový adaptér, ktorý je súčasťou balenia, v smere k usmerňovaču vzduchu. Adaptér komína zaistíte jeho otočením v smere šípky (Obrázok 14).



(Obr. č. 15)

Zostavte skupinu usmerňovačov vzduchu s 3,9 x 22 skrutkami z bodov C, D, E, F, ktoré ste už pripravili (obrázok 15).



(Obr. č. 16)

1 - Hliníková výstupná trubica vzduchu
Vytvorte zostavu potrubia na výstup vzduchu (Obrázok č. 16).



Zvraty a ohyby hliníkovej rúry budú mať za následok zníženie výkonu nasávania vzduchu, vyhnite sa používaniu krútení a ohýbaní, ako je to len možné.

Namontujte komínové dosky odsávača pár (Strana 14 / Obrázok č. 9).

6 Riešenie problémov

Riešenie problémov	Príčina	Pomoc
Zariadenie nefunguje.	Skontrolujte svoje poistky.	Poistka môže byť vypálená, skontrolujte a obnovte ju.
Zariadenie nefunguje.	Skontrolujte elektrické pripojenie.	Sieťové napätie musí byť medzi 220 a 240 V.
Zariadenie nefunguje.	Skontrolujte elektrické pripojenie.	Skontrolujte, či vo vašej kuchyni funguje iný spotrebič.
Osvetľovacie svetlo nefunguje.	Skontrolujte elektrické pripojenie.	Sieťové napätie musí byť medzi 220 a 240 V.
Osvetľovacie svetlo nefunguje.	Skontrolujte spínač žiarovky.	Prepínač lampy musí byť v polohe "zapnuté".
Osvetľovacie svetlo nefunguje.	Skontrolujte žiarovky.	Svietidlá zariadenia sa musia rozsvietiť.
Prívod vzduchu do zariadenia nie je dostatočný.	Skontrolujte hliníkový filter.	Za normálnych prevádzkových podmienok sa musí hliníkový olejový filter čistiť najmenej raz za mesiac.
Prívod vzduchu do zariadenia nie je dostatočný.	Skontrolujte odvod spalín.	Komín na odvod vzduchu musí byť v polohe „zapnuté“.
Prívod vzduchu do zariadenia nie je dostatočný.	Skontrolujte uhlíkový filter.	Filtre spotrebičov s uhlíkovými filtrami sa za normálnych podmienok vymieňajú raz za každé 3 mesiace.

Ju lutemi lexoni në fillim këtë udhëzues!





I dashur klient,

Faleminderit që keni zgjedhur një produkt BEKO. Ne duam që të arrini efikasitetin maksimal nga ky produkt i cilësisë së lartë i cili është prodhuar me një teknologji të përparuar. Ju lutemi që para se ta përdorni këtë pajisje, ta lexoni dhe ta kuptoni plotësisht këtë udhëzues dhe dokumentet shoqëruese dhe t'i ruani për t'iu referuar në të ardhmen. Nëse ia jepni këtë pajisje dikujt tjetër, jepini edhe këtë udhëzues bashkë me pajisjen. Kushtojuni vëmendje të gjitha paralajmërimeve dhe informacioneve që ndodhen në këtë manual dhe ndiqni udhëzimet.

Mos harroni se ky udhëzues përdorimi mund të jetë i vlefshëm për disa modele të produktit. Udhëzuesi tregon në mënyrë të qartë çdo ndryshim të modeleve të ndryshme.

Simbolet dhe kuptimi i tyre

Gjatë gjithë këtij udhëzuesi janë përdorur këto simbole:

	Informacione të rëndësishme dhe rekomandime për përdorimin e pajisjes.
	KUJDES: Paralajmërime për lëndime personale ose dëme ndaj pronës.
	Paralajmërim për goditje elektrike,
	Paralajmërim për rrezik zjarri.



Ky produkt është prodhuar në struktura moderne që respektojnë mjedisin pa e dëmtuar natyrën.

Është në përputhje me rregulloret WEEE.



Nuk përmban PCB.

1 Udhëzime të rëndësishme për sigurinë dhe mjedisin

1.1 Siguria e përgjithshme

Udhëzime të rëndësishme për sigurinë. Lexojini me kujdes dhe mbajini për referencë në të ardhmen. Në këtë pjesë përfshihen udhëzimet për sigurinë që do t'ju ndihmojnë të mbroheni nga rreziku i zjarrit, goditjes elektrike, ekspozimit ndaj rrjedhjeve të energjisë së mikrovalëve, lëndimeve personale ose dëmtimeve të pronës. Mosrespektimi i këtyre udhëzimeve do ta bëjë të pavlefshme garancinë.

- Produktet Beko janë në përputhje me standardet përkatëse të sigurisë; për këtë arsye, në rast dëmtimi të pajisjes ose të kablos elektrike, ajo duhet të riparohet ose të zëvendësohet nga shitësi, qendra e shërbimit ose një specialist dhe shërbim i autorizuar i ngjashëm për të shmangur çdo rrezik. Riparimet e gabuara ose të pakualifikuara mund të jenë të rrezikshme dhe të shkaktojnë rrezik për përdoruesin.
- Kjo pajisje është planifikuar të përdoret në shtëpi dhe në aktivitete të ngjashme si p.sh.:
 - Zonat e kuzhinës së personelit në dyqane, zyra dhe ambiente të tjera pune;
 - Shtëpi në ferma
 - Nga klientët në hotele dhe ambiente të tjera banimi;
 - Ambiente të tipit të moteleve.
- Përdoreni këtë pajisje vetëm për qëllimin e planifikuar siç përshkruhet në këtë manual.
- Prodhuesi nuk mund të mbajë përgjegjësi për dëmtimet që shkaktohen nga instalimi i gabuar ose keqpërdorimi i produktit.
- Kjo pajisje mund të përdoret nga fëmijë të moshës 8 vjeç e lart dhe personat me aftësi më të ulëta fizike, ndjesore ose mendore ose me mungesë përvoje dhe njohurish nëse u janë dhënë udhëzime ose janë monitoruar në lidhje me përdorimin e pajisjes në një mënyrë të sigurt dhe i kuptojnë rreziqet që përfshihen.
- Fëmijët nuk duhet të lejohen që të luajnë me pajisjen. Pastrimi dhe mirëmbajtja e përdoruesit nuk duhet bërë nga fëmijë pa mbikëqyrje.
- Distanca minimale mes sipërfaqes mbështetëse për enët e gatimit në vatrën e gatimit dhe pjesës më të poshtme të produktit tuaj duhet të jetë të paktën 65 cm.
- Nëse udhëzimet për instalimin për vatrën e gazit specifikojnë një distancë më të madhe, kjo duhet të merret parasysh.
- Sigurohuni që furnizimi me energji nga rrjeti elektrik është në përputhje me informacionet e dhëna në tabelën e karakteristikave të pajisjes.
- Mos e përdorni asnjëherë pajisjen nëse kabloja elektrike ose vetë pajisja është e dëmtuar.
- Parandaloni dëmtimin e kablos elektrike duke mos e shtypur, përkulur ose prekur në

1 Udhëzime të rëndësishme për sigurinë dhe mjedisin

cepa të mprehtë. Mbajeni kabllon elektrike larg nga sipërfaqet e nxehta dhe flakët e pambrojtura.

- Përdoreni pajisjen vetëm me një prizë me tokëzim.

PARALAJMËRIM: Mos e lidhni pajisjen me rrjetin elektrik deri sa instalimi të ketë përfunduar plotësisht.

- Vendoseni pajisjen në një mënyrë të tillë që spina të jetë gjithmonë lehtësisht e arritshme.
- Mos i prekni llambat nëse janë përdorur për një kohë të gjatë. Ato mund t'ju djegin duart nëse nxehen.
- Ndiqni rregullat e përcaktuara nga autoritetet kompetente për shkarkimin e ajrit të papastër (ky paralajmërim nuk është i vlefshëm për përdorim pa tuba).
- Përdoreni pajisjen pasi të vendosni një tenxhere, tigan etj. në vatrën e gatimit. Në rast të kundërt, nxehtësia e lartë mund të shkaktojë deformime në disa pjesë të produktit tuaj.
- Fikeni vatrën e gatimit para se ta hiqni tenxheren, tiganin etj. nga ajo.
- Mos lini vaj të nxehtë që vatrën e gatimit. Tiganët me vaj të nxehtë mund të marrin zjarr.
- Tregoni kujdes ndaj perdeve dhe mbulesave pasi vaji mund të marrë zjarr gjatë gatimit të ushqimeve si p.sh. patateve të skuqura.
- Filtri i yndyrës duhet të ndërrohet të paktën

çdo muaj. Filtri i karbonit duhet të ndërrohet të paktën çdo 3 muaj.

- Produkti duhet të pastrohet në përputhje me manualin e përdorimit. Nëse pastrimi nuk kryhet në përputhje me manualin e përdorimit, ekziston rreziku i zjarrit.
- Mos përdorni materiale filtrimi që nuk janë rezistente ndaj zjarrit në vend të filtrit aktual.
- Përdorni vetëm pjesë origjinale ose pjesë të rekomanduara nga prodhuesi.
- Mos e përdorni produktin pa filtrin dhe mos i hiqni filtrat kur produkti është në përdorim.
- Në rast se ndizen flakë, shkëputeni produktin nga rrjeti elektrik dhe pajisjet e gatimit.
- Në rast se ndizen flakë, mbulojini flakët dhe mos përdorni asnjëherë ujë për fikjen e tyre.
- Hiqeni pajisjen nga priza para pastrimit dhe kur pajisja nuk është në përdorim.
- Presioni negativ në ambient nuk duhet të kalojë 4 Pa (4 x 10 bar) kur përdoren njëkohësisht aspiratori për vatrën elektrike dhe pajisje që funksionojnë me një lloj tjetër energjie.
- Në ambientin ku përdoret pajisja, ajri i shkarkimit i pajisjeve që punojnë me karburant ose gaz, si p.sh. ngrohësit e dhomës, duhet të izolohet në mënyrë absolute ose pajisja duhet të jetë e tipit

1 Udhëzime të rëndësishme për sigurinë dhe mjedisin

hermetik.

- Kur lidhni tubat, përdorni tuba me diametër 120 ose 150 mm. Lidhja e tubave duhet të jetë sa më e shkurtër dhe me sa më pak bërryla.

Rrezik mbytje! Mbajini të gjitha materialet e paketimit larg fëmijëve.

KUJDES: Pjesët e arritshme mund të jenë të nxehta kur përdoren me pajisjet e gatimit.

- Shkarkimi i produktit nuk duhet të lidhet me kanale ajri që përfshijnë tymra të tjerë.
- Ajrimi në dhomë mund të mos jetë i mjaftueshëm kur aspiratori për vatrën elektrike përdoret në të njëjtën kohë me pajisje që funksionojnë me gaz ose karburante të tjera (kjo mund të mos jetë e vlefshme për pajisjet që e nxjerrin ajrin përsëri vetëm në dhomë).
- Objektet e vendosura mbi produkt mund të bien. Mos vendosni objekte mbi produkt.
- Mos ndizni flakë gjatë gatimit nën produkt.

PARALAJMËRIM: Para se të instaloni aspiratorin, hiqni shtresat mbrojtëse.

- Mos lini asnjëherë flakë të hapura të larta nën aspirator kur ai është në funksionim.
- Fritezat duhet të monitorohen vazhdimisht gjatë përdorimit: vaji i nxehur shumë mund të shpërthejë në flakë.

1.2 Përputhja me direktivën WEEE dhe hedhja e produktit pas përdorimit

Ky produkt është në përputhje me direktivën WEEE të BE-së (2012/19/EU). Ky produkt ka një simbol klasifikimi

për pajisjet e përdorura elektrike dhe elektronike (WEEE).



Ky simbol tregon se ky produkt nuk duhet të hidhet me mbeturinat e tjera të shtëpisë në fund të kohëzgjatjes së shërbimit. Pajisja e përdorura duhet të kthehet te pika zyrtare e grumbullimit për riciklimin e pajisjeve elektrike dhe elektronike. Për t'i gjetur këto sisteme grumbullimi, kontaktoni me autoritetet lokale ose me shitësin ku e keni blerë produktin. Çdo shtëpi ka një rol të rëndësishëm

në rikuperimin dhe riciklimin e pajisjeve të vjetra. Hedhja e pajisjes së përdorur në mënyrën e duhur ndihmon për të parandaluar pasoja të mundshme negative për mjedisin dhe shëndetin e njeriut.

1.3 Përputhja me direktivën RoHS

Produkti që keni blerë është në përputhje me direktivën RoHS të BE-së (2011/65/EU). Nuk përmban

materiale të dëmshme dhe të ndaluara të specifikuar në direktivë.

1 Udhëzime të rëndësishme për sigurinë dhe mjedisin

1.4 Informacionet për paketimin

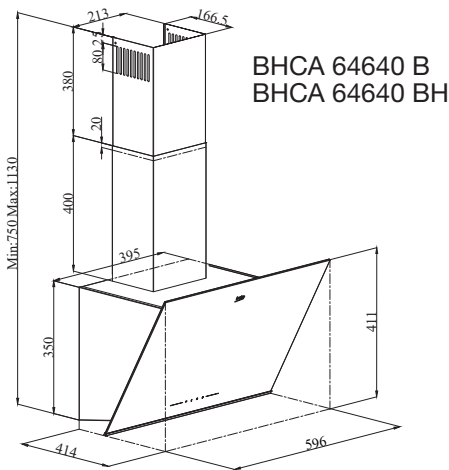


Materialet e paketimit të produktit janë prodhuar nga materiale të riciklueshme në përputhje me

rregulloret tona kombëtare për mjedisin. Mos i hidhni materialet e paketimit bashkë me mbeturinat e shtëpisë ose mbeturina të tjera. Dërgojini ato te pikat e grumbullimit të materialeve të paketimit të përcaktuara nga autoritetet lokale.

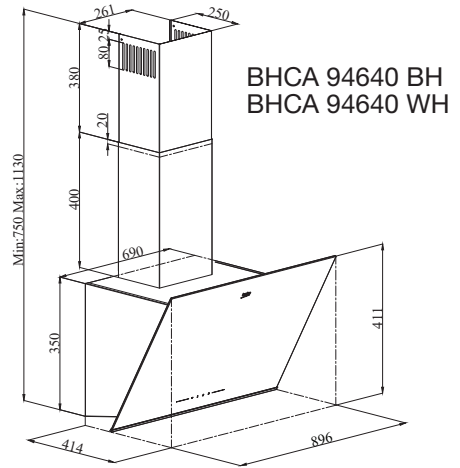
2 Pamja e përgjithshme

2.1 Përmbledhje



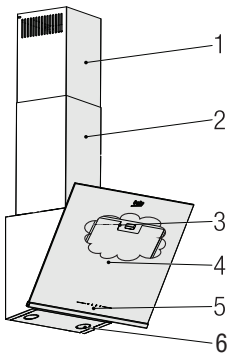
BHCA 64640 B
BHCA 64640 BH

(Figura 1).



BHCA 94640 BH
BHCA 94640 WH

(Figura 2)



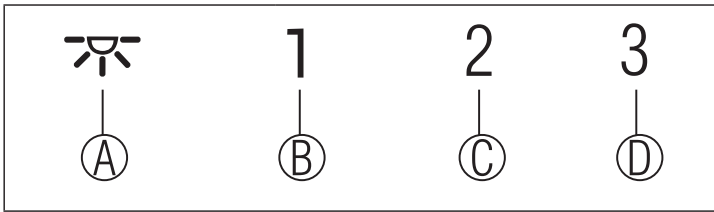
1. OXHAKU I BRENDSHËM
2. OXHAKU I JASHTËM
3. FILTRAT ANTI-YNDYRË PREJ ALUMINI
(Prapa mbulesës prej xhami)
4. Mbulesa prej xhami
5. Paneli i kontrollit
6. Llamba

2.2 Të dhëna teknike

Modeli	BHCA 64640 B BHCA 64640 BH	BHCA 94640 BH BHCA 94640 WH
Voltazhi	220-240V ~ 50 Hz	
Fuqia e llambës	2 x 3 W	
Fuqia e motorit	210 W	
Sasia e thithjes (m ³ /h) – 3. Niveli	631 m ³ /h	623 m ³ /h
Klasa e izolimit të motorit	Klasa F	
Klasa e izolimit	Klasa I	

3 Përdorimi i pajisjes

3.1 Kontrolli i pajisjes



BUTONI	FUNKSIONI
(A) : Drita ndezur / fikur	Mund të ndriçoni sipërfaqen e gatimit duke shtypur këtë buton. Rishtypni butonin për të fikur llambën.
(B) : 1. Butoni i fazës	Operon pajisjen në shpejtësinë e 1-rë. Kur ju shtypni këtë buton përsëri për të fikur pajisjen, ekrani i fazës së shpejtësisë fiket.
(C) : 2. Butoni i fazës	Operon pajisjen në shpejtësinë e 2-të. Kur ju shtypni këtë buton përsëri për të fikur pajisjen, ekrani i fazës së shpejtësisë fiket.
(D) : Butoni i fazës së 3-të	Operon pajisjen në shpejtësinë e 3-të. Kur ju shtypni këtë buton përsëri për të fikur pajisjen, ekrani i fazës së shpejtësisë fiket.

3.2 Përdorim efikas i energjisë për sa i përket kursimit të energjisë

Përdorimi

- Kur përdorni pajisjen, rregulloni parametrat e shpejtësisë në përputhje me intensitetin e avullit dhe të aromës, në mënyrë që të kurseni energji.
- Përdorni shpejtësitë e ulëta (1-2) në kushte normale, dhe shpejtësinë e lartë (3) kur ka aroma të forta dhe avull.
- * Llambat në aspirator janë vendosur për të ndriçuar sipërfaqen e gatimit.

Përdorimi i tyre për të ndriçuar ambientin do të shkaktojë shpenzim të panevojshëm të energjisë dhe ndriçim të pamjaftueshëm.

3.3 Udhëzimet e përdorimit

- Pajisja juaj ka një motor me shpejtësi të ndryshme.
- Për një performancë më të mirë, rekomandojmë të përdorni shpejtësitë e

ulëta në kushte normale dhe shpejtësitë e larta në rastin kur ka aroma të forta dhe shumë avull.

- Mund ta ndizni pajisjen duke shtypur butonin e parametrit të shpejtësisë së dëshiruar. (B, C, D)
- Mund të ndriçoni sipërfaqen e gatimit duke shtypur llambën (A).

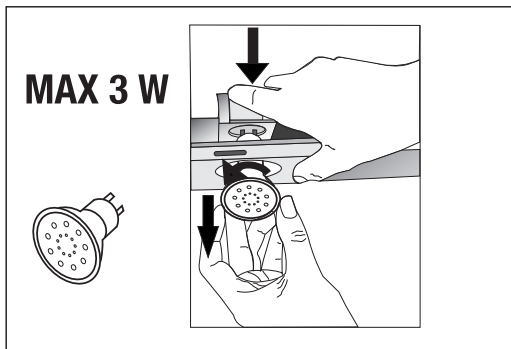
3.4 Ndalja automatike

Pajisja juaj ka veçorinë e Ndaljes automatike, e cila mundëson të ajroset ambienti edhe pak më shumë dhe të hiqen erërat e padëshiruara dhe avulli brenda ambientit e të fiket automatikisht pasi gatimi ka përfunduar. Për të aktivizuar veçorinë e Ndaljes automatike, shtypni çdo buton të fazës së shpejtësisë (B, C, D) te paneli i kontrollit për më shumë se 2 sekonda; funksioni i kohëmatësit prej 15-minutash do të aktivizohet. Kur veçoria e ndaljes automatike është aktive, shtypja e të njëjtit buton të shpejtësisë do të çaktivizojë funksionin e ndaljes automatike dhe motori i

3 Përdorimi i pajisjes

pajisjes do të ndalojë. Kjo veçori çaktivizohet kur kaloni në faza të ndryshme të shpejtësisë. Nëse dëshironi që pajisja të ndalet automatikisht, duhet të aktivizoni përsëri veçorinë e ndaljes automatike.

3.5 Ndërrimi i llambës

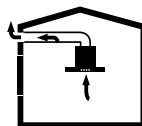


(Figura 3)

Bëni lidhjet elektrike të pajisjes. Pajisja juaj përdor llambë spot LED 3W. Për të ndërruar llambat, shtypeni poshtë mbajtësen nga prapa, rrotullojeni në drejtim të kundërt me akrepat e orës dhe tërhiqeni poshtë. Kryeni të njëjtat veprime nga ana e kundërt për të montuar llambat e reja (Figura 3).

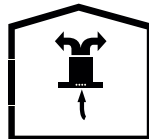
Llamba	
Fuqia e llambës (W)	3
Mbajtësja / Foleja	GZ 10
Voltazhi i llambës (V)	220 - 240
Madhësia (mm)	53 x 50
Kodi ILCOS	DR/F3-220-240-GZ10-50-53

3.6 Përdorimi me oxhak



- Avulli nxirret nëpërmjet tubit të oxhakut, i cili është mbërthyer te koka bashkuese në aspirator.
- Diametri i tubit të oxhakut duhet të jetë i njëjtë me unazën bashkuese. Kur është i vendosur horizontalisht, tubi duhet të ketë një pjerrësi pakëz të ngritur (rreth 10°) në mënyrë që ajri të dalë lehtë nga dhoma.

3.7 Përdorimi pa oxhak



- Ajri filtrohet nëpërmjet filtrit prej karboni dhe riqarkullohet në dhomë. Filtri prej karboni përdoret kur është e pamundur të përdoret një oxhak në shtëpi.
- Në përdorimin pa oxhak, hiqni fletët brenda reduktorit të oxhakut.
- Hiqni filtrin anti-yndyrë. Për të montuar filtrin prej karboni, puthiteni filtrin te gjuhëzat duke e e vënë në qendër të pjesës plastike në lidhje me të dyja anët e trupit të ventilatorit. Shtrengojeni duke e rrotulluar djathtas ose majtas.
- Rivendosni filtrin anti-yndyrë prej alumini.

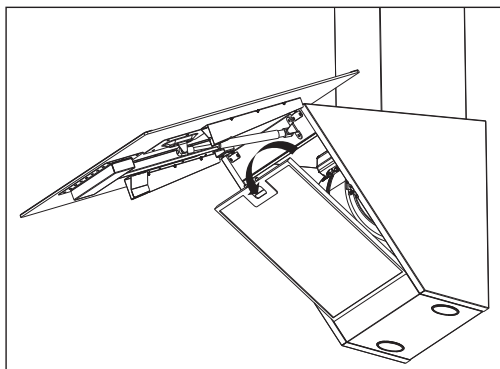
4 Pastrimi dhe mirëmbajtja



Para pastrimit dhe mirëmbajtjes, hiqni produktin nga priza ose fikni çelësin.

4.1 Pastrimi i filtrit anti-yndyrë prej alumini

Filtri mbledh grimcat e yndyrëve që janë në ajër. Filtrat anti-yndyrë prej alumini mund të ndryshojnë ngjyrë kur lahen; kjo është normale dhe nuk kërkon që t'i ndërroni filtrat anti-yndyrë prej alumini.



(Figura 4)

- Shtyni para mbërtheckën e filtrit anti-yndyrë prej alumini.
- Pastaj tërhiqeni pak poshtë dhe nxirreni jashtë (Figura 4). Në të kundërt, mund ta shtrembëroni filtrin. Lani dhe shpëlani filtrat anti-yndyrë prej alumini me detergjent të lëngshëm dhe rivendosni filtrat anti-yndyrë prej alumini në foletë e tyre duke ndjekur hapat e specifikuar më sipër në radhën e kundërt. Filtri mbledh grimcat e yndyrëve që janë në ajër.



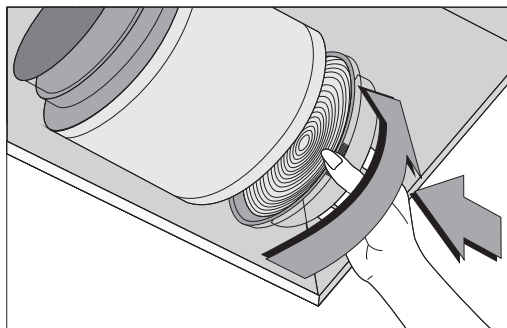
Nëse doni mund t'i lani filtrat anti-yndyrë prej alumini në pjatlarëse.



KUJDES
Në rast përdorimi normal, pastrojeni filtrin një herë në muaj.

4.2 Ndërrimi i filtrave prej karboni

Filtrat për heqjen e erërave përmbajnë qymyr druri (Karbon aktiv). Filtrat anti-yndyrë duhen montuar në produkt, pavarësisht nëse përdoren apo jo filtrat prej karboni.



(Fig. 5)

- Hiqni filtrin anti-yndyrë prej alumini (Figura 4).
- Për të hequr filtrin prej karboni, hiqni filtrin prej karboni nga foleja e tij duke e rrotulluar në krahun e kundërt të akrepave të orës për ta nxjerrë nga gjuhëzat (Figura 5).
- Montoni filtrin e ri prej karboni.
- Montoni filtrin anti-yndyrë prej alumini.



KUJDES

Filtri prej karboni nuk duhet të lahet kurrë.



KUJDES

Ndërroni filtrat prej karboni një herë në 3 muaj.



KUJDES

Mund ta gjeni filtrin prej karboni te serviset e autorizuara.

5 Montimi i pajisjes



KUJDES!

Para se të filloni montimin, lexoni informacionet për sigurinë në Manualin e Përdorimit.

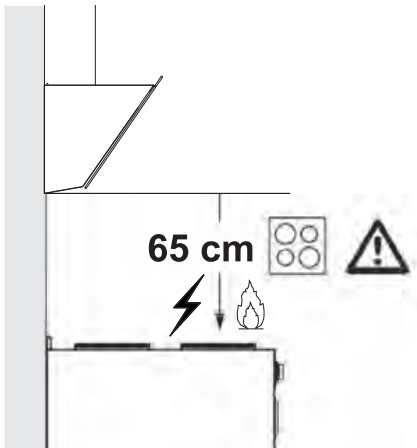


KUJDES!

Nëse pajisja nuk montohet me vida dhe bulona në përputhje me këto udhëzime, kjo mund të rezultojë në goditje elektrike.

Për montimin e aspiratorit, ju lutemi kontaktoni Servisin e Autorizuar më të afërt. Është përgjegjësia e klientit të përgatitë vendndodhjen dhe montimin elektrik të aspiratorit.

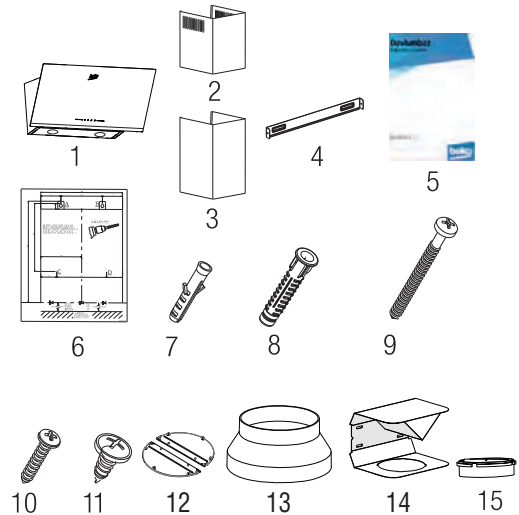
5.1 Pozicioni i pajisjes



(Figura 6)

- Distanca midis sobës dhe aspiratorit të kuzhinës duhet të merret parasysh para montimit. Distanca duhet të jetë 65 cm (Figura 6).
- Distanca duhet matur nga sipërfaqja e skarës për sobat me gaz,
- Nga sipërfaqja e xhamit për sobat elektrike.

5.2 Aksesorët e montimit



1. Produkti
2. OXHAKU i brendshëm
3. OXHAKU i jashtëm
4. Pllaka bashkuese e oxhakut
5. Manuali i përdorimit
6. Shablioni i montimit
7. 2x Ø6mm upa plastike
8. 4x upa plastike Ø8mm
9. 4x vida muri 4.8x50
10. 2x vida për pllakën bashkuese të oxhakut 3.9x22
11. vida për oxhakun 4x 3.5x9.5
12. Mbërtheckë për oxhakun
13. Reduktor plastik për oxhakun 150/120mm
14. Diafragma e ajrit
15. Adaptorin plastik (elementi i shmangies së ajrit)

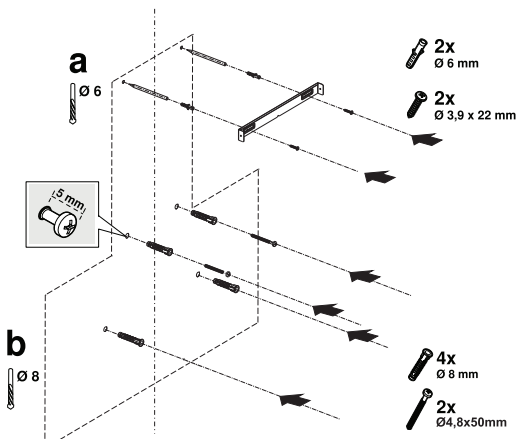
Informacionet që nevojiten për ta bërë vendin të përshtatshëm për montimin e aspiratorit jepen më poshtë.

5.3 Montimi në mur

- Muri duhet të jetë i sheshtë, i drejtë dhe të ketë aftësi mbajtëse të mjaftueshme.

5 Montimi i pajisjes

- Thellësia e vrimave që do të shpohen duhet të përputhet me gjatësinë e bulonave.
- Bulonat dhe upat e siguruara janë të përshtatshme për muret me tulla. Për materiale të tjera ndërtimi (p.sh. karton gips, veshje metalike, beton poroz), duhen përdorur upa dhe vida të përshtatshme.



(Figura 7)

KUJDES

Para se të hapni vrimat, sigurohuni që pranë vendit ku do të shpohet me trapan të mos ketë tuba korrenti, gazi ose uji.

Vizatoni një vijë në mes të vendndodhjes së aspiratorit nga tavani pingul me skajin e poshtëm të aspiratorit ().

Ngjitni shabllonin e montimit të dhënë bashkë me aksesorët te sipërfaqja ku do të montohet aspiratori. Gjatë këtij veprimi, kushtojini vëmendje lartësisë së montimit të aspiratorit (Faqja 12 / Figura 6).

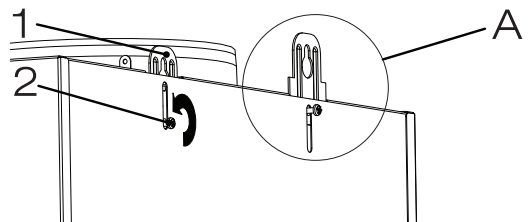
Ka një gjuhëz në mes të pllakës bashkuese të oxhakut. Vendoseni mesin e kësaj gjuhëze te vija që është vizatuar pingul në mur. Gjatë këtij veprimi, rregullojeni

aspiratorin në përputhje me lartësinë maksimale (Faqja 8 / Figura 1). Me një stilolaps shënoni vrimat ku do të montohet pllaka bashkuese e oxhakut (Figura 7/a).

Hapni vrimat te vendet e shënuara me punto $\varnothing 6\text{mm}$ dhe futni 2 upa plastike te vrimat e hapura (Figura 7/a). Fiksoni në mur pllakën bashkuese të oxhakut me vidat 3,9x22 (Figura 7/a).

Për të montuar trupin e aspiratorit, mund të përdorni puntot $\varnothing 8\text{mm}$ për të hapur vrima në pikat A, B, C, D të shabllonit të montimit dhe në këto pika futni upat plastike 4.8x50mm. (Figura 7/b).

2 copë vida mbajtëse 4.8x50 me një hapësirë 5 mm midis kokës së vidës dhe murit (Figura 7/b).



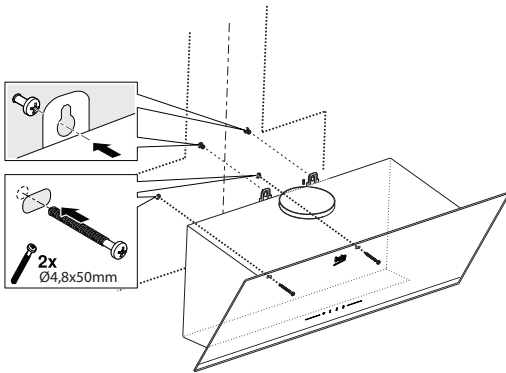
(Figura 8)

1. Pllakëz mbajtëse
2. Vidë për pllakëzën mbajtëse

Për ta montuar aspiratorin në mur, lironi vidat te pllakëzat mbajtëse montuar te kabina e motorit dhe hiqini, pastaj mbërthejini përsëri (Figura 8 / A).

Ngrini xhamin e aspiratorit dhe hiqni filtrin anti-yndyrë prej alumini (Faqja 11 / Figura 4).

5 Montimi i pajisjes

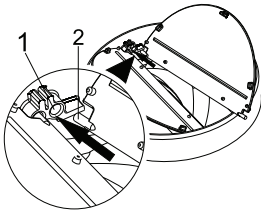


(Figura 9)

Mbajeni aspiratorin e kuzhinës te trupi i tij dhe vendoseni te vidat e montimit në mur dhe shtrëngojini vidat (Figura 9).

Fiksojeni e kuzhinës në mur me dy vida 4.8x50 nga vrimat e montimit që gjenden në anën e brendshme të pajisjes (Figura 9).

5.4 Lidhja me oxhakun



(Figura 10)

- 1- Foleja e kunjit të fletës
- 2- Kunji i fletës

Futni kunjin plastik (Figura 10 / zona nr. 2) te foleja e kunjit në tubin shkarkues të motorit (Figure 10 / zona nr.1). Pastaj përkuleni pak fletën për të futur kunjin tjetër të fletës dhe futeni kunjin tjetër në folenë e vet (Figura 10).

Nëse do të përdorni reduktorin plastik të oxhakut Ø 120/150 mm, lidhni njërin skaj të tubit me këtë reduktor, nëse nuk do ta përdorni, drejtpërdrejt te gryka dalëse e produktit. Lidhni

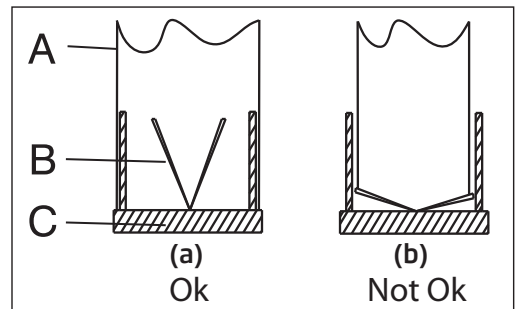
anën tjetër të tubit me oxhakun. Kontrolloni që këto dy lidhje të jenë shtrënguar mjaftueshëm që të mos dalin nga vendi kur pajisja të punojë me tërë fuqinë. Sigurohuni që fletët brenda oxhakut të punojnë pas fiksimit me mbërtheckë. Lidhni tubin bashkues me oxhakun nga ana e jashtme e reduktorit (Figura 11/a). Nëse tubi bashkues vendoset brenda reduktorit, nuk do të thithet ajri pasi fletët e oxhakut që pengojnë rikthimin e ajrit do të qëndrojnë të mbyllura (Figura 11 / b). Gjatësia e tubit bashkues si edhe numri i bërthylave duhet të jenë sa më minimale.

A : Tubi dalës i oxhakut

B : Fletët e oxhakut

C: Reduktori plastik

Valvulat mbyllen kur pajisja nuk punon dhe pengon që erërat dhe pluhurat nga jashtë të mos hyjnë brenda.



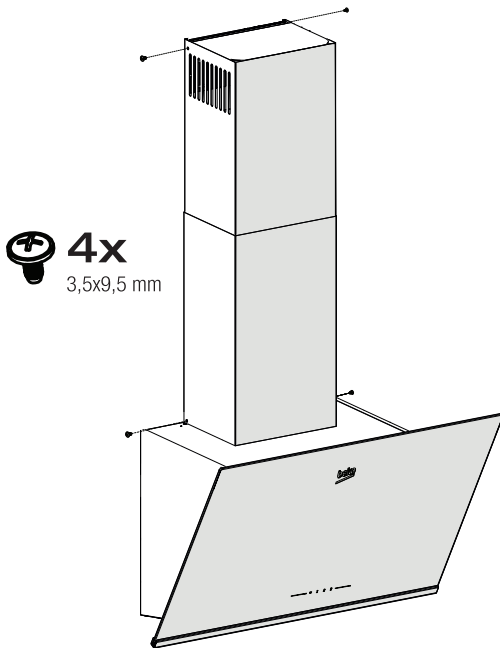
(Figura 11)

5 Montimi i pajisjes

5.5 Montimi i aspiratorit me oxhakun

Bëni lidhjen elektrike të aspiratorit para se të filloni montimin e oxhakut. Hiqini pllakëzat e oxhakut që janë përreth trupit duke i rrëshqitur. Mbërthejeni me vida oxhakun te pllakëzat mbajtëse të oxhakut që ndodhen në kabinën e motorit. (Figura 12).

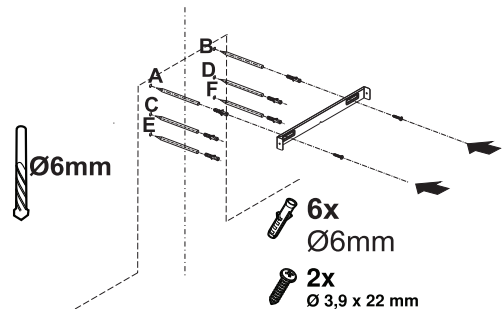
Montojeni oxhakun te pllaka bashkuese e oxhakut që është mbërthyer në mur duke e vendosur nga cepat e tij të jashtëm që ndodhen sipër (Figura 12).



(Fig. 12)

5.6 Montimi i diafragmës së ajrit

Kur përdoret filtri prej karboni, bashkë me pajisjen ju jepet edhe një diafragmë ajri me qëllimin për të rinxjerrë ajrin që pastrohet nga filtri prej karboni nga e çara që ndodhet në oxhak. Montojeni diafragmën e ajrit si më poshtë.



(Fig. 13)

Ka një gjuhëzë në mes të pllakës bashkuese të oxhakut. Vendoseni mesin e kësaj gjuhëze te vija që është vizatuar pingul në mur. Drejtojeni horizontalisht dhe shënوني me stilolaps vrimat ku do të montohet pllaka bashkuese (Figura 13 / A, B).

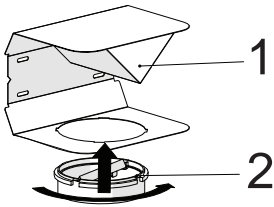
Hapni vrimat te vendet e shënuara me punto Ø6mm dhe futni dy upa plastike Ø6mm te vrimat e hapura (Figura 13/A, B).

Fiksoni në mur pllakën bashkuese të oxhakut me vidat 3.9x22. (Figura 13/ A, B).

Për të montuar diafragmën e ajrit, hapni vrima në pikat C, D, E, F me punto Ø6mm dhe futni duke goditur lehtë upat plastike Ø6mm (Figura 13).

Montoni trupin e aspiratorit të kuzhinës (Faqa 14 / Figura 9).

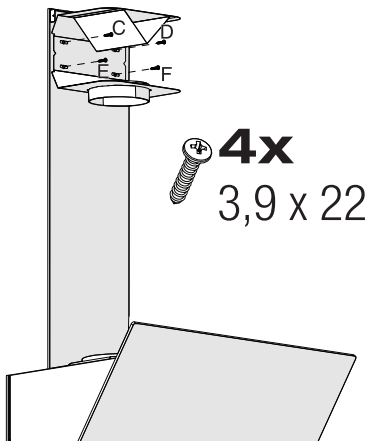
5 Montimi i pajisjes



(Figura 14)

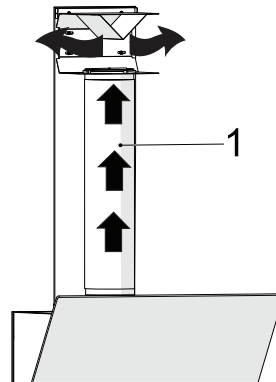
- 1- Diafragma e ajrit
- 2- Reduktori plastik

Futeni reduktorin plastik të oxhakut, i cili përfshihet në paketim, në drejtim të diafragmës së ajrit. Bllokoheni reduktorin plastik duke e rrotulluar në drejtim të shigjetës (Figura 14).



(Fig. 15)

Montojeni grupin e diafragmës së ajrit me vidat 3.9 x 22 në pikat C, D, E, F që keni përgatitur tashmë (Figura 15).



(Fig. 16)

- 1- Tubi shkarkues i ajrit prej alumini
- Bëni montimin e tubit shkarkues të ajrit (Figura 16).



Meqë përdredhjet dhe përkuljet e tubit të aluminit do të bëjnë që të reduktohet fuqia e thithjes së ajrit, shmangini sa më shumë këto përdredhje dhe përkulje.

Montoni pllakat mbajtëse të aspiratorit (Faqja 14 / Figura 9)

6 Zgjidhja e problemeve

Zgjidhja e problemeve	Shkaku	Ndihma
Pajisja nuk punon.	Kontrolloni siguresat.	Siguresa mund të ketë plasur, kontrollojeni dhe ndërrojeni.
Pajisja nuk punon.	Kontrolloni lidhjen elektrike.	Voltazhi kryesor duhet të jetë nga 220 deri në 240 V.
Pajisja nuk punon.	Kontrolloni lidhjen elektrike.	Kontrolloni nëse punojnë pajisjet e tjera në kuzhinë.
Drita ndriçuese nuk punon.	Kontrolloni lidhjen elektrike.	Voltazhi kryesor duhet të jetë nga 220 deri në 240 V.
Drita ndriçuese nuk punon.	Kontrolloni çelësin e llambës.	Çelësi i llambës duhet të jetë në pozicionin "ndezur".
Drita ndriçuese nuk punon.	Kontrolloni llambat	Llambat e pajisjes duhet të ndriçojnë.
Sasia e ajrit që futet në pajisje është e papërshtatshme.	Kontrolloni filtrin prej alumini.	Nën kushte normale pune, filtri anti-yndyrë prej alumini duhet pastruar të paktën një herë në muaj.
Sasia e ajrit që futet në pajisje është e papërshtatshme.	Kontrolloni tubin e shkarkimit të ajrit.	Tubi i shkarkimit të ajrit duhet të jetë në pozicionin "hapur" .
Sasia e ajrit që futet në pajisje është e papërshtatshme.	Kontrolloni filtrin prej karboni.	Filtrat e pajisjeve me filtra karboni duhen ndërruar një herë në 3 muaj në kushte normale.

Nejprve si prosím přečtete tuto příručku!

Vážení zákazníci,

děkujeme vám, že jste si zvolili výrobek BEKO. Chtěli bychom, abyste dosáhli optimální účinnosti tohoto vysoce kvalitního výrobku, který byl vyroben pomocí nejmodernějších technologií. Před použitím výrobku si prosím přečtete celou tuto příručku a doplňkovou dokumentaci a uschovejte si je pro pozdější nahlédnutí. Pokud budete výrobek předávat někomu jinému, přiložte k němu i tuto příručku. Dodržujte všechna zde uvedená varování a informace a řiďte se pokyny.

Nezapomínejte, že tato uživatelská příručka se může vztahovat na několik modelů výrobků. Příručka jasně představuje všechny varianty různých modelů.

Symbole a jejich významy

V této příručce jsou použity tyto symboly:



Důležité informace a doporučení týkající se používání spotřebiče.



UPOZORNĚNÍ: Varování týkající se zranění osob nebo poškození majetku.



Varování před úrazem elektrickým proudem.



Varování před rizikem vzniku požáru.



Tento výrobek byl vyroben v moderních výrobních závodech s ohledem na životní prostředí a bez poškození přírody.

1 Důležité bezpečnostní a ekologické pokyny

1.1 Všeobecné bezpečnostní pokyny

Důležité bezpečnostní pokyny. Pozorně si přečtěte a uschovejte pro budoucí použití. Tato část obsahuje bezpečnostní pokyny, které vám pomohou chránit se před rizikem požáru, zásahu elektrickým proudem, vystavení uniklé mikrovlnné energii, zranění osob nebo poškození majetku. Nedodržení těchto pokynů ruší záruku.

- Výrobky Beko splňují platné bezpečnostní normy; Z toho důvodu, pro zabránění vzniku nebezpečí by v případě poškození spotřebiče nebo napájecího kabelu je měl opravit nebo vyměnit prodejce, servisní středisko nebo specializovaný a autorizovaný servis. Chybné nebo nekvalifikované opravy mohou být nebezpečné a mohou představovat riziko pro uživatele.
- Toto zařízení je určeno pro použití v domácnosti a v podobných podmínkách, jako jsou například:
 - Kuchyně pro zaměstnance v obchodech, kancelářích a jiných pracovních prostředích;
 - Farmové domy
 - Pro potřeby zákazníků v hotelech a jiných typech bytových zařízení;
 - V ubytovací zařízení typu bed and breakfast.
- Používejte spotřebič na určený účel pouze tak, jak je to uvedeno v tomto návodu.

- Výrobce neodpovídá za škody způsobené nesprávnou instalací nebo nesprávným použitím produktu.
- Tento spotřebič mohou používat děti ve věku od 8 let a osoby s omezenými fyzickými, smyslovými nebo duševními schopnostmi, nebo nedostatkem zkušeností a znalostí, pokud jsou pod dohledem nebo jim byly dány instrukce týkající se použití přístroje osobou zodpovědnou za jejich bezpečnost.
- Se spotřebičem si nesmí hrát děti. Čištění a údržbu nesmějí provádět děti bez dozoru.
- Minimální vzdálenost mezi podpůrnou plochou pro varné nádoby na varné desce a nejnižší částí vašeho produktu musí být nejméně 65 cm.
- Pokud je v pokynech k instalaci plynové varné desky uvedena větší vzdálenost, musí to zohlednit.
- Ujistěte se, že síťové napájení je ve shodě s informacemi uvedenými na typovém štítku spotřebiče.
- Nikdy nepoužívejte spotřebič, pokud je poškozen napájecí kabel nebo samotný spotřebič.
- Chcete-li zabránit poškození napájecího kabelu, nemačkejte ho, neohýbejte ho ani ho neotírejte na ostrých hranách. Napájecí kabel udržujte mimo dosah horkých povrchů a otevřeného ohně.
- Spotřebič používejte pouze s uzemněnou

zásuvkou.

UPOZORNĚNÍ: Nepřipojujte spotřebič k elektrické síti, dokud není instalace zcela dokončena.

- Spotřebič umístěte tak, aby byla zástrčka vždy přístupná.
- Nedotýkejte se žárovek, pokud byly v provozu delší dobu. Mohou vám spálit ruce, protože budou horké.
- Dodržujte předpisy týkající se vypouštění odpadního vzduchu stanovené příslušnými orgány (toto upozornění se netýká použití bez kouřovodu).
- Svůj spotřebič provozujte po umístění hrnce, pánve atd. na varnou desku. V opačném případě může vysoká teplota způsobit deformaci některých částí vašeho produktu.
- Varnou desku vypněte před odebráním hrnce, pánve atd. z ní.
- Nenechávejte horký olej na varné desce. Pánve s horkým olejem mohou způsobit samovznícení.
- Věnujte pozornost záclonám a příkrývkám, protože při pečení potravin, jako jsou např. hranolky, může olej vznítit.
- Tukový filtr vyměňujte nejméně jednou měsíčně. Uhlíkový filtr vyměňujte nejméně každé 3 měsíce.
- Výrobek vyčistěte v souladu s návodem k použití. Pokud čištění nebylo provedeno v souladu s návodem k použití, může vznik-

nout riziko požáru.

- Namísto aktuálního filtru nepoužívejte ne-ohnivzdorné filtrační materiály.
- Používejte pouze originální díly nebo části doporučené výrobcem.
- Nepoužívejte výrobek bez filtru a nevybírejte filtry, když je produkt v provozu.
- V případě, že dojde ke vznícení jakéhokoliv plamene, vypněte napájení vašeho produktu a kuchyňských spotřebičů.
- V případě vznícení plamene zakryjte plamen a na hašení nikdy nepoužívejte vodu.
- Před každým čištěním a když se zařízení nepoužívá, odpojte jej ze sítě.
- Jestliže digestoř pro elektrické varné desky a spotřebiče běžící na jiný druh energie, jako je elektrická energie pracují současně, podtlak v prostředí nesmí překročit 4 Pa (4 x 10 bar).
- V prostředí, ve kterém se spotřebič používá, musí být kouřové plyny zařízení fungující na topný olej nebo na plyn, jako je například vytápění místností, zcela izolované nebo zařízení musí být hermetického typu.
- Při připojování kouřovodu používejte trubky s průměrem 120 nebo 150 mm. Spojení potrubí musí být co nejkratší a musí mít co nejméně kolen.

Nebezpečí udušení! Všechny obalové materiály uchovávejte mimo dosah dětí.

POZOR: Přístupné části se při použití s kuchyňskými spotřebiči mohou zahřát.

1 Důležité bezpečnostní a ekologické pokyny

- Vývod produktu nesmí být připojen k vzduchovému kanálu, který obsahuje další kouř.
- Pokud se digestoř elektrického varného panelu používá současně se zařízeními pracujícími na plyn nebo na jiná paliva, větrání v místnosti může být nedostatečné (to se nemusí týkat spotřebičů, které pouze vypouštějí vzduch zpět do místnosti).
- Předměty umístěné na výrobku mohou spadnout. Na vrchní část produktu nedávejte žádné předměty.
- Pod vašim výrobkem neflambujte.

UPOZORNĚNÍ: Před instalací digestoře odstraňte ochranné fólie.

- Když je digestoř v provozu, nikdy nenechávejte pod digestoři vysoké plameny
- Fritézy s obsahem tuku se během používání nepřetržitě monitorovat: přehřátý olej může vzplanout.

1.2 Soulad se směrnicí WEEE a Odstranění odpadů výrobku

Tento výrobek splňuje požadavky směrnice WEEE EU (2012/19 / EU). Tento výrobek nese symbol klasifikace

pro odpad z elektrických a elektronických zařízení (OEEZ).



Tento symbol znamená, že na konci své životnosti se tento výrobek nesmí likvidovat spolu s ostatním domovním odpadem. Použité zařízení

se musí odnést na oficiální sběrné místo pro recyklaci elektrických a elektronických zařízení. Chcete-li najít tato místa sběru, obraťte se na místní úřady nebo na prodejce, u kterého byl produkt zakoupen. Každá domácnost plní důležitou úlohu

při zhodnocování a recyklaci starých zařízení. Správná likvidace použitého spotřebiče pomáhá předcházet možným negativním následkům pro životní prostředí a lidské zdraví.

1.3 Soulad se směrnicí RoHS

Výrobek, který jste si zakoupili, je v souladu se směrnicí EU RoHS (2011/65/EU).

Neobsahuje

škodlivé a zakázané materiály uvedené ve Směrnicí.

1.4 Informace o balení

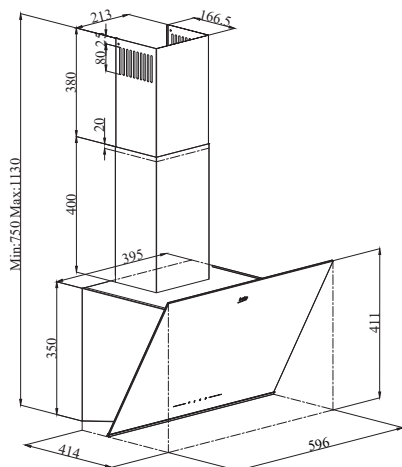


Obalové materiály výrobku jsou vyrobeny z recyklovatelných materiálů v souladu s našimi národními

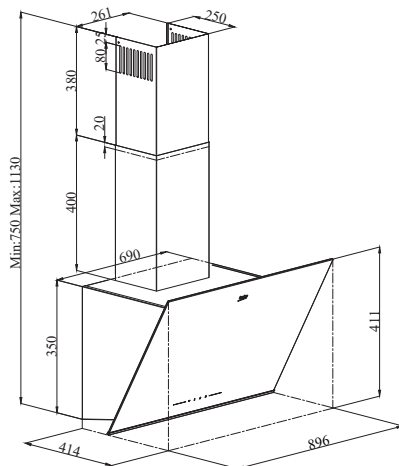
Předpisy pro životní prostředí. Nevyhazujte obalové materiály spolu s domácími nebo jinými odpady. Vezměte je do sběrných míst pro obalové materiály určené místními orgány.

2 Celkový vzhled

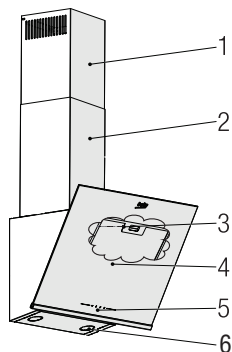
2.1 Přehled



(Obrázek č. 1).



(Obrázek č. 2)



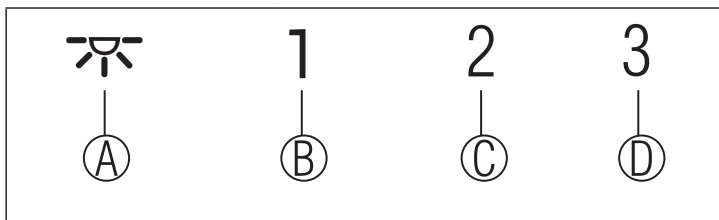
1. Vnitřní kouřovod
2. Vnější kouřovod
3. Hliníkové olejové filtry (za skleněným krytem)
4. Skleněný kryt
5. Ovládací sestava
6. Osvětlení

2.2 Technické údaje

Model	BHCA 64640 B BHCA 64640 BH	BHCA 94640 BH BHCA 94640 WH
Napájecí napětí	220-240V ~ 50 Hz	
Příkon žárovky	2 x 3 W	
Příkon motoru	210 W	
Rychlost proudění (m ³ /h) – 3. úroveň	631 m ³ /h	623 m ³ /h
Třída izolace motoru	Třída F	
Třída izolace	Třída I	

3 Používání spotřebiče

3.1 Ovládání spotřebiče



TLAČÍTKO	FUNKCE
(A) : Zapnutí/vypnutí světla	Stisknutím tohoto tlačítka osvětlíte oblast vaření. Chcete-li osvětlení vypnout, stiskněte tlačítko znovu.
(B) : 1. Tlačítko stupně	Spotřebič pracuje s 1. rychlostí. Po dalším stisknutí tohoto tlačítka se spotřebič vypne, zobrazení stupně rychlosti se vypne.
(C) : 2. Tlačítko stupně	Spotřebič pracuje s 2. rychlostí. Po dalším stisknutí tohoto tlačítka se spotřebič vypne, zobrazení stupně rychlosti se vypne.
(D) : Tlačítko 3. stupně	Spotřebič pracuje se 3. rychlostí. Po dalším stisknutí tohoto tlačítka se spotřebič vypne, zobrazení stupně rychlosti se vypne.

3.2 Energeticky účinný provoz z hlediska úspory

Použití

- Při používání spotřebiče upravte nastavení rychlosti podle intenzity páry a zápachu, abyste ušetřili energii.
- Za normálních podmínek používejte nízké rychlosti (1–2) a vysokou rychlost (3) používejte pro intenzivní zápach a páry.
- * Žárovky jsou na digestoři umístěny za účelem osvětlení oblasti vaření.

Jejich používání na osvětlení většího prostoru povede ke zbytečné spotřebě energie a k nedostatečnému osvětlení.

3.3 Pokyny k použití

- Váš spotřebič má motor, který pracuje různými rychlostmi.
- Pro dosažení lepší výkonnosti doporučujeme za normálních podmínek používat nízké rychlosti a vysoké rychlosti používat v případě silných zápachů a intenzivních par.

- Spotřebič můžete zapnout stisknutím tlačítka požadované rychlosti. (B, C, D)
- Oblast vaření osvětlíte stisknutím tlačítka osvětlení (A).

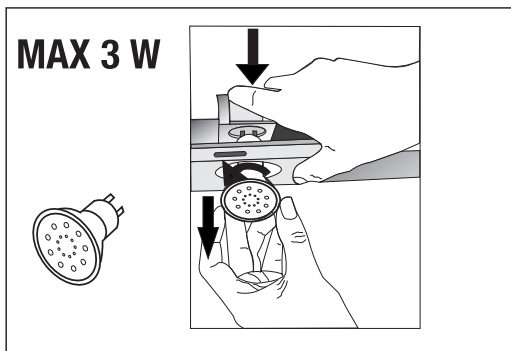
3.4 Automatické zastavení

Váš spotřebič má funkci automatického zastavení, která umožňuje trochu větší odvětrávání a odstraňuje nežádoucí pachy a páry uvnitř prostředí, a která se po dokončení vaření automaticky vypne. Chcete-li aktivovat funkci automatického zastavení, stiskněte libovolné tlačítko stupně rychlosti (B, C, D) na ovládacím panelu déle než na 2 sekundy, poté se na 15 minut aktivuje funkce časovače. Je-li funkce automatického zastavení aktivní, stisknutím stejného tlačítka stupně rychlosti se deaktivuje funkce automatického zastavení a motor spotřebiče se zastaví. Když přepínáte mezi různými stupni rychlosti, je tato funkce deaktivována.

Pokud chcete, aby se spotřebič automaticky zastavil, je třeba znovu aktivovat funkci automatického zastavení.


3 Používání spotřebiče

3.5 Výměna žárovky

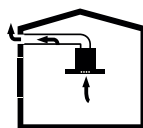


(Obrázek č. 3)

Připojte spotřebič k elektrické síti. Váš spotřebič používá bodovou LED žárovku 3 W. Při výměně žárovek zatlačte na držák směrem dozadu, otočte jím proti směru hodinových ručiček a vyjměte jej směrem dolů. Použijte výše uvedený postup obráceně a vložte nové žárovky (obrázek 3).

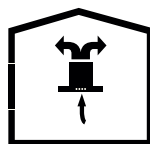
Žárovka	
Příkon žárovky (W)	3
Držák/objímka	GZ 10
Napětí žárovky (V)	220–240
Velikost (mm)	53 x 50
Kód ILCOS	DR/F3-220-240-GZ10-50-53

3.6 Používání s připojením ke kouřovodu



- Pára je odsávána potrubím kouřovodu, které je upevněno k přípojovací hlavě na digestoři.
- Průměr potrubí kouřovodu musí být stejný jako u přípojovacího prstence. Při vodorovném nastavení musí mít potrubí mírný sklon směrem nahoru (kolem 10°), aby mohl vzduch snadněji odcházet z místnosti.

3.7 Používání bez připojení ke kouřovodu



- Vzduch se filtruje přes uhlíkový filtr a recirkuluje v místnosti. Uhlíkový filtr se používá, když není v domě možné použít kouřovod.
- Při použití bez kouřovodu vyjměte klapky uvnitř adaptéru kouřovodu.
- Vyjměte olejový filtr. Chcete-li nainstalovat uhlíkový filtr, nasadte filtr na příchytky vystředěním na plastový díl na obou stranách tělesa ventilátoru. Utáhněte jej otáčením doprava nebo doleva.
- Vyměňte hliníkový olejový filtr.

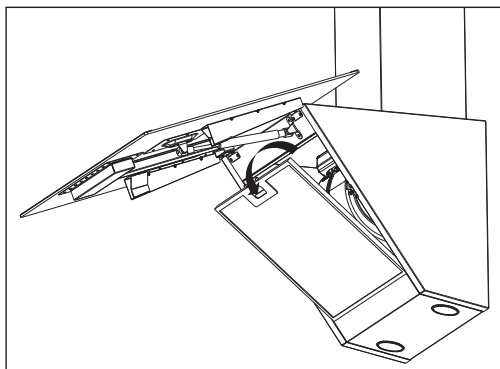
4 Čištění a údržba



Před čištěním a údržbou výrobek odpojte nebo vypněte spínačem.

4.1 Čištění hliníkového olejového filtru

Tento filtr zadržuje částice oleje ve vzduchu. Hliníkové olejové filtry mohou při omývání změnit barvu. Je to normální a neznamená to potřebu výměny hliníkových olejových filtrů.



(Obrázek č. 4)

- Zatlačte zámek hliníkového olejového filtru dopředu.
- Potom jej lehce táhněte dolů a vytáhněte ven (obrázek č. 4). Jinak se může filtr ohnout. Hliníkové olejové filtry omyjte a opláchněte tekutým čisticím prostředkem a vraťte je do jejich lůžek provedením výše uvedených kroků v opačném pořadí. Tento filtr zadržuje částice oleje ve vzduchu.



Hliníkové olejové filtry můžete mýt v myčce na nádobí.

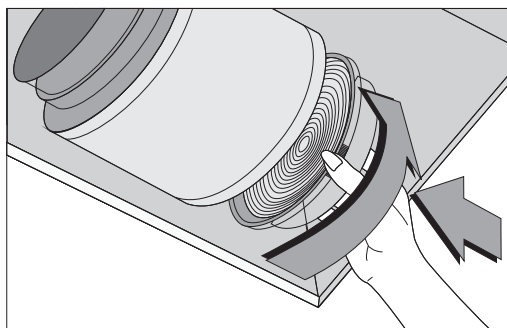


UPOZORNĚNÍ

V případě běžného používání filtr vyčistěte jednou za měsíc.

4.2 Výměna uhlíkových filtrů

Filtry pro odstranění zápachu obsahují aktivní uhlí. Ve výrobku musí být nainstalovány tukové filtry, bez ohledu na to, zda jsou nebo nejsou používány uhlíkové filtry.



(Obr. č. 5)

- Vyjměte hliníkový olejový filtr (obrázek č. 4).
- Chcete-li vyjmout uhlíkový filtr, vyjměte uhlíkový filtr z jeho krytu otáčením proti směru hodinových ručiček od přichytky (obrázek č. 5).
- Nainstalujte nový uhlíkový filtr.
- Nainstalujte hliníkový olejový filtr.



UPOZORNĚNÍ

Uhlíkový filtr se nesmí nikdy mýt.



UPOZORNĚNÍ

Uhlíkové filtry vyměňte jednou za 3 měsíce.



UPOZORNĚNÍ

Uhlíkový filtr můžete získat v autorizovaných servisech.

5 Instalace spotřebiče



UPOZORNĚNÍ!

Před zahájením instalace si přečtěte bezpečnostní informace v uživatelské příručce.

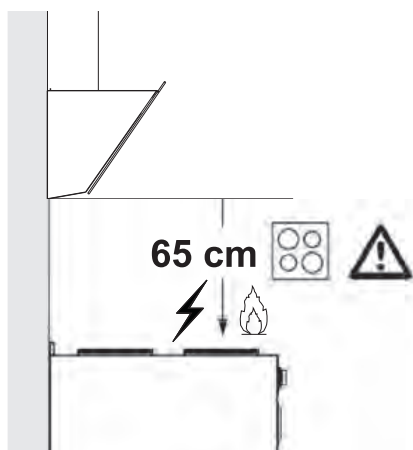


UPOZORNĚNÍ!

Pokud nebudete šrouby a stabilizátory instalovat podle těchto pokynů, může dojít k úrazu elektrickým proudem.

Chcete-li si nechat digestoř nainstalovat, obraťte se na nejbližší autorizovaný servis. Za přípravu místa a elektrickou instalaci pro digestoř odpovídá zákazník.

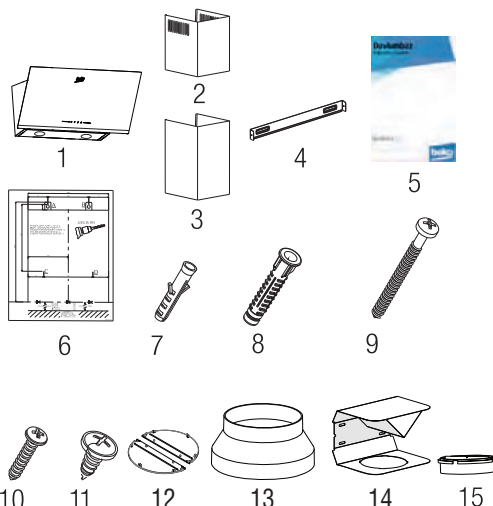
5.1 Umístění spotřebiče



(Obrázek č. 6)

- Před instalací je nutno zvážit vzdálenost mezi sporákem a digestoří. Tato vzdálenost by měla být 65 cm (obrázek č. 6).
- U plynových sporáků se vzdálenost musí měřit od povrchu roštu,
- u elektrických sporáků od povrchu skla.

5.2 Instalace příslušenství



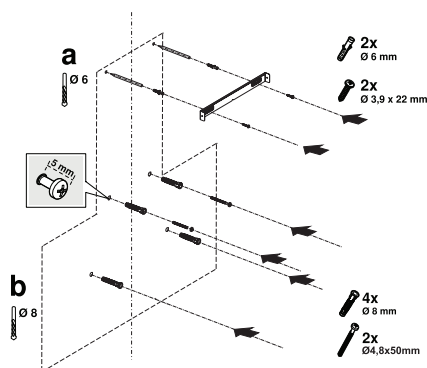
1. Výrobek
2. Vnitřní kouřovod
3. Vnější kouřovod
4. Deska pro připojení kouřovodu
5. Uživatelská příručka
6. Instalační plánek
7. 2x plastová hmoždinka Ø6 mm
8. 4x plastová hmoždinka Ø8 mm
9. 4x šroub pro upevnění na stěnu 4,8x50
10. 2x šroub desky pro připojení kouřovodu 3,9x22
11. 4x šroub pro připojení kouřovodu 3,5x9,5
12. Kovová klapka do komínu
13. Plastový adaptér kouřovodu 150/120 mm
14. Usměrňovač proudu vzduchu
15. Plastový adaptér (odváděč vzduchu)

Níže jsou uvedeny informace potřebné k určení umístění vhodného pro instalaci digestoře.

5 Instalace spotřebiče

5.3 Instalace na stěnu

- Stěna musí být plochá, rovná a musí mít dostatečnou nosnost.
- Hloubka navrtaných otvorů musí být v souladu s délkou šroubů.
- Dodané šrouby a hmoždinky jsou vhodné pro cihlové zdi. Pro jiný stavební materiál (např. sádrokarton, desky, porézní beton) musí být použity vhodné upevňovací hmoždinky a matice.



(Obrázek č. 7)

UPOZORNĚNÍ

Před vrtáním se ujistěte, že v těsné blízkosti vrtaných míst nejsou žádná vedení elektřiny, plynu nebo vody.

Od stropu nakreslete středovou čáru kolmo ke spodnímu okraji digestoře ().

Upevněte na povrch, na který bude výrobek nainstalován, instalační šablonu dodanou s výrobkem. Přitom dodržujte instalační výšku digestoře (strana 12 / obrázek č. 6).

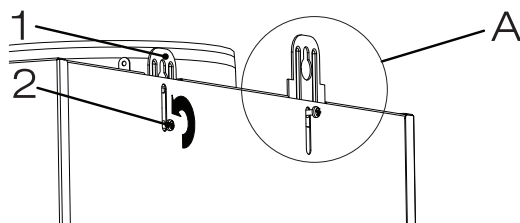
Uprostřed desky pro připojení kouřovodu je příchytka. Umístěte střed této příchytky na čáru, která je nakreslena kolmo ke stěně. Přitom upravte digestoř podle maximální výšky (strana 8 / obrázek č. 1).

Pomocí tužky označte otvory, na které se bude instalovat deska pro připojení kouřovodu (obrázek č. 7/a).

Vyvrtejte označené body vrtákem o $\text{Ø}6$ mm a do vyvrtaných otvorů vložte 2 plastové hmoždinky (obrázek č. 7/a). Desku pro připojení kouřovodu připevněte ke stěně pomocí šroubů $3,9 \times 22$ (obrázek č. 7/a).

Při sestavení tělesa digestoře použijte vrták $\text{Ø}8$ mm k vyvrtání bodů A, B, C, D na instalační šabloně a vložte do těchto otvorů plastové hmoždinky $4,8 \times 50$ mm. (Obrázek č. 7/b).

Našroubujte 2 kusy závěsných šroubů $4,8 \times 50$ s vůlí 5 mm mezi hlavou šroubu a stěnou (obrázek č. 7/b).



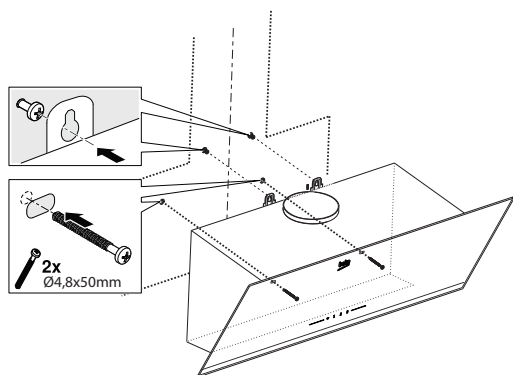
(Obrázek č. 8)

1. Závěsná deska
2. Šroub pro připojení závěsné desky

Chcete-li nainstalovat digestoř na stěnu, povolte šrouby na závěsných deskách připevněných ke krytu motoru, vytáhněte je nahoru a poté znovu utáhněte (obrázek č. 8/A).

Otevřete skleněný kryt sání digestoře a vyjměte hliníkový olejový filtr (strana 11 / obrázek č. 4).

5 Instalace spotřebiče

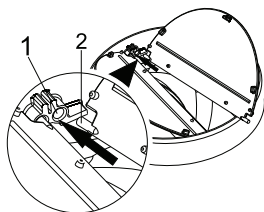


(Obrázek č. 9)

Držte digestoř za její těleso a umístěte ji na upevňovací šrouby na stěně a utáhněte šrouby (obrázek č. 9).

Zajistěte digestoř na stěně pomocí dvou šroubů 4,8x50 instalačním otvorem na vnitřní straně spotřebiče (obrázek č. 9).

5.4 Připojení ke kouřovodu



(Obrázek č. 10)

- 1 - Konektor kolíku klapky
- 2 - Kolík klapky

Vložte plastový kolík (obrázek č. 10 / oblast č. 2) do konektoru kolíku na odtahu motoru (obrázek č. 10 / oblast č. 1). Poté lehce ohněte klapku, abyste na klapku vložili druhý kolík a zasunuli ho do konektoru (obrázek č. 10).

Pokud se chystáte použít plastový adaptér kouřovodu Ø120/150 mm, připojte jeden konec potrubí k tomuto adaptéru. Pokud adaptér nebudete používat, připojte jeden konec

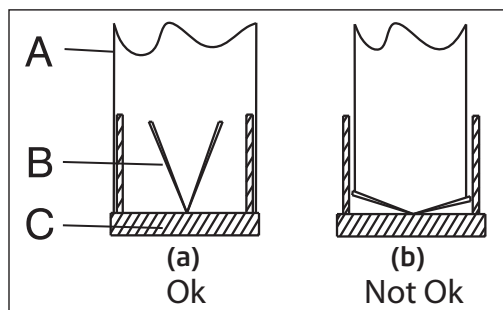
potrubí přímo k výstupu na výrobku. Druhý konec potrubí připojte k vašemu kouřovodu. Zkontrolujte, zda jsou tyto dva spoje natolik těsné, že nedojde k jejich uvolnění, když bude spotřebič pracovat na plný výkon. Ujistěte se, že klapky uvnitř kouřovodu fungují, když jsou utaženy svorkou. Připojte připojovací potrubí kouřovodu na vnější stranu adaptéru (obrázek č. 11/a). Je-li připojovací potrubí naistalováno na vnitřní straně adaptéru, nemůže dojít k sání vzduchu, protože kouřová klapka, která brání návratu vzduchu, zůstane uzavřená (obrázek č. 11/b). Délka připojení potrubí i počet kolen musí být co nejmenší.

A: potrubí odtahu kouře

B: kouřové klapky

C: plastový kouřovod

Když spotřebič nepracuje, klapky jsou zavřené a zabraňují vniknutí možného vnějšího zápa-
chu a prachu dovnitř.



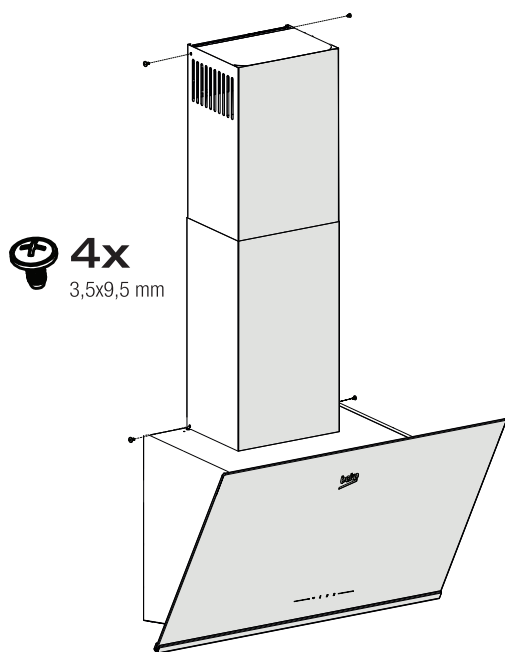
(Obrázek č. 11)

5 Instalace spotřebiče

5.5 Instalace digestoře ke kouřovodu

Před zahájením instalace kouřovodu provedte elektrické připojení digestoře. Nasuňte desky kouřovodu kolem tělesa. Přišroubujte kouřovod k upevňovacím deskám kouřovodu na krytu motoru. (Obrázek č. 12).

Nainstalujte kouřovod na upevňovací desku kouřovodu, která je připevněna ke stěně z jejich horních vnějších okrajů (obrázek č. 12).

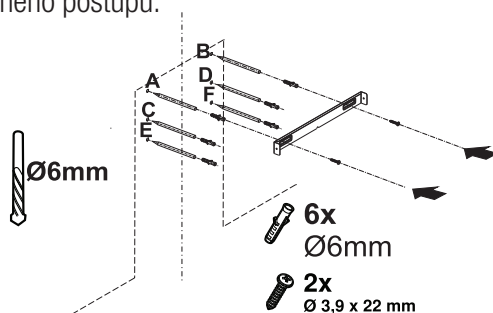


(Obr. č. 12)

5.6 Instalace usměrňovače proudu vzduchu

(BHCA 64640 BH - BHCA 94640 BH - BHCA 94640 WH)

Pokud se používá uhlíkový filtr, je s vaším spotřebičem dodáván usměrňovač proudu vzduchu, jehož účelem je opětovné uvolnění vzduchu, vyčištěného uhlíkovým filtrem, z děrované oblasti na kouřovodu. Nainstalujte usměrňovač proudu vzduchu dle níže uvedeného postupu.



(Obr. č. 13)

Uprostřed desky pro připojení kouřovodu je příchytka. Umístěte střed této příchytky na čáru, která je nakreslena kolmo ke stěně. Vyrovnejte vodorovně a pomocí tužky označte otvory, kde bude upevněna deska pro připojení (obrázek č. 13/A, B).

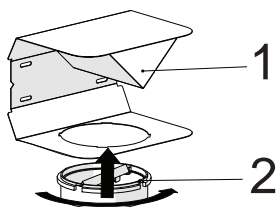
Vyvrtejte označené body vrtákem o $\text{Ø}6 \text{ mm}$ a do vyvrтанých otvorů vložte dvě plastové hmoždinky o $\text{Ø}6 \text{ mm}$ (obrázek č. 13/A, B).

Desku pro připojení kouřovodu připevněte ke stěně pomocí šroubů $3,9 \times 22$ (obrázek č. 13/A, B).

Pro instalaci usměrňovače proudu vzduchu vyvrtejte body C, D, E, F vrtákem $\text{Ø}6 \text{ mm}$ a vložte plastové hmoždinky $\text{Ø}6 \text{ mm}$ (obrázek č. 13).

Nainstalujte těleso digestoře (strana 14 / obrázek č. 9).

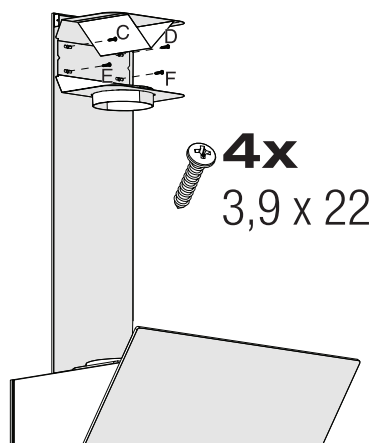
5 Instalace spotřebiče



(Obrázek č. 14)

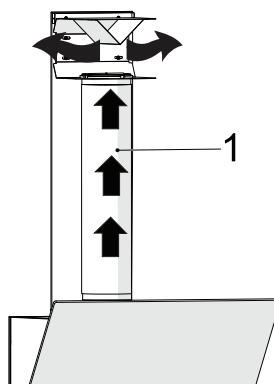
- 1- usměřovač proudu vzduchu
- 2- plastový kouřovod

Připevněte plastový adaptér kouřovodu, který je součástí balení, ve směru usměřovače proudu vzduchu. Uzamkněte adaptér kouřovodu otočením ve směru šipky (obrázek č. 14).



(Obr. č. 15)

Nainstalujte skupinu usměřovače proudu vzduchu pomocí šroubů 3,9x22 z bodů C, D, E, F, které jste již připravili (obrázek č. 15).



(Obr. č. 16)

- 1- hliníkové potrubí odvodu vzduchu
- Provedte instalaci potrubí odvodu vzduchu (obrázek č. 16).



Protože zákruty a ohyby v hliníkové potrubí povedou ke snížení sacího výkonu vzduchu, vyhněte se používání zákrutů a ohybů, jak je to jen možné.

Provedte instalaci desek kouřovodu digestoře (strana 14 / obrázek č. 9)

6 Řešení problémů

Řešení problémů	Hlavní příčina	Rada
Spotřebič nefunguje.	Zkontrolujte pojistky.	Pojistka může být spálena, proveďte kontrolu a výměnu.
Spotřebič nefunguje.	Zkontrolujte elektrické připojení.	Síťové napětí musí být v rozmezí 220 až 240 V.
Spotřebič nefunguje.	Zkontrolujte elektrické připojení.	Zkontrolujte, zda funguje jiný spotřebič ve vaší kuchyni.
Světlo osvětlení nefunguje.	Zkontrolujte elektrické připojení.	Síťové napětí musí být v rozmezí 220 až 240 V.
Světlo osvětlení nefunguje.	Zkontrolujte spínač osvětlení.	Přepínač osvětlení musí být v poloze „zapnuto“.
Světlo osvětlení nefunguje.	Zkontrolujte žárovky.	Žárovky spotřebiče musí svítit.
Přívod vzduchu do spotřebiče je nedostatečný.	Zkontrolujte hliníkový filtr.	Za normálních provozních podmínek se musí hliníkový olejový filtr čistit nejméně jednou za měsíc.
Přívod vzduchu do spotřebiče je nedostatečný.	Zkontrolujte odtah vzduchu do kouřovodu.	Odtah vzduchu do kouřovodu musí být v poloze „zapnuto“.
Přívod vzduchu do spotřebiče je nedostatečný.	Zkontrolujte uhlíkový filtr.	Filtry spotřebičů s uhlíkovými filtry se musí za normálních podmínek vyměňovat jednou za 3 měsíce.

Najprej preberite ta vodič.





Spoštovana stranka,

hvala, da ste izbrali izdelek BEKO. Želimo, da ta visokokakovosten izdelek, ki je bil izdelan z vrhunsko tehnologijo, uporabljate optimalno učinkovito. Pred uporabo v celoti preberite ta vodič in dodatno dokumentacijo in se ga potrudite razumeti ter jo shranite za poznejšo uporabo. Če napravo predate komu drugemu, mu predajte tudi ta vodič. Upoštevajte vsa opozorila in informacije ter navodila.

Pomnite, da lahko ta navodila veljajo za več modelov izdelka. Ta vodič jasno prikazuje razlike med posameznimi modeli.

Simboli in njihov pomen

V vodiču so uporabljeni naslednji simboli:

	Pomembne informacije in priporočila o uporabi naprave.
	POZOR: Opozorila o osebnih poškodbah in škodi na lastnini.
	Opozorilo o električnem udaru.
	Opozorilo o požaru.



Ta izdelek je bil proizveden v sodobnih tovarnah, ki spoštujejo naravo in ji ne škodujejo.

1 Pomembna varnostna in okoljska navodila

1.1. Splošna varnost

Pomembna varnostna navodila. Pozorno preberite in shranite za prihodnjo uporabo. Ta razdelek vsebuje varnostna navodila, ki vam bodo pomagala pri zaščiti pred požarom, električnim uradom, izpostavljenostjo mikrovalovni energiji, osebnih poškodbah in škodi na lastnini. Neupoštevanje teh navodil razveljavi garancijo.

- Izdelki Beko so skladni z varnostnimi standardi, zato se v primeru škode na napravi ali napajalnem kablu za popravilo ali menjavo obrnite na trgovca, servis ali specialista ter pooblaščen servis, da se izognete nevarnosti. Nepravilno popravilo ali popravilo, ki ga je opravil neusposobljen strokovnjak, je lahko nevarno in za uporabnika predstavlja tveganje.
- Naprava je namenjena uporabi v gospodinjstvu in podobnih okoljih, kot so:
 - kuhinje za osebje v trgovinah, pisarnah in drugih delovnih okoljih;
 - kmetijska poslopja;
 - hoteli in druga bivalna okolja, kjer jo lahko uporabljajo gostje;
 - okolja, kjer ponujajo nočitve z zajtrkom.
- Napravo uporabljajte za predviden namen, opisan v tem priročniku.
- Proizvajalec ne odgovarja za nobeno škodo, nastalo zaradi neustrezne, nepravilne ali nesmiselne uporabe te naprave.
- Otroci, stari 8 let ali več, in osebe s fizič-

nimi, senzoričnimi ali psihičnimi motnjami ali s premalo izkušnjami in znanja lahko uporabljajo to napravo, če jih kdo nadzira ali jim svetuje o varni uporabi in če poznajo tveganja, povezana z njegovo uporabo.

- Otroci se ne smejo igrati z napravo. Otroci ne smejo čistiti in vzdrževati naprave brez nadzora.
- Najmanjša razdalja med podporno površino za posode na kuhalni plošči in spodnjim delom vašega izdelka mora biti vsaj 65 cm.
- Če navodila za namestitev plinske kuhalne plošče določajo večjo razdaljo, jo je treba upoštevati.
- Prepričajte se, da je napajanje skladno z informacijami na ploščici naprave.
- Če je kabel ali naprava poškodovana, je nikoli ne uporabljajte.
- Pazite, da se napajalni kabel ne poškoduje, tako da ga ne stiskate, zvijate ali vlečete po ostrih robovih. Napajalni kabel držite stran od vročih površin in odprtega ognja.
- Napravo uporabljajte samo z ozemljeno vtičnico.

OPOZORILO: Naprave ne priklopite na omrežno napajanje, dokler ni namestitev končana.

- Napravo postavite tako, da je vtičač vedno dostopen.
- Ne dotikajte se lučk, če so dolgo delovale. Lahko so vroče in povzročijo opekline.
- Upoštevajte navodila pristojnih organov o izpustih izhodnega zraka (to opozorilo ne

1 Pomembna varnostna in okoljska navodila

velja za uporabo brez nape).

- Napravo uporabite po tem, ko ste na kuhhalno ploščo postavili lonec, ponev itd. V nasprotnem primeru lahko visoka vročina povzroči deformacije na delih vašega izdelka.
- Izklopite kuhhalno ploščo, preden z nje vzamete posodo, ponev itd.
- Na kuhhalni plošči ne puščajte vročega olja. Pri ponvah z vročim oljem lahko pride do samovžiga.
- Pazite na svoje zavese in pokrivala, ker se lahko olje vname, ko pečete hrano, kot je denimo ocvrti krompirček.
- Filter za maščobo je treba zamenjati vsaj enkrat na mesec. Ogleni filter je treba zamenjati vsaj enkrat na tri mesece.
- Izdelek je treba čistiti v skladu z uporabniškim priročnikom. Če čiščenje ni bilo izvedeno v skladu z uporabniškim priročnikom, obstaja tveganje požara.
- Namesto trenutnega filtra ne uporabljajte filtrirnih materialov, ki niso odporni proti ognju.
- Uporabljajte samo originalne dele ali dele, ki jih priporoča proizvajalec.
- Ne uporabljajte tega izdelka brez filtra in ne odstranjujte, filtrov ko naprava deluje.
- V primeru vžiga izključite izdelek in naprave za kuhanje iz električnega napajanja.
- V primeru vžiga pokrijte plamen in izdelka nikoli ne gasite z vodo.

- Izklopite napravo pred vsakim čiščenjem in ko ni v uporabi.
- Negativni tlak v okolju ne sme preseči 4 Pa (4 x 10 barov), ko električna kuhhalna ploščica in naprave, ki delujejo na drugo vrsto energije (ne elektriko), delujejo hkrati.
- V okolju, v katerem se uporablja naprava, mora biti izhodni zrak naprav, ki delujejo na kurilno olje ali plin, kot je grelnik prostorov, popolnoma izoliran ali pa mora biti naprava hermetične vrste.
- Pri priključitvi nape uporabite cevi s premerom 120 ali 150 mm. Priključek cevi mora biti kar se da kratek in imeti kar najmanj zavojev.

Nevarnost zadušitve! Ves embalažni material hranite zunaj dosega otrok.

POZOR: Dostopni deli se lahko pri uporabi z napravo za kuhanje segrejejo.

- Izhodni zrak ne sme biti povezan z zračniki, po katerih potuje drugi dim.
- Prezračevanje v prostoru je lahko nezadostno, ko se napa za električno kuhhalno ploščico uporablja hkrati z napravami, ki delujejo na plin ali druga goriva (to morda ne velja za naprave, ki zrak spuščajo nazaj v prostor).
- Predmeti, ki so postavljeni na napravo, lahko padejo na tla. Ne postavljajte predmetov na napravo.
- Pod izdelkom ne flambirajte.

OPOZORILO: Pred namestitvijo kuhhalne

plošče, odstranite zaščitne folije.

- Ko kuhalna plošča deluje, po njo nikoli ne pustite goreti velikega plamena.
- Cvrtnike je treba med uporabo stalno nadzorovati: pregreto olje lahko zagori.

1.2 Skladno z direktivo WEEE in direktivo o odstranjevanju odpadnih naprav:

Ta naprava je skladna z direktivo EU WEEE (2012/19/EU). Na izdelku je simbol

za razvrščanje odpadne električne in elektronske opreme (WEEE).



Ta oznaka pomeni, da ob koncu njegove življenjske dobe tega izdelka ne smete odstranjevati skupaj z drugimi gospodinjskimi odpadki.

Uporabljeno napravo je treba vrniti na uradno točko za recikliranje električnih in elektronskih naprav. Za lokacije teh sistemov za zbiranje se obrnite na lokalne organe ali trgovca, kjer ste kupili izdelek. Vsako gospodinjstvo igra pomembno vlogo

pri nadomeščanju in recikliranju starih naprav. Primerno odlaganje rabljenih naprav pomaga preprečevati potencialne negativne posledice za okolje in človekovo zdravje.

1.3 Skladnost z direktivo RoHS

Izdelek, ki ste ga kupili, je skladen z direktivo EU RoHS (2011/65/EU). Ne vsebuje

škodljivih in prepovedanih snovi, navedenih v direktivi.

1.4 Informacije o embalaži

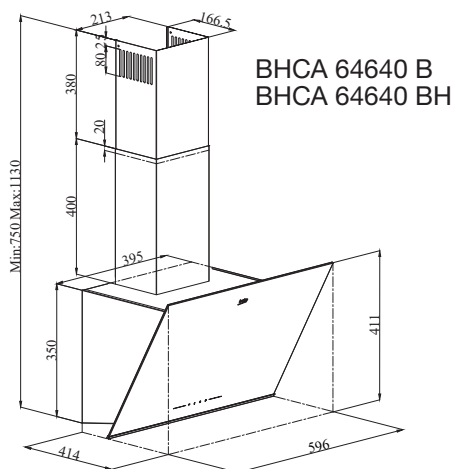


Embalaža naprave je izdelana iz recikliranih materialov v skladu z našimi nacionalnimi

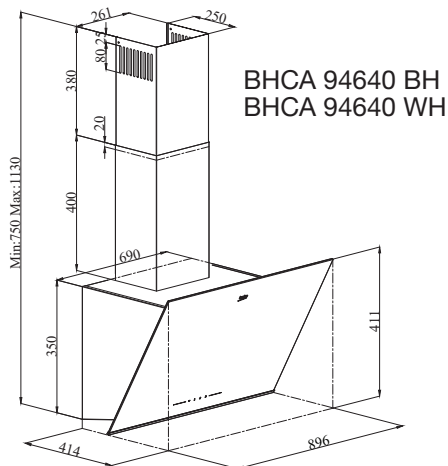
okoljskimi predpisi. Ne odlagajte embalažnih materialov skupaj z gospodinjskimi ali drugimi odpadki. Odnosite jih v zbirne centre za embalažo s pooblastilom lokalnih organov.

2 Splošen videz

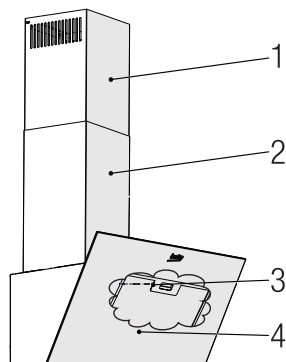
2.1 Pregled



(Slika 1).



(Slika 2)



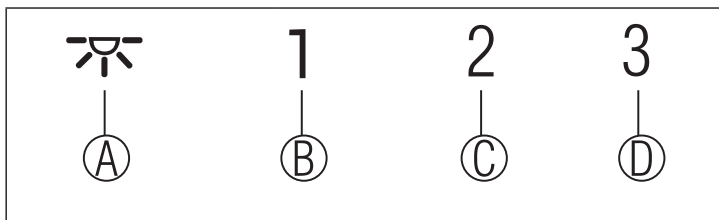
1. Notranja cev
2. Zunanja cev
3. Aluminijasti filter za maščobo (za steklenim pokrovom)
4. Stekleni pokrov
5. Nadzorna plošča
6. Osvetlitev

2.2 Tehnični podatki

Model	BHCA 64640 B BHCA 64640 BH	BHCA 94640 BH BHCA 94640 WH
Napajalna napetost	220–240V/50 Hz	
Moč žarnice	2 x 3 W	
Moč motorja	210 W	
Stopnja pretoka (m ³ /h) – 3. stopnja	631 m ³ /h	623 m ³ /h
Izolacijski razred motorja	Razred F	
Izolacijski razred	Razred I	

3 Delovanje naprave

3.1 Upravljanje naprave



TIPKA	FUNKCIJA
(A) : Vklop/izklop osvetlitve	Za osvetlitev kuhalnega mesta pritisnite ta gumb. Ponovno pritisnite ta gumb, da izklopite lučko.
(B) : 1 Gumb za stopnjo	Naprava deluje s 1. hitrostjo. Ko znova pritisnete ta gumb, da izklopite napravo, se prikazana hitrosti izklopi.
(C) : 2. Gumb za stopnjo	Naprava deluje z 2. hitrostjo. Ko znova pritisnete ta gumb, da izklopite napravo, se prikazana hitrosti izklopi.
(D) : Gumb za 3. stopnjo	Naprava deluje s 3. hitrostjo. Ko znova pritisnete ta gumb, da izklopite napravo, se prikazana hitrosti izklopi.

3.2 Učinkovita poraba energije

Med delovanjem aparata prilagodite nastavitev hitrosti glede na količino pare in intenzivnost vonja, da zmanjšate porabo energije.

- V običajnih razmerah uporabljajte nizki hitrosti (1–2), pri veliki količini pare in močnem vonju pa uporabljajte visoko hitrost (3).
- * Lučke na napi so namenjene osvetlitvi kuhalnega mesta.

Če jih uporabljate za osvetlitev prostora, lahko pride do nepotrebne porabe energije in nezadostne osvetlitve.

3.3 Uporaba nape

- Aparat je opremljen z motorjem, ki ima različne hitrosti.
- Za boljšo učinkovitost priporočamo, da v običajnih razmerah uporabljate nizke hitrosti, pri veliki količini pare in močnem vonju pa visoko hitrost.

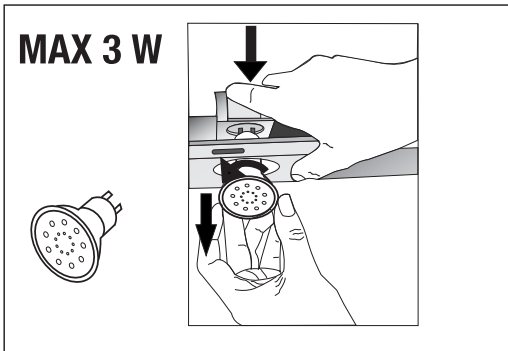
- Aparat lahko vklopite tako, da pritisnete gumb za nastavitev zelene hitrosti. (B, C, D)
- Za osvetlitev kuhalnega mesta pritisnite lučko (A).

3.4 Samodejna zaustavitev

Vaša naprava ima funkcijo samodejne zaustavitve, ki vam omogoča, da prostor malce bolj prezračite in odstranite neželen vonj ter veliko količino pare v okolju, po koncu kuhanja pa jo samodejno izklopite. Da omogočite funkcijo samodejne zaustavitve, pritisnite katerikoli gumb za nastavitev hitrosti na nadzorni plošči dlje kot za 2 sekundi; aktivirala se bo funkcija 15-minutnega merilnika časa. Ko je funkcija samodejne zaustavitve aktivna, bo pritisk istega gumba za nastavitev hitrosti onemogočil funkcijo samodejne zaustavitve in motor naprave se bo ustavil. Ta funkcija je onemogočena, ko preklapljate med različnimi hitrostmi. Če želite, da se naprava zaustavi, morate znova omogočiti funkcijo samodejne zaustavitve.


3 Delovanje naprave

3.5 Zamenjava lučke



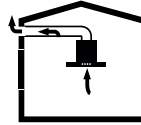
(Slika 3)

Izvedite električne povezave aparata. Vaša naprava uporablja 3W točkovno LED-lučko. Da zamenjate žarnice, potisnite z zadnje strani navzdol držalo, ga zavrtite v nasprotni smeri urnega kazalca in odstranite v smeri navzdol. Slika Za namestitev nove žarnice postopek opravite v obratni smeri (Slika 3).

Žarnica	
Moč žarnice (W)	3
Držalo/vtičnica	GZ 10
Napetost žarnice (V)	220–240
Velikost (mm)	53 x 50
Koda ILCOS	DR/F3-220-240-GZ10-50-53

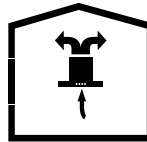
3.6 Delovanje s priključkom cevi

- Para je izvlečena skozi cev, pripeto na priključno glavo na pokrovu.
- Premer dimne cevi mora biti enak kot obroč priključka. V vodoravni postavitvi mora imeti cev naklon nekoliko navzgor (okrog 10°), da zrak z lahkoto zapusti prostor.



3.7 Delovanje brez priključne cevi

- Zrak se filtrira skozi ogljeni filter in ponovno kroži po prostoru. Ogljeni filter se uporabi, ko v hiši ni mogoče uporabiti dimne cevi.
- Pri uporabi brez cevi odstranite lopute v adapterju cevi.



- Odstranite aluminijasti filter za maščobo. Da namestite ogljeni filter, ga namestite na oznake tako, da ga na vsaki strani ohišja nape postavite na plastičen del. Zategnite ga tako, da ga obrnete desno ali levo.
- Menjava aluminijastega filtra za maščobo

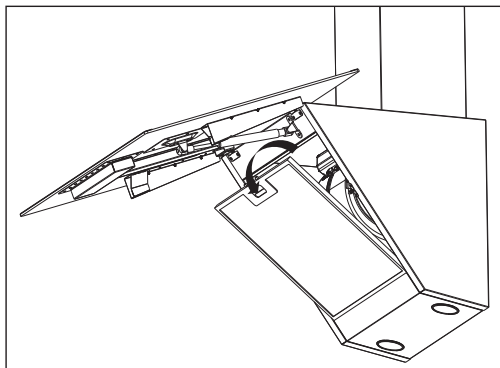
4 Čiščenje in vzdrževanje



Pred čiščenjem in vzdrževanjem odklopite izdelek ali izklopite stikalo.

4.1 Čiščenje aluminijastega filtra za maščobo

Ta filter zadržuje oljne delce v zraku. Aluminijasti filtri za maščobo lahko zaradi pranja spremenijo barvo; to je normalno in ne zahteva zamenjave vašega aluminijastega filtra za maščobo.



(Slika 4)

- Pritisnite zaklep aluminijastega filtra za maščobo naprej.
- Nato ga malce povlecite navzdol in navzven (Slika 4). V nasprotnem primeru ga lahko zvijete. Umijte in splaknite aluminijasti filter za maščobo s tekočim detergentom in ga zamenjajte po zgoraj opisanem postopku v obratni smeri. Ta filter zadržuje oljne delce v zraku.



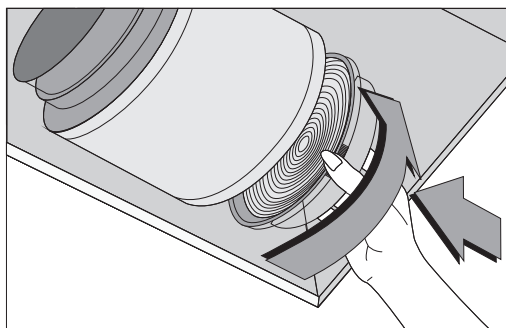
Svoj aluminijasti filter za maščobo lahko umijete v pomivalnem stroju.



POZOR
V primeru običajne uporabe filter očistite enkrat na mesec.

4.2 Zamenjava oglenih filtrov

Filtri za odstranjevanje neprijetnih vonjav vsebujejo oglje (aktivni ogljik). Aluminijasti filter za maščobo je treba namestiti v izdelek, ne glede na to, ali uporabljate ogljeni filter.



(Slika 5)

- Odstranite aluminijasti filter za maščobo (Slika 4)
- Da odstranite ogljeni filter, ga vzemite iz ohišja tako, da ga zasukate v nasprotni smeri (Slika 5).
- Namestite novi ogljeni filter.
- Namestite aluminijasti filter za maščobo.



POZOR
Oglenega filtra nikoli ne umivajte.



POZOR
Ogljeni filter zamenjate enkrat na tri mesece.



POZOR
Ogljeni filter lahko kupite pri pooblaščenih prodajalcih.

5 Nastavitev naprave



OPOZORILO!

Pred začetkom namestitve preberite varnostne informacije v uporabniškem priročniku.



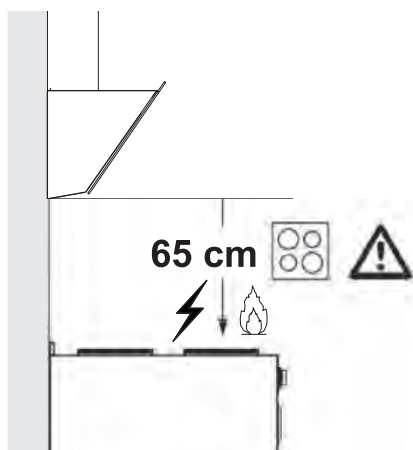
OPOZORILO!

Če naprave ne namestite z vijaki in stabilizatorji v skladu s temi navodili, lahko pride do električnega šoka.

Za namestitev pokrova se obrnite na najbližji pooblaščen servis.

Odgovornost kupca je, da pripravi lokacijo in električno instalacijo za pokrov.

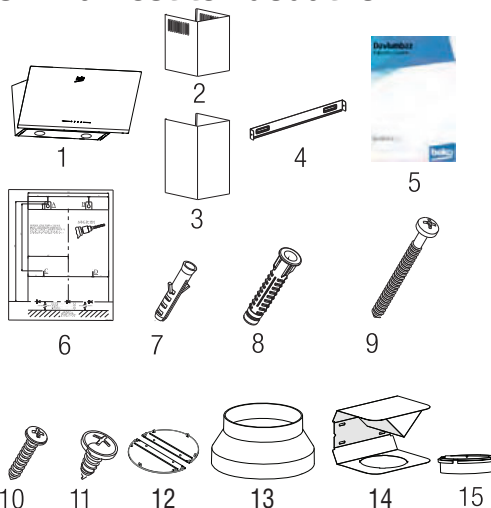
5.1 Položaj naprave



(Slika 6)

- Razdalja med kuhhalno ploščo in pokrovom mora biti upoštevana pred sestavljanjem. Meriti mora 65 cm (Slika 6).
- Razdaljo je treba izmeriti od površine rešetke plinskih gorilnikov,
- površine steklene električne kuhhalne plošče.

5.2 Namestitev dodatkov



1. Izdelek
2. Zunanja cev
3. Plošča za priklop cevi
4. Priključna plošča za dimnik
5. Uporabniški priročnik
6. Montažni vzorec
7. 2 x Ø 6 mm plastični vložek
8. 4 x Ø 8 mm plastični vložek
9. 4 x 4,8 x 50 stenski vijak
10. 2 x 3,9 x 22 vijak za povezavo s ploščo cevi
11. 4 x 3,5 x 9,5 vijak za povezavo s cevjo
12. Kovinska objemka za cev
13. Ø 150/120 mm plastični adapter za cev
14. Zračna pregrada
15. Plastični adapter (odvodnik zraka)

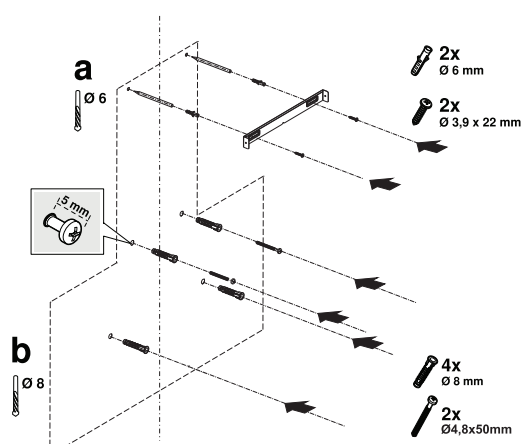
Informacije za primerno lokacijo za namestitev nape so na voljo spodaj.

5.3 Stenska namestitev

- Stena mora biti ravna in dovolj nosilna.
- Globina izvrtanih lukenj mora ustrezati dolžini vijakov.
- Priloženi vložki in matice so primerni

5 Nastavitev naprave

za opečnate stene. V primeru drugih gradbenih materialov (npr. suhomontažne plošče, plinobeton) je treba uporabiti ustrezne pritrdilne vložke in matice.



(Slika 7)



POZOR

Pred vrtanjem se prepričajte, da v neposredni bližini mest vrtanja ni električnih, plinskih ali vodovodnih cevi.

Narišite sredinsko namestitveno črto od stropa pravokotno na spodnji rob nape (\perp).

Predlogo za namestitev, priloženo izdelku, položite na površino, na katero želite namestiti napo. Pri tem opazujte višino namestitve nape (stran 12/slika 6).

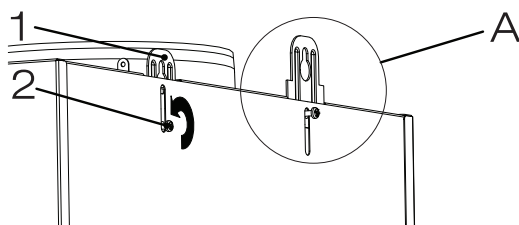
V sredini plošče za priklop cevi je oznaka. Središčno točko postavite na to oznako ter črto narišite navpično na zid. Pri tem nastavite največjo višino nape (stran 8/slika 1). S pisalom označite luknje, kjer bo nameščena plošča za priklop cevi (slika 7/a).

Zvrtajte označene točke z $\varnothing 6$ mm sve-drom in vstavite dva plastična vložka v

izvrtane luknje (Slika 7/a). Vstavite pove-zovalno ploščo za cev z vijaki 3,9 x 22 (Slika 7/a).

Da sestavite napo, lahko uporabite $\varnothing 8$ m sveder, da izvrtate točke A, B, C, D na plošči za sestavljanje, in vanje vstavite 4,8 x 50 mm plastične vložke. (Slika 7/b).

Namestite 2 pritrdilna vijaka 4,8 x 950 z razmikom 5 mm med glavo vijaka in steno (Slika 7/b)..



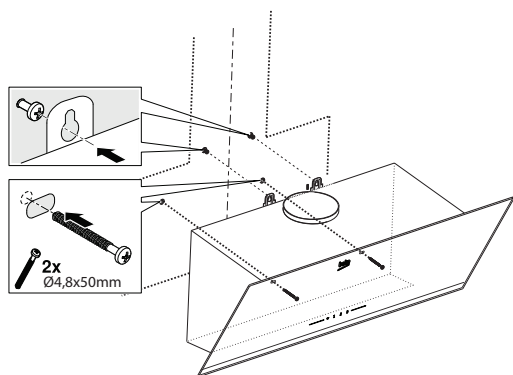
(Slika 8)

1. Obešalna plošča
2. Povezovalni vijak za obešalno ploščo

Da svojo napo namestite na steno, odvijte vijake na obešalni plošči, nameščeni na ohišju motorja, in jih povlecite navzgor ter znova zategnite (Slika 8/A).

Vklopite sesalno steklo na pokrovu in odstranite aluminijasti filter za maščobo (Stran 11/Slika 4).

5 Nastavitev naprave

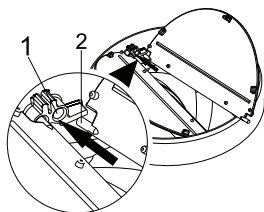


(Slika 9)

Držite napo za ohišje ter ga namestite na pritrdilne vijake na steni ter privijte vijake (Slika 9).

Pritrdite napo z dvema vijakoma 4,8 x 50 skozi namestitveno luknjo na notranji strani naprave (Slika 9).

5.4 Povezava s cevjo



(Slika 10)

- 1- Vtičnica za zatič lopute
- 2 – Zatič lopute

Vstavite plastični zatič (Slika 10/del št. 2) v vtičnico za zatič na izhodu motorja (Slika 10/del št. 1). Nato loputo malce upognite, da v loputo vstavite še drugi zatič, in ga vstavite v vtičnico (Slika 10).

Če boste uporabili \varnothing 150/120 mm plastični adapter za cev, en konec z adapterjem povežite s cevjo. Če je ne boste uporabili, pa neposredno v izhod na napravi. Povežite drugo stran cevi s cevjo. Preverite, ali sta povezavi dovolj tesni, da tudi pri najvišji hitrosti delo-

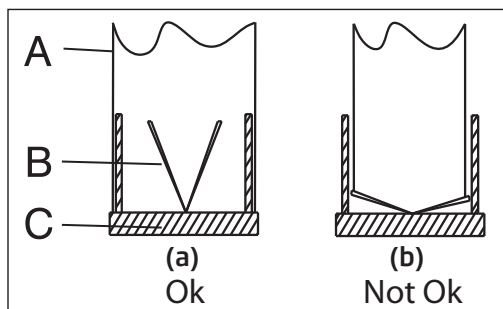
vanja naprave zrak ne uhaja. Prepričajte se, da lopute v dimniku delujejo, ko so pritrjene z zaponko. Povežite priključek cevi z zunanjo stranjo adapterja (Slika 11/a). Če je priključek v notranjosti adapterja, do vsesavanja zraka ne pride, saj dimniška loputa, ki preprečuje vračanje zraka, ostane odprta (Slika 11/b). Dolžina priključka cevi ter število zavojev morajo biti kar najmanjša.

A : Izhodna cev

B : Sponke za cev

C: Plastična cev

Če so ventili zaprti, naprava ne deluje in preprečuje, da bi morebitne neprijetne vonjave od zunaj vstopale v notranjost.



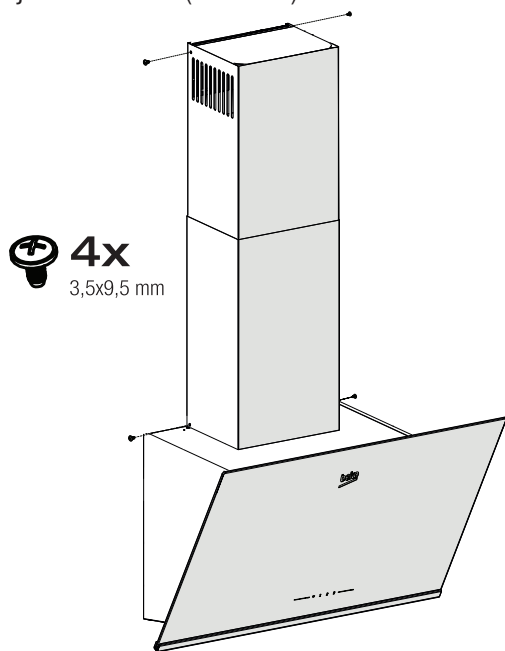
(Slika 11)

5 Namestitev naprave

5.5 Namestitev nape na cev

Pred namestitvijo na cev uredite električni priključek. Dimniške plošče nastavite okrog ohišja. Dimnik privijte na ploščo za pritrditev cevi, ki je na voljo na ohišju motorja. (Slika 12).

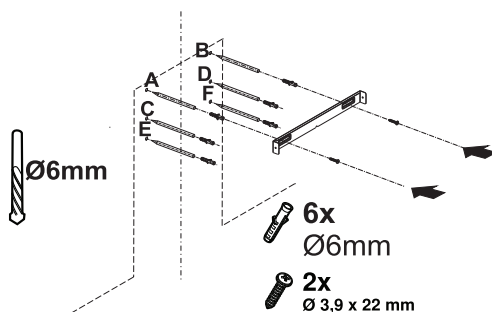
Namestite dimnik na ploščo za pritrditev cevi na zgornjih zunanjih robovih, ki je prirejena na steni (Slika 12).



(Slika 12)

5.6 Namestitev zračne pregrade (BHCA 64640 BH - BHCA 94640 BH)

Pri uporabi ogljenega filtra je vaši napravi priložena zračna pregrada s ciljem, da znova sprosti zrak, očiščen z ogljenim filtrom v cevi. Nastavite zračno pregrado, kot je prikazano spodaj.



(Slika 13)

V sredini plošče za priklop cevi je oznaka. Središčno točko postavite na to oznako ter črto narišite navpično na zid. Poravnajte vodrovno in s pisalom označite luknjice, kjer bo pritrjena plošča za pritrditev (Slika 13/A, B).

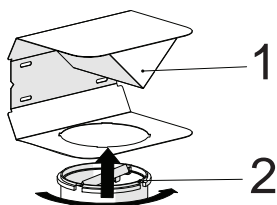
Zvrtajte označene točke s $\varnothing 6$ mm svedrom in vstavite dva plastična vložka $\varnothing 6$ mm v izvrtane luknje (Slika 13/A, B).

Pritrdite povezovalno ploščo za cev z vijaki 3,9 x 22 (Slika 13/A, B).

Za sestavljanje zračne pregrade zvrtajte točke C, D, E, F s $\varnothing 6$ mm svedrom in vstavite plastične vložke s $\varnothing 6$ mm (Slika 13).

Sestavljanje ohišja nape (Stran 13/Slika 9).

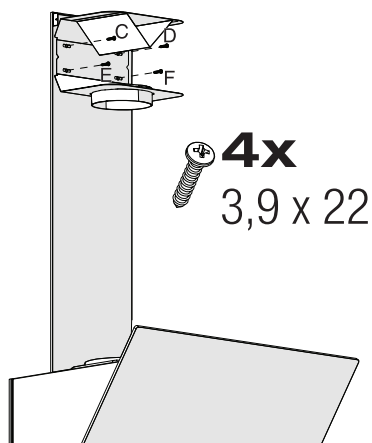
5 Namestitev naprave



(Slika 14)

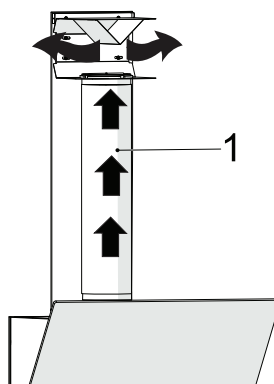
- 1 – zračna pregrada
2 – plastična cev

Povežite adapter plastične cevi, ki je priložen v paketu, v smeri zračne pregrade. Zatakните adapter cevi tako, da ga obrnete v smeri puščice (Slika 14).



(Slika 15)

Sestavite skupino zračnih pregrad s 3,9 x 22 vijaki iz točk C, D, E, F, ki ste jih že pripravili (Slika 15).



(Slika 16)

- 1 – aluminijasta cev za izhodni zrak
Pripravite cev za izhodni zrak (Slika 16).



Ker pregibi in zavoji aluminijaste cevi povzročajo zmanjšanje preseka in s tem slabšo sesalno moč, se jih čim bolj izogibajte.

Namestite plošči za dimnik na napo (Stran 14/ Slika 9)

6 Odpravljanje težav

Odpravljanje težav	Glavni razlog	Pomoč
Naprava ne deluje.	Preverite varovalke.	Varovalka je lahko pokvarjena. Preglejte jo in jo popravite.
Naprava ne deluje.	Preverite električno povezavo.	Napetost mora biti med 220 in 240 V.
Naprava ne deluje.	Preverite električno povezavo.	Preverite, ali delujejo druge naprave v vaši kuhinji.
Žarnica za osvetlitev ne deluje.	Preverite električno povezavo.	Napetost mora biti med 220 in 240 V.
Žarnica za osvetlitev ne deluje.	Preverite stikalo lučke.	Stikalo lučke mora biti v položaju »vklopljeno«.
Žarnica za osvetlitev ne deluje.	Preverite lučke.	Lučke za osvetlitev mora zasvetiti.
Vhod zraka v napravo ni ustrezen.	Preverite aluminijasti filter.	Pri normalnih pogojih delovanja je treba aluminijaste filtre za maščobo čistiti vsaj enkrat na mesec.
Vhod zraka v napravo ni ustrezen.	Preverite cev za izpust zraka.	Cev za izpust zraka mora biti v položaju »vklopljen«.
Vhod zraka v napravo ni ustrezen.	Preverite ogljeni filter.	V običajnih razmerah je treba ogljeni filter v napravah, ki so opremljene z njim, zamenjati vsake 3 mesece.



Arçelik A.Ş. Karaağaç Caddesi No:2-6,
34445, Sütüce / İSTANBUL

www.beko.com