



Built-in Oven

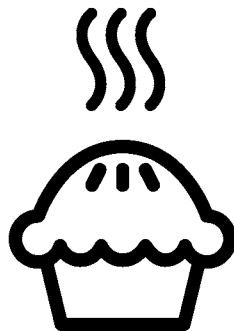
User Manual

Cuptor încorporabil

Manual de utilizare

Forno incorporado

Manual do utilizador



BBIC12100XD

EN / RO / PT

385.4400.31/R.AA/29.07.2020

7727188404

Dear Customer,

Please read this manual before using the product.

Beko thank you for choosing the product. We want your product, manufactured with high quality and technology, to offer you the best efficiency. To do this, carefully read this manual and any other documentation provided before using the product and keep it as a reference. If you give the product to someone else, give the manual with it. Follow the instructions, taking into account all the information and warnings stated in the user manual.

Heed all information and warnings in the user manual. This way, you will protect yourself and your product against the dangers that may occur.

Keep the user manual. If you give the product to someone else, give the manual with it. The user manual contains the following symbols:



Hazard that may result in death or injury.

NOTICE Hazard that may result in material damage to the product or its environment.



Hazard that may result in burns due to contact with hot surfaces.



Important information or useful usage tips.



Read the user manual.



Arçelik A.Ş.
Karaağaç caddesi No:2-6
34445 Sülüce/Istanbul/TURKEY
Made in TURKEY

This product was manufactured using the latest technology in environmentally friendly conditions.

TABLE OF CONTENTS

1 Safety instructions 4

Purpose of usage	4
Child, vulnerable person and pet safety4	
Electrical safety.....	5
Transportation safety	7
Installation safety	7
Safety of use	7
Temperature warnings	8
Accessory use.....	8
Cooking safety	8
Maintenance and cleaning safety.....	9

2 Environmental Instructions 11

Waste regulation.....	11
Compliance with the WEEE Directive and Disposing of the Waste Product	11
Package information	11
Recommendations for energy saving 11	

3 Your product 12

Product introduction	12
Product control panel introduction and usage.....	13
Oven control.....	13
Oven operating functions	14
Product accessories	15
Use of product accessories.....	16
Technical specifications	19

4 First use 20

First time setting	20
First cleaning	20

5 How to operate the oven 21

General information on oven usage...21	
Operation of the oven control unit.....	21

6 General information about cooking 23

General warnings about cooking in the oven.....	23
Pastries and oven food.....	23
Meat, Fish and Poultry.....	25
Grill	26
Test foods	27







7 Maintenance and care 28

General cleaning information.....	28
Cleaning the accessories.....	29
Cleaning the control panel.....	29
Cleaning the inside of the oven (cooking area).....	29
Easy Steam Cleaning	30
Cleaning the oven door	30
Removing the inner glass of the oven door	31
Cleaning the oven lamp.....	32

8 Troubleshooting 33

9 Guarantee Details Error! Bookmark not defined.

1 Safety instructions

- This section contains safety instructions that will help prevent any risks of personal injuries or material damage.
 - If the product is transferred to another person or used second hand, the operating manual, product labels, other relevant documents and accessories should be delivered with the product.
 - Our company shall not be held responsible for any damage that may occur as a result of failure to comply with these instructions.
 - Failure to comply with these instructions shall render any warranty void.
 -  Always have the installation and repair work performed by the manufacturer, the authorized service or a person specified by the importer.
 -  Use genuine spare parts and accessories only.
 -  Do not attempt to repair or replace any part of the product unless it is clearly specified in the operating manual.
 -  Do not perform technical modifications on the product.
-  **Purpose of usage**
- This product is designed for home use. It is not suitable for commercial use.
 - Do not use the product in gardens, balconies or other outdoor environments. The appliance is intended to be used in household and staff kitchen areas in shops, offices and other working environments.
 - **WARNING:** This product should be used for cooking purposes only. It should not be used for different purposes, such as heating the room.
 - The oven can be used to defrost, bake, fry and grill food.
 - This product; should not be used for heating, plate heating, hanging towels or clothes on the handle for drying.
-  **Child, vulnerable person and pet safety**
- This product can be used by children 8 years of age and

older, and people who are underdeveloped in physical, sensory or mental skills, or lack of experience and knowledge, as long as they are supervised or trained about the safe use and hazards of the product.

- Children should not play with the product. Cleaning and user maintenance should not be performed by children unless there is someone overseeing them.
- This product should not be used by people with limited physical, sensory or mental capacity (including children), unless they are kept under supervision or receive the necessary instructions.
- Children should be supervised to ensure that they do not play with the product.
- Electrical products are dangerous for children and pets. Children and pets must not play with, climb on, or enter the product.
- Do not put objects that children may reach on the product.
- **WARNING:** During use, the accessible surfaces of the

product are hot. Keep children away from the product.

- Keep the packaging materials out of the reach of children. There is a hazard of injury and suffocation.
- When the door is open, do not put any heavy objects on it or allow children to sit on it. You may cause the oven to tip over or damage the door hinges.
- For the safety of children, disconnect the power plug and make the product inoperable before disposing of the product.



Electrical safety

- Plug the product into a grounded outlet protected by a fuse that matches the current ratings indicated on the type label. Have the grounding installation made by a qualified electrician. Do not use the product without grounding in accordance with local / national regulations.
- The plug or the electrical connection of the product should be in an easily accessible place (where it will not be affected by the flame

of the stove). If this is not possible, there should be a mechanism (fuse, switch, switch, etc.) on the electrical installation to which the product is connected, in compliance with the electrical regulations and separating all poles from the network.

- The product must not be plugged into the outlet during installation, repair, and transportation.
- Do not plug the product into an outlet that is loose, has come out of its socket, is broken, dirty, oily, with risk of water contact (for example, water that may leak from the counter).
- Never touch the plug with wet hands! To unplug, do not hold the cord, always hold the plug.
- Make sure that the product plug is securely plugged into the outlet to avoid arcing.
- Plug the product into an outlet that meets the voltage and frequency values specified on the type label.
- Do not jam the power cord under and behind the product. Do not put a heavy object on the power cord.

The power cord should not be bent, crushed, and come into contact with any heat source.

- While the oven is operating, its back surface also gets hot. Power cords must not touch the back surface, connections may be damaged.
- Do not jam the electric cables into the oven door and pass them over hot surfaces. You may cause the oven to short circuit and catch fire as a result of the cable melting.
- Use original cable only. Do not use cut or damaged cables or extension leads.
- If the power cord is damaged, it must be replaced by a manufacturer, an authorized service or a person to be specified by the importer company in order to prevent possible dangers.
- **WARNING:** Before replacing the oven lamp, be sure to disconnect the product from the mains supply to avoid the risk of electric shock. Unplug the product or turn off the fuse from the fuse box.

Transportation safety

- Disconnect the product from the mains before transporting the product.
- The product is heavy, carry the product with at least two people.
- Do not use the door and / or handle to transport or move the product.
- Do not put other items on the product and carry the product upright. The product must not be transported when there is water in it. It may be transported after the water discharge is completed
- When you need to transport the product, wrap it with bubble wrap packaging material or thick cardboard and tape it tightly. Secure the product tightly with tape to prevent the removable or moving parts of the product and the product from damage.
- Check the overall appearance of the product for any damage that may have occurred during transportation.

Installation safety

- Before the product is installed, check the product for any damage. If the product is damaged, do not install it.
- Do not install the product near heat sources (radiators, stoves, etc.).
- Keep all ventilation ducts open around the product.
- To prevent overheating, the product should not be installed behind decorative doors.

Safety of use

- Make sure that the product is turned off after each use.
- If you do not use the product for a long time, unplug it or turn off the fuse from the fuse box.
- Do not operate defective or damaged product. If any, disconnect the electricity / gas connections of the product and call the authorized service.
- Do not use the product with the front door glass removed or broken.

- Do not climb on the product to reach anything or for any other reason.
- Do not use the product in situations that may affect your judgement, such as drug intake and / or alcohol use.
- Flammable objects kept in the cooking area may catch fire. Never store flammable objects in the cooking area.
- The oven handle is not a towel dryer. When using the product, do not hang towels, gloves or similar textiles.
- The hinges of the product door move and tighten when opening and closing the door. When opening / closing the door, do not hold the part with the hinges.

Temperature warnings

- **WARNING:** While the product is operating, exposed parts will be hot. Do not touch the product and heating elements. Children under the age of 8 should not be brought close to the product without an adult.
- Do not place flammable / explosive materials near the

product, as the edges will be hot while it is operating.

- As steam may be exhaled, keep away while opening the oven door. The steam may burn your hand, face and / or eyes.
- The product may be hot during use. Do not touch the hot compartments, the interior parts of the oven, the heating elements, etc.
- When placing food in the hot oven, removing the food, etc. always use heat resistant oven gloves.

Accessory use

- It is important that the wire grill and tray are placed properly on the wire shelves. For detailed information, refer to the section "Usage of accessories".
- Accessories can damage the door glass when closing the product door. Always push the accessories to the end of the cooking area.

Cooking safety

- Be careful when using alcohol in your food. Alcohol evaporates at high temperatures and may catch

- fire when exposed to hot surfaces, causing a fire.
- Food waste, oil, etc. in the cooking area may catch fire. Before cooking, remove such coarse dirt.
 - Food Poisoning Hazard: Do not keep food in the oven for more than an hour before and after cooking. Otherwise it may cause food poisoning or diseases.
 - Do not heat closed tin cans and glass jars. Built up pressure may cause the jar to burst.
 - Place the greaseproof paper in a cookware or on the oven accessory (tray, wire grill, etc.) with food and place it in the preheated oven. Remove any excessive pieces of greaseproof paper hanging from the accessory or container to avoid the risk of touching the oven heating elements. Never use greaseproof paper at an oven temperature higher than the maximum use temperature specified on the greaseproof paper you are using. Never place greaseproof paper on the oven base.
 - Do not place baking trays, plates or aluminum foil directly on the bottom of the oven. The accumulated heat can damage the base of the oven.
 - Close the oven door during grilling. Hot surfaces may cause burns!
 - Food not suitable for grilling carries a fire hazard. Grill only food that is suitable for heavy grill fire. Also, do not place the food too far in the back of the grill. This is the hottest area and fatty foods may catch fire.



Maintenance and cleaning safety

- Wait for the product to cool before cleaning the product. Hot surfaces may cause burns!
- Never wash the product by spraying or pouring water on it! There is an electric shock hazard!
- Do not clean the product with steam cleaners as this may cause electric shock.

- Do not use harsh abrasive cleaners, metal scrapers, wire wool or bleach materials to clean the oven front door glass / (if present) oven upper door glass. These materials can cause glass surfaces to be scratched and broken.

2 Environmental Instructions

Waste regulation

Compliance with the WEEE Directive and Disposing of the Waste Product



This product complies with EU WEEE Directive (2012/19/EU). This product bears a classification symbol for waste electrical and electronic equipment (WEEE). This product has been manufactured with high quality parts and materials which can be reused and are suitable for recycling. Do not dispose of the waste product with normal domestic and other wastes at the end of its service life. Take it to the collection center for the recycling of electrical and electronic equipment. Please consult your local authorities to learn about these collection centers.

Compliance with RoHS Directive:

The product you have purchased complies with EU RoHS Directive (2011/65/EU). It does not contain harmful and prohibited materials specified in the Directive.

Package information

- Packaging materials of the product are manufactured from recyclable materials in accordance with our National Environment Regulations. Do not dispose of the packaging materials together with the domestic or other wastes. Take them to the packaging material collection points designated by the local authorities.

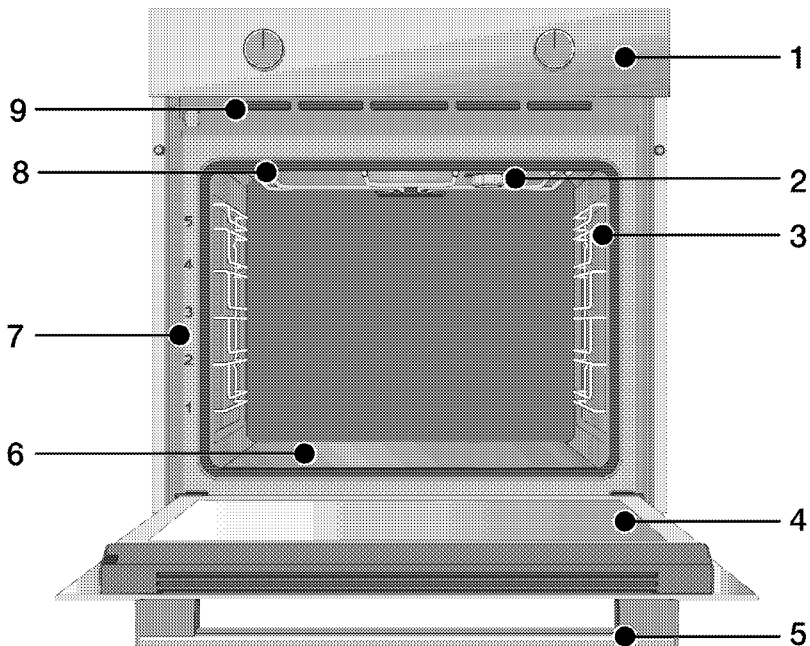
Recommendations for energy saving

The following suggestions will help you use your product in an ecological and energy-efficient way:

- Defrost frozen food before cooking.
- In the oven, use dark or enameled containers that transmit heat better.
- Turn off the product 5 to 10 minutes before the end time of cooking for prolonged cooking. Now you can save up to 20% electricity by using heat.
- If specified in the recipe or user manual, always preheat. Do not open the oven door frequently during cooking.
- Try to cook more than one dish at a time in the oven. You can cook at the same time by placing two cooking containers on the wire shelf. In addition, if you cook your meals one after the other, it will save energy because the oven will not lose its heat.

3 Your product

Product introduction



- 1 Control panel
- 2 Lamp*
- 3 Wire shelves**
- 4 Door
- 5 Handle
- 6 Bottom heater (bottom steel plate)
- 7 Shelf positions
- 8 Top heater
- 9 Ventilation holes

* It depends on the model. Your product may not have a lamp, or the type and location of the lamp may differ from the illustration.

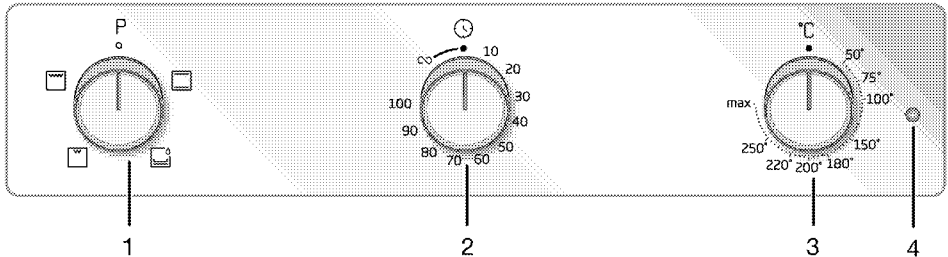
** It depends on the model. Your product may be without wire shelves. In the illustration, wire shelves are shown as examples.

Product control panel

introduction and usage

In this section, you can find the overview and basic uses of the product's control panel. There may be differences in images and some features depending on the type of product.

Oven control



- 1 Function selection knob
- 2 Timer knob
- 3 Temperature knob
- 4 Thermostat lamp

If there are knob (s) controlling your product, these knob (s) may be recessed in the panel that come out when pressed in on some models. For settings to be made with these knobs, first push the relevant knob in and pull out the knob. After making your adjustment, press it in again and replace the knob.

Function selection knob

You can select the oven operating functions with the function selection knob. Turn left / right from closed (top) position to select.

Temperature knob

You can select the temperature you want to cook with the temperature knob. Turn clockwise from the closed (top) position to select.

Temperature indicator

You can understand the oven interior temperature from the temperature lamp. The temperature lamp is located on the control panel. The temperature lamp turns on when the product starts, and the temperature lamp turns off when it reaches the set temperature. When the temperature inside the oven drops below the set temperature, the temperature lamp turns on again.






Timer

You can cook by setting a certain cooking time with the timer knob. If you turn the knob to the ∞ symbol, you can cook manually (under your control).

Indicator	Description
10-100	Adjustable cooking time
∞	Manual cooking symbol

Oven operating functions

On the function table; the operating functions you can use in your oven and the highest and lowest temperatures that can be set for these functions are shown. The order of the operating modes shown here may differ from the arrangement on your product.

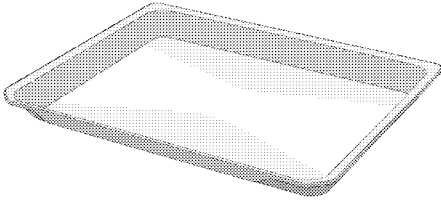
Function symbol	Function description	Temperature range (°C)	Description and use
	Top and bottom heating	*	Food is heated from above and below at the same time. Suitable for cakes and stews in baking molds or cakes and pastries. Cooking is done with a single tray.
 	Bottom heating	*	Only lower heating is on. It is suitable for pizza and foods that need browning on the bottom. This function should also be used for easy steam cleaning.
	Low grill	*	The small grill on the oven ceiling works. It is suitable for grilling smaller amounts.
	Full grill	*	The large grill on the oven ceiling works. It is suitable for grilling in large amounts.

* Your product operates in the temperature range specified on the temperature knob.

Product accessories

There are various accessories in your product. In this section, the description of the accessories and the descriptions of the correct usage are available. Depending on the product model, the supplied accessory varies. All accessories described in the user guide may not be available in your product.

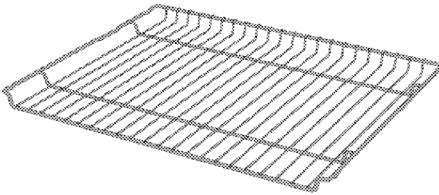
NOTICE : The trays in your product may be deformed by the effect of the temperature. This has no effect on the function. Deformation disappears when the tray cools down.



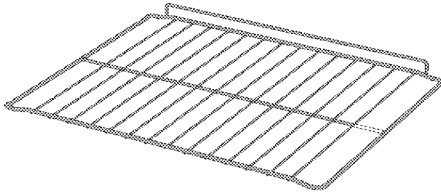
Standard tray

It is used for pastries, frozen foods and frying large pieces.

Models with wire shelves:



Models without wire shelves:



Wire grill

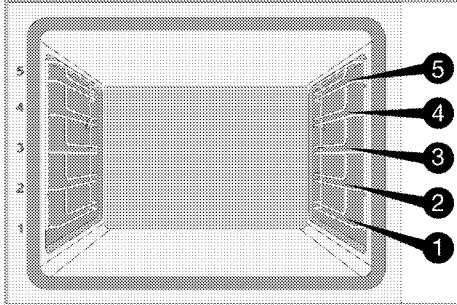
It is used for frying or placing the food to be baked, fried and stewed on the desired shelf.

Use of product accessories

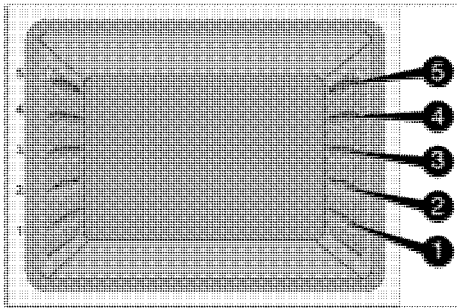
Cooking shelves

There are 5 levels of shelf position in the cooking area. You can also see the order of the shelves in the numbers on the front frame of the oven.

Models with wire shelves



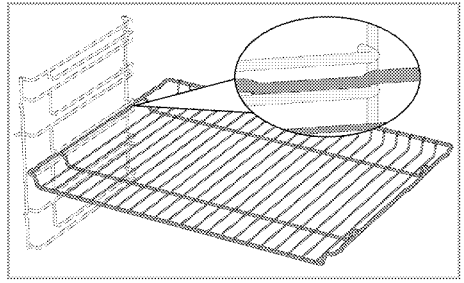
Models without wire shelves



Placing the wire grill on the cooking shelves

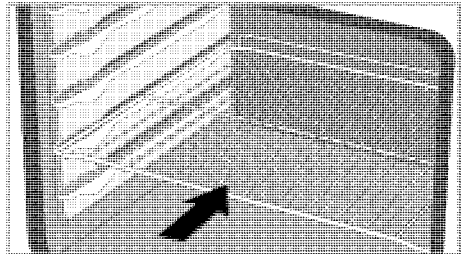
Models with wire shelves:

It is crucial to place the wire grill on the wire side shelves properly. While placing the wire grill on the desired shelf, the open section must be on the front. For better cooking, the wire grill must be secured with the stopper on the wire shelf. It must not pass over the stopper to contact with the rear wall of the oven.



Models without wire shelves:

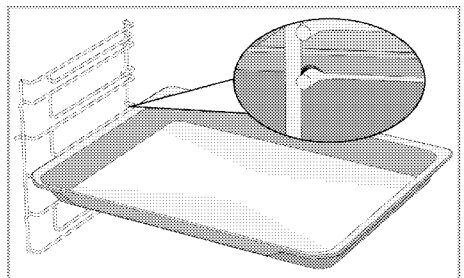
It is crucial to place the wire grill on the side shelves properly. The wire grill has one direction when placing it on the shelf. While placing the wire grill on the desired shelf, the open section must be on the front.



Placing the tray on the cooking shelves

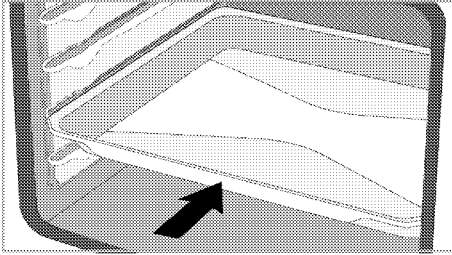
Models with wire shelves:

It is also crucial to place the trays on the wire side shelves properly. While placing the tray on the desired shelf, its side designed for holding must be on the front. For better cooking, the tray must be secured with the stopper on the wire shelf. It must not pass over the stopper to contact with the rear wall of the oven.



Models without wire shelves:

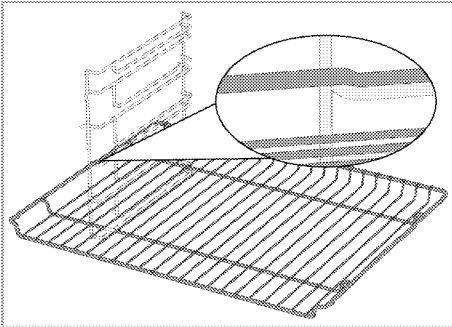
It is also crucial to place the trays on the side shelves properly. The tray has one direction when placing it on the shelf. While placing the tray on the desired shelf, its side designed for holding must be on the front.



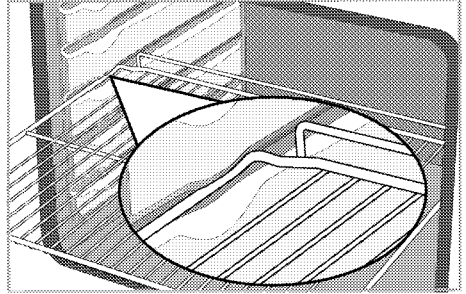
Stopper function of the wire grill

There is a stopper function to prevent the wire grill from tipping out of the wire shelf. With this function, you can easily and safely take out your food. While removing the wire grill, you can pull it forward until it reaches the stopper. You must pass over the stopper to remove it completely.

Models with wire shelves

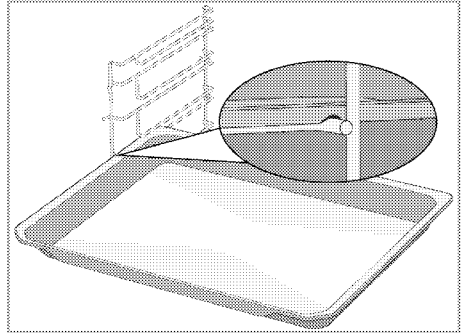


Models without wire shelves



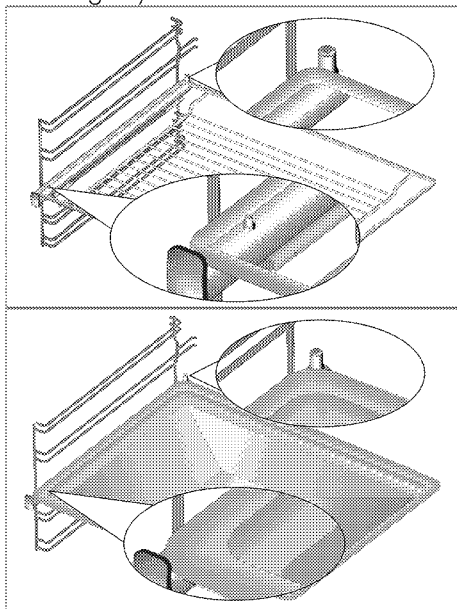
Stopper function of the wire grill tray - Models with wire shelves

There is also a stopper function to prevent the tray from tipping out of the wire shelf. While removing the tray, release it from the rear lock and pull it towards yourself until it reaches the stopper. You must pass over the stopper to remove it completely.



Proper placement of the wire grill and tray on the telescopic rails- Models with wire shelves and telescopic rails

Thanks to telescopic rails, trays or the wire grill can be easily installed and removed. When using trays and wire grills with the telescopic rail, care should be taken that the pins, on the front and back of the telescopic rails, rest against the edges of the grill and the tray (shown in the figure).



Technical specifications

General specifications

Product external dimensions (height/width/depth)	595 mm/594 mm/567 mm
Oven installation dimensions (height/width/depth)	590 or 600 mm/560 mm/min. 550 mm
Voltage / frequency	220-240 V ~ 50 Hz
Cable type and cross section used / suitable for use in the product	min. H05VV-FG/3 x 1,5 mm ²
Total power consumption	2.4 kW
Oven type	Conventional oven

Basics: Information on the energy label of electrical ovens is given in accordance with the EN 60350-1 / IEC 60350-1 standard. Those values are determined under standard load with bottom-top heater or fan assisted heating (if any) functions.

Energy efficiency class is determined in accordance with the following prioritization depending on whether the relevant functions exist on the product or not: 1-Eco fan heating, 2-Fan Heating 3- Fan assisted low grill, 4-Top and bottom heating.



Technical specifications may be changed without prior notice to improve the quality of the product.



Figures in this manual are schematic and may not exactly match your product.



Values stated on the product labels or in the documentation accompanying it are obtained in laboratory conditions in accordance with relevant standards. Depending on operational and environmental conditions of the product, these values may vary.

4 First use

Before you start using your product, it is recommended to do the following in the following sections.

First time setting

- i** Always set the time of day before using your oven. If you do not set it, you cannot cook in some oven models.

First cleaning

1. Remove all packaging materials.
2. Remove all accessories from the oven provided within the product.
3. Turn the product on for 30 minutes and then, turn it off. This way, residues and layers that may have remained in the oven during production are burned and cleaned.
4. When operating the product, select the highest temperature and the operating function that all the heaters in your product operate. See "Oven operating functions". You can learn how to operate the oven in the following section.
5. Wait for the oven to cool.

6. Wipe the surfaces of the product with a wet cloth or sponge and dry with a cloth.

Before using the accessories;

Clean the accessories you remove from the oven with detergent water and a soft cleaning sponge.

NOTICE The surface might get damaged by some detergents or cleaning materials. Do not use aggressive detergents, cleaning powders/creams or any sharp objects during cleaning.

NOTICE Smoke and smell may emit for a couple of hours during the initial operation. This is quite normal. Ensure that the room is well ventilated to remove the smoke and smell. Avoid directly inhaling the smoke and the smell that emits.

5 How to operate the oven

General information on oven usage

Cooling fan

Your product has a cooling fan. The cooling fan is activated automatically when necessary and cools both the front of the product and the furniture. It is automatically deactivated when the cooling process is finished. Hot air comes out over the oven door. Do not cover these ventilation openings with anything. Otherwise, the oven may overheat.

The cooling fan continues to operate during oven operation or after the oven is turned off (approximately 20-30 minutes). If you cook by programming the oven timer, at the end of the cooking time, the cooling fan turns off with all functions. The cooling fan running time cannot be determined by the user. It turns on and off automatically. This is not an error.

Oven lighting

The oven lamp is turned on when the oven starts cooking. In some models, the lamp is on during cooking, while in some models it turns off after a certain time.

If the product door is opened while the oven is operating or in the closed position, the oven lamp turns on automatically.

Operation of the oven control unit

Turning on the oven

When you select a operating function you want to cook with using the function selection knob and set a certain temperature with using the temperature knob, the oven starts operating. You should turn the timer knob to a specific

cooking time or ∞ symbol to start the operating of oven.

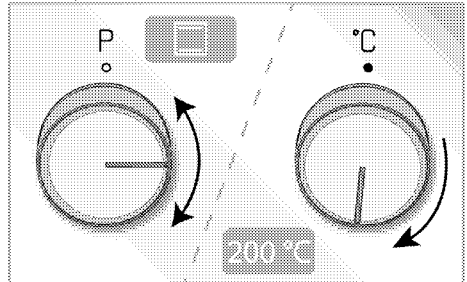
Turning off the oven

You can turn the oven off by turning the function selection, temperature and timer knobs to the off (up) position.

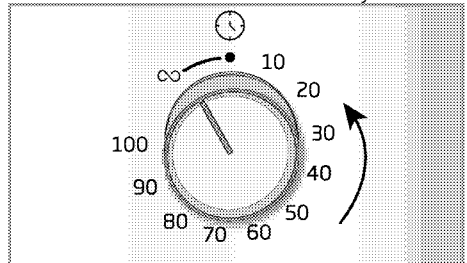
Manual cooking to select temperature and oven operating function

You can cook by making a manual control (at your own control) without setting the cooking time by selecting the temperature and operating function specific to your food.

Example:



1. Select the operating function you want to cook using the function selection knob.
2. Set the temperature you want to cook using the temperature knob.
3. Turn the timer knob to ∞ symbol.



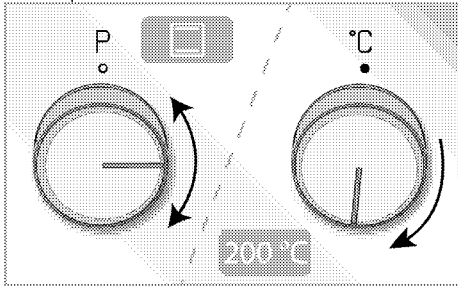
» Your oven will start operating immediately at the selected function and temperature, and the temperature lamp will light up. When the temperature inside the oven reaches the set

temperature, the temperature lamp turns off. The oven does not switch off automatically after starting cooking. You have to control cooking yourself and turn it off. When your cooking is completed, turn off the oven by turning the function selection, temperature and timer knobs to the off (up) position.

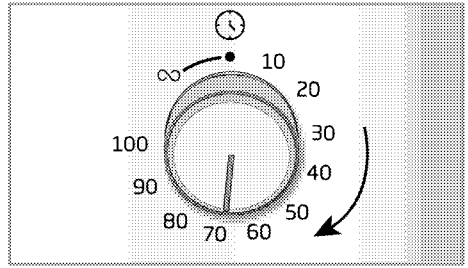
Cooking by setting the cooking time;

You can have the oven turn off automatically at the end of the time by selecting the temperature and operating function specific to your food and setting the cooking time on the timer.

Example:



1. Select the operating function you want to cook using the function selection knob.
2. Set the temperature you want to cook using the temperature knob.
3. Turn the timer knob to time you want to cook.



» Your oven will start operating immediately at the selected function and temperature, and the temperature lamp will light up. When the temperature inside the oven reaches the set temperature, the temperature lamp turns off.

4. When the cooking time is over, the timer knob automatically rotates counterclockwise. A warning tone sounds and the oven stops cooking.
5. If your cooking is completed, turn the oven off by turning the function selection and temperature knobs to the off (up) position. If you want to continue, turn the timer knob back to a certain cooking time. The oven continues to operate at the set function and temperature.

To turn off cooking earlier than the time you set;

1. Turn the timer knob counter-clockwise until it reaches the off (up) position.
2. Turn the oven off by turning the function selection and temperature knobs to the off (up) position.

6 General information about cooking

This section describes tips on preparing and cooking your food.

In addition, you can also find some of the foods tested as producers and the most appropriate settings for these foods. Appropriate oven settings and accessories for these foods are also indicated.

General warnings about cooking in the oven

- While opening the oven door during or after cooking, hot-burning steam may emerge. The steam may burn your hand, face and / or eyes. When opening the oven door, stay away.
- Intense steam generated during cooking may form condensed water drops on the interior and exterior of the oven and on the upper parts of the furniture due to the temperature difference. This is a normal and physical occurrence.
- The cooking temperature and time values given for foods may vary depending on the recipe and amount. For this reason, these values are given as ranges.
- Always remove unused accessories from the oven before you start cooking. Accessories that will remain in the oven may prevent your food from being cooked at the correct values.
- For foods that you will cook according to your own recipe, you can reference similar foods given in the cooking tables.
- Using the supplied accessories ensures you get the best cooking performance. Always observe the warnings and information provided by the manufacturer for the external cookware you will use.

- Cut the greaseproof paper you will use in your cooking in suitable sizes to the container you will cook. Greaseproof papers that are overflowing from the container can create a risk of burns and affect the quality of your cooking. Use the greaseproof paper you will use in the temperature range specified.
- For good cooking performance, place your food on the recommended correct shelf. Do not change the shelf position during cooking.

Pastries and oven food

General Information

- We recommend using the accessories of the product for a good cooking performance. If you are going to use an external cookware, prefer dark, non-sticking and heat resistant ware.
- If preheating is recommended in the cooking table, be sure to put your food in the oven after preheating.
- If you are going to cook using cookware on the wire grill, place it in the middle of the wire grill, not near the back wall.
- All materials used in making pastry should be fresh and at room temperature.
- The cooking status of the products may vary depending on the amount of food and the size of the cookware.
- The values specified in the cooking tables are determined as a result of the tests carried out in our laboratories. Values suitable for you may differ from these values.
- Place your food on the appropriate shelf recommended in the cooking table. Refer to the bottom shelf of the oven as shelf 1.

Tips for baking cakes

- If the cake is too dry, increase the temperature by 10 ° C and shorten the baking time.
- If the cake is moist, use a small amount of liquid or reduce the temperature by 10 ° C.
- If the top of the cake is burnt, put it on the lower shelf, lower the temperature and increase the baking time.
- If it is cooked well inside but the outside is sticky, use a smaller amount of liquid, reduce the temperature and increase the cooking time.

Tips for cooking pastries

- If the pastry is too dry, increase the temperature by 10 ° C and shorten the cooking time. Wet the dough

sheets with a sauce consisting of milk, oil, egg and yoghurt mixture.

- If the pastry is getting cooked slowly, make sure that the thickness of the pastry you have prepared does not overflow the tray.
- If the pastry is browned on the surface but the bottom is not cooked, make sure that the amount of sauce you will use for the pastry is not too much at the bottom of the pastry. For an even browning, try to spread the sauce evenly between the dough sheets and the pastry.
- Bake your pastry in the position and temperature appropriate to the cooking table. If the bottom is still not browned enough, place it on a bottom shelf for the next cooking.

Food	Tray amount	Accessory to be used	Operating function	Shelf position	Temperature (°C)	Cooking time (min) (approx.)
Cakes in tray	Single tray	Standard tray*	Top and bottom heating	3	180	30 ... 40
Cakes in mold	Single tray	Cake mold on wire grill**	Top and bottom heating	2	180	30 ... 40
Small cakes	Single tray	Standard tray*	Top and bottom heating	3	160	25 ... 35
Sponge cake	Single tray	Round cake mold, 26 cm in diameter with clamp on wire grill**	Top and bottom heating	2	160	30 ... 40
Cookie	Single tray	Pastry tray*	Top and bottom heating	3	170	25 ... 35
Dough pastry	Single tray	Standard tray*	Top and bottom heating	2	200	35 ... 45
Rich pastry	Single tray	Standard tray*	Top and bottom heating	2	200	20 ... 30
Whole bread	Single tray	Standard tray*	Top and bottom heating	2	200	30 ... 40
Lasagna	Single tray	Glass / metal rectangular container on wire grill**	Top and bottom heating	2 or 3	200	30 ... 40

Food	Tray amount	Accessory to be used	Operating function	Shelf position	Temperature (°C)	Cooking time (min) (approx.)
Apple pie	Single tray	Round black metal mold, 20 cm in diameter on wire grill**	Top and bottom heating	2	180	50 ... 70
Pizza	Single tray	Standard tray*	Top and bottom heating	2	200 ... 220	10 ... 20

Preheating is recommended for all food.

* These accessories may not be included with your product.

** These accessories are not included with your product. They are commercially available accessories.

Meat, Fish and Poultry

The key points on grilling

- Seasoning it with lemon juice and pepper before cooking all chicken, turkey and large pieces of meat will increase cooking performance.
- It takes 15 to 30 minutes more to cook boned meat than fillet by frying.
- You should calculate about 4 to 5 minutes of cooking time per centimeter of the meat thickness.
- After the cooking time is over, leave the meat in the oven for about 10 minutes. The juice of the meat is better distributed to the fried meat and does not come out when the meat is cut.
- Fish should be placed on a medium or low level shelf in a heat resistant plate.

Food	Tray amount	Accessory to be used	Operating function	Shelf position	Temperature (°C)	Cooking time (min) (approx.)
Steak (whole) / Roast (1 kg)	Single tray	Standard tray*	Top and bottom heating	3	15 mins. 250/max, after 180 ... 190	60 ... 80
Lamb's shank (1.5 - 2.0 kg)	Single tray	Standard tray*	Top and bottom heating	3	15 mins. 250/max, after 170	110 ... 120
Roasted chicken (1.8-2 kg)	Single tray	Wire grill* Place one tray on a lower shelf	Top and bottom heating	2	15 mins. 250/max, after 190	60 ... 80
Turkey (5.5 kg)	Single tray	Standard tray*	Top and bottom heating	1	25 mins. 250/max, after 180 ... 190	150 ... 210
Fish	Single tray	Wire grill* Place one tray on a lower shelf	Top and bottom heating	3	200	20 ... 30

Preheating is recommended for all food.

* These accessories may not be included with your product.

** These accessories are not included with your product. They are commercially available accessories.

Grill

Red meat, fish and poultry meat will quickly turn brown when grilled, hold a beautiful crust and do not dry out. Fillet meats, skewer meats, sausages as well as juicy vegetables (tomatoes, onions, etc.) are particularly suitable for grilling.

General warnings

- Food not suitable for grilling carries a fire hazard. Grill only food that is suitable for heavy grill fire. Also, do not place the food too far in the back of the grill. This is the hottest area and fatty foods may catch fire.
- **Close the oven door during grilling. Never grill with the oven door open. Hot surfaces may cause burns!**

The key points of the grill

- Prepare foods of similar thickness and weight as much as possible for the grill.
- Place the pieces to be grilled on the wire grill or wire grill tray by distributing them without exceeding the dimensions of the heater.
- Depending on the thickness of the pieces to be grilled, the cooking times given in the table may vary.
- Slide the wire grill or the wire grill tray to the desired level in the oven. If you are cooking on the wire grill, slide the oven tray to the lower shelf to collect the oils. The oven tray you are going to slide should be sized to cover the entire grill area. This tray may not be included with the product. Put some water into the oven tray for easy cleaning.

Grill table

Food	Accessory to be used	Shelf position	Temperature (°C)	Cooking time (min) (approx.)
Fish	Wire grill	4 - 5	250	20 ... 25
Chicken pieces	Wire grill	4 - 5	250	25 ... 35
Meatball (beef) - 12 pieces	Wire grill	4	250	20 ... 30
Lamb chop	Wire grill	4 - 5	250	20 ... 25
Steak - (sliced)	Wire grill	4 - 5	250	25 ... 30
Veal chop	Wire grill	4 - 5	250	25 ... 30
Vegetable gratin	Wire grill	4 - 5	220	20 ... 30
Toast bread	Wire grill	4	250	1 ... 3

It is recommended to preheat for 5 minutes for all grilled food. Turn pieces of food after 1/2 of the total grilling time.

Test foods

Foods in this cooking table are prepared according to the EN 60350-1 standard to facilitate testing of the product for control institutes.

Food	Tray amount	Accessory to be used	Operating function	Shelf position	Temperature (°C)	Cooking time (min) (approx.)
Shortbread (sweet cookie)	Single tray	Standard tray*	Top and bottom heating	3	140	20 ... 30
Small cakes	Single tray	Standard tray*	Top and bottom heating	3	160	25 ... 35
Sponge cake	Single tray	Round cake mold, 26 cm in diameter with clamp on wire grill**	Top and bottom heating	2	160	30 ... 40
Apple pie	Single tray	Round black metal mold, 20 cm in diameter on wire grill**	Top and bottom heating	2	180	60 ... 80

Preheating is recommended for all food.

* These accessories may not be included with your product.

** These accessories are not included with your product. They are commercially available accessories.

Grill

Food	Accessory to be used	Shelf position	Temperature (°C)	Cooking time (min) (approx.)
Toast bread	Wire grill	4	250	1 ... 3
Meatball (beef) - 12 pieces	Wire grill	4	250	20 ... 30

Turn the food after 1/2 of the total grilling time.

It is recommended to preheat for 5 minutes for all grilled food.

7 Maintenance and care

General cleaning information

▲ General warnings

- Wait for the product to cool before cleaning the product. Hot surfaces may cause burns!
- Service life of the product extends and frequently faced problems decrease if cleaned at regular intervals.
- The product should be thoroughly cleaned after each use. Thus, food residues are easily cleaned and these residues are prevented from burning when the product is used again later.
- Do not use steam cleaning products for cleaning.
- Some detergents or cleaning agents can damage the surface. Do not use abrasive detergents, cleaning powders, cleaning creams or sharp objects during cleaning.
- No special cleaning agent is required for cleaning the product. Clean the product using dishwashing detergent, warm water and a soft cloth or sponge and dry it with a dry cloth.
- Be sure to completely wipe off any remaining liquid after cleaning and immediately clean any food splashing around during cooking.

Inox and stainless surfaces

- Do not use acid or chlorine-containing cleaning agents to clean stainless or inox surfaces and handles.
- Clean with a soft soapy cloth and liquid (non-scratching) detergent, taking care to wipe in one direction.
- Over time, slight discoloration may occur on inox and stainless surfaces. It does not affect the operation of this product.

- Remove lime, oil, starch and protein stains on the surfaces immediately without waiting. Stains may rust under long periods of time.

Enameled surfaces

- After use, clean the enamel surfaces using dishwashing detergent, warm water and a soft cloth or sponge and dry them with a dry cloth.
- If your product has an easy steam cleaning function, you can make easy steam cleaning for light non-permanent dirt. (See the "Easy steam cleaning" section)
- In case of excessive contamination with food residues burnt on the surface, use stainless steel wire wool and oven cleaner.
- You can obtain the oven cleaner recommended for enamel surfaces from an authorized service. Do not use an external oven cleaner.
- The oven must cool down for cleaning in the cooking area. Cleaning on hot surfaces will create both fire hazard and damage with enamel surface.

Catalytic surfaces

- The side walls in the cooking area can only be covered with enamel or catalytic walls. It varies by model.
- The catalytic walls have a light matte and porous surface. The catalytic walls of the oven should not be cleaned.
- Catalytic surfaces absorb oil thanks to its porous structure and start to shine when the surface is saturated with oil, in this case it is recommended to replace the parts.

Glass surfaces

- When cleaning glass surfaces, do not use hard metal scrapers and abrasive

cleaning materials. They can damage the glass surface.

- Clean with dishwashing detergent, warm water and a soft cloth or sponge and dry it with a dry cloth.
- If there is residual detergent after cleaning, wipe it with cold water and dry it with a soft cloth. Residual detergent residue may damage the glass surface next time.
- Under no circumstances should the dried-up residue on the glass surface be peeled off with serrated knives, wire wool or similar scratching tools.
- You can remove the calcium stains (yellow stains) on the glass surface with the commercially available descaling agent, with a descaling agent such as vinegar or lemon juice.
- If the surface is heavily soiled, apply a sponge to the cleaner and wait a long time for it to work properly. Then clean the glass surface with a wet cloth.
- Discolorations and stains on the glass surface are normal and not defects.

Plastic parts and painted surfaces

- Clean plastic parts and painted surfaces using dishwashing detergent, warm water and a soft cloth or sponge and dry them with a dry cloth.
- Do not use hard metal scrapers and abrasive cleaners. It may damage the surfaces.

Cleaning the accessories

Unless otherwise stated in the user manual, do not wash the product accessories in the dishwasher.

Cleaning the control panel

- When cleaning the control panels from the button, wipe the panel and buttons with a damp soft cloth and dry with a dry cloth. Do not remove the buttons and gaskets underneath

to clean the panel. The control panel and buttons may be damaged.

- Clean the touch control panels with a damp soft cloth and dry with a dry cloth. If your product has a key lock feature, set the key lock before performing control panel cleaning. Otherwise, incorrect detection may occur on the keys.

Cleaning the inside of the oven (cooking area)

Follow the cleaning steps described in the "General cleaning information" section according to the surface types in your oven.

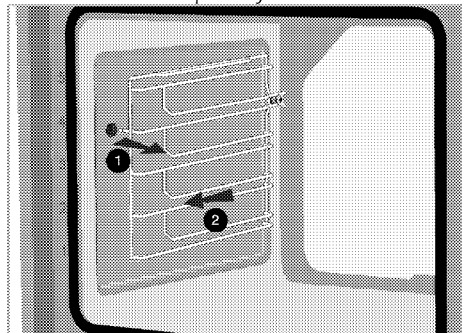
Cleaning the side walls of the oven

The side walls in the cooking area can only be covered with enamel or catalytic walls. It varies by model. If there is a catalytic wall, refer to the "Catalytic walls" section for information.

If your product is a wire shelf model, remove the wire shelves before cleaning your side walls. Then complete the cleaning as described in the "General cleaning information" section according to the side wall surface type.

To remove the side wire shelves:

1. Remove the front of the wire shelf by pulling it on the side wall in the opposite direction.
2. Pull the wire shelf towards you to remove it completely.

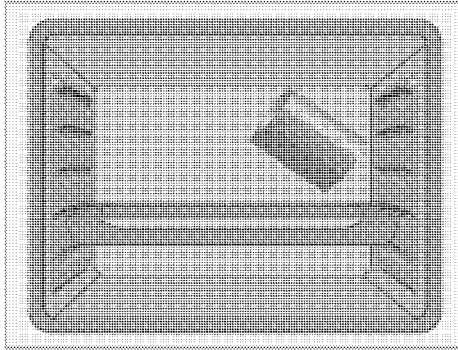


- To reattach the shelves, the procedures applied when removing them must be repeated from the end to the beginning, respectively.

Easy Steam Cleaning

It ensures easy cleaning because the dirt (having waited not for too long) is softened with the steam that forms inside the oven and the water drops condensing on the inner surfaces of the oven.

- Remove all accessories inside the oven.
- Pour 500 ml of water into the oven tray and place the tray at the 2nd rack of the oven.



- Set the oven to easy steam cleaning mode and run at 100°C for 25 minutes.
- Open the door immediately and wipe the inner surfaces of the oven with a damp sponge or cloth. When opening the door, steam will escape. This can create a risk of burning. Be careful when opening the oven door.
- Use warm water with washing liquid, a soft cloth or sponge to clean the persistent dirt and wipe it with a dry cloth.

- i** During the easy steam cleaning mode, water that is placed in the tray to soften lightly formed residues/dirt within the oven cavity will evaporate and condense in the oven cavity and inner glass of the oven door, therefore water may drip when the oven door is opened. Wipe away the condensation as soon as the oven door is opened.

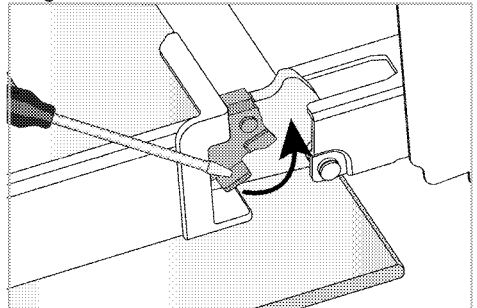
Cleaning the oven door

- i** Do not use harsh abrasive cleaners, metal scrapers, wire wool or bleach materials to clean the oven door and glass.

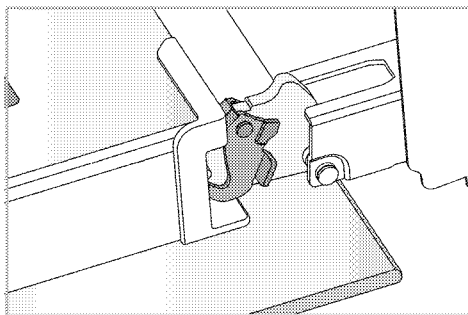
You can remove your oven door and door glasses to clean them. How to remove the doors and windows is explained in the sections "Removing the oven door" and "Removing the inner glasses of the door". After removing the door inner glasses, clean them using a dishwashing detergent, warm water and a soft cloth or sponge and dry them with a dry cloth.

Removing the oven door

- Open the oven door.
- Open the clips in the front door hinge socket on the right and left by pressing downwards as shown in the figure.

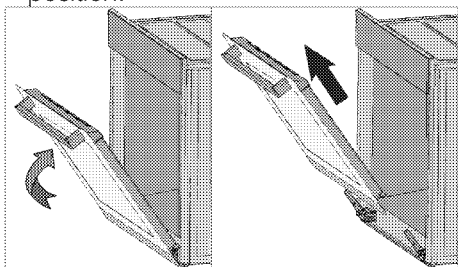


Hinge lock - closed position



Hinge lock - open position

3. Get the oven door to a half-open position.



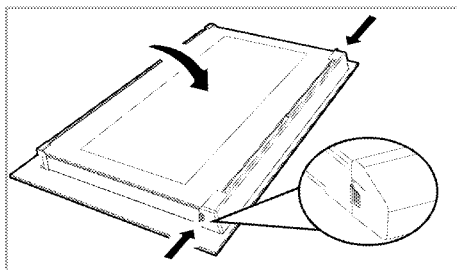
4. Pull the removed door upwards to release it from the right and left hinges and remove it.

i To reattach the door, the procedures applied when removing it must be repeated from the end to the beginning, respectively. When installing the door, be sure to close the clips on the hinge socket.

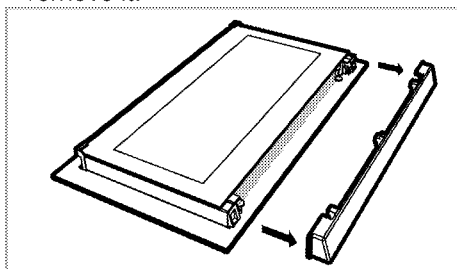
Removing the inner glass of the oven door

Inner glass of the product's front door of may be removed for cleaning.

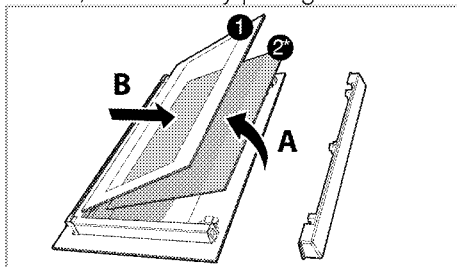
1. Open the oven door.



2. Pull the plastic component, attached on the upper section of the front door, towards yourself by simultaneously pressing on the pressure points on both sides of the component and remove it.



3. As shown in the figure, gently lift the innermost glass (1) towards 'A' and then, remove it by pulling towards 'B'.



1 Innermost glass panel

2* Inner glass panel (It may not exist on your product.)

4. If your product has an inner glass (2), repeat the same process to detach it (2).

5. The first step of regrouping the door is to reassemble the inner glass (2). Place the beveled edge of the glass to meet the beveled edge of the plastic

slot. (If your product has an inner glass). Inner glass (2) must be attached to the plastic slot closest to the innermost glass (1).

6. While reassembling the innermost glass (1), pay attention to place the printed side of the glass on the inner glass. It is crucial to place the lower corners of the innermost glass (1) to meet the lower plastic slots.
7. Push the plastic component towards the frame until a "click" sound is heard.

Cleaning the oven lamp

In the event that the glass door of the oven lamp in the cooking area becomes dirty; clean using dishwashing detergent, warm water and a soft cloth or sponge and dry with a dry cloth. In case of oven lamp failure, you can replace the oven lamp by following the sections that follow.

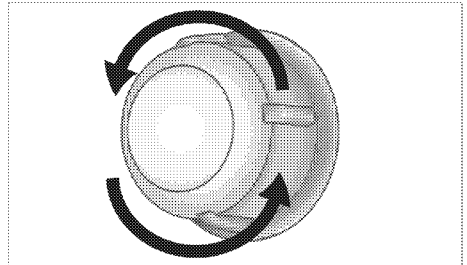
Replacing the oven lamp

⚠ General warnings

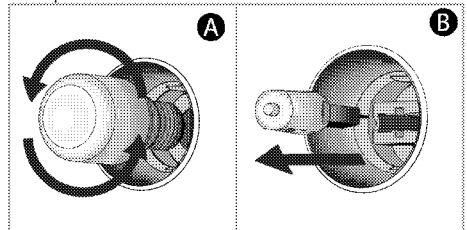
- To avoid the risk of electric shock before replacing the oven lamp, disconnect the electrical connector and wait for the oven to cool. Hot surfaces may cause burns!
- The oven lamp is a special electric bulb resistant to 300 ° C. Oven lamps can be obtained from Authorized Services.
- The position of the lamp may differ from that is shown in the figure.
- The lamp used in this product is not suitable for use in the lighting of home rooms. The purpose of this lamp is to help the user see food products.
- The lamps used in this product must withstand extreme physical conditions such as temperatures above 50 ° C.

If your oven has a round lamp,

1. Disconnect the product from the electricity.
2. Remove the glass cover by turning it counterclockwise.



3. If your oven lamp is type (A) shown in the figure below, rotate the oven lamp as shown in the figure and replace it with a new one. If type (B) is a model, pull it out as shown in the figure and replace it with a new one.



4. Refit the glass cover.

If your oven has a square lamp,

1. Disconnect the product from the electricity.
2. Remove the wire shelves according to the description.
3. Lift the lamp's protective glass cover with a screwdriver.
4. If your oven lamp is type (A) shown in the figure below, rotate the oven lamp as shown in the figure and replace it with a new one. If type (B) is a model, pull it out as shown in the figure and replace it with a new one.
5. Refit the glass cover and wire shelves.

8 Troubleshooting

Consult the Authorised Service Agent or technician with license or the dealer where you have purchased the product if you cannot remedy the trouble although you have implemented the instructions in this section. Never attempt to repair a defective product yourself.

Oven emits steam when it is in use.

- It is normal that steam escapes during operation. >>> *This is not a fault.*

Water drops occur during cooking.

- The vapour that arises during cooking can condense and form water droplets when it hits cold surfaces of the product. >>> *This is not a fault.*

Product emits metal noises while heating and cooling.

- When the metal parts are heated, they may expand and cause noise. >>> *This is not a fault.*

Product does not operate.

- The mains fuse is defective or has tripped. >>> *Check fuses in the fuse box. If necessary, replace or reset them.*
- Product is not plugged into the (grounded) socket. >>> *Check the plug connection.*
- Buttons/knobs/keys on the control panel do not function. >>> *If your product equipped with key lock function, keylock may be enabled. Please disable it.*

Oven light does not work.

- Oven lamp is defective. >>> *Replace oven lamp.*
- Power is cut. >>> *Check if there is power. Check the fuses in the fuse box. If necessary, replace or reset the fuses.*

Oven does not heat.

- Might not be set to a certain cooking function and/or temperature. >>> *Set the oven to a certain cooking function and/or temperature.*
- In models equipped with a timer, the timer is not adjusted. >>> *Adjust the time.*
- Power is cut. >>> *Check if there is power. Check the fuses in the fuse box. If necessary, replace or reset the fuses.*

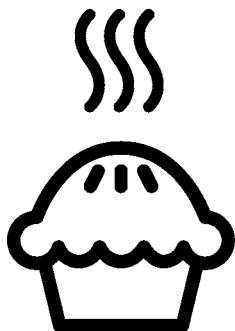
(In models with timer) Clock display is blinking or clock symbol is on.

- A previous power outage has occurred. >>> *Adjust the time / Switch of the product and switch it on again.*



Cuptor încorporabil

Manual de utilizare



RO

Stimate client,

Vă rugăm să citiți acest manual înainte de a utiliza produsul.

Beko Vă mulțumim că ați ales acest produs! Dorim ca produsul dumneavoastră, fabricat cu tehnologie și la o calitate înaltă, să vă ofere o eficiență optimă. Pentru aceasta, studiați cu atenție acest manual și orice altă documentație furnizată, înainte de a utiliza produsul și păstrați pentru consultarea ulterioară. Dacă transferați produsul altcuiva, transmiteți și manualul împreună cu acesta. Urmați instrucțiunile, ținând cont de toate informațiile și avertismentele din manualul de utilizare.

Respectați toate informațiile și avertismentele din manualul de utilizare. Astfel, vă protejați pe dumneavoastră și aparatul împotriva pericolelor care pot apărea.

Păstrați manualul de utilizare. Dacă transferați produsul altcuiva, transmiteți și manualul împreună cu acesta.

Manualul de utilizare conține următoarele simboluri:



Pericole care pot provoca vătămarea sau decesul.

NOTICE Pericole care pot provoca defectarea produsului sau compromiterea mediului acestuia.



Pericole care pot conduce la arsuri din cauza contactului cu suprafețele fierbinți.



Informații importante și indicații utile.



Citiți cu atenție manualul de utilizare!



Arçelik A.Ş.
Karağaç caddesi No:2-6
34445 Sütlüce/Istanbul/TURKEY
Made in TURKEY

1 Instrucțiuni de siguranță 4

Scopul utilizării.....	4
Siguranța copiilor, a persoanelor vulnerabile și a animalelor de companie.....	5
Siguranța electrică.....	5
Siguranța transportului.....	7
Siguranța instalării.....	7
Siguranța utilizării.....	7
Avertismente privind temperatura.....	8
Utilizarea accesoriilor.....	9
Siguranța preparării.....	9
Siguranța legată de întreținere și curățare.....	10

2 Instrucțiuni privind protecția mediului 11

Regulamentul privind deșeurile.....	11
Conformitate cu Directiva WEEE și depozitarea la deșeurii a produsului uzat.....	11
Depozitarea la deșeurii a materialelor de ambalare.....	11
Recomandări pentru economisirea energiei.....	11

3 Produsul dumneavoastră 12

Prezentarea produsului.....	12
Introducerea și utilizarea panoului de control al aparatului.....	13
Controlul cuptorului.....	13
Funcțiile de operare a cuptorului.....	14
Accesoriile produsului.....	15
Utilizarea accesoriilor produsului.....	16
Specificații tehnice.....	19

4 Prima utilizare 20

Prima setare.....	20
Prima curățare.....	20

5 Utilizarea cuptorului 21

Informații generale despre utilizarea cuptorului.....	21
Funcționarea unității de control a cuptorului.....	21

6 Informații generale privind gătitul 23

Avertismente generale privind coacerea în cuptor.....	23
Produse de patiserie și mâncare la cuptor.....	23
Carne, pește și pui.....	25
Grăitoare.....	26
Rețete de test.....	27

7 Întreținere și curățare 28

Informații generale privind curățarea..	28
Curățarea accesoriilor.....	29
Curățarea panoului de control.....	29
Curățarea interiorului cuptorului (zona de preparare).....	29
Curățarea cu abur (Easy Steam Cleaning).....	30
Curățarea ușii cuptorului.....	30
Îndepărtarea geamului interior al ușii cuptorului.....	31
Curățarea lămpii cuptorului.....	32

8 Depanare 34

1 Instrucțiuni de siguranță

- Această secțiune conține instrucțiuni de siguranță care vor ajuta la prevenirea oricăror riscuri de vătămare corporală sau daune materiale.
- În cazul în care produsul este transferat către o altă persoană sau folosit second-hand, manualul de utilizare, etichetele produsului, alte documente relevante și accesorii trebuie livrate împreună cu produsul.
- Compania noastră nu este responsabilă pentru daunele care ar putea apărea ca urmare a nerespectării acestor instrucțiuni.
- Nerespectarea acestor instrucțiuni anulează orice garanție.
- ⚠️ Lucrările de instalare și reparații trebuie realizate întotdeauna de către producător, serviciul autorizat sau o persoană specificată de către importator.
- ⚠️ Folosiți exclusiv piese de schimb și accesorii originale.
- ⚠️ Nu reparați și nu înlocuiți nicio componentă a produsului decât dacă este

specificat în mod clar în manualul de utilizare.

- ⚠️ Nu realizați modificări tehnice ale produsului.

⚠️ Scopul utilizării

- Acest produs a fost conceput pentru uz casnic. Nu este adecvat pentru uz comercial.
- Nu folosiți produsul în grădini, pe balcoane sau alte medii în aer liber. Aparatul este destinat să fie utilizat în bucătăriile casnice și ale personalului din magazine, birouri și alte medii de lucru.
- **AVERTISMENT:** Acest produs trebuie utilizat exclusiv în scopul gătitului. Nu trebuie folosit în alte scopuri, cum ar fi încălzirea unei încăperi.
- Cuptorul poate fi folosit pentru decongelare, coacere, frigere și prepararea pe grătar a alimentelor.
- Acest produs nu trebuie utilizat pentru încălzire, încălzirea farfuriilor, agățarea prosoapelor sau a hainelor, pentru uscare.

Siguranța copiilor, a persoanelor vulnerabile și a animalelor de companie

- Acest produs poate fi utilizat de copiii cu vârsta peste 8 ani și mai mari, precum și de persoane subdezvoltate din punct de vedere al abilităților fizice, senzoriale sau mentale sau lipsite de experiență și cunoștințe, sub condiția supravegherii sau instruirii cu privire la utilizarea în condiții de siguranță și la riscurile produsului.
- Nu permiteți copiilor să se joace cu aparatul. Curățarea și întreținerea nu trebuie realizate de copii, decât dacă aceștia pot fi supravegheați.
- Acest produs nu trebuie utilizat de către persoane cu capacitate fizică, senzorială sau mentală limitată (inclusiv copii), cu excepția cazului în care beneficiază de supraveghere sau primesc instrucțiunile necesare.
- Copiii trebuie supravegheați pentru a vă asigura că nu se joacă cu aparatul.
- Produsele electrice sunt periculoase pentru copii și animalele de companie. Nu

lăsați copiii sau animalele de companie să se joace, să se cațere sau să pătrundă în interiorul aparatului.

- Nu așezați pe aparat obiecte la care copiii pot ajunge.
- **AVERTISMENT:** În timpul utilizării, suprafețele accesibile ale produsului se încing. Nu lăsați copiii să stea în apropierea aparatului.
- Nu lăsați ambalajele la îndemâna copiilor. Există pericol de vătămare și sufocare.
- Atunci când ușa este deschisă, nu puneți obiecte grele pe aceasta și nu lăsați copiii să se așeze. Puteți provoca răsturnarea cuptorului sau deteriorarea balamalelor ușii.
- Pentru siguranța copiilor, deconectați mufa de alimentare și faceți produsul nefuncțional, înainte de eliminare.

Siguranța electrică

- Conectați produsul la o priză împământată protejată de o siguranță corespunzătoare valorilor nominale indicate pe eticheta aparatului. Instalația de împământare trebuie

realizată de un electrician calificat. Nu folosiți produsul fără împământare, în conformitate cu reglementările locale/naționale.

- Fișa sau conexiunea electrică a produsului trebuie să se afle într-un loc ușor accesibil (la adăpost de flacăra plitei). Dacă acest lucru nu este posibil, trebuie să existe un mecanism (siguranță, comutator, întrerupător etc.) pe instalația electrică la care este conectat produsul, cu respectarea reglementărilor electrice și separarea tuturor polilor de rețea.
- Produsul nu trebuie conectat la priză în timpul instalării, reparării și transportului.
- Nu conectați produsul la o priză care este slăbită, ieșită din soclu, ruptă, murdară, uleioasă, cu risc de contact cu apa (de exemplu, apă scursă de la contor).
- Nu atingeți priza cu mâinile ude! Pentru deconectarea de la priză, prindeți întotdeauna de fișă.
- Asigurați-vă că fișa produsului este bine

conectată la priză, pentru a evita formarea arcului electric.

- Conectați produsul la o priză care corespunde valorilor de tensiune și frecvență specificate pe eticheta aparatului.
- Nu blocați cablul de alimentare dedesubtul și în spatele produsului. Nu așezați obiecte grele pe cablul de alimentare. Cablul de alimentare nu trebuie îndoit, strivit și pus în contact cu nicio sursă de căldură.
- În timpul funcționării cuptorului, suprafața din spate se încinge, de asemenea. Cablurile de alimentare nu trebuie să atingă suprafața din spate, conexiunile pot fi deteriorate.
- Nu blocați cablurile electrice în ușa cuptorului și nu le treceți peste suprafețe care se încing. Puteți provoca scurtcircuitul cuptorului și aprinderea, în urma topirii cablului.
- Utilizați exclusiv cablul original. Nu folosiți cabluri secționare sau deteriorate, sau cabluri prelungitoare.
- În cazul în care cablul de alimentare este deteriorat,

acesta trebuie înlocuit de către un producător, un serviciu autorizat sau o persoană specificată de către compania importatoare, pentru a preveni posibilele pericole.

- **AVERTISMENT:** Înainte de a înlocui becul cuptorului, asigurați-vă că deconectați produsul de la sursa de alimentare, pentru a evita riscul de electrocutare. Deconectați produsul sau dezactivați siguranța, de la panoul de siguranțe.



Siguranța transportului

- Deconectați aparatul de la rețeaua de alimentare înainte de transportare.
- Aparatul este voluminos și greu, este necesară transportarea de către două persoane.
- Nu utilizați ușa și/sau mânerul pentru a transporta sau deplasa produsul.
- Nu așezați alte obiecte pe aparat și transportați în poziție verticală. Aparatul nu trebuie transportat atunci când există apă în el. Acesta poate fi transportat după evacuarea completă a apei

- Atunci când trebuie să transportați aparatul, înfășurați-l cu material de ambalare cu bule sau carton gros și lipiți cu bandă adezivă. Fixați bine aparatul cu bandă adezivă, pentru a preveni deteriorarea părților detașabile sau mobile, sau a produsului.
- Verificați aspectul general al produsului, pentru eventuale daune care s-ar fi putut produce în timpul transportului.



Siguranța instalării

- Înainte de instalarea produsului, verificați dacă există daune. Dacă produsul este deteriorat, nu îl instalați.
- Nu instalați produsul în apropierea surselor de căldură (calorifere, sobe etc.).
- Mențineți toate canalele de ventilație deschise în jurul aparatului.
- Pentru a preveni supraîncălzirea, produsul nu trebuie instalat în spatele ușilor decorative.



Siguranța utilizării

- Asigurați-vă că aparatul este oprit după fiecare utilizare.

- Dacă nu folosiți produsul o perioadă îndelungată, deconectați-l sau opriți siguranța de la panoul de siguranțe.
- Nu folosiți produsul dacă acesta este defect sau deteriorat. Dacă există, decuplați conexiunile electrice/racordurile de alimentare cu gaz ale produsului și contactați serviciul autorizat.
- Nu folosiți produsul cu fără geamul ușii din față, sau dacă geamul este spart.
- Nu urcați pe aparat pentru a ajunge la ceva, sau din orice alt motiv.
- Nu folosiți aparatul în situații în care nu puteți raționa limpede, cum ar fi în cazul consumului de droguri și/sau consumului de alcool.
- Obiectele inflamabile ținute în zona de gătit se pot aprinde. Nu depozitați niciodată obiecte inflamabile în zona de gătit.
- Nu folosiți mânerul cuptorului pentru uscarea prosoapelor. Atunci când folosiți produsul, nu agățați pe acesta prosoape, mănuși sau materiale textile similare.
- Balamalele ușii aparatului se mișcă și se strâng la deschiderea și închiderea ușii. Atunci când deschideți/închideți ușa, nu prindeți de partea cu balamalele.



Avertismente privind temperatura

- **AVERTISMENT:** Părțile expuse ale aparatului devin fierbinți, în timpul utilizării produsului. Nu atingeți produsul și elementele de încălzire. Copiii sub 8 ani nu trebuie să se apropie de aparat în absența unui adult.
- Nu așezați materiale inflamabile/explozive în apropierea produsului, deoarece marginile se încing în timpul funcționării.
- Deoarece se poate degaja abur, păstrați distanța, atunci când deschideți ușa cuptorului. Aburul poate provoca arsuri ale mâinilor, feței și/sau ochilor.
- Produsul se poate încinge în timpul utilizării. Nu atingeți compartimentele fierbinți, părțile interioare ale cuptorului, elementele de încălzire etc.

- Atunci când introduceți sau scoateți mâncarea în/din cuptorul încins, folosiți întotdeauna mănuși termorezistente.

Utilizarea accesoriilor

- Este important ca grătarul și tava să fie amplasate corect pe rafturile de sârmă. Pentru informații detaliate, consultați secțiunea „Utilizarea accesoriilor”.
- Accesoriile pot deteriora geamul ușii la închiderea ușii aparatului. Împingeți întotdeauna accesoriile până la capătul zonei de coacere.

Siguranța preparării

- Aveți grijă la utilizarea alcoolului în prepararea alimentelor. Alcoolul se evaporă la temperaturi ridicate și se poate aprinde, atunci când este expus la suprafețe fierbinți, provocând un incendiu.
- Resturile alimentare, uleiul etc. din zona de gătit se pot aprinde. Înainte de a găti, îndepărtați orice astfel de murdărie grosieră.
- Pericol de toxiinfecție alimentară: Nu lăsați

mâncarea la cuptor mai mult de o oră înainte și după preparare. În caz contrar, pot apărea toxiinfecții alimentare sau îmbolnăvirea.

- Nu încălziți conserve închise și borcane de sticlă. Presiunea acumulată poate provoca explozia borcanului.
- Așezați hârtia de copt într-un vas de gătit sau pe accesoriul cuptorului (tavă, grătar de sârmă etc.) cu mâncarea și introduceți în cuptorul preîncălzit. Îndepărtați orice porțiuni în plus de hârtie de copt de la nivelul accesoriului sau vasului, pentru a evita riscul atingerii elementelor de încălzire ale cuptorului. Nu folosiți niciodată hârtie de copt la o temperatură a cuptorului mai mare decât temperatura maximă de utilizare specificată pe hârtia de copt pe care o utilizați. Nu așezați niciodată hârtie de copt pe fundul cuptorului.
- Nu așezați tăvi de copt, farfurii sau folie de aluminiu direct pe fundul cuptorului. Căldura acumulată poate deteriora baza cuptorului.
- Închideți ușa cuptorului în timpul utilizării grătarului.

Suprafețele fierbinți pot provoca arsuri!

- Alimentele inadecvate pentru prepararea pe grătar prezintă pericol de incendiu. Puneți pe grătar doar alimente adecvate pentru frigerea la foc puternic, pe grătar. De asemenea, nu așezați mâncarea prea departe, respectiv în partea din spate a grătarului. Aceasta este cea mai fierbinte zonă, iar alimentele cu un conținut mare de grăsime se pot aprinde.



Siguranța legată de întreținere și curățare

- Așteptați ca aparatul să se răcească, înainte de a-l

curăța. Suprafețele fierbinți pot provoca arsuri!

- Nu spălați niciodată aparatul pulverizând sau turnând apă pe acesta! Există pericol de electrocutare!
- Nu curățați aparatul cu dispozitive de curățare cu abur, deoarece acestea pot provoca șocuri electrice.
- Nu folosiți produse de curățare abrazive dure, instrumente metalice ascuțite, burete de sârmă sau înălbitori pentru a curăța geamul ușii cuptorului/(dacă există) geamul ușii superioare a cuptorului. Aceste materiale pot provoca zgârierea și spargerea suprafețelor din sticlă.

2 Instrucțiuni privind protecția mediului

Regulamentul privind deșeurile

Conformitate cu Directiva WEEE și depozitarea la deșeurii a produsului uzat



Acest produs respectă Directiva UE WEEE (2012/19/UE). Produsul este marcat cu un simbol de clasificare pentru deșeurii electrice și electronice (WEEE).

Acest produs a fost fabricat folosind piese și materiale de înaltă calitate, care pot fi refofolosite și reciclate. Nu depozitați produsul uzat împreună cu gunoiul menajer la sfârșitul duratei sale de funcționare. Duceți-l la un centru de colectare pentru reciclarea echipamentelor electrice și electronice. Luați legătura cu autoritățile locale pentru a afla informații despre aceste centre de colectare.

Conformitate cu Directiva RoHS:

Produsul pe care l-ați achiziționat respectă Directiva UE RoHS (2011/65/UE). Nu conține materiale dăunătoare și interzise specificate în Directivă.

Depozitarea la deșeurii a materialelor de ambalare

- Materialele de ambalare sunt periculoase pentru copii. Păstrați materialele de ambalare într-un loc sigur, la care copiii nu au acces. Materialele de ambalare ale produsului sunt fabricate din materiale reciclabile. Sortați-le și depozitați-le la deșeurii în mod corect. Nu le depozitați împreună cu gunoiul menajer.

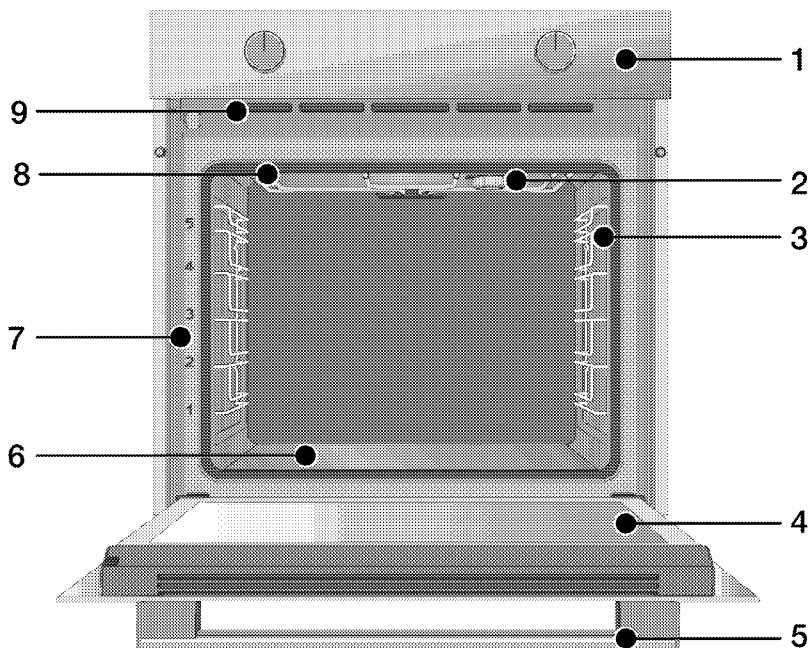
Recomandări pentru economisirea energiei

Următoarele sugestii vă vor ajuta să folosiți produsul în mod ecologic și eficient din punct de vedere energetic:

- Decongețați alimentele congelate înainte de preparare.
- În cuptor, utilizați vase închise la culoare sau emailate, care transmit mai bine căldura.
- Opritiți aparatul cu 5 până la 10 minute înainte de ora încheierii coacerii, pentru prelungirea coacerii. Astfel, puteți economisi până la 20% din energia electrică prin utilizarea căldurii.
- Dacă este specificat în rețetă sau manualul de utilizare, aplicați întotdeauna preîncălzirea. Nu deschideți frecvent ușa cuptorului, în timpul coacerii.
- Încercați să preparați simultan mai multe feluri în cuptor. Puteți coace în același timp, așezând două vase de gătit pe raftul de sârmă. În plus, dacă realizați coacerea felurilor unul după altul, economisiți energie, deoarece cuptorul nu pierde căldura.

3 Produsul dumneavoastră

Prezentarea produsului



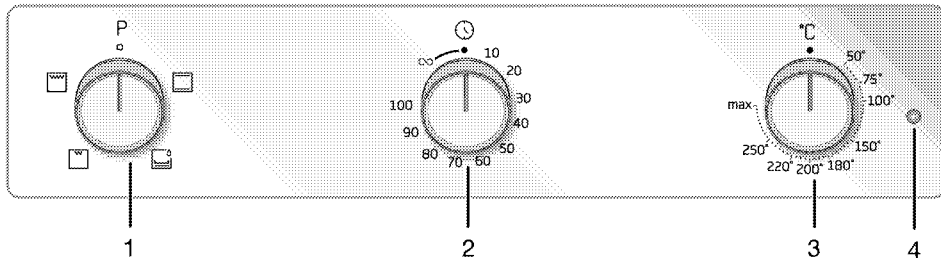
- 1 Panoul de comandă
 - 2 Lampă*
 - 3 Rafturi de sârmă**
 - 4 Ușă
 - 5 Mâner
 - 6 Element de încălzire inferior (placă de oțel la partea de jos)
 - 7 Poziții pe raft
 - 8 Încălzitor superior
 - 9 Orificii de ventilare
- * Depinde de model. Este posibil ca produsul dumneavoastră să nu fie prevăzut cu bec, sau ca tipul și amplasarea becului să difere față de ilustrație.

** Depinde de model. Este posibil ca produsul dumneavoastră să nu fie prevăzut cu rafturi de sârmă. În ilustrație, rafturile cu sârmă sunt prezentate în scopul exemplificării.

Introducerea și utilizarea panoului de control al aparatului

În această secțiune, puteți regăsi prezentarea generală și utilizările de bază ale panoului de control al aparatului. Pot exista diferențe la nivelul imaginilor și al unora dintre caracteristici în funcție de tipul produsului.

Controlul cuptorului



- 1 Buton de selectare funcție
- 2 Buton temporizator
- 3 Buton de temperatură
- 4 Lampă termostat

Dacă există butoane pentru comanda aparatului, acestea pot fi încastate în panou și pot ieși în momentul apăsării, la unele modele. Pentru a realiza setările cu aceste butoane, mai întâi apăsați spre interior butonul relevant, apoi scoateți-l. După efectuarea reglajului, apăsați butonul din nou și restabiliți poziția.

Buton de selectare funcție

Puteți selecta funcțiile de operare a cuptorului cu butonul de selectare a funcției. Rotiți la stânga/dreapta din poziția închis (sus) pentru a selecta.

Buton de temperatură

Puteți selecta temperatura la care doriți să gătiți cu butonul de temperatură al cuptorului. Rotiți în sens orar din poziția închis (sus) pentru a selecta.

Indicator de temperatură

Puteți identifica temperatura interiorului cuptorului cu ajutorul indicatorului luminos de temperatură. Indicatorul luminos de temperatură este amplasat pe panoul de control. Indicatorul luminos de temperatură se aprinde la pornirea aparatului, și se stinge la atingerea temperaturii setate. Atunci când temperatura din interiorul cuptorului scade sub temperatura setată, indicatorul luminos de temperatură se aprinde din nou.





Temporizatorul

Puteți realiza coacerea setând un anumit timp de coacere cu ajutorul butonului temporizatorului. Dacă rotiți butonul către ∞ simbol, puteți realiza prepararea manual (control manual).

Indicator	Descriere
10-100	Timp de preparare reglabil
∞	Simbol coacere manuală

Funcțiile de operare a cuptorului

În tabelul funcțiilor sunt afișate funcțiile de operare pe care le puteți folosi pentru cuptorul dumneavoastră și temperaturile maximă și minimă care pot fi setate pentru aceste funcții. Ordinea modurilor de operare prezentată aici poate varia, în funcție de aranjamentul produsului dumneavoastră.

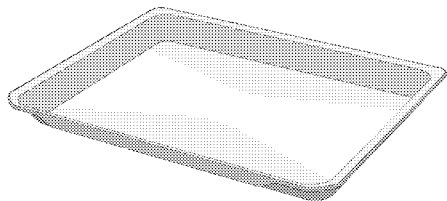
Simbol funcție	Descrierea funcției	Domeniu de temperatură (°C)	Descriere și utilizare
	Încălzire superioară și inferioară	*	Mâncarea este încălzită de sus și de jos, în același timp. Potrivit pentru prăjituri și tocănițe în forme de copt sau prăjituri și produse de patiserie. Coacerea se realizează cu o singură tavă.
	Încălzire inferioară	*	Doar încălzirea de la partea de jos este activă. Este adecvat pentru pizza și pentru alimente care necesită rumenire la partea de jos. Această funcție trebuie folosită și pentru curățarea ușoară cu abur.
	Grătar inferior	*	Grătarul mic din plafonul cuptorului funcționează. Este potrivită pentru frigerea alimentelor de dimensiune mai mică.
	Grătar integral	*	Funcționează grătarul mare din plafonul cuptorului. Este potrivit pentru frigerea alimentelor de dimensiune mai mare.

*Produsul dumneavoastră funcționează în intervalul de temperatură specificat pe butonul de temperatură.

Accesoriile produsului

Produsul dumneavoastră este prevăzut cu diverse accesorii. În această secțiune, sunt disponibile descrierea accesoriilor și descrierea modului corect de utilizare. Accesoriile furnizate diferă în funcție de modelul produsului. Este posibil să nu fie disponibile toate accesoriile descrise în ghidul de utilizare pentru aparatul dumneavoastră.

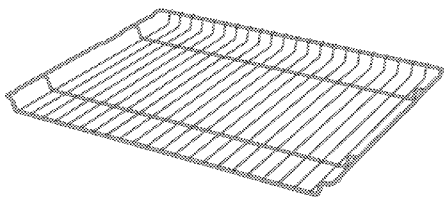
NOTICE : Tăvile aparatului pot fi deformate, prin efectul temperaturii. Acest lucru nu are niciun efect asupra funcționării. Deformarea dispare atunci când tava se răcește.



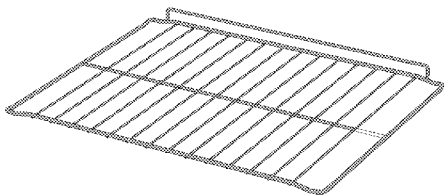
Tavă standard

Se folosește pentru produse de patiserie, alimente congelate și prepararea alimentelor voluminoase.

Modele cu rafturi de sârmă:



Modele fără rafturi de sârmă:



Grătar de sârmă

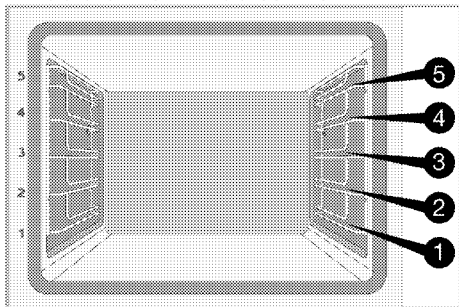
Se folosește pentru frigere sau amplasarea alimentelor care trebuie coapte, fripte sau înăbușite, pe raftul dorit.

Utilizarea accesoriilor produsului

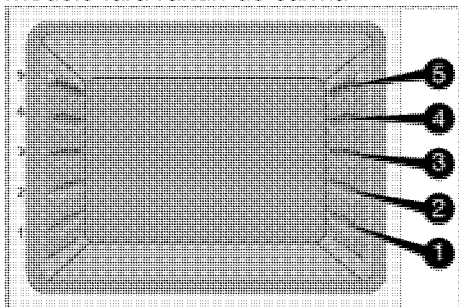
Rafturile de coacere

Există 5 niveluri de poziționare a rafturilor în zona de coacere. Puteți vedea, de asemenea, ordinea rafturilor cu ajutorul numerelor de pe cadrul frontal al cuptorului.

Modele cu rafturi de sârmă



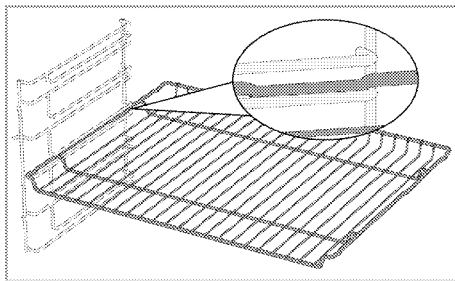
Modele fără rafturi de sârmă



Amplasarea grătarelor de sârmă pe rafturile de coacere

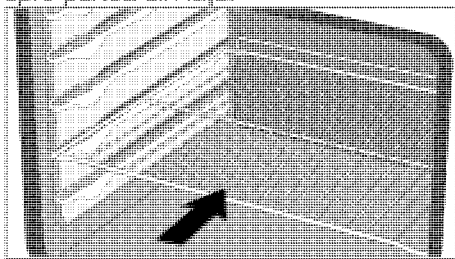
Modele cu rafturi de sârmă:

Este esențial să așezați în mod corespunzător grătarul de sârmă pe suporturile de sârmă laterale. Atunci când așezați grătarul de sârmă pe raftul dorit, secțiunea deschisă trebuie orientată spre partea din față. Pentru o coacere mai bună, grătarul de sârmă trebuie fixat pe raft cu ajutorul opritorului. Aceasta nu trebuie să depășească opritorul, pentru a nu intra în contact cu peretele din spate al cuptorului.



Modele fără rafturi de sârmă:

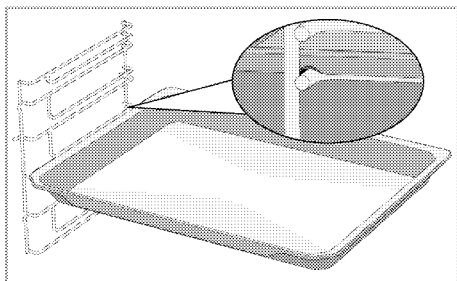
Este esențial să așezați în mod corespunzător grătarul de sârmă pe suporturile de sârmă laterale. Grătarul de sârmă are o singură direcție, atunci când îl așezați pe raft. Atunci când așezați grătarul de sârmă pe raftul dorit, secțiunea deschisă trebuie orientată spre partea din față.



Așezarea tăvii pe rafturile de coacere

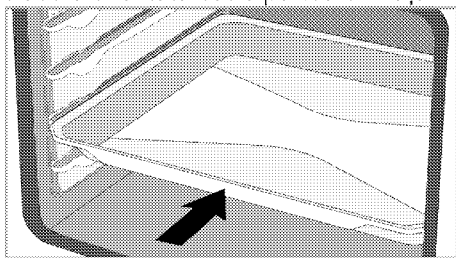
Modele cu rafturi de sârmă:

Este esențial să așezați în mod corespunzător tăvile pe rafturile laterale de sârmă. Atunci când așezați tava pe raftul dorit, partea de prindere a acesteia trebuie orientată către partea din față. Pentru o coacere mai bună, tava trebuie fixată pe raft cu ajutorul opritorului. Aceasta nu trebuie să depășească opritorul, pentru a nu intra în contact cu peretele din spate al cuptorului.



Modele fără rafturi de sârmă:

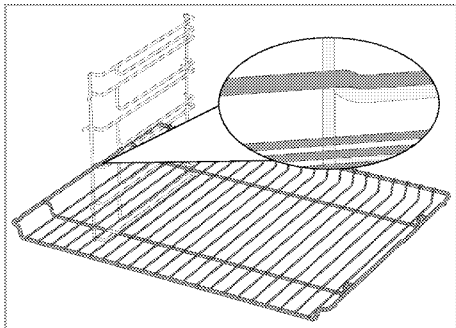
Este esențial să așezați în mod corespunzător tăvile pe rafturi. Tava are o singură direcție, atunci când o așezați pe raft. Atunci când așezați tava pe raftul dorit, partea de prindere a acesteia trebuie orientată către partea din față.



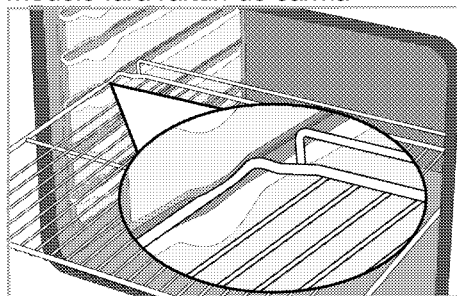
Funcția de oprire a grătarului de sârmă

Există o funcție de oprire care împiedică grătarul de sârmă să cadă de pe raft. Cu această funcție, puteți scoate mâncarea cu ușurință și în siguranță. Atunci când îndepărtați grătarul de sârmă, îl puteți trage în față, până când acesta ajunge la opritor. Trebuie să treceți peste opritor, pentru îndepărtarea completă.

Modele cu rafturi de sârmă

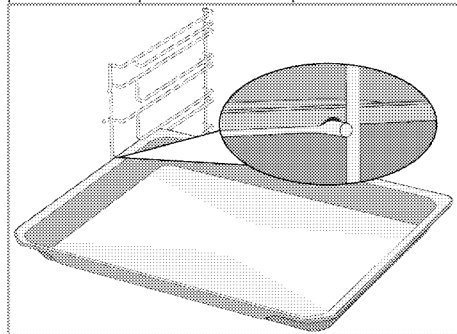


Modele fără rafturi de sârmă



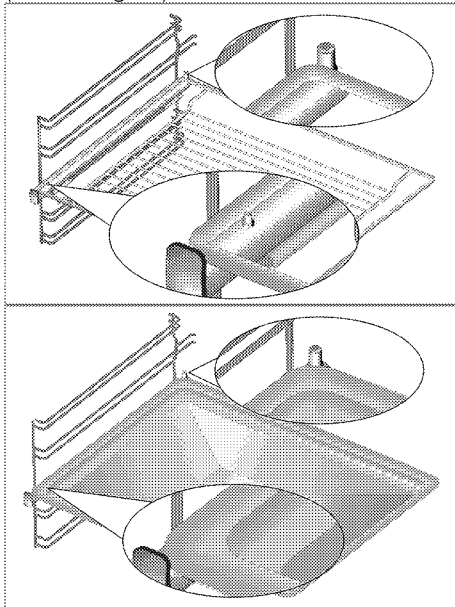
Funcția de oprire a tăvii pe grătarul de sârmă Modele cu rafturi de sârmă

Există o funcție de oprire care împiedică tava să cadă de pe raft. Atunci când îndepărtați tava, eliberați-o de pe blocarea din spate și trageți spre dumneavoastră, până când ajunge la opritor. Trebuie să treceți peste opritor, pentru îndepărtarea completă.



Amplasarea corectă a grătarului și a tăvii pe șinele telescopice Model cu rafturi de sârmă și șine telescopice

Datorită șinelor telescopice, tăvile sau grătarul de sârmă pot fi ușor instalate și îndepărtate. Atunci când folosiți tăvi și grătare de sârmă cu șină telescopică, trebuie să aveți grijă ca știfturile de pe fața și spatele șinelor telescopice, să se sprijine de marginile grătarului și ale tăvii (ca în în figură).



Specificații tehnice

Specificații generale

Dimensiuni exterioare ale produsului (înălțime/lățime/adâncime)	595 mm/594 mm/567 mm
Dimensiuni de instalare cuptor (înălțime/lățime/adâncime)	590 sau 600 mm/560 mm/min. 550 mm
Tensiune/frecvență	220-240 V ~ 50 Hz
Tip de cablu și secțiune transversală folosită/potrivită pentru utilizarea cu produsul	min.H05VV-FG/3 x 1,5 mm ²
Consum total de energie	2.4 kW
Tip cuptor	Cuptor convențional

Noțiuni de bază: Informațiile privind eticheta energetică a cuptoarelor electrice sunt furnizate în conformitate cu standardul EN 60350-1/IEC 60350-1. Aceste valori sunt determinate în condiții de încărcare standard, cu funcții (dacă există) de element de încălzire inferior-superior sau încălzire asistată de ventilator. Clasa de eficiență energetică este determinată în conformitate cu prioritizarea următoare, în funcție de existența sau nu a funcțiilor relevante ale produsului: 1- Încălzire ventilator eco, 2-Încălzire ventilator 3- Grătar inferior asistat de ventilator, 4-Încălzire superioară și inferioară.

- i** Specificațiile tehnice pot fi modificate fără notificare prealabilă pentru a îmbunătăți calitatea produsului.
- i** Imaginile din acest manual sunt schematic și este posibil să nu fie identice cu produsul dumneavoastră.
- i** Valorile indicate pe etichetele produsului sau în documentația aferentă sunt obținute în condiții de laborator în conformitate cu standardele relevante. În funcție de condițiile operaționale și de mediu ale produsului, aceste valori pot varia.

4 Prima utilizare

Înainte de a începe să utilizați produsul, vă recomandăm să realizați următoarele operațiuni, enumerate în secțiunile următoare.

Prima setare

i Setati întotdeauna ora din zi înainte de a folosi cuptorul. Dacă nu o setați, nu puteți găti în unele modele de cuptor.

Prima curățare

- 1.Îndepărtați toate materialele de ambalare.
- 2.Scoateți toate accesoriile din cuptor, furnizate împreună cu produsul.
- 3.Porniți produsul timp de 30 de minute, apoi opriți-l. Astfel, resturile și petele care pot fi rămase în cuptor în timpul coacerii sunt arse și curățate.
- 4.Atunci când folosiți produsul, selectați cea mai ridicată temperatură și funcția de operare pentru utilizarea tuturor elementelor de încălzire din aparatul dumneavoastră. A se vedea „Funcții de operare ale cuptorului”. Puteți afla modul de utilizare a cuptorului, în secțiunea următoare.
- 5.Așteptați răcirea cuptorului.

6.Ștergeți suprafețele produsului cu o cârpă umedă sau cu un burete și uscați cu o cârpă.

Înainte de utilizarea accesoriilor;

Curățați accesoriile pe care le scoateți din cuptor cu soluție de apă și detergent și cu un burete moale.

NOTICE Suprafața poate fi deteriorată de unii detergenți sau materiale de curățare. Nu folosiți obiecte ascuțite, prafuri / creme de curățare sau detergenți agresivi.

NOTICE Este posibil ca timp de câteva ore după prima pornire, cuptorul să emită fum și mirosuri. Acesta este un fenomen normal. Ventilați bine încăperea pentru a elimina fumul și mirosurile. Evitați inhalarea directă a fumului și a mirosului emis.

5 Utilizarea cuptorului

Informații generale despre utilizarea cuptorului

Ventilator de răcire

Aparatul este prevăzut cu un ventilator de răcire. Ventilatorul de răcire este activat automat, atunci când este necesar și răcește atât partea din față a produsului, cât și mobilierul. Acesta este dezactivat automat, la terminarea procesului de răcire. Aerul cald iese pe la partea de sus a ușii cuptorului. Nu acoperiți aceste deschideri de ventilație cu nimic. În caz contrar, cuptorul se poate supraîncălzi.

Ventilatorul de răcire continuă să funcționeze în timpul funcționării cuptorului sau după oprirea cuptorului (aproximativ 20-30 minute). Dacă gătiți programând cronometrul cuptorului, la sfârșitul timpului de coacere, ventilatorul de răcire se dezactivează odată cu toate funcțiile. Durata de funcționare a ventilatorului de răcire nu poate fi determinată de utilizator. Acesta se activează și se oprește automat.

Aceasta nu este o eroare.

Lumina cuptorului

Becul cuptorului se aprinde, atunci când cuptorul începe coacerea. La unele modele, becul este aprins în timpul coacerii, iar la altele se stinge după un anumit timp.

Dacă ușa aparatului este deschisă în timp ce cuptorul funcționează sau este în poziție închisă, becul cuptorului se aprinde automat.

Funcționarea unității de control a cuptorului

Pornirea cuptorului

Atunci când selectați o funcție de utilizare cu care doriți să realizați coacerea, folosiți butonul de selectare a funcției și setați o anumită temperatură cu ajutorul butonului de temperatură, cuptorul începe să funcționeze. Trebuie să fixați butonul cronometrului la un anumit timp de preparare sau simbol, pentru a porni funcționarea cuptorului.

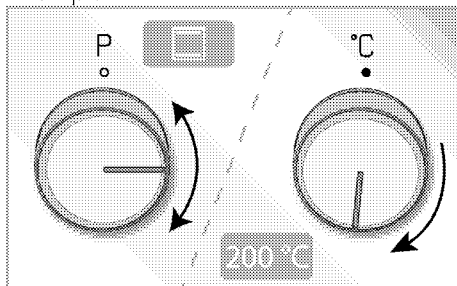
Oprirea cuptorului

Puteți opri cuptorul rotind butonul de selectare a funcției și butonul de temperatură pe poziția off (oprit) (sus).

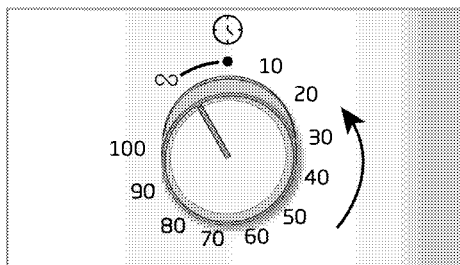
Prepararea manuală cu selectarea temperaturii și a funcției de operare a cuptorului

Puteți coace realizând controlul manual (prin comanda dumneavoastră) fără setarea timpului de coacere, selectând temperatura și funcția de operare specifice alimentelor dumneavoastră.

Exemplu:



1. Selectați funcția de operare cu care doriți să realizați coacerea, folosind butonul de selectare a funcției.
2. Setati temperatura la care doriți să coaceți, folosind butonul de temperatură.
3. Reglați butonul cronometrului la simbolul ∞.

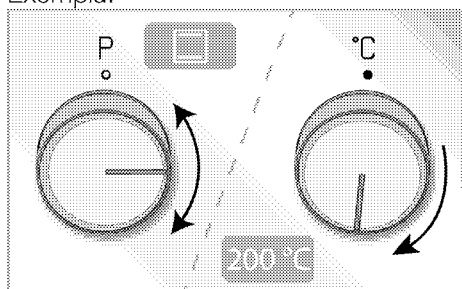


» Cuptorul începe să funcționeze imediat la funcția și temperatura selectate, iar indicatorul luminos pentru temperatură se aprinde. Atunci când temperatura din cuptor atinge valoarea setată, indicatorul luminos de temperatură se stinge. Cuptorul nu se oprește automat după începerea preparării. Trebuie să controlați prepararea și să o dezactivați. În cazul în care coacerea s-a încheiat, opriți cuptorul rotind butonul de selecție a funcției Temperatura și butonul de Cronometru în poziția off (oprit) (sus).

Prepararea prin setarea timpului de coacere;

Puteți opri automat cuptorul la sfârșitul timpului de coacere, selectând funcția de temperatura și funcția de operare specifice alimentelor dumneavoastră, și setând timpul de coacere pe cronometru.

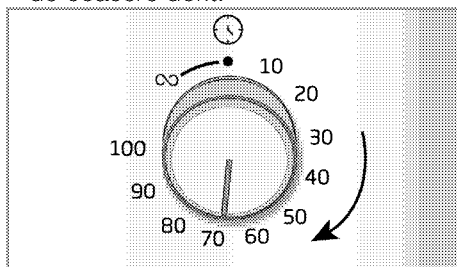
Exemplu:



1. Selectați funcția de operare cu care doriți să realizați coacerea, folosind butonul de selectare a funcției.

2. Setati temperatura la care doriți să coaceți, folosind butonul de temperatură.

3. Rotiți butonul cronometrului la timpul de coacere dorit.



» Cuptorul începe să funcționeze imediat la funcția și temperatura selectate, iar indicatorul luminos pentru temperatură se aprinde. Atunci când temperatura din cuptor atinge valoarea setată, indicatorul luminos de temperatură se stinge.

4. La încheierea timpului de coacere, butonul de setare a cronometrului se rotește automat în sens contrar acelor de ceasornic. Se emite un semnal sonor de avertizare și cuptorul oprește coacerea.

5. În cazul în care coacerea s-a încheiat, opriți cuptorul rotind butonul de selecție a funcției și butonul de temperatură în poziția off (oprit) (sus). Dacă doriți să continuați, setați butonul cronometrului la un anumit timp de coacere. Cuptorul continuă să funcționeze la funcția și temperatura setate.

Pentru a opri coacerea mai devreme decât timpul setat;

1. Rotiți butonul cronometrului în sens contrar acelor de ceasornic, până când atinge poziția off (oprit) (sus).

2. Opriți cuptorul rotind butonul de selectare a funcției și butonul de temperatură pe poziția off (oprit) (sus).

6 Informații generale privind gătitul

Această secțiune descrie indicațiile privind prepararea și gătitul alimentelor. În plus, puteți regăsi unele dintre alimentele testate de producători și setările cele mai adecvate pentru aceste alimente. Setările și accesoriile adecvate pentru aceste alimente sunt, de asemenea, indicate.

Avertismente generale privind coacerea în cuptor

- Dacă deschideți ușa cuptorului în timpul sau după încheierea coacerii, se poate degaja abur fierbinte. Aburul poate provoca arsuri ale mâinilor, feței și/sau ochilor. Atunci când deschideți ușa cuptorului, păstrați distanța.
- Aburul intens generat în timpul coacerii poate forma picături de condens pe interiorul și exteriorul cuptorului și pe părțile superioare ale mobilierului, datorită diferenței de temperatură. Acesta este un eveniment fizic normal.
- Temperatura de coacere și valorile de timp indicate pentru alimente pot varia în funcție de rețetă și cantitate. Din acest motiv, aceste valori sunt indicate sub formă de intervale.
- Îndepărtați întotdeauna accesoriile neutilizate din cuptor, înainte de începerea coacerii. Accesoriile rămase în cuptor pot împiedica prepararea alimentelor la valorile corecte.
- Pentru alimentele preparate conform rețetei proprii, puteți consulta ca referință rețetele similare indicate în tabelele de moduri de coacere.
- Folosirea accesoriilor furnizate vă asigură cele mai bune performanțe de coacere. Respectați întotdeauna avertismentele și informațiile furnizate de producător pentru vasele pe care urmează să le folosiți.

- Tăiați hârtia de copt pe care o veți folosi la gătit, la dimensiunile potrivite vasului de coacere. Dacă hârtia de copt iese din vas, există riscul de ardere și aceasta poate afecta calitatea alimentelor. Folosiți hârtia de copt în intervalul de temperatură specificat.
- Pentru o performanță bună de coacere, așezați mâncarea pe raftul corect recomandat. Nu schimbați poziția pe raft, în timpul coacerii.

Produse de patiserie și mâncare la cuptor

Informații generale

- Vă recomandăm să folosiți accesoriile produsului, pentru o performanță bună a coacerii. Dacă doriți să folosiți un vas de bucătărie extern, alegeți vasele de culoare închisă, care nu lipsesc și rezistă la temperatură înaltă.
- Dacă se recomandă preîncălzirea în tabelul programelor de coacere, asigurați-vă că puneți mâncarea la cuptor după preîncălzire.
- Dacă intenționați să gătiți folosind vase pe grătarul de sârmă, așezați vasul în mijlocul grătarului, nu lângă peretele din spate.
- Toate ingredientele utilizate la prepararea produselor de patiserie trebuie să fie proaspete și la temperatura camerei.
- Timpul de preparare a produselor poate varia, în funcție de cantitatea de alimente și mărimea vaselor de gătit.
- Valorile specificate în tabelele de coacere sunt determinate ca urmare a testelor efectuate în laboratoarele noastre. Valorile potrivite pentru dumneavoastră pot diferi de aceste valori.

- Așezați vasul pe raftul corespunzător recomandat în tabelul programelor de coacere. Luați ca referință raftul de jos al cuptorului, ca fiind raftul 1.

Indicații pentru coacerea prăjiturilor

- Dacă prăjitura este prea uscată, creșteți temperatura cu aproximativ 10 °C și reduceți timpul de coacere.
- Dacă prăjitura este umedă, folosiți o cantitate mică de lichid, sau reduceți temperatura cu 10 °C.
- Dacă partea de sus a prăjiturii este arsă, puneți pe raftul inferior, reduceți temperatura și creșteți timpul de coacere.
- Dacă se coace bine în interior, dar exteriorul este lipicios, folosiți o cantitate mai mică de lichid, reduceți temperatura și creșteți timpul de coacere.

Indicații pentru coacerea produselor de patiserie

- Dacă produsele de patiserie sunt prea uscate, creșteți temperatura cu

aproximativ 10 °C și reduceți timpul de coacere. Umeziți foile de aluat cu un sos preparat din lapte, ulei, ou și amestec de iaurt.

- Dacă produsele de patiserie se coc lent, asigurați-vă că acestea nu sunt atât de groase încât să se reverse peste marginea vasului.
- Dacă aluatul este rumenit la suprafață, dar partea inferioară este necoaptă, asigurați-vă că sosul nu se acumulează în cantitate prea mare la partea de jos a vasului. Pentru o rumenire uniformă, încercați să întindeți sosul uniform între foile de aluat și compoziție.
- Coaceți în poziția și la temperatura adecvată, conform tabelului de preparare. Dacă partea de jos nu este încă suficient de rumenită, așezați pe un raft inferior, la următoarea preparare.

Aliment	Cantitatea (vas)	Accesorii de utilizare	Funcție utilizată	Poziția pe raft	Temperatura (°C)	Timp de coacere (min.) (aprox.)
Prăjituri în tavă	Tavă unică	Tavă standard*	Încălzire superioară și inferioară	3	180	30 ... 40
Prăjituri în formă de copt	Tavă unică	Formă de copt pe grătar de sârmă**	Încălzire superioară și inferioară	2	180	30 ... 40
Torturi mici	Tavă unică	Tavă standard*	Încălzire superioară și inferioară	3	160	25 ... 35
Prăjitură pandișpan	Tavă unică	Formă rotundă pentru tort, diametru 26 cm, cu grătar de sârmă la partea de sus**	Încălzire superioară și inferioară	2	160	30 ... 40
Prăjitură	Tavă unică	Tavă produse de patiserie*	Încălzire superioară și inferioară	3	170	25 ... 35
Produse de patiserie	Tavă unică	Tavă standard*	Încălzire superioară și inferioară	2	200	35 ... 45
Produse de patiserie cu cremă	Tavă unică	Tavă standard*	Încălzire superioară și inferioară	2	200	20 ... 30

Aliment	Cantitate tava	Accesoriu de utilizare	Funcție utilizată	Poziție pe rafi	Temperatură (°C)	Timp de coacere (min.) (aprox.)
Pâine întreagă	Tavă unică	Tavă standard*	Încălzire superioară și inferioară	2	200	30 ... 40
Lasagna	Tavă unică	Vas de sticlă/metalic dreptunghiular pe grătar de sârmă**	Încălzire superioară și inferioară	2 sau 3	200	30 ... 40
Plăcintă cu mere	Tavă unică	Formă metalică neagră, diametru 20 cm, pe grătar de sârmă**	Încălzire superioară și inferioară	2	180	50 ... 70
Pizza	Tavă unică	Tavă standard*	Încălzire superioară și inferioară	2	200 ... 220	10 ... 20

Pentru toate rețetele, se recomandă preîncălzirea.

* Este posibil ca aceste accesorii să nu fie incluse în produsul dumneavoastră.

** Aceste accesorii nu sunt incluse în produsul dumneavoastră. Acestea sunt accesorii disponibile comercial.

Carne, pește și pui

Indicații esențiale pentru prepararea pe grătar

- Condimentarea cu suc de lămâie și piper înainte de prepararea puilului, curcanului și bucăților mari de carne, crește performanța de preparare.
- Sunt necesare între 15 și 30 de minute în plus, pentru a găti carnea cu os, decât pentru frigerea cărnii tăiată file.

- Luați în calcul aproximativ 4-5 minute de timp de gătire per centimetru din grosimea cărnii.
- După expirarea timpului de preparare, lăsați carnea în cuptor timp de circa 10 minute. Sucul cărnii este mai bine distribuit în timpul frigerei și nu se scurge, atunci când carnea este tăiată.
- Peștele trebuie așezat pe un raft central sau inferior, într-un vas rezistent la temperatură înaltă.

Aliment	Cantitate tava	Accesoriu de utilizare	Funcție utilizată	Poziție pe rafi	Temperatură (°C)	Timp de coacere (min.) (aprox.)
Friptură (bucată întreagă) / Carne de fript (1 kg)	Tavă unică	Tavă standard*	Încălzire superioară și inferioară	3	15 min. 250/max după 180... 190	60... 80
Pulpă de miel (1.5 - 2.0 kg)	Tavă unică	Tavă standard*	Încălzire superioară și inferioară	3	15 min. 250/max după 170	110... 120
Pui fript (1.8-2 kg)	Tavă unică	Grătar de sârmă* Așezați o tavă pe un raft inferior	Încălzire superioară și inferioară	2	15 min. 250/max după 190	60... 80
Turcia (5.5 kg)	Tavă unică	Tavă standard*	Încălzire superioară și inferioară	1	25 min. 250/max după 180... 190	150... 210
Pește	Tavă unică	Grătar de sârmă* Așezați o tavă pe un raft inferior	Încălzire superioară și inferioară	3	200	20... 30

Pentru toate rețetele, se recomandă preîncălzirea.

* Este posibil ca aceste accesorii să nu fie incluse în produsul dumneavoastră.

** Aceste accesorii nu sunt incluse în produsul dumneavoastră. Acestea sunt accesorii disponibile comercial.

Grăitoare

Carnea roșie, peștele și puiul se rumenesc rapid atunci când sunt puse pe grătar, capătă o crustă frumoasă și nu se usucă. Carnea file, frigarurile, cârnații precum și legumele succulente (roșii, ceapă etc.) se pretează în mod deosebit pentru frigerea pe grătar.

Avertismente generale

- Alimentele inadecvate pentru prepararea pe grătar prezintă pericol de incendiu. Puneți pe grătar doar alimente adecvate pentru frigerea la foc puternic, pe grătar. De asemenea, nu așezați mâncarea prea departe, respectiv în partea din spate a grătarului. Aceasta este cea mai fierbinte zonă, iar alimentele cu un conținut mare de grăsime se pot aprinde.
- Închideți ușa cuptorului în timpul utilizării grătarului. Nu folosiți grătarul cu ușa deschisă. Suprafețele fierbinți pot provoca arsuri!

Table de preparare la grătar

Alliment	Accesorii de utilizare	Poziție pe raft	Temperatura (°C)	Temp de coacere (min.) (aprox.)
Pește	Grătar de sârmă	4-5	250	20... 25
Bucăți de pui	Grătar de sârmă	4-5	250	25... 35
Chiftele (vită) -12 bucăți	Grătar de sârmă	4	250	20... 30
Cotlet de miel	Grătar de sârmă	4-5	250	20... 25
Friptură - (feliată)	Grătar de sârmă	4-5	250	25... 30
Cotlet de vițel	Grătar de sârmă	4-5	250	25... 30
Legume gratinate	Grătar de sârmă	4-5	220	20... 30
Pâine toast	Grătar de sârmă	4	250	1... 3

Se recomandă preîncălzirea timp de 5 minute, pentru toate alimentele coapte/fripte pe grătar. Întoarceți mâncarea pe grătar, după scurgerea a 1/2 din timpul total de preparare.

Indicații esențiale pentru prepararea pe grătar

- Puneți pe grătar alimente de grosime și greutate pe cât posibil similare.
- Așezați alimentele pe care doriți să le preparați pe grătarul de sârmă sau în tava grătarului, așezându-le astfel încât să nu depășiți dimensiunile elementului de încălzire.
- În funcție de grosimea alimentelor de pe grătar, timpii de preparare indicați în tabel pot varia.
- Așezați grătarul de sârmă sau tava grătarului la nivelul dorit, în cuptor. Dacă frigeți pe grătar, introduceți tava cuptorului pe raftul inferior, pentru a colecta grăsimea scursă. Tava cuptorului pe care urmează să o introduceți trebuie să fie dimensionată astfel încât să acopere întreaga zonă a grătarului. Este posibil ca această tavă să nu fie inclusă cu produsul. Pentru o curățare mai ușoară, turnați apă în tava cuptorului.

Rețete de test

Alimentele din acest tabel de preparare sunt pregătite conform standardului EN 60350-1, pentru a facilita testarea produsului pentru institutele de control.

Aliment	Cantitate tavă	Accesoriu de utilizare	Funcție utilizată	Poziție pe raft	Temperatură (°C)	Temp. de coacere (min.) (aprox.)
Fursecuri (dulci)	Tavă unică	Tavă standard*	Încălzire superioară și inferioară	3	140	20 ... 30
Torturi mici	Tavă unică	Tavă standard*	Încălzire superioară și inferioară	3	160	25 ... 35
Prăjitură pandișpan	Tavă unică	Formă rotundă pentru tort, diametru 26 cm, cu grătar de sârmă la partea de sus**	Încălzire superioară și inferioară	2	160	30 ... 40
Plăcintă cu mere	Tavă unică	Formă metalică neagră, diametru 20 cm, pe grătar de sârmă**	Încălzire superioară și inferioară	2	180	50 ... 70

Pentru toate rețetele, se recomandă preîncălzirea.

* Este posibil ca aceste accesorii să nu fie incluse în produsul dumneavoastră.

** Aceste accesorii nu sunt incluse în produsul dumneavoastră. Acestea sunt accesorii disponibile comercial.

Grăitoare

Aliment	Accesoriu de utilizare	Poziție pe raft	Temperatură (°C)	Temp. de coacere (min.) (aprox.)
Pâine toast	Grătar de sârmă	4	250	1 ... 3
Chiflele (vită) - 12 bucăți	Grătar de sârmă	4	250	20 ... 30

Întoarceți mâncarea pe grătar, după scurgerea a 1/2 din timpul total de preparare.

Se recomandă preîncălzirea timp de 5 minute, pentru toate alimentele coapte/fripte pe grătar.

7 Întreținere și curățare

Informații generale privind curățarea

⚠️ Avertismente generale

- Așteptați ca aparatul să se răcească, înainte de a-l curăța. Suprafețele fierbinți pot provoca arsuri!
- Durata de viață a produsului este prelungită, iar problemele frecvente se reduc, dacă acesta este curățat la intervale regulate.
- Aparatul trebuie curățat corespunzător după fiecare utilizare. Astfel, resturile alimentare sunt curățate cu ușurință și este prevenită arderea acestora, atunci când produsul este utilizat din nou, mai târziu.
- Nu folosiți aparate de curățare cu aburi, pentru curățare.
- Unii detergenți sau agenți de curățare pot deteriora suprafața. Nu folosiți detergenți abrazivi, pulberi de curățat, creme de curățare sau obiecte ascuțite în timpul curățării.
- Nu este necesar un agent de curățare special pentru curățarea produsului. Curățați aparatul cu detergent de vase, apă caldă și o cârpă moale sau un burete și uscați-l cu o cârpă uscată.
- Asigurați-vă că ștergeți complet lichidul rămas după curățare și curățați imediat orice stropi rămași în urma preparării alimentelor.

Suprafețe de inox și oțel inoxidabil

- Nu folosiți agenți de curățare care conțin acid sau clor, pentru curățarea suprafețelor și mânerelor de inox sau oțel inoxidabil.
- Curățați cu o cârpă moale cu soluție de detergent lichid (care nu zgârie), având grijă să ștergeți într-o singură direcție.

- În timp, poate apărea o ușoară decolorare pe suprafețele de inox și oțel inoxidabil. Acest lucru nu afectează funcționarea acestui produs.
- Îndepărtați urmele de calcar, ulei, amidon și proteine de pe suprafețe imediat, fără întârziere. Petele se pot oxida în timp.

Suprafețe emailate

- După utilizare, curățați suprafețele emailate cu detergent de vase, apă caldă și o cârpă moale sau burete, și uscați cu o cârpă uscată.
- Dacă aparatul dumneavoastră are o funcție de curățare ușoară cu abur, puteți realiza curățarea ușoară cu abur în cazul murdăriei ușoare, nepersistente. (Consultați secțiunea „Curățarea ușoară cu abur”).
- În cazul contaminării excesive cu resturi alimentare arse pe suprafață, utilizați burete de sârmă și un produs de curățat cuptoare.
- Puteți obține un aparat de curățare recomandat pentru suprafețe emailate, de la un centru tehnic autorizat. Nu folosiți un produs extern de curățat cuptorului.
- Cuptorul trebuie să se răcească, pentru curățarea zonei de preparare. Curățarea suprafețelor fierbinți va crea atât pericol de incendiu, cât și deteriorarea suprafeței emailate.

Suprafețe catalitice

- Pereții laterali din zona de preparare nu pot fi acoperiți decât cu vopsea de email sau strat catalitic. Acest aspect variază în funcție de model.
- Pereții catalitici au o suprafață mată și poroasă ușoară. Pereții catalitici ai cuptorului nu trebuie curățați.
- Suprafețele catalitice absorb ulei datorită structurii poroase și încep să

strălucescă atunci când suprafața este saturată cu ulei, în acest caz se recomandă înlocuirea pieselor.

Suprafețe de sticlă

- Atunci când curățați suprafețe de sticlă, nu utilizați instrumente metalice dure și materiale de curățare abrazive. Acestea pot deteriora suprafața sticlei.
- Curățați aparatul cu detergent de vase, apă caldă și o cârpă moale sau un burete și uscați-l cu o cârpă uscată.
- Dacă rămân urme de detergent după curățare, ștergeți cu apă rece și uscați cu o cârpă moale. Resturile de detergent rămase pot deteriora suprafața sticlei, ulterior.
- În nicio situație, resturile uscate de pe suprafața sticlei nu trebuie curățate cu cuțite cu lama zimțată, burete de sârmă sau instrumente ascuțite similare.
- Puteți îndepărta petele de calcar (pete galbene) de pe suprafața sticlei cu agentul de detartrare disponibil în comerț, cu un agent de detartrare cum ar fi oțetul sau sucii de lămâie.
- Dacă suprafața este foarte murdară, aplicați un burete pe dispozitivul de curățare și așteptați până când acesta funcționează corect. Apoi, curățați suprafața de sticlă cu o cârpă umedă.
- Decolorările și petele de pe suprafața sticlei sunt normale și nu reprezintă defecte.

Piese de plastic și suprafețe vop-site

- Curățați părțile de plastic și suprafețele pictate cu detergent de vase, apă caldă și o cârpă moale sau un burete și uscați cu o cârpă uscată.
- Nu utilizați instrumente metalice ascuțite și agenți de curățare abrazivi. Suprafețele pot suferi deteriorări.

Curățarea accesoriilor

Dacă nu se specifică altfel în manualul de utilizare, nu curățați accesoriile produsului în mașina de spălat vase.

Curățarea panoului de control

- Atunci când curățați panourile de control și butoanele, ștergeți panoul și butoanele cu o cârpă moale, umedă și uscați cu o cârpă uscată. Nu îndepărtați butoanele și garniturile de dedesubt pentru a curăța panoul. Panoul de control și butoanele pot fi deteriorate.
- Curățați panourile de control tactile cu o cârpă moale umedă și uscați cu o cârpă uscată. Dacă produsul dumneavoastră este prevăzut cu o caracteristică de blocare a tastelor, setați blocarea tastelor înainte de curățarea panoului de control. În caz contrar, se pot produce detectări incorecte la nivelul tastelor.

Curățarea interiorului cuptorului (zona de preparare)

Urmați instrucțiunile de curățare descrise în secțiunea „Informații generale despre curățare” în funcție de tipurile suprafețelor din interiorul cuptorului.

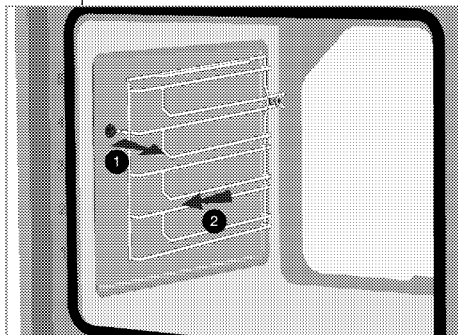
Curățarea pereților laterali ai cuptorului

Pereții laterali din zona de preparare nu pot fi acoperiți decât cu vopsea de email sau strat catalitic. Acest aspect variază în funcție de model. Dacă există un perete catalitic, consultați secțiunea „Pereții catalitici” pentru informații. Dacă aparatul dumneavoastră reprezintă un model cu rafturi de sârmă, scoateți rafturile înainte de a curăța pereții laterali. Apoi, realizați curățarea așa cum este descris în secțiunea „Informații generale

despre curățare” în funcție de tipul suprafeței peretelui lateral.

Pentru a scoate rafturile laterale de sârmă:

1. Scoateți partea din față a raftului de sârmă, trăgându-l către peretele lateral din partea opusă.
2. Trageți raftul de sârmă spre dumneavoastră, pentru a-l îndepărta complet.

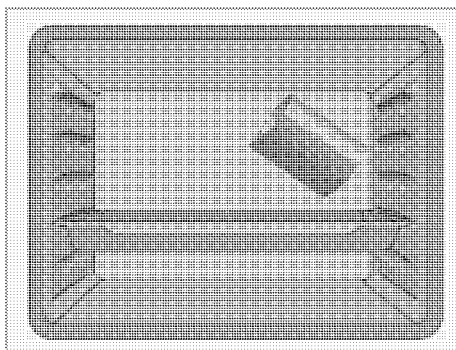


3. Pentru reasamblarea rafturilor, procedurile aplicate la îndepărtarea acestora trebuie repetate în ordinea inversă a etapelor.

Curățarea cu abur (Easy Steam Cleaning)

Această funcție asigură o curățare ușoară, deoarece murdăria (care nu a fost lăsată prea mult timp) este înmuiată de aburul degajat în interiorul cuptorului și picăturile de apă condensate pe suprafețele interioare ale cuptorului.

1. Îndepărtați toate accesoriile din interiorul cuptorului.
2. Turnați 500 ml de apă în tava cuptorului și așezați tava pe al doilea raft al cuptorului.



3. Setati cuptorul la modul „easy steam cleaning” și lăsați să funcționeze la 100°C timp de 25 de minute.
4. Deschideți ușa imediat și ștergeți suprafața interioară a cuptorului cu o cârpă sau cu un burete umed. La deschiderea ușii, se va degaja abur. Apare pericolul de arsură. Deschideți cu atenție ușa cuptorului.
5. Folosiți apă caldă cu detergent lichid, o cârpă moale sau un burete pentru a curăța murdăria persistentă, apoi ștergeți cu o cârpă uscată.

i În timpul modului de curățare ușoară cu abur (easy steam cleaning), apa introdusă în tavă pentru a înmuia stratul subțire de resturi/murdărie din cavitatea cuptorului se evaporă și se condensează în cavitatea cuptorului și pe geamul interior al ușii cuptorului, prin urmare, apa se poate scurge atunci când ușa cuptorului este deschisă. Ștergeți condensul imediat ce ușa cuptorului este deschisă.

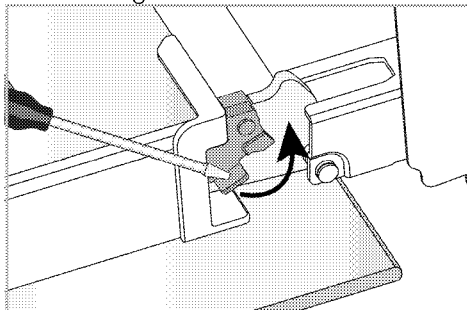
Curățarea ușii cuptorului

i Nu folosiți produse de curățare abrazive dure, instrumente metalice ascuțite, burete de sârmă sau înălbitor, pentru a curăța ușa și geamul cuptorului.

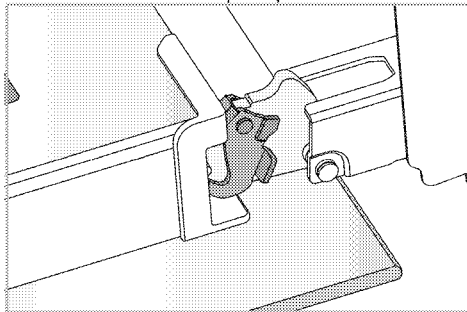
Puteți îndepărta ușa cuptorului și geamurile ușii, pentru a le curăța. Modul îndepărtării ușilor și geamurilor este explicat în secțiunile „Îndepărtarea ușii cuptorului” și „Îndepărtarea geamului interior al ușii”. După scoaterea geamurilor interioare ale ușii, curățați-le cu detergent de vase, apă caldă și o cârpă moale sau burete, și uscați cu o cârpă uscată.

Îndepărtarea ușii cuptorului

1. Deschideți ușa cuptorului.
2. Deschideți clemele din soclul balamalei ușii din față, la dreapta și la stânga, apăsând în jos, așa cum se arată în figură.

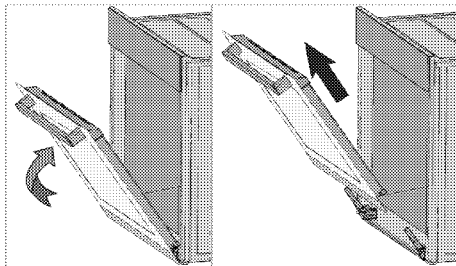


Închidere balama - poziție închisă



Închidere balama - poziție deschisă

3. Poziționați ușa cuptorului în poziție semi-deschisă.



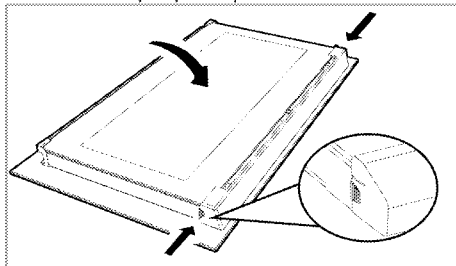
4. Trageți ușa detașată în sus, pentru a o elibera din balamalele din partea dreaptă și stângă și îndepărtați-o.

i Pentru reatașarea ușii, procedurile aplicate la îndepărtarea acesteia trebuie aplicate în ordinea inversă a etapelor. Atunci când instalați ușa, asigurați-vă că închideți clemele de pe locașul balamalei.

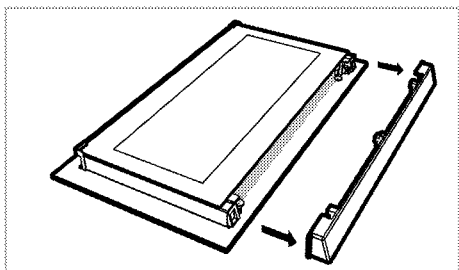
Îndepărtarea geamului interior al ușii cuptorului

Geamul interior al ușii din față a aparatului poate fi îndepărtat pentru curățare.

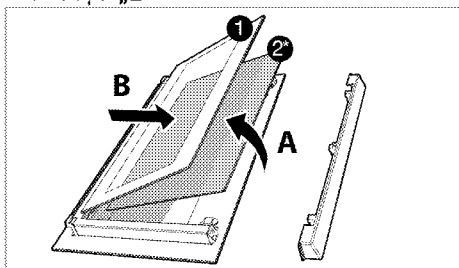
1. Deschideți ușa cuptorului.



2. Trageți către dumneavoastră componenta de plastic, atașată pe secțiunea superioară a ușii din față, apăsând simultan pe punctele de presiune de pe ambele părți ale componentei și îndepărtați-o.



3. Așa cum se arată în figură, ridicați cu grijă geamul de la partea interioară (1) în direcția „A” apoi scoateți trăgând în direcția „B”.



- 1 Panou de sticlă la interfața cu interiorul
- 2* Panou de sticlă interior (Este posibil să nu existe pentru produsul dumneavoastră)
4. Dacă produsul dumneavoastră are geam interior (2), repetați procesul pentru detașarea acestuia (2).
5. Primul pas al reasamblării ușii este reasamblarea geamului interior (2). Așezați marginea teșită a geamului pe marginea teșită a fantei de plastic. (Dacă aparatul este prevăzut cu geam interior). Geamul interior (2) trebuie atașat la fanta de plastic cea mai apropiată de geamul cel mai din interior (1).
6. În timp ce reasamblați geamul de la interior (1), orientați partea imprimată a geamului către geamul dinspre interior. Este crucială așezarea colțurilor inferioare ale geamului cel mai din interior (1) în fantele de plastic de la partea inferioară.

7. Apăsăți componenta de plastic în direcția cadrului, până când se aude un „clic”.

Curățarea lămpii cuptorului

În cazul în care ușa de sticlă a lămpii cuptorului din zona de preparare se murdărește; curățați cu detergent de vase, apă caldă și o cârpă moale sau un burete și uscați cu o cârpă uscată. În cazul defectării lămpii cuptorului, o puteți înlocui respectând instrucțiunile din secțiunile următoare.

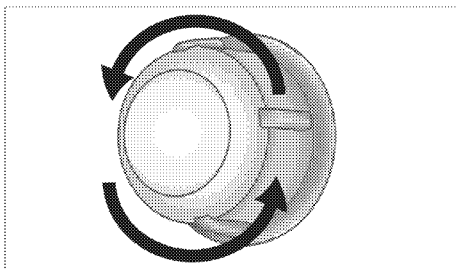
Înlocuirea lămpii cuptorului

⚠️ Avertismente generale

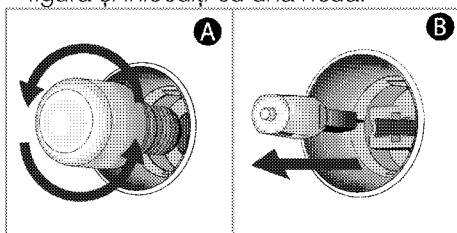
- Pentru a evita riscul de electrocutare înainte de înlocuirea lămpii cuptorului, deconectați conectorul electric și așteptați răcirea cuptorului. Suprafețele fierbinți pot provoca arsuri!
- Lampa cuptorului este reprezentată de un bec electric special, rezistent la 300 °C. Lămpile cuptorului pot fi obținute de la centrele de servicii autorizate.
- Poziția lămpii poate să difere de cea indicată în figură.
- Lampa folosită pentru acest aparat nu este adecvată pentru iluminatul încăperilor locuinței. Scopul acestei lămpi este să permită utilizatorului să supravegheze alimentele din interiorul cuptorului.
- Lămpile utilizate în acest aparat trebuie să reziste la condiții fizice extreme, cum ar fi temperaturi peste 50 °C.

În cazul în care cuptorul dumneavoastră este prevăzut cu o lampă rotundă,

1. Deconectați aparatul de la rețeaua de alimentare cu electricitate.
2. Scoateți capacul de sticlă, rotindu-l în sens invers acelor de ceasornic.



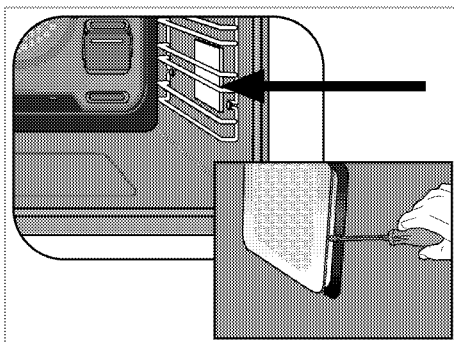
3. Dacă lampa cuptorului este de tip (A), ca în figura de mai jos, rotiți lampa cuptorului așa cum se arată în figură și înlocuiți-o cu una nouă. Dacă este de tip (B), scoateți așa cum se arată în figură și înlocuiți cu una nouă.



4. Repoziționați capacul de sticlă.

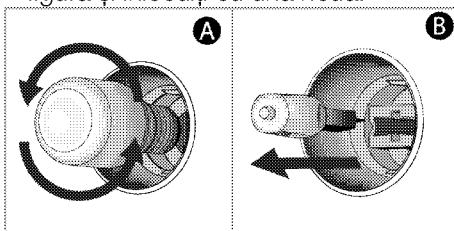
În cazul în care cuptorul este prevăzut cu o lampă de formă pătrată,

1. Deconectați aparatul de la rețeaua de alimentare cu electricitate.
2. Scoateți rafturile de sârmă conform descrierii.



3. Ridicați capacul de sticlă de protecție al lămpii cu o șurubelniță.

4. Dacă lampa cuptorului este de tip (A), ca în figura de mai jos, rotiți lampa cuptorului așa cum se arată în figură și înlocuiți-o cu una nouă. Dacă este de tip (B), scoateți așa cum se arată în figură și înlocuiți cu una nouă.



5. Repoziționați capacul de sticlă și rafturile de sârmă.

8 Depanare

Consultați reprezentantul de servicii tehnice autorizat, tehnicianul deținător de licență sau distribuitorul de la care ați achiziționat produsul, dacă nu puteți remedia problemele, deși ați implementat instrucțiunile din această secțiune. Nu încercați niciodată să reparați singur un aparat defect.

Cuptorul degajă abur, în timpul funcționării.

- Acest lucru este normal. >>> *Aceasta nu este o defecțiune.*

În timpul coacerii, se formează picături de apă.

- Vaporii care apar în timpul coacerii se pot condensa și forma picături de apă, atunci când intră în contact cu suprafețe reci ale aparatului. >>> *Aceasta nu este o defecțiune.*

Aparatul emite zgomote metalice în timpul încălzirii și răcirii.

- Atunci când părțile metalice se încălzesc, acestea se pot dilata, provocând zgomot. >>> *Aceasta nu este o defecțiune.*

Aparatul nu funcționează.

- Siguranța de rețea este defectă sau s-a declanșat. >>> *Verificați siguranțele de la tabloul de siguranțe. Dacă este necesar, schimbați-le sau reseați-le.*
- Aparatul nu este conectat la priză (împământată). >>> *Verificați conexiunea la priză.*
- Butoanele/butoanele rotative/tastele de pe panoul de control nu funcționează. >>> *Dacă aparatul este prevăzut cu funcție de blocare a tastelor, se poate activa blocarea tastelor. Dezactivați această funcție.*

Becul cuptorului nu funcționează.

- Becul cuptorului este defect. >>> *Schimbați becul cuptorului.*
- Alimentarea este întreruptă. >>> *Verificați dacă se realizează alimentarea. Verificați siguranțele de la tabloul de siguranțe. Dacă este necesar, schimbați-le sau reseați-le.*

Cuptorul nu se încălzește.

- Este posibil ca acesta să nu fie setat la o anumită funcție și/sau temperatură de coacere. >>> *Setați cuptorul la o anumită funcție și/sau temperatură de coacere.*
- La modelele echipate cu cronometru, cronometrul nu este reglat. >>> *Reglați ora.*
- Alimentarea este întreruptă. >>> *Verificați dacă se realizează alimentarea. Verificați siguranțele de la tabloul de siguranțe. Dacă este necesar, schimbați-le sau reseați-le.*

(La modelele cu cronometru) Afișajul ceasului clipește sau simbolul este aprins.

- A avut loc o întrerupere anterioară a alimentării electrice. >>> *Reglați ora/Deconectați și reconectați aparatul.*

Reteaua de service ARCTIC

Sediul Central Service Gaesti

Str. 13 Decembrie nr. 210 , Gaesti , Jud. Dambovita

Programul de functionare al Centrului de apeluri

Luni – Vineri : 08:30 - 20:00

Sambata : 08:30 - 17:00

E-mail: service@arctic.ro

Centrul de apeluri Arctic si Beko

*9010, numar apelabil din orice retea

Centrul de apeluri Grundig

*9020, numar apelabil din orice retea

Alte numere Centrul de apeluri

0245 – 605 111 , numar apelabil in reseaua Romtelecom

0372 – 015 111, numar apelabil in reseaua Vodafone

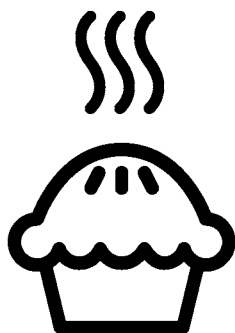
Nr. Crt.	JUDET	REPREZENTANTA	ADRESA
1.	ALBA	ALBA IULIA	Bd. Transilvaniei , bl 3EFG, spatiu comercial , nr 27
2.	ARAD	ARAD	Piata Arenei nr 6 , bl. E , sc. A , parter
3.	ARGES	PITESTI	Bd. Fratii Gloesti , nr. 59 ,bl. S9c , sc. B , parter
4.	BACAU	BACAU	Str. Energiei , nr. 39 , sc. B , parter
5.	BIHOR	ORADEA	Bd. I Dacia , nr. 54 , bl.U4, spatiu comercial II
6.	BISTRITA NASAUD	BISTRITA	Str. Constantin Roman Vivu , bl 1 , sc D , parter
7.	BRASOV	BRASOV	Str. Jepilor , nr. 2 , bl. A8
8.	BUCURESTI	BUCURESTI Decebal	Bd. Decebal, Nr.18 , Bloc S4 , sector 3

9.	BUZAU	BUZAU	Str. Ion Baiesu , nr FN , bl C2 , parter
10.	CARAS-SEVERIN	RESITA	Str. B.A. Petculescu , bl. 1
11.	CLUJ	CLUJ-NAPOCA	Str. Constantin Brancus , nr. 2
Nr. Crt.	JUDET	REPREZENTANTA	ADRESA
12.	CONSTANTA	CONSTANTA	Sos. Mangaliei , nr. 93 , bl. S , parter
13.	COVASNA	SF. GHEORGHE	Str. Nicolae Iorga , bl. 10 , sc. A
14.	DAMBOVITA	GAESTI	Str. 1 Decembrie , bl. 64
15.	DAMBOVITA	TARGOVISTE	Bd. I.C. Bratianu , nr. 34 , bl. D1C
16.	DOLJ	CRAIOVA	Bd. Decebal , nr. 53 , bl. 38 , sc. 1
17.	GALATI	GALATI	Str. Constructorilor , nr. 7
18.	GORJ	TARGU JIU	Str. 1 Decembrie 1918 , bl. 67
19.	HARGHITA	MIERCUREA CIUC	Str. Pietii , nr. 7 , sc. D , S.C. nr 3
20.	HUNEDOARA	DEVA	Bd. 22 Decembrie , nr. 33 , bl. 10
21.	IALOMITA	SLOBOZIA	Aleea Tipografiei , nr. 1 , bl. D1 , sc. C , parter
22.	IASI	IASI	Str. Sf. Lazar , nr. 6 , bl. Penes Curcanul , parter
23.	MARAMURES	BAIA MARE	Bd. Traian , nr. 12 , Spatiu Comercial nr 1
24.	MURES	TARGU MURES	Str. Libertatii , nr 97
25.	NEAMT	PIATRA NEAMT	Str. Iulian Antonescu , nr. 6 , bl. T6 , ap 16
26.	OLT	SLATINA	Bd. Nicolae Titulescu , nr. 21
27.	PRAHOVA	PLOIESTI	Str. Gheorghe Doja , nr.15 , bl. 35C, parter
28.	SALAJ	ZALAU	Str. Gheorghe Doja , nr. 91 , bl. D113
29.	SATU MARE	SATU MARE	Str. Piata Soarelui , bl. UU18
30.	SIBIU	SIBIU	Str. Fabricii , nr. 2 , ap. spatiu comercial
31.	SUCEAVA	SUCEAVA	Str. Marasesti , nr. 39A , bl.A12 , sc. A , parter
32.	TELEORMAN	ALEXANDRIA	Str. Dunarii , nr. 220 , bl. BM2F , parter , spatiu comercial
33.	TIMIS	TIMISOARA	Str. St. O. Iosif , nr . 2 , parter , SAD 2
34.	TULCEA	TULCEA	Str. Babadag , nr 7 , bl.3 , sc. B , parter , ap. FN
35.	VALCEA	RM. VALCEA	Bd. Tudor Vladimirescu , Nr.32 , bl. 5 , parter



Forno incorporado

Manual do utilizador



PT

Caro Cliente,

Deve ler este manual antes de utilizar o produto.

Beko Agradecemos a escolha deste produto. Queremos que o seu produto, fabricado com alta qualidade e tecnologia, para lhe oferecer a melhor eficiência. Para o fazer, deve ler cuidadosamente este manual e qualquer outra documentação fornecida antes de utilizar o produto e manter a mesma como uma referência. Se entregar este produto a mais alguém, entregar também o respetivo manual. Seguir as instruções, tendo em conta toda a informação e as advertências mencionadas no manual do utilizador.

Deve prestar atenção a toda a informação e todas as advertências no manual do utilizador. Desta forma, irá proteger-se a si mesmo e ao seu produto contra os perigos que podem ocorrer.

Guardar o manual do utilizador. Se entregar este produto a mais alguém, entregar também o respetivo manual.

O manual do utilizador inclui os seguintes símbolos:



Risco que pode resultar em morte ou lesões.

OBSERVAÇÃO Risco que pode resultar em danos no material no produto e para o meio ambiente.



Riscos que podem resultar em queimaduras devido ao contacto com superfícies quentes.



Informações importantes ou dicas úteis de utilização.



Ler o manual do utilizador.



Arçelik A.Ş.
Karaağaç caddesi No:2-6
34445 Sütlüce/Istanbul/TURKEY
Made in TURKEY

1 Instruções de segurança 4

Finalidade do uso	4
Segurança de crianças, pessoas vulneráveis e animais de estimação	5
Segurança elétrica.....	6
Segurança no transporte.....	7
Segurança da instalação.....	8
Segurança durante a utilização.....	8
Advertências da temperatura	9
Uso de acessórios	9
Segurança na cozedura	9
Segurança da manutenção e limpeza	10

2 Instruções ambientais 12

Regulamentação de resíduos	12
Conformidade com a Directiva WEEE e Eliminação de Resíduos	12
Eliminação do material da embalagem	12
Recomendações para poupança de energia.....	12

3 O seu produto 13

Apresentação do produto	13
Apresentação e utilização do painel de controlo.....	14
Controlo do forno	14
Funções de funcionamento do forno	15
Acessórios do produto.....	16
Utilização dos acessórios do produto	17
Especificações técnicas	20

4 Primeira utilização 21

Primeira definição de tempo.....	21
Primeira limpeza	21

5 Funcionar com o forno 22

Informação geral acerca da utilização do forno	22
Operar a unidade de controlo do forno	22

6 Informação geral acerca da cozedura 25

Advertências gerais acerca de cozinhar no forno.....	25
Bolos e alimentos de forno	25
Carne, peixe e aves.....	27
Grelhador	28
Testar os alimentos.....	29

7 Manutenção e cuidados 30

Informações gerais de limpeza	30
Limpar os acessórios	31
Limpar o painel de controlo	31
Limpar o interior do forno (zona de cozedura)	31
Limpeza fácil a vapor	32
Limpar a porta do forno.....	33
Remover o vidro interior da porta do forno	33
Limpar a lâmpada do forno	34

8 Resolução de problemas 36

1 Instruções de segurança

- Esta secção contém instruções de segurança que irão ajudar a impedir lesões pessoais ou danos no material.
 - Se o produto for transferido para outra pessoa ou usado em segunda-mão, o manual de funcionamento, as etiquetas do produto e outros documentos e acessórios devem ser entregues com o produto.
 - A nossa empresa não pode ser responsabilizada por qualquer dano que possa ocorrer em resultado de falha no cumprimento destas instruções.
 - O incumprimento destas instruções deverá anular qualquer garantia.
 - **⚠**A instalação e as reparações devem ser sempre realizadas pelo fabricante, por serviço de assistência autorizado ou por uma pessoa especificada pelo importador.
 - **⚠**Utilizar apenas peças de substituição e acessórios originais.
 - **⚠**Não tentar reparar ou substituir qualquer componente do produto exceto se especificamente mencionado no manual de funcionamento.
 - **⚠**Não realizar modificações técnicas no produto.
- ⚠ Finalidade do uso**
- Este produto é concebido para utilização doméstica. Não é adequado para utilização comercial.
 - Não usar o produto em jardins, varandas ou outros ambientes exteriores. O aparelho foi projetado para uso em áreas de cozinhas domésticas e de funcionários em lojas, escritórios e outros ambientes de trabalho.
 - **ADVERTÊNCIA:** Este produto deve ser usado apenas com a finalidade de cozinhar. Não deve ser usado para outros fins como para aquecer uma sala.
 - O forno pode ser usado para descongelar, cozer, fritar e grelhar alimentos.
 - Este produto, não deve ser usado para aquecimento,

aquecimento de pratos, pendurar toalhas ou vestuário na pega para secar os mesmos.

Segurança de crianças, pessoas vulneráveis e animais de estimação

- Este produto pode ser usado por crianças com 8 anos de idade ou mais e por pessoas com debilidade físicas, sensoriais e mentais, ou com falta de experiência e conhecimento desde que supervisionadas ou instruídas sobre um uso seguro e sobre os riscos do produto.
- As crianças não devem brincar com o produto. A limpeza e manutenção do utilizador não deve ser feita por crianças a menos que sejam supervisionadas.
- Este produto não deve ser usado por pessoas com capacidades físicas, sensoriais e mentais limitadas (incluindo crianças) exceto se forem supervisionadas ou receberem as instruções necessárias.
- As crianças devem ser supervisionadas de modo a assegurar que não brincam com o produto.
- Os produtos elétricos são perigosos para as crianças e para os animais domésticos. As crianças e os animais de estimação não podem brincar, trepar ou entrar dentro do produto.
- Não colocar sobre o aparelho objetos que as crianças possam alcançar.
- **ADVERTÊNCIA:** Durante a utilização, as superfícies acessíveis do produto estão quentes. Manter as crianças afastadas do produto.
- Manter todo o material de embalagem afastado do alcance das crianças. Existe o perigo de lesões e de sufocarem.
- Quando a porta estiver aberta, não colocar qualquer objeto pesado sobre a porta ou permitir que as crianças se sentem nela. Pode provocar a queda do forno ou danificar as dobradiças da porta.
- Para a segurança das crianças, desligar a ficha de alimentação e tornar o produto inoperável antes de o depositar para eliminação.

Segurança elétrica

- Ligar o produto a tomada com ligação terra protegida por um fusível que coincida com a classificação de corrente indicada na etiqueta do tipo. A instalação da ligação a terra deve ser feita por um electricista qualificado. Não usar o produto sem ligação à terra em conformidade com as regulamentações locais/nacionais.
- A ficha ou ligação elétrica do produto deve estar em local facilmente acessível (onde não serão afetadas por chamas do fogão). Se isto não for possível, tem de existir um mecanismo (fusível, interruptor, etc.) na instalação elétrica ao qual o produto é ligado, em conformidade com as regulamentações elétricas e todos os pólos têm de estar separados da rede.
- O produto não pode estar ligado à tomada durante a instalação, reparação e transporte.
- Não ligar o produto a uma tomada que esteja solta, que tenha saído da respetiva caixa, que esteja partida, com gordura, com risco de contacto com a água (por exemplo, a água pode verter da bancada).
- Nunca tocar na ficha com as mãos molhadas! Nunca tocar na ficha com as mãos molhadas. Para desligar não segurar pelo cabo, segurar sempre na ficha.
- Assegurar que a ficha do produto está firmemente ligada na tomada para evitar a formação de arco.
- Ligar o produto numa tomada com ligação terra que esteja de acordo com os valores de tensão, corrente e frequência especificados na etiqueta de classificação.
- Não prender o cabo por baixo ou atrás do produto. Não colocar objetos pesados em cima do cabo de alimentação. O cabo de alimentação não pode ser dobrado, esmagado ou entrar em contacto com qualquer fonte de calor.
- Enquanto o forno estiver em funcionamento, a superfície traseira do mesmo também fica quente. Os cabos de

- alimentação não podem tocar a superfície traseira
- Não prender os cabos elétricos à porta do forno e não os passar sobre superfícies quentes. Pode provocar um curto-circuito no forno e incendiarem-se em resultado da fusão do cabo.
 - Usar apenas o cabo original. Não usar cabos cortados ou danificados ou cabos de extensão.
 - Se o cabo de alimentação estiver danificado, tem de ser substituído por um fabricante, um serviço autorizado ou uma pessoa a ser especificada pela empresa de importação de modo a evitar possíveis perigos.
 - **ADVERTÊNCIA:** Antes de substituir a lâmpada do forno, assegurar que desligar o produto da alimentação elétrica para evitar o risco de choque elétrico. Desligar o produto ou desligar o fusível na caixa do mesmo.



Segurança no transporte

- Desligar o produto da corrente elétrica antes de o transportar.
- O produto é pesado, tem de ser transportado pelo menos com duas pessoas.
- Não usar a porta e/ou a pega para transportar ou deslocar o produto. Não usar a porta e/ou a pega para transportar ou mover o aparelho.
- Não colocar outros itens no produto e transportar o mesmo na posição vertical. O produto não pode ser transportado quando tem água no seu interior. Pode ser transportado depois da descarga da água estar concluída.
- Quando precisar de transportar o seu produto, envolver o mesmo com material de embalagem de bolhas ou com cartão grosso e passar com fita cola com firmeza. Fixar o produto com firmeza com fita cola para impedir que as partes amovíveis ou as partes de movimento e que o próprio produto fiquem danificados.
- Verificar a aparência em geral do produto relativamente a quaisquer danos que possam ter ocorrido durante o transporte.

Segurança da instalação

- Antes de o produto ser instalado, verificar o produto relativamente a quaisquer danos. Se o produto estiver danificado, não instalar o mesmo.
- Não instalar o produto perto de fontes de calor (radiadores, fogões, etc.).
- Manter as condutas de ventilação abertas em volta do produto.
- Para evitar o sobreaquecimento, o aparelho não deve ser instalado atrás de portas decorativas.

Segurança durante a utilização

- Assegurar que o produto é desligado depois de cada utilização.
- Se não usar o produto durante um longo período de tempo, deve desligar o mesmo ou desligar o fusível da caixa do mesmo.
- Não operar com um produto defeituoso ou danificado. Se aplicável, desligar as ligações de eletricidade/gás do

produto e chamar a assistência autorizada.

- Não usar o produto com o vidro da porta da frente retirado ou partido.
- Não subir para cima do produto para alcançar alguma coisa ou por qualquer outra razão.
- Não usar o produto em situações que podem afetar a sua avaliação, tal como o consumo de drogas e/ou álcool.
- Os objetos inflamáveis guardados na zona de cozedura podem provocar um incêndio. Nunca guardar objetos inflamáveis na zona de cozedura.
- A pega do forno não é um secador de toalhas. Quando usar o produto, não pendurar toalhas, luvas ou têxteis similares.
- As dobradiças da porta do produto movem-se e apertam quando abrir e fechar a porta. Quando abrir/fechar a porta, não segurar na parte com as dobradiças.

Advertências da temperatura

- **ADVERTÊNCIA:** Enquanto o produto estiver em funcionamento, as partes expostas ficarão quentes. Não tocar no produto ou nos elementos de aquecimento. As crianças com idade inferior a 8 anos não podem ficar perto do produto sem a supervisão de um adulto.
- Não colocar materiais inflamáveis/explosivos perto do produto, dado que os rebordos irão ficar quentes enquanto o mesmo estiver em funcionamento.
- Dado poder haver saída de vapor, deve manter-se afastado enquanto estiver a abrir a porta. O vapor pode queimar as suas mãos, rosto e/ou olhos.
- O produto pode ficar quente durante a utilização. Não tocar nos compartimentos quentes, as peças interiores do forno, os elementos de aquecimento, etc.
- Ao colocar os alimentos no forno quente, ao remover os alimentos, etc., usar sempre

luvas de forno resistentes ao calor.

Uso de acessórios

- É importante que a grelha e o tabuleiro sejam corretamente colocados nas prateleiras de arame de aço. Para informação detalhada, consultar a secção “Utilização dos acessórios”.
- Os acessórios podem danificar o vidro da porta quando fechar a porta do produto. Empurrar sempre os acessórios para o fim da zona de cozedura.

Segurança na cozedura

- Ter cuidado quando usar álcool nos seus alimentos. O álcool evapora-se a temperaturas elevadas e pode provocar um incêndio quando exposto a superfícies quentes, provocando um incêndio.
- Os desperdícios de alimentos, óleo, etc. na zona de cozedura podem provocar um incêndio. Antes de cozinhar, remover a referida sujidade grosseira.
- Risco de envenenamento alimentar: Não manter os

alimentos no forno durante mais de uma hora após a cozedura. Caso contrário, pode provocar envenenamento por alimentos ou doenças.

- Não aquecer latas fechadas e frascos de vidro. A formação de pressão pode provocar a explosão do frasco.
- Colocar papel vegetal num recipiente de cozinha ou no acessório do forno (tabuleiro, grelha, etc.) com alimentos e colocar o mesmo no forno pré-aquecido. Remover quaisquer pedaços em excesso do papel vegetal que estejam a sair do acessório ou do recipiente para evitar o risco de tocar nos elementos de aquecimento do forno. Nunca usar papel vegetal num forno com temperatura superior à temperatura máxima de utilização especificada no papel vegetal que estiver a usar. Nunca colocar o papel vegetal na base do forno.
- Não colocar os tabuleiros de cozedura, pratos ou folha de alumínio diretamente na base

do forno. O calor acumulado pode danificar a base do forno.

- Fechar a porta do forno enquanto estiver a grelhar. As superfícies quentes podem provocar queimaduras!
- Alimentos não adequados para grelhar e que podem provocar um risco de incêndio. Grelhar apenas alimentos que sejam adequados para fogo intenso do grelhador. Do mesmo modo, não colocar os alimentos demasiado afastados na parte de trás do grelhador. Esta é a zona mais quente e os alimentos muito gordos podem incendiar-se.



Segurança da manutenção e limpeza

- Deixar que o produto arrefeça antes de iniciar a limpeza do mesmo. As superfícies quentes podem provocar queimaduras!
- Nunca lavar o produto pulverizando-o ou deitando água sobre o mesmo! Existe um risco de choque elétrico!

- Não limpar o produto com equipamentos de limpeza a vapor dado isso poder provocar um choque elétrico.
- Não usar produtos de limpeza abrasivos, raspadores metálicos, materiais de lã de aço ou

lixívia para limpar o vidro da porta frontal do forno/(se existir) o vidro da porta superior.. Estes materiais podem provocar riscos e a quebra das superfícies de vidro.

2 Instruções ambientais

Regulamentação de resíduos

Conformidade com a Directiva WEEE e Eliminação de Resíduos



Este produto está em conformidade com a Directiva WEEE da UE (2012/19/EU). Este produto porta um símbolo de classificação para resíduos de equipamentos eléctricos e electrónicos (WEEE).

Este produto foi fabricado com materiais e peças de alta qualidade, que podem ser reutilizados e reciclados. No fim da sua vida útil, não elimine o resíduo com o lixo doméstico normal ou outro lixo. Leve-o a um centro de recolha para reciclagem de equipamentos eléctricos e electrónicos. Consulte as autoridades locais para se informar sobre estes centros de recolha.

Cumprimento com a Directiva RoHS:

O produto que adquiriu está em conformidade com a Directiva RoHS da UE (2011/65/EU). Ele não contém materiais perigosos e proibidos especificados na Directiva.

Eliminação do material da embalagem

- Os materiais da embalagem são perigosos para as crianças. Mantenha

os materiais no lugar seguro fora do alcance das crianças. Os materiais da embalagem do produto são fabricados a partir de materiais reciclados. Elimine-os de forma adequada e separe-os de acordo com as instruções de lixo reciclado. Não os elimine com o lixo doméstico normal.

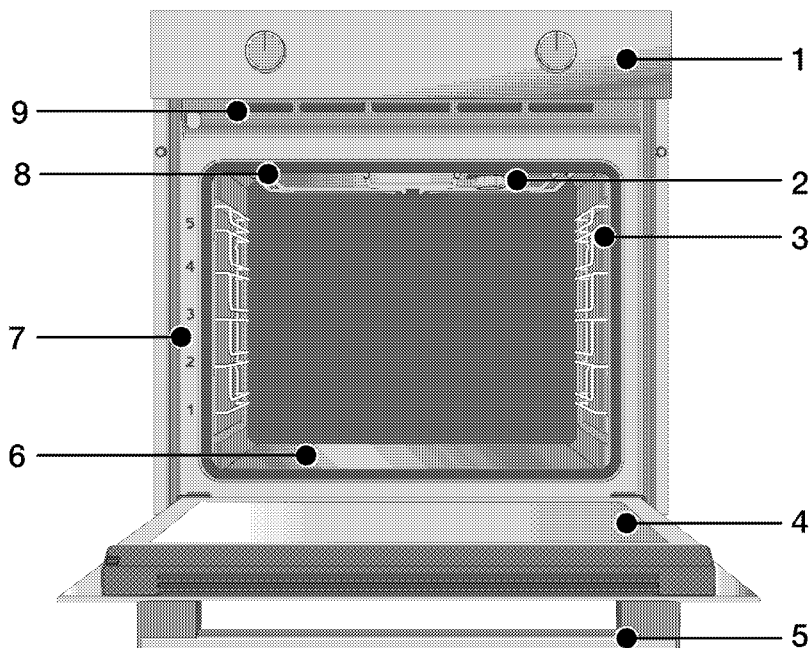
Recomendações para poupança de energia

As sugestões seguintes irão ajudá-lo a usar o seu produto de uma forma ecológica e com eficiência energética.

- Descongelar os alimentos congelados antes de cozinhar.
- No forno, usar recipientes escuros ou esmaltados que transmitam melhor o calor.
- Desligar o produto 5 ou 10 minutos antes do tempo de fim de cozedura para uma cozedura prolongada. Agora pode economizar até 20% de eletricidade ao utilizar o calor.
- Se especificado na receita ou no manual do utilizador, deve sempre pré-aquecer. Não abrir frequentemente a porta do forno enquanto cozinhar.
- Tentar cozinhar mais do que um prato ao mesmo tempo no forno. Pode cozinhar ao mesmo tempo colocando dois recipientes para cozinhar na prateleira de arame de aço. Adicionalmente, se cozinhar as suas refeições uma a seguir à outra, isso irá poupar energia porque o forno não perderá o calor.

3 O seu produto

Apresentação do produto



- 1 Painel de controlo
- 2 Lâmpada*
- 3 Prateleiras de arame de aço**
- 4 Porta
- 5 Pega
- 6 Aquecedor inferior (placa de aço inferior)
- 7 Posicionamento da prateleira
- 8 Aquecedor superior
- 9 Orifícios de ventilação

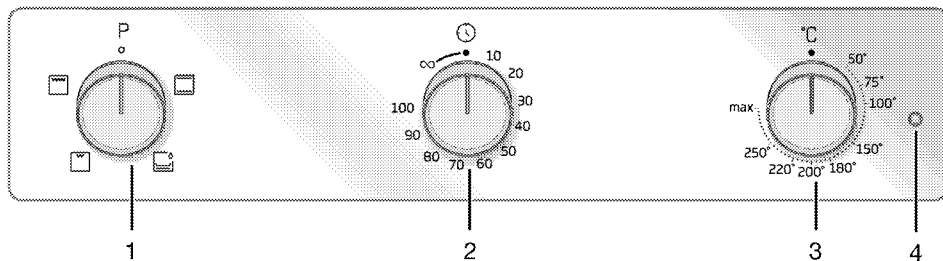
* Depende do modelo O seu produto pode não ter uma lâmpada ou o tipo e localização da lâmpada podem diferir da figura.

** Depende do modelo O seu produto pode não ter prateleiras de arame Na figura as prateleiras de arame são mostradas como exemplos.

Apresentação e utilização do painel de controlo

Nesta secção, pode encontrar uma visão geral e as utilizações básicas do painel de controlo do produto. Podem existir diferenças nas imagens e algumas funções dependem do tipo de produto.

Controlo do forno



- 1 Botão de seleção de função
- 2 Botão Temporizador
- 3 Botão da temperatura
- 4 Lâmpada do termostato

Se houver botão(ões) a controlarem o seu produto, este(s) botão (ões) podem ser acedidos, nalguns modelos, no painel que sai quando premido. Para que sejam feitas as definições com estes botões, em primeiro lugar empurrar o botão correspondente e puxar o botão. Depois de fazer o seu ajuste, premir novamente e voltar a colocar o botão.

Botão de seleção de função

Pode selecionar as funções de funcionamento do forno com o botão de seleção da função. Rodar para a esquerda/direita a partir da posição (superior) de fechado para selecionar.

Botão da temperatura

Pode selecionar a temperatura que pretende para cozinhar com o botão de controlo do forno. Rodar no sentido horário a partir da posição (superior) de fechado para selecionar.

Indicador da temperatura

Pode perceber qual é a temperatura interior do forno com a lâmpada da temperatura. A lâmpada da temperatura está localizada no painel de controlo. A lâmpada da temperatura acende-se quando o produto começa a funcionar e apaga-se quando este atinge a temperatura definida. Quando a temperatura no interior do forno desce abaixo da temperatura definida, a lâmpada da temperatura acede novamente.





Temporizador

Pode cozinhar definindo um determinado tempo de cozedura com o botão do temporizador. Se rodar o botão para o ∞ símbolo, pode cozinhar manualmente (sob a sua supervisão).

Indicador	Descrição
10-100	Tempo de cozedura ajustável
∞	Símbolo de cozedura manual

Funções de funcionamento do forno

Na tabela de funções: são indicadas as funções de funcionamento que pode utilizar no seu forno e as temperaturas mais elevadas e mais baixas que podem ser definidas para estas funções. A sequência dos modos de funcionamento mostrada aqui pode ser diferente dos indicados para o seu produto.

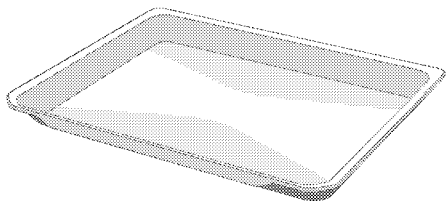
Símbolo da função	Descrição da função	Intervalo de temperatura (°C)	Descrição e utilização
	Aquecimento superior e inferior	*	Os alimentos são aquecidos por cima e por baixo ao mesmo tempo. Adequada para bolos e estufados em formas de cozedura ou para bolos e produtos de pastelaria. A cozedura é feita com um único tabuleiro.
	Aquecimento inferior	*	Apenas o aquecimento inferior está ligado. É adequada para alimentos que é preciso que fiquem dourados por baixo.. Esta função deve também ser usada para a limpeza fácil a vapor.
	Grelhador inferior	*	O grelhador pequeno no teto do forno funciona. É adequado para grelhar quantidades mais pequenas.
	Grelhador completo	*	O grelhador grande no teto do forno funciona. É adequado para grelhar grandes quantidades.

* O seu produto funciona num intervalo de temperatura especificado no botão da temperatura.

Acessórios do produto

Existem vários acessórios no seu produto. Nesta secção são disponibilizadas a descrição dos acessórios e as descrições do uso correto. Dependendo do modelo do produto, os acessórios fornecidos variam. Todos os acessórios descritos no manual do utilizador podem não ser disponibilizados com o produto.

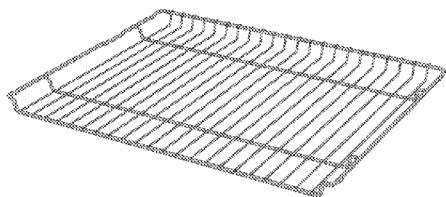
OBSERVAÇÃO : Os tabuleiros no seu produto podem ficar deformados devido ao efeito da temperatura. Isto não tem qualquer efeito no funcionamento. A deformação desaparece quando os tabuleiros arrefecem.



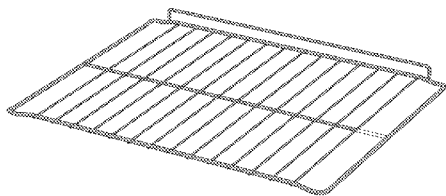
Tabuleiro normal

São usados para produtos de pasteleria, alimentos congelados e para fritar peças grandes.

Modelos com prateleiras de arame:



Modelos sem prateleiras de arame:



Grelha de arame

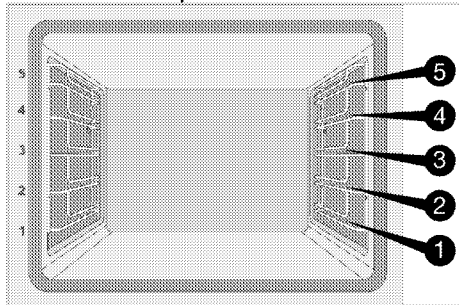
Usado para fritar e/ou colocar os alimentos a serem assados, fritos e estufados na prateleira pretendida.

Utilização dos acessórios do produto

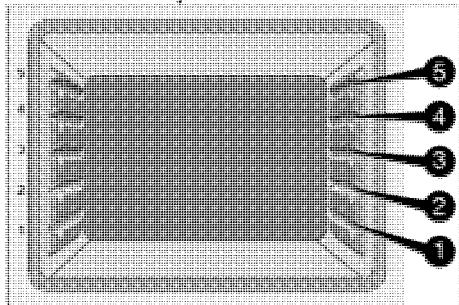
Prateleiras para cozinhar

Há 5 níveis de posicionamento da prateleira na zona de cozedura. Pode igualmente ver a sequência das prateleiras nos números na estrutura frontal do forno.

Modelos com prateleiras de arame



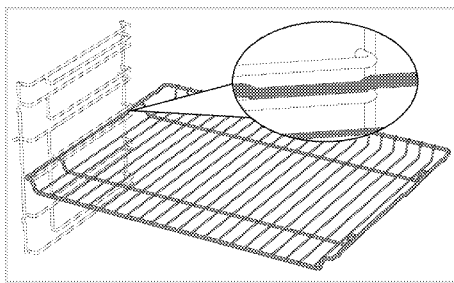
Modelos sem prateleiras de arame



Colocar a grelha de arame de aço nas prateleiras de cozedura

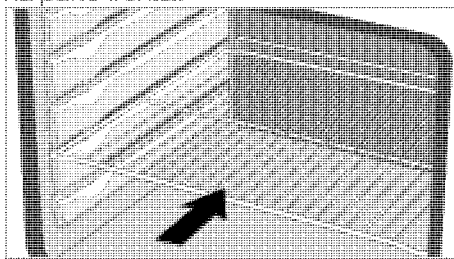
Modelos com prateleiras de arame:

É importante colocar corretamente a grelha de arame nas prateleiras laterais de arame de aço.. Enquanto estiver a colocar a grelha de arame de aço na prateleira pretendida, a secção aberta deve estar na parte frontal. Para uma melhor cozedura, a grelha de arame de aço deve ser fixada com o batente na prateleira de arame. Não deve ultrapassar o batente para contactar com a parede traseira do forno.



Modelos sem prateleiras de arame:

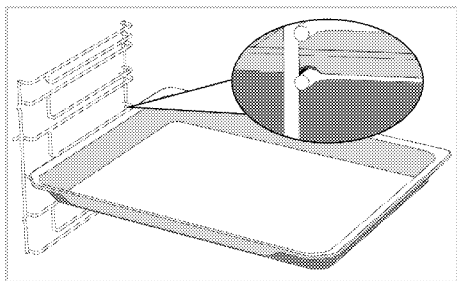
É importante colocar corretamente a grelha de arame nas prateleiras laterais. A grelha de arame de aço tem um sentido quando a mesma é colocada na prateleira. Enquanto estiver a colocar a grelha de arame de aço na prateleira pretendida, a secção aberta deve estar na parte frontal.



Colocar o tabuleiro nas prateleiras de cozedura

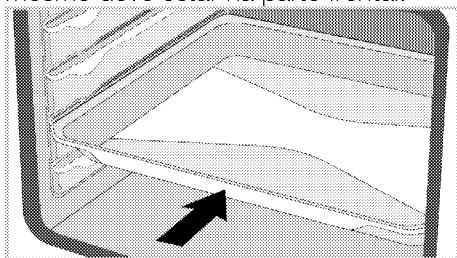
Modelos com prateleiras de arame:

É também importante colocar corretamente os tabuleiros nas prateleiras laterais de arame de aço.. Enquanto estiver a colocar o tabuleiro na prateleira pretendida, a parte lateral destinada a suportar o mesmo deve estar na parte frontal. Para uma melhor cozedura, o tabuleiro deve ser fixada com o batente na prateleira de arame. Não deve ultrapassar o batente para contactar com a parede traseira do forno.



Modelos sem prateleiras de arame:

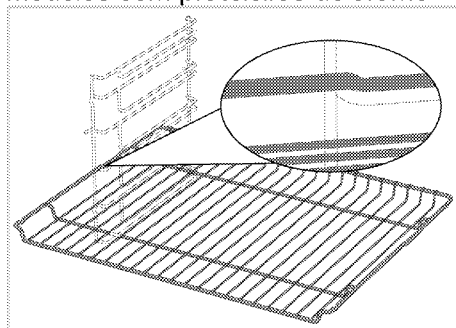
É também importante colocar corretamente os tabuleiros nas prateleiras laterais. O tabuleiro tem um sentido quando o mesmo é colocado na prateleira. Enquanto estiver a colocar o tabuleiro na prateleira pretendida, a parte lateral destinada a suportar o mesmo deve estar na parte frontal.



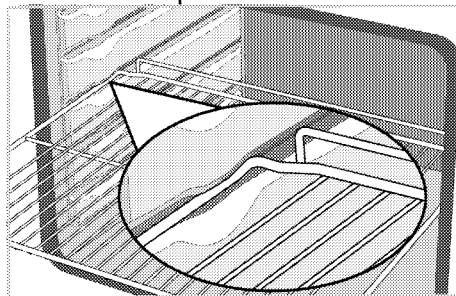
Função de batente da grelha de arame de aço

Existe uma função de batente para impedir que a grelha de arame de aço caia da prateleira lateral. Com esta função, pode facilmente e com segurança retirar os seus produtos alimentares. Enquanto está a retirar a grelha de arame de aço, pode puxar a mesma para a frente até que a mesma chegue ao batente. Tem de passar pelo batente para a remover totalmente.

Modelos com prateleiras de arame

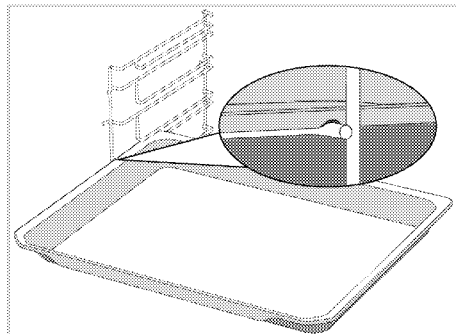


Modelos sem prateleiras de arame



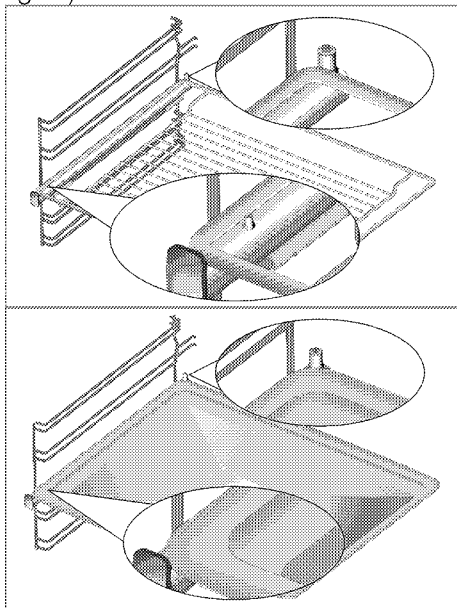
Função de batente da grelha de arame de aço - Modelos com prateleiras de arame

Existe uma função de batente para impedir que o tabuleiro caia da prateleira de arame de aço. Enquanto está a remover o tabuleiro, deve libertar o mesmo do bloqueio traseiro e puxar o mesmo em direção a si até que o tabuleiro alcance o batente. Tem de passar pelo batente para a remover totalmente.



Colocação correta da grelha de arame de aço e do tabuleiro nas guias telescópicas-Modelos com prateleiras de arame e guias telescópicas

Graças às guias telescópicas, os tabuleiros ou a grelha de arame de aço podem facilmente ser instalados e removidos. Quando estiver a usar os tabuleiros e as grelhas de arame de aço com guia telescópica, deve ser tido cuidado em relação aos pinos, na parte frontal e traseira das guias telescópicas, devem assentar contra os rebordos da grelha e do tabuleiro (mostrado na figura).






Especificações técnicas

Especificações gerais

Dimensões externas do produto (altura/largura/profundidade)	595 mm/594 mm/567 mm
Dimensões da instalação do forno (altura/largura/profundidade)	590 ou 600 mm/560 mm/min. 550 mm
Tensão / Frequência	220-240 V ~ 50 Hz
Tipo do cabo e secção cruzada usada/adequada para usar no produto	min.H05VV-FG/3 x 1,5 mm ²
Consumo total de energia	2.4 kW
Tipo de forno	Forno convencional

Essenciais: : Informação sobre a categoria energética dos fornos elétricos é atribuída de acordo com a norma EN 60350-1 / IEC 60350-1 Esses valores são determinados sob a carga padrão com as funções do aquecedor inferior-superior ou aquecimento auxiliado por ventilador (se existir).
A classe de eficiência energética é determinada em conformidade com as seguintes prioridades dependendo se existem ou não no produto as funções relevantes. 1-Aquecimento ventilado ecológico, 2-Aquecimento ventilado 3-Grelhador inferior ventilado, 4-Aquecimento superior e inferior.

-  As especificações técnicas podem ser alteradas sem aviso prévio para melhorar a qualidade do produto.
-  As imagens neste manual são esquemáticas e podem não coincidir exactamente com o seu produto.
-  Os valores indicados nas etiquetas do produto ou na documentação que acompanha o mesmo são obtidos em condições laboratoriais em conformidade com as normas relevantes. Dependendo das condições operacionais e ambientais do produto, estes valores podem variar.

4 Primeira utilização

Antes de começar a utilizar o seu produto, é recomendado fazer o que está indicado nas secções seguintes.

Primeira definição de tempo

i Defina sempre a hora do dia antes de utilizar o forno. Se não o definir, não pode cozinhar em alguns modelos de forno.

Primeira limpeza

1. Remover todos os materiais de embalagem.
2. Remover todos os acessórios do forno fornecida com o produto.
3. Ligar o produto durante 30 minutos e depois desligar o mesmo. Desta forma, os resíduos e as camadas que podem ter sido ficado no forno durante a produção são queimadas e limpas.
4. Quando operar com o produto, seleccionar a temperatura mais elevada e a função de funcionamento de modo a que todos os aquecedores estejam a funcionar no seu produto. Consultar “Funções de funcionamento do forno”. Pode obter informações de como operar com o forno na secção seguinte.
5. Aguardar que o forno arrefeça.
6. Limpar as superfícies do produto com um pano ou esponja humedecidos e secar com um pano.

Antes de usar os acessórios:

Limpar os acessórios que retirou do forno com água com detergente e uma esponja de limpeza macia.

OBSERVAÇÃO A superfície pode ficar danificada por alguns detergentes ou materiais de limpeza. Não use detergentes ou cremes/pós de limpeza agressivos ou qualquer objecto pontiagudo durante a limpeza.

OBSERVAÇÃO Poderá ocorrer maus odores e fumaça por um par de horas durante o funcionamento inicial. Isto é perfeitamente natural. Assegure que o cómodo esteja bem ventilado para extrair o fumo e o cheiro. Evite inalar directamente o fumo e os odores emitidos.

5 Funcionar com o forno

Informação geral acerca da utilização do forno

Ventilador de arrefecimento

O seu produto está equipado com um ventilador de arrefecimento. O ventilador de arrefecimento é ativado automaticamente sempre que necessário e arrefece tanto a frente do produto como os móveis. É automaticamente desativado quando o processo de arrefecimento é terminado. O ar quente sai através da porta do forno. Não deve cobrir estas aberturas de ventilação com nada. Caso contrário, o forno pode sobreaquecer.

O ventilador de arrefecimento continua a funcionar para operar durante o funcionamento do forno ou depois o forno é desligado (aproximadamente 20-30 minutos). Se cozinhar através da programação do temporizador do forno, no fim do tempo de cozedura, o ventilador de arrefecimento desliga-se com todas as funções. O tempo de funcionamento do ventilador de arrefecimento não pode ser determinado pelo utilizador. Liga-se e desliga-se automaticamente. Isto não é um erro.

Iluminação do forno

A lâmpada do forno acende-se quando o forno começa a cozedura. Nalguns modelos, a lâmpada está acesa durante a cozedura, enquanto noutros modelos após um determinado tempo apaga-se. Se a porta do produto estiver aberta enquanto o forno estiver em funcionamento ou na posição de fechado, a lâmpada do forno acende automaticamente.

Operar a unidade de controlo do forno

Ligar o forno

Quando seleccionar uma função de funcionamento que pretende para cozinhar usando o botão de seleção da função e definir uma determinada temperatura usando o botão da temperatura, o forno começa a funcionar. Deve rodar o botão do temporizador para um tempo de cozedura específico ou o símbolo ∞ para começar a operar com o forno.

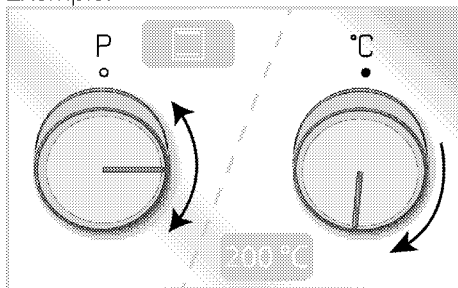
Desligar o forno

Pode desligar o forno rodando o botão de seleção de função e os botões da temperatura e do temporizador para a posição desligar (para cima).

A cozedura manual para seleccionar a função de temperatura e de funcionamento do forno.

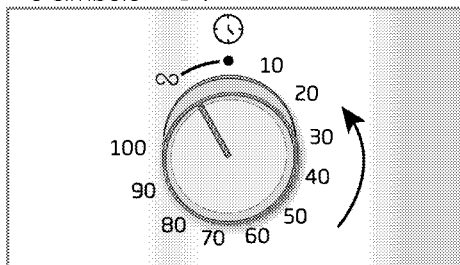
Pode cozinhar fazendo o controlo manual (sob o seu controlo) sem definir o tempo de cozedura seleccionando a temperatura e a função de funcionamento específica para os seus alimentos.

Exemplo:



1. Seleccionar a função de funcionamento que pretende usando o botão de seleção da função.

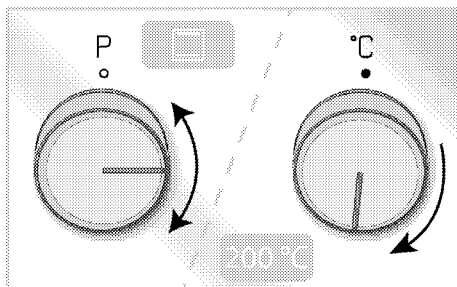
2. Definir a temperatura que pretende para cozinhar com o botão da temperatura..
3. Rodar o botão do temporizador para o símbolo ∞ .



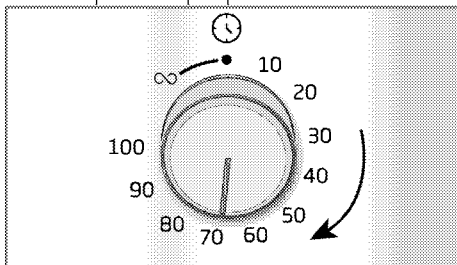
» O seu forno começará a funcionar imediatamente na função e temperatura selecionadas e a lâmpada da temperatura irá acender. Quando a temperatura no interior do forno atingir a temperatura definida, a lâmpada da temperatura apaga-se. O forno não se desliga automaticamente após a cozedura começar. Tem de controlar a cozedura e desligar o mesmo. Quando a sua cozedura estiver concluída, desligar o forno rodando o botão de seleção de função e o botão da temperatura e temporizador para a posição desligar (para cima).

Cozinha definindo o tempo de cozedura;

O forno pode desligar-se automaticamente no fim do tempo selecionando a temperatura e a função específica do funcionamento para os seus produtos alimentares e definir o tempo de cozedura no temporizador. Exemplo:



1. Selecionar a função de funcionamento que pretende usando o botão de seleção da função.
2. Definir a temperatura que pretende para cozinhar com o botão da temperatura..
3. Rodar o botão do temporizador para o tempo em que pretende cozinhar.



» O seu forno começará a funcionar imediatamente na função e temperatura selecionadas e a lâmpada da temperatura irá acender. Quando a temperatura no interior do forno atingir a temperatura definida, a lâmpada da temperatura apaga-se.

4. Quando o tempo da cozedura tiver terminado, o botão do temporizador roda automaticamente no sentido anti-horário. É ouvido um sinal sonoro e o forno para de cozinhar.
5. Se a sua cozedura estiver concluída, desligar o forno rodando o botão de seleção de função e o botão da temperatura para a posição desligar (para cima). Se pretender continuar, rodar o botão do temporizador de novo para um determinado tempo de cozedura. O forno continua a

funcionar na função e temperatura definidas.

Para desligar a cozedura mais cedo que o tempo que definiu.

1. Rodar o botão do temporizador no sentido horário até que o mesmo chegue à posição de desligado (para cima).
2. Desligar o forno rodando o botão de seleção de função e o botão da temperatura para a posição desligar (para cima).

6 Informação geral acerca da cozedura

Esta secção descreve dicas sobre a preparação e a cozedura dos seus alimentos.

Adicionalmente, pode também encontrar alguns alimentos testados pelos produtores e as definições mais apropriadas para estes alimentos. As definições apropriadas do forno e os acessórios para estes alimentos são igualmente indicados.

Advertências gerais acerca de cozinhar no forno

- Enquanto abrir a porta do forno durante ou após a cozedura, pode sair vapor quente que provoca queimaduras. O vapor pode queimar as suas mãos, rosto e/ou olhos. Quando abrir a porta do forno, deve manter-se afastado.
- O vapor intenso gerado durante a cozedura pode formar gotas de água condensada no interior e no exterior do forno e nas peças na parte superior dos móveis devido à diferença de temperatura. Este é uma ocorrência física e normal.
- A temperatura de cozedura e os valores do tempo atribuídos aos alimentos podem variar dependendo da receita e da quantidade. Por esta razão, estes valores são dados como intervalos.
- Remover sempre do forno os acessórios não utilizados antes de começar a cozinhar. Os acessórios que se irão manter no forno podem impedir que os alimentos sejam cozinhados nos valores corretos.
- Para os alimentos que irá cozinhar de acordo com a sua própria receita, pode basear-se em alimentos semelhantes indicados nas tabelas de cozedura.

- Utilizando os acessórios fornecidos assegura que obtém o melhor desempenho de cozedura. Deve respeitar sempre as advertências e a informação fornecida pelo fabricantes para os recipientes de cozinha externos que irá utilizar.
- Cortar o papel vegetal que vai usar na cozedura nos tamanhos adequados para o recipiente em que irá cozinhar. Os papéis vegetais que estiverem do lado de fora do recipiente podem criar um risco de queimaduras e afetar a qualidade da cozedura. Usar o papel vegetal que irá utilizar no intervalo de temperatura especificado.
- Para um bom desempenho da cozedura, colocar os alimentos na prateleira correta recomendada. Não alterar a posição da prateleira durante a cozedura.

Bolos e alimentos de forno Informação Geral

- Recomendamos a utilização dos acessórios do produto para um bom desempenho de cozedura. Se for utilizar recipientes de cozinha externos, deve preferir loiça escura, resistente ao calor e anti-aderente.
- Se for recomendado o pré-aquecimento na tabela de cozedura, assegurar que coloca os seus alimentos no forno após o pré-aquecimento.
- SE vai cozinhar usando recipientes de cozinha na grelha, deve colocar os mesmos no meio da grelha e não junto da parede traseira.
- Todos os materiais usados para fazer bolos devem estar limpos e à temperatura ambiente.
- O estado da cozedura dos produtos pode variar dependendo da

quantidade de alimentos e do tamanho dos recipientes.

- Os valores especificados na tabela de cozedura são determinados em resultado dos testes realizados nos nossos laboratórios. Os valores adequados para si podem ser diferentes destes valores.
- Colocar os seus alimentos na prateleira apropriada recomendada na tabela de cozedura. Considerar a prateleira inferior do forno como a prateleira 1.

Dicas para fazer bolos

- Se o bolo for demasiado seco, aumentar a temperatura em 10 °C e encurtar o tempo de cozedura.
- Se o bolo for húmido, usar uma pequena quantidade de líquido e diminuir a temperatura em 10 °C.
- Se a parte superior do bolo estiver queimada, colocar o mesmo na prateleira mais inferior, baixar a temperatura e aumentar o tempo de cozedura. Se a parte superior do bolo estiver queimada, coloque-a numa prateleira inferior, diminua a temperatura e aumente o tempo de cozimento.
- Se estiver bem cozido mas o exterior está pegajoso, usar uma pequena quantidade de líquido, reduzir a

temperatura e aumentar o tempo de cozedura.

Dicas para cozer produtos de pastelaria

- Se a massa for demasiado seca, aumentar a temperatura em 10 °C e encurtar o tempo de cozedura. Humidificar as folhas de massa com um molho que consiste numa mistura de leite, óleo, ovo e iogurte.
- Se os produtos de pastelaria ficarem cozidos lentamente, assegurar que a espessura dos mesmos preparados por si não excedem o tabuleiro.
- Se os produtos de pastelaria ficarem dourados à superfície para a base não estiver cozida, assegurar que a quantidade de molho que vai usar para os mesmos não é demasiada na base. Para que fiquem ainda mais dourados, deve tentar espalhar uniformemente o molho entre as folhas de massa e os produtos de pastelaria.
- Cozer os seus produtos de pastelaria na posição e na temperatura apropriadas conforme a tabela de cozedura. Se a base continuar a não estar suficientemente dourada, colocar a mesma na prateleira inferior para a cozedura seguinte.

Alimentos	Quantidade de tabuleiros	Acessório a ser usado	Função de funcionamento	Posicionamento da prateleira	Temperatura (°C)	Tempo de cozedura (min) (aprox.)
Bolos no tabuleiro	Tabuleiro individual	Tabuleiro normal*	Aquecimento superior e inferior	3	180	30 - 40
Volos na forma	Tabuleiro individual	Forma para bolo na grelha de arame**	Aquecimento superior e inferior	2	180	30 - 40
Bolos pequenos	Tabuleiro individual	Tabuleiro normal*	Aquecimento superior e inferior	3	160	25 - 35

Alimentos	Quantidade de tabuleiros	Acessório a ser usado	Função de funcionamento	Posicionamento da prateleira	Temperatura (°C)	Tempo de cozedura (min) (aprox.)
Pão-de-ló	Tabuleiro individual	Forma redonda para bolos, 26 cm de diâmetro com grampo na grelha de arame**	Aquecimento superior e inferior	2	160	30 - 40
Biscoito	Tabuleiro individual	Tabuleiro para produtos de pastelaria*	Aquecimento superior e inferior	3	170	25 - 35
Pastelaria com massa	Tabuleiro individual	Tabuleiro normal*	Aquecimento superior e inferior	2	200	35 - 45
Pastelaria rica	Tabuleiro individual	Tabuleiro normal*	Aquecimento superior e inferior	2	200	20 - 30
Pão integral	Tabuleiro individual	Tabuleiro normal*	Aquecimento superior e inferior	2	200	30 - 40
Lasanha	Tabuleiro individual	Recipiente retangular em metal/vidro na grelha de arame**	Aquecimento superior e inferior	2 ou 3	200	30 - 40
Tarte de maçã	Tabuleiro individual	Forma redonda de metal preto, 20 cm de diâmetro na grelha de arame**	Aquecimento superior e inferior	2	180	50 - 70
Pizza	Tabuleiro individual	Tabuleiro normal*	Aquecimento superior e inferior	2	200 - 220	10 - 20

Pré-aquecimento recomendado para todos os alimentos

* Estes acessórios podem não estar incluídos com o produto.

** Estes acessórios não estão incluídos com o seu produto. São acessórios que existem no mercado.

Carne, peixe e aves

Os pontos chave do grelhador

- Temperar os mesmos com sumo de limão e pimenta antes de cozinhar frango, peru e peças grandes de carne irá permitir um melhor desempenho da cozedura.
- Leva 15 a 30 minutos mais a cozinhar carne com osso do que fritar em filetes.
- Tem de calcular cerca de 4 ou 5 minutos do tempo de cozedura por centímetro de espessura da carne.
- Depois de o tempo de cozedura ter terminado, deixar a carne no forno durante cerca de 10 minutos. O suco da carne é melhor distribuído para a carne frita e não é libertado quando a carne é cortada.
- O peixe deve ser colocado numa prateleira num nível médio ou baixo numa prato resistente.

Alimentos	Quantidade de tabuleiros	Acessório a ser usado	Função de funcionamento	Posicionamento da prateleira	Temperatura (°C)	Tempo de cozedura (min) (aprox.)
Bife (inteiro) / Assar (1 kg)	Tabuleiro individual	Tabuleiro normal*	Aquecimento superior e inferior	3	15 mins. 250 /máx. depois 180 ... 190	60 ... 80

Alimentos	Quantidade de tabuleiros	Acessório a ser usado	Função de funcionamento	Posicionamento da prateleira	Temperatura (°C)	Tempo de cozedura (min) (aprox.)
Pemil de borrego (1,5 - 2,0 kg)	Tabuleiro individual	Tabuleiro normal*	Aquecimento superior e inferior	3	15 mins. 250 /máx. depois 170	110 ... 120
Frango assado (1,8- 2 kg)	Tabuleiro individual	Grelha de arame* Colocar um tabuleiro numa prateleira inferior	Aquecimento superior e inferior	2	15 mins. 250 /máx. depois 190	60 ... 80
Peru (5,5 kg)	Tabuleiro individual	Tabuleiro normal*	Aquecimento superior e inferior	1	25 mins. 250 /máx. depois 180 ... 190	150 ... 210
Peixe	Tabuleiro individual	Grelha de arame* Colocar um tabuleiro numa prateleira inferior	Aquecimento superior e inferior	3	200	20 ... 30

Pré-aquecimento recomendado para todos os alimentos

* Estes acessórios podem não estar incluídos com o produto.

** Estes acessórios não estão incluídos com o seu produto. São acessórios que existem no mercado.

Grelhador

Carne vermelha, peixe e carne de aves ficará rapidamente dourada quando grelhada, fica com uma crosta maravilhosa e não fica seca. Carnes em filetes, carnes no espeto, salsichas bem como vegetais suculentos (tomates, cebolas, etc.) são particularmente adequados para grelhar.

Advertências gerais

- Alimentos não adequados para grelhar e que podem provocar um risco de incêndio. Grelhar apenas alimentos que sejam adequados para fogo intenso do grelhador. Do mesmo modo, não colocar os alimentos demasiado afastados na parte de trás do grelhador. Esta é a zona mais quente e os alimentos muito gordos podem incendiar-se.
- **Fechar a porta do forno enquanto estiver a grelhar. Nunca grelhar com a porta do forno aberta. As superfícies quentes podem provocar queimaduras!**

Os pontos chave do grelhador

- Preparar os alimentos para grelhar com espessura e peso semelhantes tanto quanto possível.
- Colocar as peças a serem grelhadas na grelha ou no tabuleiro de arame do grelhador distribuindo as mesmas sem exceder as dimensões no aquecedor.
- Dependendo da espessura das peças a serem grelhadas, os tempos de cozedura dados na tabela podem variar.
- Deslizar a grelha ou o tabuleiro do grelhador para o nível pretendido no forno. Se estiver a cozinhar numa grelha, deslizar o tabuleiro do forno para a prateleira mais em baixo para recolher as gorduras. O tabuleiro do forno que vai deslizar deve estar dimensionado para cobrir toda a área do grelhador. Este tabuleiro pode não estar incluído com o produto. Colocar um pouco de água no tabuleiro do forno para uma limpeza mais fácil.

Mesa do grelhador

Alimentos	Acessório a ser usado	Posicionamento da prateleira	Temperatura (°C)	Tempo de cozedura (min) (aprox.)
Peixe	Grelha de arame	4 - 5	250	20 ... 25
Pedaços de galinha	Grelha de arame	4 - 5	250	25 ... 35
Almôndega (novilho) - 12 peças	Grelha de arame	4	250	20 ... 30
Costeletas de borrego	Grelha de arame	4 - 5	250	20 ... 25
Bife - (fatiado)	Grelha de arame	4 - 5	250	25 ... 30
Costeletas de vitela	Grelha de arame	4 - 5	250	25 ... 30
Gratinado de vegetais	Grelha de arame	4 - 5	220	20 ... 30
Pão torrado	Grelha de arame	4	250	1 ... 3

É recomendado pré-aquecer durante 5 minutos para todos os alimentos grelhados.

Rodar as peças dos alimentos após 1/2 do tempo total para o grelhado.

Testar os alimentos

Os alimentos nesta tabela de cozedura são preparados de acordo com a norma

EN 60350-1 para facilitar o teste do produto para fins de controlo.

Alimentos	Quantidade do tabuleiro	Acessório a ser usado	Função de funcionamento	Posicionamento da prateleira	Temperatura (°C)	Tempo de cozedura (min) (aprox.)
Biscoito amanteigado (biscoito doce)	Tabuleiro individual	Tabuleiro normal*	Aquecimento superior e inferior	3	140	20 ... 30
Bolos pequenos	Tabuleiro individual	Tabuleiro normal*	Aquecimento superior e inferior	3	160	25 ... 35
Pão-de-ló	Tabuleiro individual	Forma redonda para bolos, 26 cm de diâmetro com grampo na grelha de arame**	Aquecimento superior e inferior	2	160	30 ... 40
Tarte de maçã	Tabuleiro individual	Forma redonda de metal preto, 20 cm de diâmetro na grelha de arame**	Aquecimento superior e inferior	2	180	50 ... 70

Pré-aquecimento recomendado para todos os alimentos

* Estes acessórios podem não estar incluídos com o produto.

** Estes acessórios não estão incluídos com o seu produto. São acessórios que existem no mercado.

Grelhador

Alimentos	Acessório a ser usado	Posicionamento da prateleira	Temperatura (°C)	Tempo de cozedura (min) (aprox.)
Pão torrado	Grelha de arame	4	250	1 ... 3
Almôndega (novilho) - 12 peças	Grelha de arame	4	250	20 ... 30

Rodar os alimentos após 1/2 do tempo total para o grelhado.

É recomendado pré-aquecer durante 5 minutos para todos os alimentos grelhados.

7 Manutenção e cuidados

Informações gerais de limpeza

⚠️ Advertências gerais

- Deixar que o produto arrefeça antes de iniciar a limpeza do mesmo. As superfícies quentes podem provocar queimaduras!
- A duração do produto é alargada e os problemas ocorridos com frequência serão reduzidos se o equipamento for limpo com intervalos regulares.
- O produto deve ser completamente limpo após cada utilização. Portanto, os resíduos de alimentos são facilmente limpos e é evitado que estes resíduos se queimem quando o produto for usado novamente mais tarde.
- Não usar aparelhos de limpeza a vapor para limpar o aparelho.
- Alguns detergentes ou soluções de limpeza podem danificar a superfície. Não usar detergentes abrasivos, pós de limpeza, cremes de limpeza ou objetos afiados durante a limpeza.
- Não é necessário nenhuma solução de limpeza para limpar o produto. Limpar o produto usando um detergente para a loiça, água morna e uma pano macio ou esponja e secar o mesmo com um pano seco.
- Assegurar que limpa totalmente qualquer líquido que permaneça depois da limpeza e limpar imediatamente quaisquer salpicos de alimentos ocorridos durante a cozedura.

Superfícies em inox e aço inoxidável

- Não usar soluções de limpeza ácidos ou que contenham cloro para limpar

as superfícies de aço ou inox e as pegas.

- Limpar com um pano macio embebido e (que não provoque riscos) detergente líquido, tendo o cuidado de limpar num único sentido.
- Ao longo do tempo, pode ocorrer uma ligeira descoloração nas superfícies em inox e inoxidáveis. Isto não afeta a função o funcionamento deste produto.
- Remover de imediato as manchas de calcário, óleo, amidos e proteínas. As manchas podem enferrujar quando permanecerem por longos períodos de tempo.

Superfícies esmaltadas

- Após a utilização, limpar as superfícies esmaltadas usando um detergente para a loiça, água morna e uma pano macio ou esponja e secar as mesmas com um pano seco.
- Se o seu produto tiver a função de limpeza fácil a vapor, pode fazer esse tipo de limpeza para sujidade ligeira e não permanente. (Consultar a secção “Limpeza fácil a vapor”)
- No caso de contaminação excessiva com resíduos de alimentos queimados na superfície, usar lâ de arame em aço inoxidável e produto para limpeza de fornos.
- Pode obter o produto de limpeza de forno recomendado para superfícies esmaltadas num serviço autorizado. Não usar um produto de limpeza de fornos exterior..
- O forno tem de arrefecer para limpeza na zona de cozedura. A limpeza das superfícies quentes irá criar tanto um risco de incêndio como danos nas superfícies esmaltadas.

Superfícies catalíticas

- As paredes laterais na zona de cozedura podem apenas ser revestidas com paredes de esmalte ou catalíticas. Varia de acordo com o modelo.
- As paredes catalíticas têm uma cor mate clara e uma superfície porosa. As paredes catalíticas do forno não devem ser limpas.
- As superfícies absorvem o óleo graças à sua estrutura porosa e começam a brilhar quando a superfície está saturada com óleo, neste caso é recomendado substituir as mesmas.

Superfícies de vidro

- Quando da limpeza das superfícies de vidro, não usar raspadores de metal rijos e materiais de limpeza abrasivos. Podem danificar a superfície de vidro.
- Limpar com detergente para a loiça, água morna e uma pano macio ou esponja e secar os mesmos com um pano seco.
- Se após a limpeza ainda existir detergente residual, deve limpar o mesmo com água fria e secar com um pano macio. Os resíduos do detergente residual podem danificar a superfície de vidro da próxima vez que for utilizada.
- Em circunstância alguma os resíduos secos na superfície de vidro devem ser raspados com facas de serrilha, palha de aço ou ferramentas para raspar.
- Pode remover as manchas de calcário (manchas amarelas) na superfície de vidro com soluções descalcificadoras existentes no mercado, com uma solução descalcificante como vinagre ou sumo de limão.
- Se a superfície estiver muito suja, aplicar a solução de limpeza com uma esponja e aguardar o tempo

necessário para que a mesma atue devidamente. Nunca limpar a superfície de vidro com um pano húmido.

- As descolorações e as manchas na superfície de vidro são normais e não podem ser consideradas defeitos.

Peças em plástico e superfícies pintadas

- Limpar as peças de plástico e as superfícies pintadas usando um detergente para a loiça, água morna e uma pano macio ou esponja e secar os mesmos com um pano seco.
- Não usar raspadores de metal rijo ou soluções de limpeza abrasivas. Pode danificar as superfícies.

Limpar os acessórios

Exceto se especificado em contrário no manual do utilizador, não lavar os acessórios do produto na máquina de lavar loiça.

Limpar o painel de controlo

- Quando limpar os painéis de controlo, deve limpar o painel e os botões com um pano macio humedecido e secar bem com um pano seco. Não remover os botões e os vedantes que se encontram por baixo para limpar o painel. O painel de controlo e os botões podem ficar danificados.
- Limpar os painéis tácteis de controlo com um pano macio humedecido e secar com um pano seco. Se o seu produto estiver equipado com a função de bloqueio de teclas, deve definir o mesmo antes de iniciar a limpeza do painel de controlo. Caso contrário, pode ocorrer uma deteção incorreta nas teclas.

Limpar o interior do forno (zona de cozedura)

Seguir os passos de limpeza descritos na secção “Informação de limpeza

geral” de acordo com os tipos de superfície no seu forno.

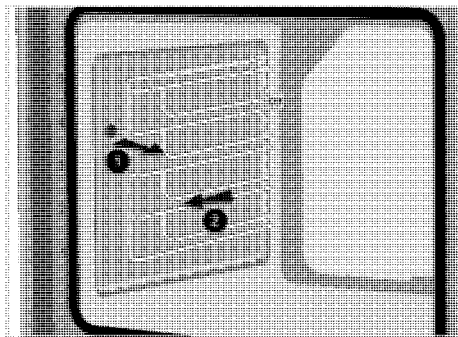
Limpar as paredes laterais do forno.

As paredes laterais na zona de cozedura podem apenas ser revestidas com paredes de esmalte ou catalíticas. Varia de acordo com o modelo. Se existir uma parede catalítica, consultar a secção das “Paredes catalíticas” para informação.

Se o seu produto for um modelo de prateleira de arame de aço, remover as mesmas antes da limpeza das paredes laterais. Depois completar a limpeza conforme descrito na secção “Informação de limpeza geral” de acordo com os tipos de superfície da parede lateral.

Para remover as prateleiras laterais em arame de aço:

1. Remover a parte frontal da prateleira em arame de aço puxando a mesma na parede lateral na direção oposta.
2. Puxar a prateleira de arame de aço em direção a si para a remover totalmente.

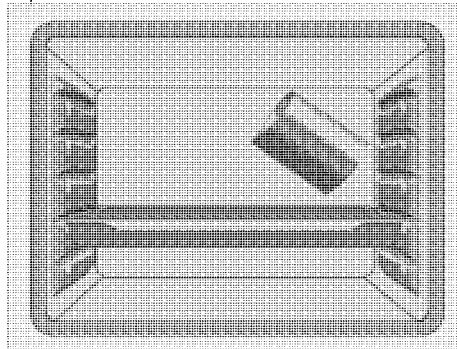


3. Para voltar a colocar as prateleiras, devem ser repetidos os procedimentos aplicados quando removeu as mesmas a partir do fim para o princípio, respetivamente.

Limpeza fácil a vapor

Assegura uma limpeza fácil porque a sujidade (se não tiver esperado demasiado tempo) é amaciada com o vapor que se forma no interior do forno e as gotas de água da condensação nas superfícies interiores do forno.

1. Retirar todos os acessórios do forno.
2. Verter 500 ml de água no tabuleiro do forno e colocar o tabuleiro na segunda prateleira do forno.



3. Colocar o forno no modo de limpeza fácil a vapor e deixar o mesmo a funcionar a 100 °C durante 25 minutos.
4. Abrir imediatamente a porta e limpar as superfícies interiores do forno com uma esponja ou pano humedecido. Quando abrir a porta, libertar-se-á vapor. Isso pode provocar um risco de queimaduras. Deve ser tido cuidado quando abrir a porta do forno.
5. Usar água morna com um líquido de lavagem, uma pano macio ou esponja para limpar a sujidade persistente e depois limpar com um pano seco.

i Durante o modo de limpeza fácil a vapor, a água que é colocada no tabuleiro para amaciar os resíduos/sujidade ligeiros formados na cavidade do forno e que irão evaporar e condensar-se na mesma e no vidro interior da porta do forno. Limpar a condensação assim que a porta do forno for aberta.

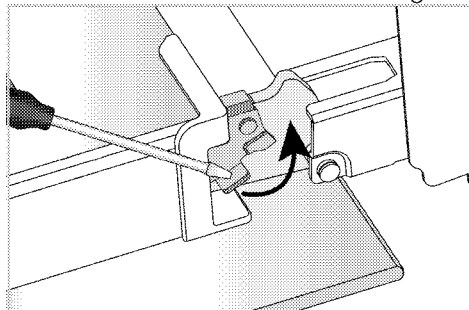
Limpar a porta do forno

i Não usar produtos de limpeza abrasivos, raspadores metálicos, materiais de lã de aço ou lixívia para limpar a porta do forno e o vidro.

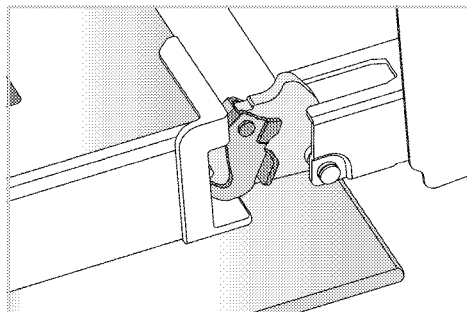
Pode remover a porta do forno e os vidros da porta para os limpar. Como remover as portas e janelas é explicado nas secções “Remover a porta do forno” e “Remover os vidros interiores da porta”. Depois de remover os vidros interiores, limpar os mesmos usando um detergente para a loiça, água morna e uma pano macio ou esponja e secar os mesmos com um pano seco.

Remover a porta do forno

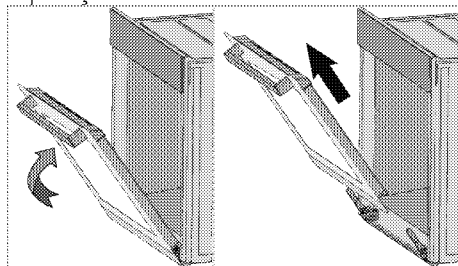
1. Abrir a porta do forno
2. Abrir os cliques na cavidade da dobradiça da porta frontal no lado direito e esquerdo premindo para baixo conforme mostrado na imagem.



Bloqueio da dobradiça - posição fechada



Bloqueio da dobradiça - posição aberta
3. Colocar a porta do forno numa posição de meio aberta.



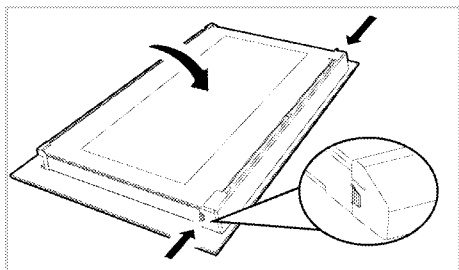
4. Puxar a +porta removida para cima para a libertar das dobradiças da direita e da esquerda e remover a mesma.

i Para voltar a colocar a porta, devem ser repetidos os procedimentos aplicados quando removeu a mesma a partir do fim para o princípio, respetivamente. Quando instalar a porta, assegurar que fecha os cliques na cavidade da dobradiça.

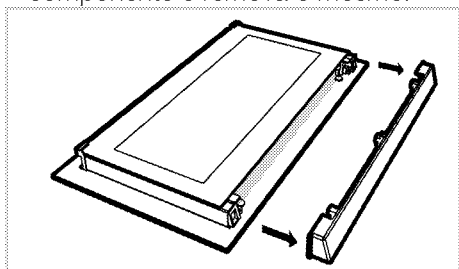
Remover o vidro interior da porta do forno

O vidro interior da porta frontal do produto pode ser removido para limpeza.

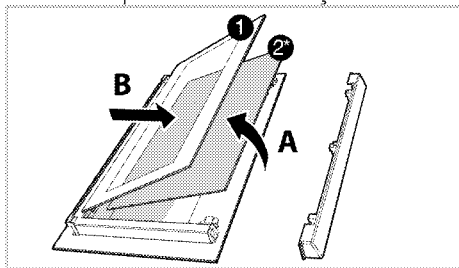
1. Abrir a porta do forno



2. Puxar em direção a si, o componente de plástico, encaixado na secção superior da porta frontal, premindo simultaneamente nos pontos de pressão de ambos os lados do componente e remova o mesmo.



3. Conforme mostrado na figura, levantar suavemente o vidro interior em direção a 'A' e depois remover o mesmo puxando em direção a 'B'.



1 Painel de vidro mais interior
2* Painel de vidro interior (Podem não existir no seu produto.)

4. Se o seu produto tiver um vidro interior (2), repita o mesmo processo para o remover (2).
5. O primeiro passo de remontagem da porta é voltar a colocar o vidro interior (2). Colocar o rebordo cinzelado do

vidro de encontro ao rebordo cinzelado da entrada em plástico. (Se o seu produto tiver um vidro interior) O vidro interior (2) tem de ser encaixado à entrada em plástico o mais perto possível do vidro mais interior (1).

6. Enquanto estiver a voltar a montar o vidro mais interior (1), deve prestar atenção para colocar o lado impresso do vidro no vidro interior. É importante colocar os cantos inferiores dos vidros mais interiores (1) para se ajustarem às entradas inferiores em plástico.
7. Empurrar o componente em plástico em direção à estrutura até ser ouvido o com de um "clique".

Limpar a lâmpada do forno

Na eventualidade de uma porta de vidro da lâmpada do forno na área de cozedura ficar suja; limpar com detergente de lavar a loiça, água morna e um pano macio ou esponja e secar com um pano seco. No caso de a lâmpada não funcionar, pode substituir a mesma seguindo os passos na secção seguinte.

Limpar a lâmpada do forno

⚠️ Advertências gerais

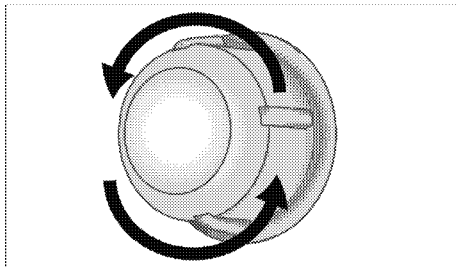
- Para evitar o risco de choque elétrico antes de substituir a lâmpada do forno, desligar o conetor elétrico e deixar que o forno arrefeça. As superfícies quentes podem provocar queimaduras!
- A lâmpada do forno é uma lâmpada elétrica especial resistente a 300 °C. As lâmpadas do forno podem ser obtidas nos Serviços Autorizados.
- A posição da lâmpada pode diferir da que é mostrada na imagem.
- A lâmpada usada neste produto não é adequada para usar na iluminação doméstica. A finalidade desta

lâmpada é ajudar o utilizador a ver os produtos alimentares.

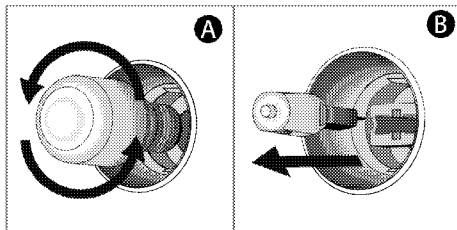
- As lâmpadas usadas neste produto devem suportar condições físicas extremas tal como temperaturas superiores a 50 °C.

Se o seu forno tiver uma lâmpada redonda.

1. Desligar o produto da eletricidade.
2. Remover a tampa de vidro rodando a mesma no sentido anti-horário.



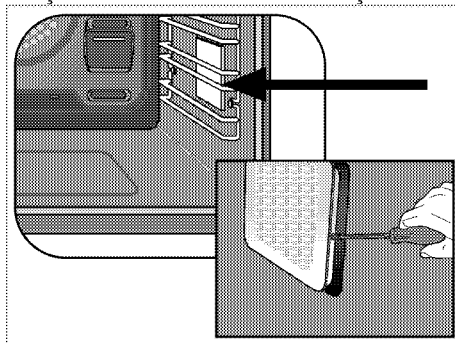
3. Se a lâmpada do forno for do tipo (A) mostrado na figura abaixo, rodar a lâmpada do forno conforme mostrado na figura e substituir a mesma por outra nova. Se for um modelo do tipo (B), puxar a mesma para fora como mostrado na figura e substituí-la por uma outra nova.



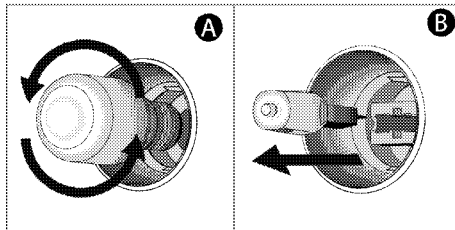
4. Voltar a colocar a tampa de vidro.

Se o seu forno tiver uma lâmpada quadrada.

1. Desligar o produto da eletricidade.
2. Remover as prateleiras de arame de aço de acordo com a descrição.



3. Levantar o vidro de proteção da lâmpada com uma chave de fendas.
4. Se a lâmpada do forno for do tipo (A) mostrado na figura abaixo, rodar a lâmpada do forno conforme mostrado na figura e substituir a mesma por outra nova. Se for um modelo do tipo (B), puxar a mesma para fora como mostrado na figura e substituí-la por uma outra nova.



5. Voltar a colocar a tampa de vidro e as prateleiras de arame de aço.

8 Resolução de problemas

Consultar o Agente de Assistência Autorizada ou um técnico portador de licença ou o comerciante onde o produto foi adquirido se não conseguir solucionar o problema ainda que tenha implementado as instruções nesta secção. Nunca tentar reparar de forma autónoma um produto avariado.

O forno produz vapor quando está a ser utilizado.

- É normal que haja libertação de vapor durante o funcionamento. >>> *Isto não é uma avaria.*

Durante a cozedura ocorre a formação de gotas de água.

- O vapor que surge durante a cozedura pode condensar e formar gotas de água quando a mesma toca nas superfícies frias do produto. >>> *Isto não é uma avaria.*

O produto emite ruídos metálicos enquanto está a aquecer e a arrefecer.

- Quando as partes metálicas estiverem quentes, podem expandir-se e provocar ruídos. >>> *Isto não é uma avaria.*

O produto não funciona.

- O fusível elétrico está defeituoso ou queimado. >>> *Verificar os fusíveis na caixa dos mesmos . Se necessário, substituir ou repor os mesmos.*
- O produto não está ligado na tomada (terra). >>> *Verificar a ligação da ficha.*
- Os botões/teclas no painel de controlo não funcionam. >>> *Se o seu produto estiver equipado com a função de bloqueio das teclas, o mesmo pode estar ativado. Deve desativar o mesmo.*

A lâmpada do forno não funciona.

- A lâmpada do forno está defeituosa. >>> *Substituir a lâmpada do forno.*
- Interrupção da alimentação. >>> *Verificar se há corrente. Verificar os fusíveis na caixa de fusíveis. Se necessário, substituir ou repor os mesmos.*

Forno não aquece.

- Pode não estar definido para uma determinada função de cozedura e/ou temperatura. >>> *Colocar o forno a uma determinada função de cozedura e/ou temperatura.*
- Nos modelos equipados com um temporizador, o temporizador não está regulado. >>> *Ajustar a hora.*
- Interrupção da alimentação. >>> *Verificar se há corrente. Verificar os fusíveis na caixa de fusíveis. Se necessário, substituir ou repor os mesmos.*

(Nos modelos com temporizador) O visor do relógio fica a piscar ou o símbolo do relógio está aceso.

- Ocorreu uma interrupção de energia anteriormente. >>> *Ajustar a hora/ Desligar o produto e voltar a ligar novamente.*

