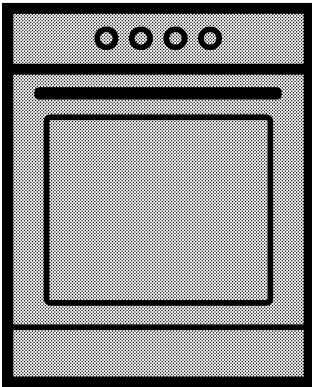


Oven

User manual



FSHT62111GX

EN | RO

285.3040.58/R.AB/01.12.2016

Please read this user manual first!

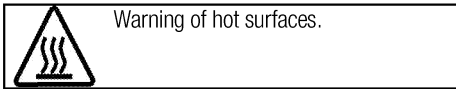
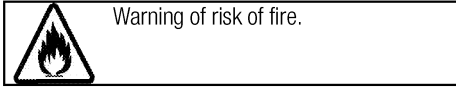
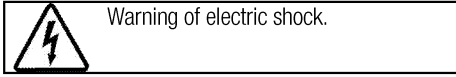
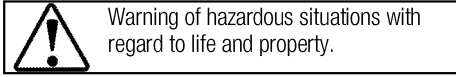
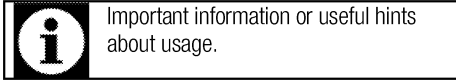
Dear Customer,

Thank you for purchasing this Beko product. We hope that you get the best results from your product which has been manufactured with high quality and state-of-the-art technology. Therefore, please read this entire user manual and all other accompanying documents carefully before using the product and keep it as a reference for future use. If you handover the product to someone else, give the user manual as well. Follow all warnings and information in the user manual.

Remember that this user manual is also applicable for several other models. Differences between models will be identified in the manual.

Explanation of symbols

Throughout this user manual the following symbols are used:



Arçelik A.Ş.
Karaağaç caddesi No:2-6
34445 Sütlüce/İstanbul/TURKEY
Made in TURKEY



This product was manufactured using the latest technology in environmentally friendly conditions.

TABLE OF CONTENTS

1 Important instructions and warnings for safety and environment 4

General safety	4
Safety when working with gas.....	4
Electrical safety	5
Product safety	6
Intended use	8
Safety for children.....	9
Disposing of the old product.....	9
Package information	9

2 General information 10

Overview	10
Package contents	11
Technical specifications	12
Injector table	13

3 Installation 14

Before installation	14
Installation and connection	14
Gas conversion.....	16
Future Transportation.....	18

4 Preparation 19

Tips for saving energy	19
Initial use.....	19
First cleaning of the appliance	19

5 How to use the hob 20

General information about cooking	20
Using the hobs.....	20

6 How to operate the oven 21

General information on baking, roasting and grilling.....	21
How to use the gas oven.....	21
Cooking times table.....	22
How to operate the gas grill	23
Cooking times table.....	24

7 Maintenance and care 25

General information.....	25
Cleaning the hob	25
Cleaning the control panel	25
Cleaning the oven	25
Removing the oven door	26
Removing the door inner glass	26
Replacing the oven lamp.....	27

8 Troubleshooting 28

1 Important instructions and warnings for safety and environment

This section contains safety instructions that will help protect from risk of personal injury or property damage. Failure to follow these instructions shall void any warranty.

General safety

- This appliance can be used by children aged from 8 years and above and persons with reduced physical, sensory or mental capabilities or lack of experience and knowledge if they have been given supervision or instruction concerning use of the appliance in a safe way and understand the hazards involved.

Children shall not play with the appliance. Cleaning and user maintenance shall not be made by children without supervision.

- If the product is handed over to someone else for personal use or second-hand use purposes, the user manual, product labels and other relevant documents and parts should be also given.
- Never place the product on a carpet-covered floor. Otherwise, lack of airflow beneath the product will cause electrical parts to overheat. This will cause problems with your product.
- Installation and repair procedures must always be performed by

Authorized Service Agents. The manufacturer shall not be held responsible for damages arising from procedures carried out by unauthorized persons which may also void the warranty. Before installation, read the instructions carefully.

- Do not operate the product if it is defective or has any visible damage.
- Ensure that the product function knobs are switched off after every use.

Safety when working with gas

- Any works on gas equipment and systems may only be carried out by authorised qualified persons who are Gas Safe registered.
- Prior to the installation, ensure that the local distribution conditions (nature of the gas and gas pressure) and the adjustment of the appliance are compatible.
- This appliance is not connected to a combustion products or evacuation device. It shall be installed and connected in accordance with current installation regulations. Particular attention shall be given to the relevant requirements regarding

ventilation; See *Before installation*, page 14

- The use of gas cooking appliance results in the production of heat and moisture in the room in which it is installed. Ensure that the kitchen is well ventilated: keep natural ventilation holes open or install a mechanical ventilation device (mechanical extractor hood). Prolonged intensive use of the appliance may call for additional ventilation, for example increasing the level of the mechanical ventilation where present.
- Gas appliances and systems must be regularly checked for proper functioning. Regulator, hose and its clamp must be checked regularly and replaced within the periods recommended by its manufacturer or when necessary.
- Clean the gas burners regularly. The flames should be blue and burn evenly.
- Good combustion is required in gas appliances. In case of incomplete combustion, carbon monoxide (CO) might develop. Carbon monoxide is a colourless, odourless and very toxic gas, which has a lethal effect even in very small doses.
- Request information about gas emergency telephone numbers

and safety measures in case of gas smell from you local gas provider.

What to do when you smell gas

- Do not use open flame or do not smoke. Do not operate any electrical buttons (e.g. lamp button, door bell and etc.) Do not use fixed or mobile phones. Risk of explosion and toxication!
- Open doors and windows.
- Turn off all valves on gas appliances and gas meter at the main control valve, unless it's in a confined space or cellar.
- Check all tubes and connections for tightness. If you still smell gas leave the property.
- Warn the neighbours.
- Call the fire-brigade. Use a telephone outside the house.
- Do not re-enter the property until you are told it is safe to do so.

Electrical safety

- If the product has a failure, it should not be operated unless it is repaired by an Authorized Service Agent. There is the risk of electric shock!
- Only connect the product to a grounded outlet/line with the voltage and protection as specified in the "Technical specifications". Have the grounding installation made by a qualified electrician while using

the product with or without a transformer. Our company shall not be liable for any problems arising due to the product not being earthed in accordance with the local regulations.

- Never wash the product by spreading or pouring water onto it! There is the risk of electric shock!
- Never touch the plug with wet hands! Never unplug by pulling on the cable, always pull out by holding the plug.
- The product must be disconnected during installation, maintenance, cleaning and repairing procedures.
- If the power connection cable for the product is damaged, it must be replaced by the manufacturer, its service agent or similarly qualified persons in order to avoid a hazard.
- The appliance must be installed so that it can be completely disconnected from the mains supply. The separation must be provided by a switch built into the fixed electrical installation, according to construction regulations.
- Rear surface of the oven gets hot when it is in use. Make sure that the gas/electrical connection does not contact the rear surface;

otherwise, connections can get damaged.

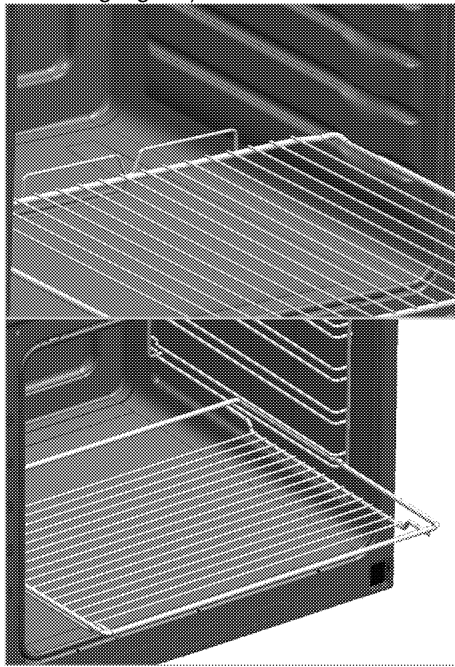
- Do not trap the mains cable between the oven door and frame and do not route it over hot surfaces. Otherwise, cable insulation may melt and cause fire as a result of short circuit.
- Any work on electrical equipment and systems should only be carried out by authorized and qualified persons.
- In case of any damage, switch off the product and disconnect it from the mains. To do this, turn off the fuse at home.
- Make sure that fuse rating is compatible with the product.

Product safety

- The appliance and its accessible parts become hot during use. Care should be taken to avoid touching heating elements. Children less than 8 years of age shall be kept away unless continuously supervised.
- Never use the product when your judgment or coordination is impaired by the use of alcohol and/or drugs.
- Be careful when using alcoholic drinks in your dishes. Alcohol evaporates at high temperatures and may cause fire since it can ignite when it comes into contact with hot surfaces.

- Food Poisoning Hazard: Do not let food sit in oven for more than 1 hour before or after cooking. Doing so can result in food poisoning or sickness.
- Do not place any flammable materials close to the product as the sides may become hot during use.
- During use the appliance becomes hot. Care should be taken to avoid touching heating elements inside the oven.
- Keep all ventilation slots clear of obstructions.
- Do not heat closed tins and glass jars in the oven. The pressure that would build-up in the tin/jar may cause it to burst.
- Do not place baking trays, dishes or aluminium foil directly onto the bottom of the oven. The heat accumulation might damage the bottom of the oven.
- Do not use harsh abrasive cleaners or sharp metal scrapers to clean the oven door glass since they can scratch the surface, which may result in shattering of the glass.
- Do not use steam cleaners to clean the appliance as this may cause an electric shock.
- (Varies depending on the product model.)

Placing the wire shelf and tray onto the wire racks properly
It is important to place the wire shelf and/or tray onto the rack properly. Slide the wire shelf or tray between 2 rails and make sure that it is balanced before placing food on it (Please see the following figure).



- Do not use the product if the front door glass removed or cracked.
- Do not use the oven handle to hang towels for drying. Do not hang up towel, gloves, or similar textile products when the grill function is at open door.
- Always use heat resistant oven gloves when putting in or

removing dishes into/from the hot oven.

- Place the baking paper into the cooking pot or on to the oven accessory (tray, wire grill etc) together with the food and then insert all into the preheated oven. Remove the excess parts of the baking paper overflowing from the accessory or the pot in order to prevent the risk of touching the oven's heating elements. Never use the baking paper in an operating temperature higher than the indicated value for the baking paper. Do not place the baking paper directly on the base of the oven.
- Ensure that the appliance is disconnected from mains before replacing the lamp to avoid the possibility of electric shock.
- Do not close the top cover before the hotplates or burners cool down.
Wipe the top cover dry before opening it in order to avoid water leakage to the rear and inner sections of the oven.
- Unattended cooking on a hob with fat or oil can be dangerous and may result in fire. NEVER try to extinguish a fire with water, but switch off the appliance and then cover flame e.g. with a lid or a fire blanket.

- Danger of fire: Do not store items on the cooking surfaces.

Prevention against possible fire risk!

- Ensure all electrical connections are secure and tight to prevent risk of arcing.
- Do not use damaged cables or extension cables.
- Ensure liquid or moisture is not accessible to the electrical connection point.
- To prevent gas leakage ensure that the gas connection is sound.

Intended use

- This product is designed for domestic use. Commercial use will void the guarantee.
- This appliance is for cooking purposes only. It must not be used for other purposes, for example room heating.
- This product should not be used for warming the plates under the grill, drying towels, dish cloths etc. by hanging them on the oven door handles. This product should also not be used for room heating purposes.
- The manufacturer shall not be liable for any damage caused by improper use or handling errors.
- The oven can be used for defrosting, baking, roasting and grilling food.

Safety for children

- Accessible parts may become hot during use. Young children should be kept away.
- The packaging materials will be dangerous for children. Keep the packaging materials away from children. Please dispose of all parts of the packaging according to environmental standards.
- Electrical and/or gas products are dangerous to children. Keep children away from the product when it is operating and do not allow them to play with the product.
- An additional protective means to avoid contact with the oven door is available. This part should be fitted when young children are likely to be present.
- Do not place any items above the appliance that children may reach for.
- When the door is open, do not load any heavy object on it and do

not allow children to sit on it. It may overturn or door hinges may get damaged.

Disposing of the old product

Compliance with the WEEE Directive and Disposing of the Waste Product:



This product complies with EU WEEE Directive (2012/19/EU). This product bears a classification symbol for waste electrical and electronic equipment (WEEE).

This product has been manufactured with high quality parts and materials which can be reused and are suitable for recycling. Do not dispose of the waste product with normal domestic and other wastes at the end of its service life. Take it to the collection center for the recycling of electrical and electronic equipment. Please consult your local authorities to learn about these collection centers.

Compliance with RoHS Directive:

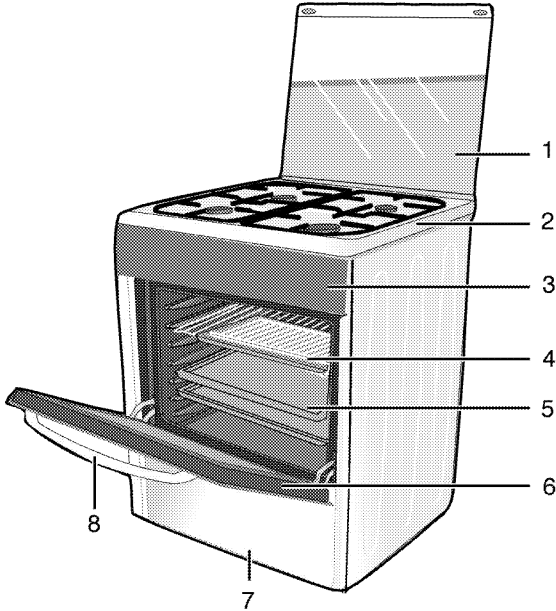
The product you have purchased complies with EU RoHS Directive (2011/65/EU). It does not contain harmful and prohibited materials specified in the Directive.

Package information

- Packaging materials of the product are manufactured from recyclable materials in accordance with our National Environment Regulations. Do not dispose of the packaging materials together with the domestic or other wastes. Take them to the packaging material collection points designated by the local authorities.

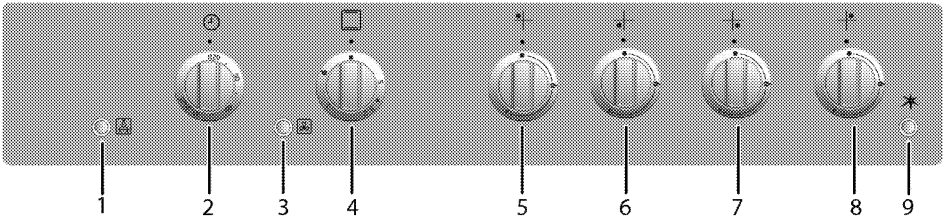
2 General information

Overview



- 1 Top lid
- 2 Burner plate
- 3 Control panel
- 4 Wire shelf

- 5 Tray
- 6 Front door
- 7 Lower part
- 8 Handle



- 1 Lamp and Turnspit button
- 2 Mechanical timer
- 3 Fan button
- 4 Oven knob
- 5 Normal burner Rear left

- 6 Rapid burner Front left
- 7 Auxiliary burner Front right
- 8 Normal burner Rear right
- 9 Ignition button

Package contents

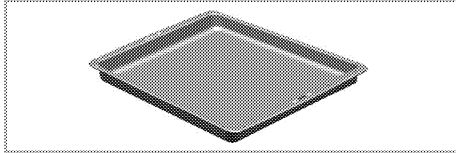


Accessories supplied can vary depending on the product model. Not every accessory described in the user manual may exist on your product.

1. **User manual**

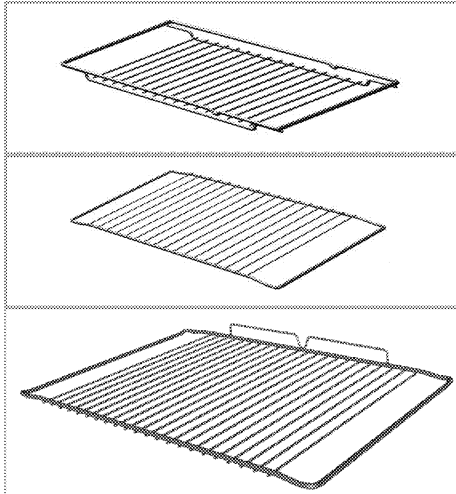
2. **Oven tray**

Used for pastries, frozen foods and big roasts.



3. **Wire Shelf**

Used for roasting and for placing the food to be baked, roasted or cooked in casserole dishes to the desired rack.

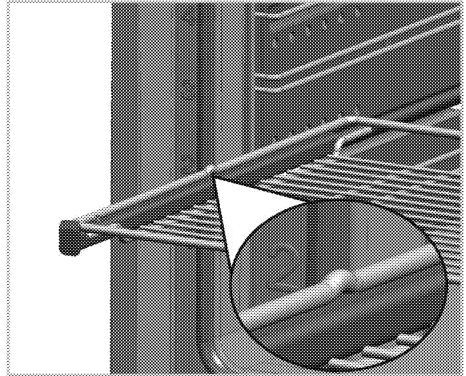
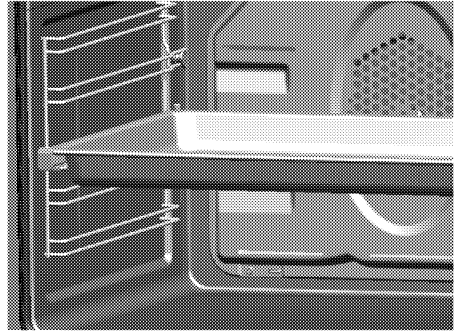


4. **Placing the wire shelf and tray onto the telescopic racks properly**

(This feature is optional. It may not exist on your product.)

Telescopic racks allow you to install and remove the trays and wire shelf easily.

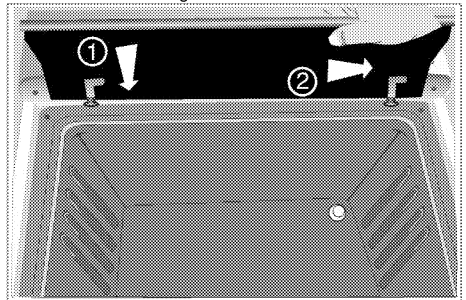
When using the tray and wire shelf with telescopic racks, make sure that the pins at the rear section of the telescopic rack stands against the edges of the wire shelf and tray.



5. **Knob protection sheet**

Used for grilling with the oven door open.

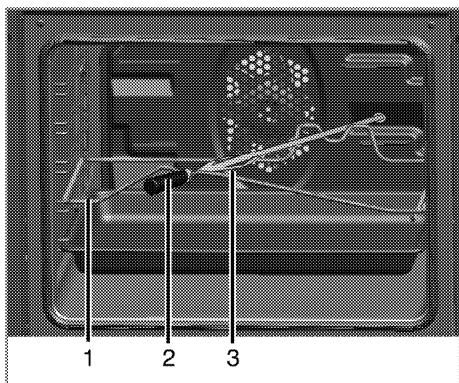
Protects the control panel and buttons against heat and soiling.



6. **Rotisserie chicken**

Used to grill meat, poultry and fish evenly from all sides.

- Fix the food to be grilled to the turn spit with the forks.
- Place the turn spit frame into the oven by aligning it with the turn spit driver.
- Insert the sharp edge of the turn spit into the turn spit driver and place the turn spit onto the turn spit frame.
- Remove the spit handle while grilling.



- 1 Turn spit frame
- 2 Plastic handle *
- 3 Fork
- * (Varies depending on the product model.)

Technical specifications

GENERAL	
External dimensions (height / width / depth)	850 mm/600 mm/600 mm
Voltage / frequency	220-240 V ~ 50 Hz
Fuse	3 A
Cable type / section	min.H05VV-FG 3 x 0,75 mm ²
Category of gas product	II 2H3B/P
Gas type / pressure	NG G 20/20 mbar
Total gas consumption	10.4 kW
Converting the gas type / pressure ^S	G 30/28-30 mbar
- optional	
HOB	
Burners	
Rear left	Normal burner
Power	2kW
Front left	Rapid burner
Power	2.9 kW
Front right	Auxiliary burner
Power	1kW
Rear right	Normal burner
Power	2 kW
OVEN/GRILL	
Main oven	Gas oven
Inner lamp	15-25 W
Grill power consumption	2.5 kW
Gas consumption of oven	2.5 kW



Technical specifications may be changed without prior notice to improve the quality of the product.



Figures in this manual are schematic and may not exactly match your product.




Values stated on the product labels or in the documentation accompanying it are obtained in laboratory conditions in accordance with relevant standards. Depending on operational and environmental conditions of the product, these values may vary.


Injector table


Position hob zone	2kW Rear left	2.9 kW Front left	1kW Front right	2 kW Rear right
Gas type / Gas pressure				
G 20/20 mbar	103	115	72	103
G 30/28-30 mbar	72	87	50	72
Gas type / Gas pressure	Gas oven		Grill	
G 20/20 mbar	115		115	
G 30/28-30 mbar	73		73	

3 Installation

Product must be installed by a qualified person in accordance with the regulations in force. The manufacturer shall not be held responsible for damages arising from procedures carried out by unauthorized persons which may also void the warranty.

 Preparation of location and electrical and gas installation for the product is under customer's responsibility.

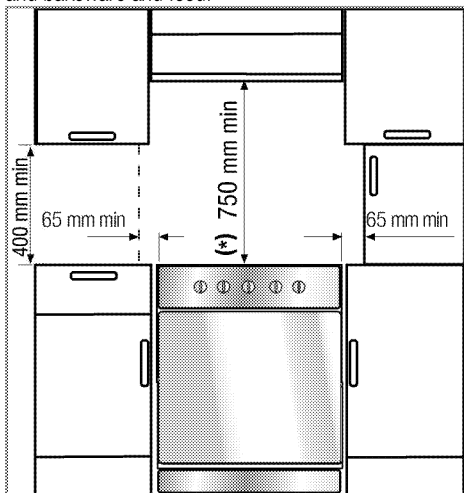
 **DANGER:**
The product must be installed in accordance with all local gas and/or electrical regulations.

 **DANGER:**
Prior to installation, visually check if the product has any defects on it. If so, do not have it installed.
Damaged products cause risks for your safety.

Before installation

To ensure that critical air gaps are maintained under the appliance, we recommend that this appliance is mounted on a solid base and that the feet do not sink into any carpet or soft flooring.

The kitchen floor must be able to carry the weight of the appliance plus the additional weight of cookware and bakeware and food.



- It can be used with cabinets on either side but in order to have a minimum distance of 400mm above hotplate level allow a side clearance of 65mm between the appliance and any wall, partition or tall cupboard.

- It can also be used in a free standing position. Allow a minimum distance of 750 mm above the hob surface.
- (*) If a cooker hood is to be installed above the cooker, refer to cooker hood manufacturer' instructions regarding installation height (min 650 mm).
- The appliance corresponds to device class 1, i.e. it may be placed with the rear and **one** side to kitchen walls, kitchen furniture or equipment of any size. The kitchen furniture or equipment on the **other** side may only be of the same size or smaller.
- Any kitchen furniture next to the appliance must be heat-resistant (100 °C min.).

Room ventilation


All rooms require an openable window, or equivalent, and some rooms will require a permanent vent as well. The air for combustion is taken from the room air and the exhaust gases are emitted directly into the room. Good room ventilation is essential for safe operation of your appliance. If there is no window or door available for room ventilation, an extra ventilation must be installed.

The appliance may be located in a kitchen, kitchen/diner or a bed-sitting room, but not in a room containing a bath or shower. The appliance must not be installed in a bed-sitting room of less than 20m³. Do not install this appliance in a room below ground level unless it is open to ground level on at least one side.

Room size	Ventilation opening
smaller than 5 m ³	min. 100 cm ²
5 m ³ to 10 m ³	min. 50 cm ²
greater than 10 m ³	not required
In the cellar or basement	min. 65 cm ²

Installation and connection

Product can only be installed and connected in accordance with the statutory installation rules.

 Do not install the product next to refrigerators or freezers. The heat emitted by the product will increase the energy consumption of cooling appliances.

- Carry the product with at least two persons.

- Product must be placed directly on the floor. It must not be placed onto a base or a pedestal.



Do not use the door and/or handle to carry or move the product. The door, handle or hinges get damaged.

Electrical connection

Connect the product to a grounded outlet/line protected by a fuse of suitable capacity as stated in the "Technical specifications" table. Have the grounding installation made by a qualified electrician while using the product with or without a transformer. Our company shall not be liable for any damages that will arise due to using the product without a grounding installation in accordance with the local regulations.



DANGER:

The product must be connected to the mains supply only by an authorised and qualified person. The product's warranty period starts only after correct installation. Manufacturer shall not be held responsible for damages arising from procedures carried out by unauthorised persons.



DANGER:

The power cable must not be clamped, bent or trapped or come into contact with hot parts of the product.

A damaged power cable must be replaced by a qualified electrician. Otherwise, there is risk of electric shock, short circuit or fire!

The mains supply data must correspond to the data specified on the type label of the product. The rating plate is either seen when the door or the lower cover is opened or it is located at the rear wall of the unit depending on the unit type.

Power cable of your product must comply with the values in "Technical specifications" table.



Power cable plug must be within easy reach after installation (do not route it above the hob).



DANGER:

Before starting any work on the electrical installation, disconnect the product from the mains supply.

There is the risk of electric shock!

Connect the power cable into the socket.

Gas connection



DANGER:

Product can be connected to gas supply system only by an authorised and qualified person or technician with licence.

Risk of explosion or toxication due to unprofessional repairs!

Manufacturer shall not be held responsible for damages arising from procedures carried out by unauthorised or unlicensed persons.



DANGER:

Before starting any work on the gas installation, disconnect the gas supply. There is the risk of explosion!

- Gas adjustment conditions and values are stated on labels (or ion type label).



Your product is equipped for natural gas (NG).

- Natural gas installation must be prepared before installing the product.
- There must be a pipe (Piping advised to be bought from a licensed installer), must comply with local gas standard, at the outlet of the installation for the natural gas connection of your product and the tip of this pipe must be closed with a blind plug. Service Representative will remove the blind plug during connection and connect your product by means of a straight connection device (coupling).
- Make sure that the natural gas valve is readily accessible.
- If you need to use your product later with a different type of gas, you must consult the Authorised Service Agent for the related conversion procedure.



DANGER:

The gas hose must not be clamped, bent or trapped or come into contact with hot parts of the product.

There is the risk of explosion due to damaged gas hose.

- Push the product towards the kitchen wall.
- **Adjusting the feet of oven**
Vibrations during use may cause cooking vessels to move. This dangerous situation can be avoided if the product is level and balanced. For your own safety please ensure the product is level by adjusting the four feet at the bottom by turning left or right and align level with the work top.

Final check

1. Check electrical functions.
2. Open gas supply.
3. Check gas installations for secure fitting and tightness.
4. Ignite burners and check appearance of the flame.



Flame must be blue and have a regular shape. If the flame is yellowish, check if the burner cap is seated securely or clean the burner.

Gas conversion



DANGER:

Before starting any work on the gas installation, disconnect the gas supply. There is the risk of explosion!

In order to change your appliance's gas type, change all injectors and make flame adjustment for all valves at reduced flow rate position.

Exchange of injector for the burners

1. Take off burner cap and burner body.
2. Unscrew injectors by turning the counter-clockwise.
3. Fit new injectors.
4. Check all connections for secure fitting and tightness.

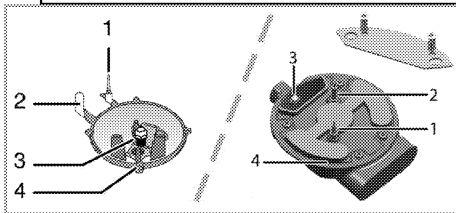


New injectors have their position marked on their packing or injector table on *injector table, page 13* can be referred to.



((Varies depending on the product model.))

On some hob burners, the injector is covered with a metal piece. This metal cover must be removed for injector replacement.



- 1 Flame failure device (model dependant)
- 2 Spark plug
- 3 Injector
- 4 Burner



Unless there is an abnormal condition, do not attempt to remove the gas burner taps. You must call an Authorised service agent or technician with licence if it is necessary to change the taps.

Reduced gas flow rate setting for hob taps

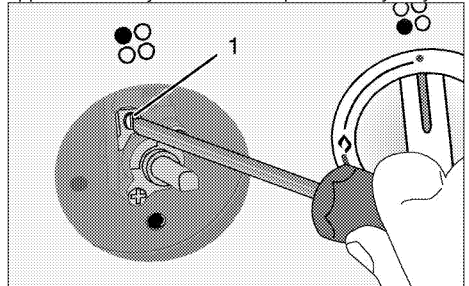
1. Ignite the burner that is to be adjusted and turn the knob to the reduced position.
2. Remove the knob from the gas tap.
3. Use an appropriately sized screwdriver to adjust the flow rate adjustment screw.

For LPG (Butane - Propane) turn the screw clockwise. For the natural gas, you should turn the screw **counter-clockwise** once.

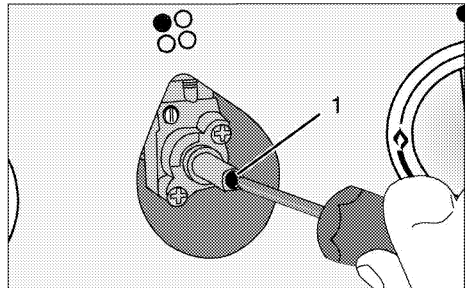
» The normal length of a straight flame in the reduced position should be 6-7 mm.

4. If the flame is higher than the desired position, turn the screw clockwise. If it is smaller turn anticlockwise.
5. For the last control, bring the burner both to high-flame and reduced positions and check whether the flame is on or off.

Depending on the type of gas tap used in your appliance the adjustment screw position may vary.



1 Flow rate adjustment screw

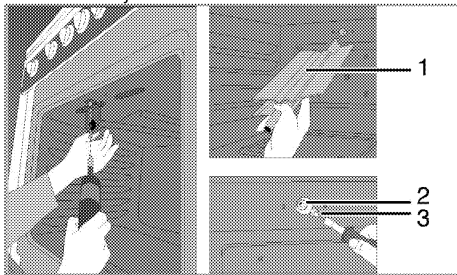


1 Flow rate adjustment screw

Exchange of injector for the grill

1. Open the front door.

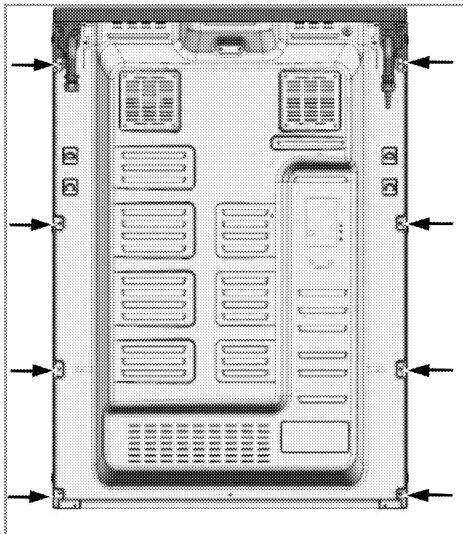
2. Unscrew the screw of grill burner.
3. Slightly pull the grill burner (1) to lift it free with its link(s) on the rear side connected.
4. Unscrew injector by turning to counter-clockwise direction.
5. Fit new injector.



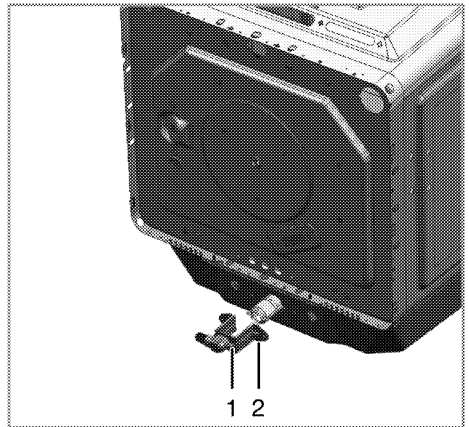
- 1 Grill burner
- 2 Injector holder
- 3 Injector

Exchange of injector for the oven

1. Unscrew fastening screws of the back wall.



2. Unscrew the 2 screws (2) of the injector holder (1).

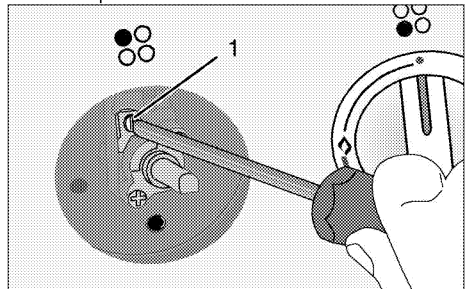


- 1 Injector holder
- 2 Screw
3. Pull out the injector holder.
4. Unscrew injector by turning to counter-clockwise direction.
5. Fit new injector.

Reduced flow adjustment for the gas oven

For the appropriate functioning of the oven re-checking the by-pass adjustment is extremely important. In order to provide maximum security to the user these operations have to be done with care.

1. Ignite the burner that is to be adjusted and turn the knob to the high flame position.
2. Close the oven door and wait for 10 to 15 minutes until the oven becomes ready for adjustment.
3. Take out the knob
4. After 15 minutes, adjust the oven to the lowest flame position.




5. Set the flame length to 2 to 3 mm by means of the screw 1 on the oven tap. Turning in clockwise direction reduces the flame, turning counter-clockwise increases the flame.

i If gas flow rate of oven cannot be set with removing knob, please remove the needed oven parts (control panel, burner plate etc.) and then set the gas flow rate of oven.

i If the temperature of the oven increases unintendedly, turn off the oven and call the authorised service agent or technician with licence to have oven thermostat repaired.

i If the gas type of the unit is changed, then the rating plate that shows the gas type of the unit must also be changed.

Butan/propan	Natural gas
Tighten the screw by turning it clockwise until the end.	Loosen the screw 1/2 round
	

Future Transportation

- Keep the product's original carton and transport the product in it. Follow the instructions on the carton. If you do not have the original carton, pack the product in bubble wrap or thick cardboard and tape it securely.
- To prevent the wire grill and tray inside the oven from damaging the oven door, place a strip of cardboard onto the inside of the oven door that lines up with the position of the trays. Tape the oven door to the side walls.
- Secure the caps and pan supports with adhesive tape.
- Do not use the door or handle to lift or move the product.

i Do not place any objects onto the product and move it in upright position.

i Check the general appearance of your product for any damages that might have occurred during transportation.

4 Preparation

Tips for saving energy

The following information will help you to use your appliance in an ecological way, and to save energy:

- Use dark coloured or enamel coated cookware in the oven since the heat transmission will be better.
- While cooking your dishes, perform a preheating operation if it is advised in the user manual or cooking instructions.
- Do not open the door of the oven frequently during cooking.
- Try to cook more than one dish in the oven at the same time whenever possible. You can cook by placing two cooking vessels onto the wire shelf.
- Cook more than one dish one after another. The oven will already be hot.
- Defrost frozen dishes before cooking them.
- Use pots/pans with cover for cooking. If there is no cover, energy consumption may increase 4 times.

- Select the burner which is suitable for the bottom size of the pot to be used. Always select the correct pot size for your dishes. Larger pots require more energy.

Initial use

First cleaning of the appliance



The surface might get damaged by some detergents or cleaning materials.

Do not use aggressive detergents, cleaning powders/creams or any sharp objects during cleaning.

Do not use harsh abrasive cleaners or sharp metal scrapers to clean the oven door glass since they can scratch the surface, which may result in shattering of the glass.

1. Remove all packaging materials.
2. Wipe the surfaces of the appliance with a damp cloth or sponge and dry with a cloth.

5 How to use the hob

General information about cooking



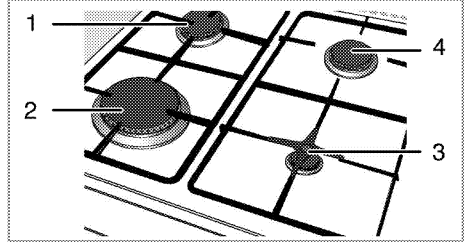
Never fill the pan with oil more than one third of it. Do not leave the hob unattended when heating oil. Overheated oils bring risk of fire. **Never attempt to extinguish a possible fire with water!** When oil catches fire, cover it with a fire blanket or damp cloth. Turn off the hob if it is safe to do so and call the fire department.

- Before frying foods, always dry them well and gently place into the hot oil. Ensure complete thawing of frozen foods before frying.
- Do not cover the vessel you use when heating oil.
- Place the pans and saucepans in a manner so that their handles are not over the hob to prevent heating of the handles. Do not place unbalanced and easily tilting vessels on the hob.
- Do not place empty vessels and saucepans on cooking zones that are switched on. They might get damaged.
- Operating a cooking zone without a vessel or saucepan on it will cause damage to the product. Turn off the cooking zones after the cooking is complete.
- As the surface of the product can be hot, do not put plastic and aluminum vessels on it. Such vessels should not be used to keep foods either.
- Use flat bottomed saucepans or vessels only.
- Put appropriate amount of food in saucepans and pans. Thus, you will not have to make any unnecessary cleaning by preventing the dishes from overflowing.
Do not put covers of saucepans or pans on cooking zones.
Place the saucepans in a manner so that they are centered on the cooking zone. When you want to move the saucepan onto another cooking zone, lift and place it onto the cooking zone you want instead of sliding it.

Gas cooking

- Size of the vessel and the flame must match each other. Adjust the gas flames so that they will not extend the bottom of the vessel and center the vessel on saucepan carrier.

Using the hobs



- 1 Normal burner 18-20 cm
- 2 Rapid burner 22-24 cm
- 3 Auxiliary burner 12-18 cm
- 4 Normal burner 18-20 cm is list of advised diameter of pots to be used on related burners.

Large flame symbol indicates the highest cooking power and small flame symbol indicates the lowest cooking power. In turned off position (top), gas is not supplied to the burners.

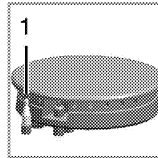
Igniting the gas burners

1. Keep burner knob pressed.
2. Turn it counter clockwise to large flame symbol.
» Gas is ignited with the spark created.
3. Adjust it to the desired cooking power.

Turning off the gas burners

Turn the knob to off (upper) position.

Gas shut off safety system (in models with thermic component)



As a counter measure against blow out due to fluid overflows at burners, safety mechanism trips and shuts off the gas.

1. Gas shut off safety

- Push the knob inwards and turn it counter clockwise to ignite.
- After the gas ignites, keep the knob pressed for 3-5 seconds more to engage the safety system.
- If the gas does not ignite after you press and release the knob, repeat the same procedure by keeping the knob pressed for 15 seconds.



DANGER:

Release the button if the burner is not ignited within 15 seconds.

Wait at least 1 minute before trying again. There is the risk of gas accumulation and explosion!

6 How to operate the oven

General information on baking, roasting and grilling



WARNING

Hot surfaces cause burns!
Product may be hot when it is in use. Never touch the hot burners, inner sections of the oven, heaters and etc. Keep children away. Always use heat resistant oven gloves when putting in or removing dishes into/from the hot oven.



DANGER:

Be careful when opening the oven door as steam may escape.
Exiting steam can scald your hands, face and/or eyes.

Tips for baking

- Use non-sticky coated appropriate metal plates or aluminum vessels or heat-resistant silicone moulds.
- Make best use of the space on the rack.
- Place the baking mould in the middle of the shelf.
- Select the correct rack position before turning the oven or grill on. Do not change the rack position when the oven is hot.
- Keep the oven door closed.

Tips for roasting

- Treating whole chicken, turkey and large piece of meat with dressings such as lemon juice and black pepper before cooking will increase the cooking performance.
- It takes about 15 to 30 minutes longer to roast meat with bones when compared to roasting the same size of meat without bones.
- Each centimeter of meat thickness requires approximately 4 to 5 minutes of cooking time.
- Let meat rest in the oven for about 10 minutes after the cooking time is over. The juice is better distributed all over the roast and does not run out when the meat is cut.
- Fish should be placed on the middle or lower rack in a heat-resistant plate.

Tips for grilling

When meat, fish and poultry are grilled, they quickly get brown, have a nice crust and do not get dry. Flat pieces, meat skewers and sausages are particularly suited for grilling as are vegetables with high water content such as tomatoes and onions.

- Distribute the pieces to be grilled on the wire shelf or in the baking tray with wire shelf in such a way that the space covered does not exceed the size of the heater.
- Slide the wire shelf or baking tray with grill into the desired level in the oven. If you are grilling on the wire shelf, slide the baking tray to the lower rack to collect fats. Add some water in the tray for easy cleaning.



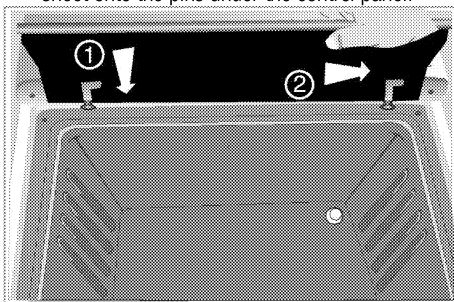
Foods that are not suitable for grilling carry the risk of fire. Only grill food which is suitable for intensive grilling heat.

Do not place the food too far in the back of the grill. This is the hottest area and fatty food may catch fire.

Install knob protection sheet.

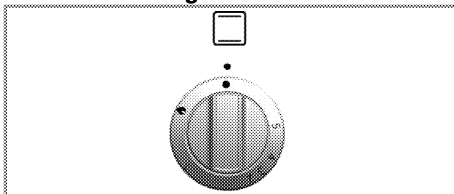
Knob protection sheet is used for grilling with the oven door open. Protects the control panel and buttons against heat and soiling.

1. Open the oven door and place the knob protection sheet onto the pins under the control panel.



» When knob protection sheet is installed, oven door remains open.

How to use the gas oven



The gas oven is operated by the gas oven control knob. In off position (top) the gas supply is Off. If you turn on fan while using gas oven, you can get more homogeneous cooking.

Switch on the gas oven

The gas oven is ignited with the ignition button.

1. Open oven door.
2. Keep gas oven control knob pressed and turn it **counterclockwise**.
3. Press ignition button and release it again.
4. Keep the gas oven control knob pressed for 3 to 5 seconds.

» Repeat the process until the emanating gas is ignited.

5. Keep the gas oven control knob pressed for another 3 to 5 seconds. Be sure that gas has ignited and flame is present.
6. Select the desired baking power/ gas mark.

7. If there is no electricity; ignite the gas with the gas lighter from the ignition control hole.



DANGER:

There is the risk of gas compression and explosion!

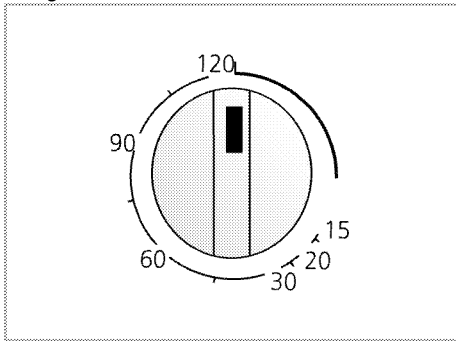
Do not attempt to ignite the gas more than 15 seconds. If the burner is not ignited within 15 seconds, turn off the knob and wait for 1 minute. Ventilate the room before reattempting to ignite the burner. There is the risk of gas compression and explosion!

Switch off the gas oven

1. Turn gas oven control knob to off position (top).
Gas level temperature chart

Gas level	1	2	3	4	5
Temperature in °C	170	180	200	230	280

Using the clock as an alarm



The alarm clock has no influence on the functions of the oven. It is only used as a warning. For example, this is useful when you want to turn food in the oven at a certain point of time. Alarm clock will give a signal once the time you set is over.

Setting the alarm clock

1. Turn the Time Adjustment knob clockwise to determine for how long the alarm will sound.

Baking and roasting

Food	Preheating *	Insertion level	Control knob position	Cooking time
Apple pie	10 min.	3	1	60...70 min.
Fruit tart	10 min.	3	1	60...70 min.
Pie	10 min.	3	1	60...70 min.
Cookies	10 min.	4	1..2	30...40 min.
Pastry	10 min.	3..4	1..2	40...50 min.
Cake	10 min.	3	1..2	60...70 min.
Biscuits	10 min.	4	1..2	30...40 min.
Roast lamb	10 min.	4..5	3	35...45 min. per 450 g + 30 min.
Roast Beef	10 min.	3..4	3	100...130 min. per 450 g + 30 min.
Turkey	10 min.	3	3	100...130 min. per 450 g + 30 min.

2. The knob will turn counterclockwise at the end of the cooking time and the alarm will sound. Alarm clock does not turn off the oven.



Turn the Function knob counter clockwise to off position to turn off the oven.

Cooking times table



1st rack of the oven is the **bottom** rack.



Maximum load capacity of oven tray: 4 kg (8.8 lb).



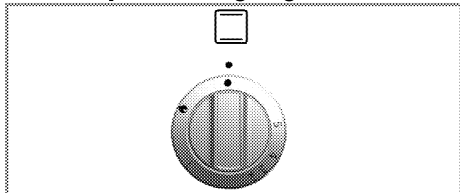
The timings in this chart are meant as a guide. Timings may vary due to temperature of food, thickness, type and your own preference of cooking.

Stand dishes on a baking sheet to prevent spillages onto oven base and help keep oven clean.


Poultry	10 min.	3	1..2	100...130 min. per 450 g + 25 min.
Casseroles	10 min.	4	1..2	90...120 min. ^S
Fish	10 min.	3	1..2	45...55 min.
Macaroni	10 min.	4	1..2	50...55 min.
Small cakes	10 min.	3..4	1	40...50 min.
Victoria sandwich	10 min.	3	1	30...35 min.

* at control knob position 5 / ^S depending on quantity / ^R depending on size

How to operate the gas grill



Grill is operated with Grill control knob. In turned off position (top), gas is not supplied. Oven door must remain open while grilling.




WARNING
Hot surfaces may cause burns! Keep children away from the product.
Oven door remains slightly inclined when opened full and thus, possible splashes to not reach you.

Switching on the grill

Gas grill is ignited with the ignition button.

1. Open the oven door.
 2. Keep the knob pressed and turn it **clockwise** to the Grill symbol.
 3. Press and release the ignition button.
- » Repeat the procedure until the gas is ignited.
4. Keep the knob pressed for 3 to 5 seconds more.
 5. Make sure that the grill is ignited.
 6. If the electricity is cut-off, ignite the grill burner with a lighter or match.



DANGER:
There is the risk of gas compression and explosion!
Do not attempt to ignite the gas more than 15 seconds. If the burner is not ignited within 15 seconds, turn off the knob and wait for 1 minute. Ventilate the room before reattempting to ignite the burner. There is the risk of gas compression and explosion!

Switching off the grill

1. Turn the Grill control knob to Off (upper) position.



Foods that are not suitable for grilling carry the risk of fire. Only grill food which is suitable for intensive grilling heat.

Do not place the food too far in the back of the grill. This is the hottest area and fatty food may catch fire.

Turnspit function

After selecting the Grill function, press Turn Spit button.

- After selecting the Grill function, skewer the meat or chicken onto the spit.
- Insert the turn spit into its slot in the rotation motor located at the rear wall of the oven. Place the turn spit onto the spit frame.
- Place the frame to the relevant rack of the oven.
- Place a tray to one of the lower racks in order to collect the fats. Put some water into the tray for ease of cleaning.
- **Do not forget to remove the plastic handle of the turn spit.**
- When cooking completes, attach the plastic handle and remove your food from the oven.

Cooking times table



The timings in this chart are meant as a guide. Timings may vary due to temperature of food, thickness, type and your own preference of cooking.



1st rack of the oven is the **bottom** rack.

Grilling with gas grill

Food	Preparation/setting	Grilling time #
Toasting of bread products	3...10 min.
Small cuts of meat, sausages, bacon, etc.	15...20 min.
Chops, gammon steaks, chicken pieces, etc.	Chicken with wire rack in upturned position.	20...25 min.
Whole fish, fish fillets, fish fingers	Whole fish and fish fillets placed in the base of the grill pan.	10...20 min.
Fish in breadcrumbs	15...20 min.
Pre-cooked potato products	15...20 min.
Pizza	Placed in the base of the grill pan.	12...15 min.
Grilling/browning of food	Dish placed directly on the base of the grill compartment.	8...10 min.
# depending on size resp. thickness		

7 Maintenance and care

General information

Service life of the product will extend and the possibility of problems will decrease if the product is cleaned at regular intervals.



DANGER:

Disconnect the product from mains supply before starting maintenance and cleaning works.

There is the risk of electric shock!



DANGER:

Allow the product to cool down before you clean it.

Hot surfaces may cause burns!

- Clean the product thoroughly after each use. In this way it will be possible to remove cooking residues more easily, thus avoiding these from burning the next time the appliance is used.
- No special cleaning agents are required for cleaning the product. Use warm water with washing liquid, a soft cloth or sponge to clean the product and wipe it with a dry cloth.
- Always ensure any excess liquid is thoroughly wiped off after cleaning and any spillage is immediately wiped dry.
- Do not use cleaning agents that contain acid or chloride to clean the stainless or inox surfaces and the handle. Use a soft cloth with a liquid detergent (not abrasive) to wipe those parts clean, paying attention to sweep in one direction.
- **(This feature is optional. It may not exist on your product.)**

Do not use solid metal scrapers or abrasive cleaning materials to clean the glass cover. Glass surface can get damaged.



The surface might get damaged by some detergents or cleaning materials.

Do not use aggressive detergents, cleaning powders/creams or any sharp objects during cleaning.

Do not use harsh abrasive cleaners or sharp metal scrapers to clean the oven door glass since they can scratch the surface, which may result in shattering of the glass.



Do not use steam cleaners to clean the appliance as this may cause an electric shock.

Cleaning the hob

Gas hobs

1. Remove and clean the saucepan carriers and burner caps.
2. Clean the hob.
3. Install the burner caps and make sure that they are seated correctly.
4. When installing the upper grills, pay attention to place the saucepan carriers so that the burners are centered.

Cleaning the control panel

Clean the control panel and knobs with a damp cloth and wipe them dry.



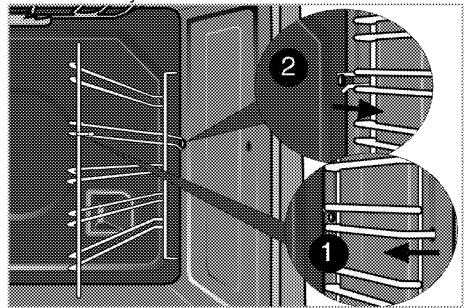
Do not remove the control buttons/knobs to clean the control panel.
Control panel may get damaged!

Cleaning the oven

To clean the side wall

(This feature is optional. It may not exist on your product.)

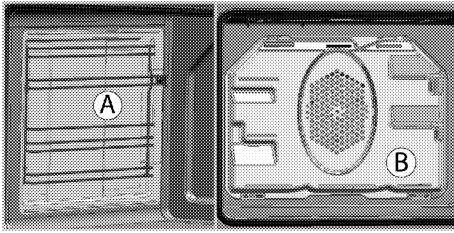
1. Remove the front section of the side rack by pulling it in the opposite direction of the side wall.
2. Remove the side rack completely by pulling it towards you.



Catalytic walls

(This feature is optional. It may not exist on your product.)

The inner side walls (A) and/or the rear wall (B) of your product may be coated with catalytic enamel. Catalytic walls have a light matte colour and a porous surface. Catalytic walls of the oven should not be cleaned. Porous surfaces of the catalytic walls are automatically cleaned by absorbing and converting the spilled oil (steam and carbon dioxide).



Clean oven door

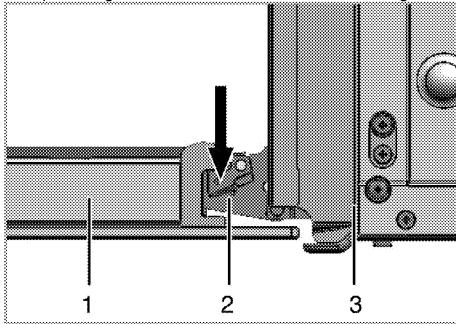
To clean the oven door, use warm water with washing liquid, a soft cloth or sponge to clean the product and wipe it with a dry cloth.

i Don't use any harsh abrasive cleaners or sharp metal scrapers for cleaning the oven door. They could scratch the surface and destroy the glass.

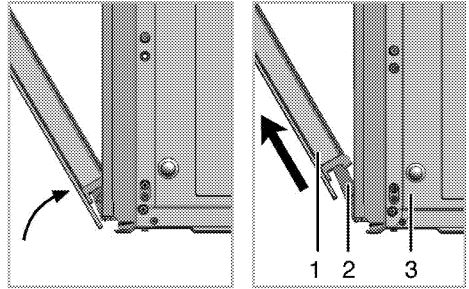
i Front door inner glass is coated to easy clean material. Do not use any harsh abrasive cleaners, hard metal scrapers, scouring pads or bleach to clean front door inner glass as they may scratch the surface. This may destroy the coating material.

Removing the oven door

1. Open the front door (1).
2. Open the clips at the hinge housing (2) on the right and left hand sides of the front door by pressing them down as illustrated in the figure.



- 1 Front door
- 2 Hinge
- 3 Oven



3. Move the front door to half-way.
4. Remove the front door by pulling it upwards to release it from the right and left hinges.

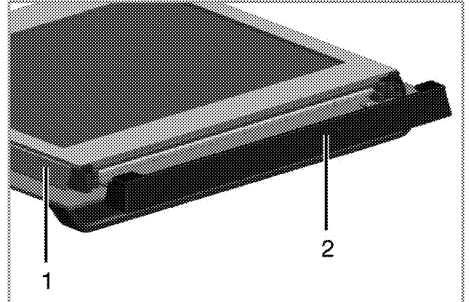
i Steps carried out during removing process should be performed in reverse order to install the door. Do not forget to close the clips at the hinge housing when reinstalling the door.

Removing the door inner glass

(This feature is optional. It may not exist on your product.)

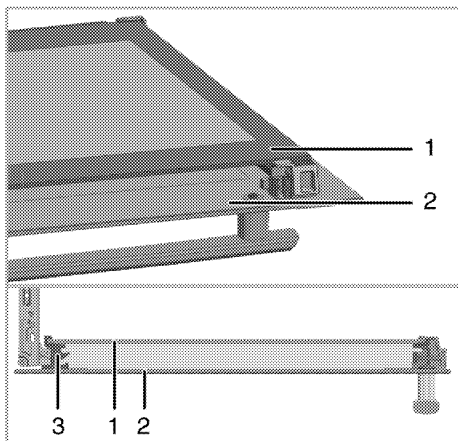
The inner glass panel of the oven door can be removed for cleaning.

Open the oven door.



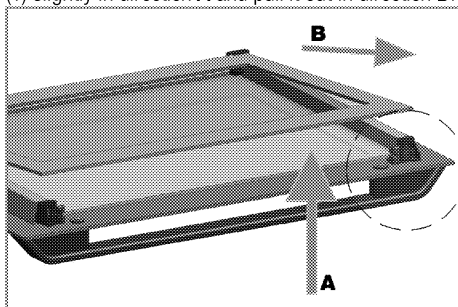
- 1 Frame
- 2 Plastic part

Pull towards yourself and remove the plastic part installed to upper section of the front door.



- 1 Inner glass panel
- 2 Outer glass panel
- 3 Plastic glass panel slot-Lower

As illustrated in figure, raise the innermost glass panel (1) slightly in direction **A** and pull it out in direction **B**.



When installing the inner glass panel (1), make sure that the printed side of the panel faces towards the inner.

It is important to seat lower corner of inner glass panel into the lower plastic slot.

Push the plastic part towards the frame until you hear a "click".

Replacing the oven lamp



DANGER:

Before replacing the oven lamp, make sure that the product is disconnected from mains and cooled down in order to avoid the risk of an electrical shock.
Hot surfaces may cause burns!



The oven lamp is a special electric light bulb that can resist up to 300 °C. See *Technical specifications, page 12* for details. Oven lamps can be obtained from Authorised Service Agents or technician with licence.



Position of lamp might vary from the figure.



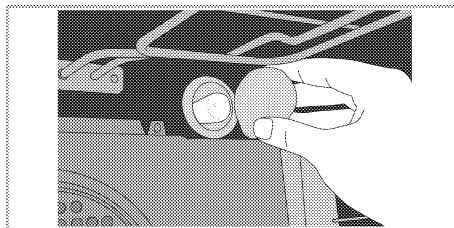
The lamp used in this appliance is not suitable for household room illumination. The intended purpose of this lamp is to assist the user to see foodstuffs.



The lamps used in this appliance have to withstand extreme physical conditions such as temperatures above 50 °C.

If your oven is equipped with a round lamp:

1. Disconnect the product from mains.
2. Turn the glass cover counter clockwise to remove it.



3. Remove the oven lamp by turning it counter clockwise and replace it with the new one.
4. Install the glass cover.

8 Troubleshooting

Oven emits steam when it is in use.

- It is normal that steam escapes during operation. >>> *This is not a fault.*

Product emits metal noises while heating and cooling.

- When the metal parts are heated, they may expand and cause noise. >>> *This is not a fault.*

Product does not operate.

- The mains fuse is defective or has tripped. >>> *Check fuses in the fuse box. If necessary, replace or reset them.*
- Product is not plugged into the (grounded) socket. >>> *Check the plug connection.*

There is no ignition spark.

- No current. >>> *Check fuses in the fuse box.*

There is no gas.

- Main gas valve is closed. >>> *Open gas valve.*
- Gas pipe is bent. >>> *Install gas pipe properly.*

Burners are not burning properly or at all.

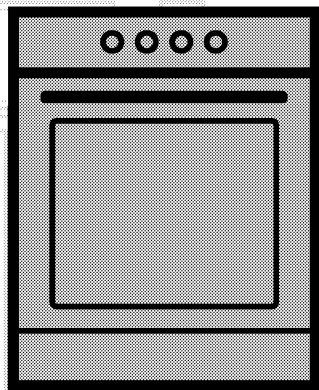
- Burners are dirty. >>> *Clean burner components.*
- Burners are wet. >>> *Dry the burner components.*
- Burner cap is not mounted safely. >>> *Mount the burner cap properly.*
- Gas valve is closed. >>> *Open gas valve.*
- Gas cylinder is empty (when using LPG). >>> *Replace gas cylinder.*



Consult the Authorised Service Agent or technician with licence or the dealer where you have purchased the product if you can not remedy the trouble although you have implemented the instructions in this section. Never attempt to repair a defective product yourself.

Cuptor

Manual de utilizare



RO

beko

Vă rugăm să citiți mai întâi manualul de utilizare!

Stimate client,

Vă mulțumim pentru că ați ales un produs Beko. Sperăm să obțineți cele mai bune rezultate de pe urma folosirii produsului nostru care a fost fabricat utilizând o calitate superioară și o tehnologie modernă. Prin urmare, vă rugăm să citiți cu atenție întregul manual de utilizare și documentele însoțitoare ale acestuia înainte de utilizarea produsului și să le păstrați pentru consultări ulterioare. În cazul în care predați produsul altcuiva, predați și manualul de utilizare. Respectați toate avertizările și informațiile din manualul de utilizare.

Rețineți că manualul de utilizare se aplică și pentru alte modele. Diferențele dintre modele vor fi identificate în manual.

Explicația simbolurilor

În manualul de utilizare sunt utilizate următoarele simboluri:



Informații importante sau recomandări utile cu privire la utilizare.



Avertisment de situații periculoase cu privire la viață și proprietate.



Avertisment de șoc electric



Avertisment de risc de incendiu.



Avertisment de suprafețe fierbinți.



Arçelik A.Ş.
Karaağaç caddesi No:2-6
34445 Sütlüce/Istanbul/TURKEY
Made in TURKEY

**1 Instrucțiuni importante și
avertismente privind siguranța și
mediul înconjurător 4**

Siguranța generală.....	4
Siguranța la lucrul cu gazul.....	4
Siguranța instalațiilor electrice.....	5
Siguranța produsului.....	6
Domeniu de utilizare.....	8
Siguranța copiilor.....	9
Depozitarea la deșeurile a produsului vechi.....	9
Depozitarea la deșeurile a materialelor de ambalare.....	9

2 Informații generale 10

Prezentare generală.....	10
Conținutul pachetului.....	11
Specificații tehnice.....	12
Tabelul injectoarelor.....	13

3 Instalare 14

Înainte de instalare.....	14
Instalarea și conectarea.....	14
Adaptarea la tipul de gaz folosit.....	16
Transportul ulterior.....	18

4 Pregătiri 19

Sfaturi pentru economisirea energiei.....	19
Prima utilizare.....	19
Curățarea inițială a aparatului.....	19

5 Utilizarea plitei 20

Informații generale despre prepararea alimentelor.....	20
Utilizarea plitelor.....	20

6 Utilizarea cuptorului 22

Informații generale referitoare la coacere, fripturi și prepararea la grill.....	22
Utilizarea cuptorului cu gaz.....	22
Tabelul duratelor de preparare.....	23
Utilizarea grill-ului cu gaz.....	24
Tabelul duratelor de preparare.....	25

7 Întreținere și curățare 26

Informații generale.....	26
Curățarea plitei.....	26
Curățarea panoului de control.....	26
Curățarea cuptorului.....	26
Demontarea ușii cuptorului.....	27
Demontarea geamului interior al ușii.....	27
Înlocuirea lămpii cuptorului.....	28

8 Remedierea problemelor 29

1 Instrucțiuni importante și avertismente privind siguranța și mediul înconjurător

Această secțiune conține informații cu privire la siguranța care vă vor ajuta să vă protejați împotriva riscului de vătămare corporală sau pagube materiale. Nerespectarea acestor instrucțiuni va duce la anularea oricărei garanții.

Siguranța generală

- Acest produs poate fi utilizat de către copii cu vârsta peste 8 ani sau mai mari și persoane cu capacități fizice, senzoriale sau mentale reduse sau lipsă de experiență și cunoștințe, dacă sunt supravegheați sau instruiți cu privire la utilizarea produsului într-o manieră sigură și înțeleg pericolele implicate. Acest produs nu este destinat pentru jocul copiilor. Curățarea și întreținerea nu vor fi efectuate de către copii fără supraveghere.
- Dacă produsul este înmănat către altcineva pentru uz personal sau în scopuri de utilizare second-hand, manualul de utilizare, etichetele produsului, documente importante și componente trebuie de asemenea înmanate împreună cu acesta.
- A nu se amplasa produsul pe o pardoseală acoperită cu covor. În caz contrar, lipsa fluxului de aer

sub produs va conduce la supraîncălzirea părților electrice. Acesta va cauza probleme produsului.

- Procedurile de instalare și reparații trebuie efectuate de către agenți de service autorizați. Producătorul nu este răspunzător pentru daunele rezultate din procedurile efectuate de către persoanele neautorizate care pot anula și garanția. Înainte de instalare, citiți instrucțiunile cu atenție.
- Nu folosiți produsul dacă este defect sau prezintă defecte vizibile.
- După fiecare utilizare verificați dacă butoanele produsului sunt închise.

Siguranța la lucrul cu gazul

- Lucrările la echipamentele și rețelele de gaz pot fi efectuate numai de persoane calificate autorizate.
- Înainte de instalare, asigurați-vă că aparatul este reglat pentru parametrii rețelei locale de gaz (tipul și presiunea gazului).
- Acest aparat nu este conectat la un sistem de evacuare a gazelor arse. Aparatul trebuie instalat și conectat conform reglementărilor

în vigoare. Se va acorda o atenție deosebită reglementărilor în vigoare privind ventilația; vezi *Înainte de instalare, pagina 14*

- Utilizarea unei mașini de gătit cu gaz produce căldură, umiditate și gaze de combustie în încăperea în care este instalată. Asigurați-vă că bucătăria este bine ventilată în special când folosiți aparatul: mențineți orificiile de ventilație deschise, sau instalați un dispozitiv de ventilație mecanică (hotă). Utilizarea prelungită și intensivă a aparatului poate necesita ventilație suplimentară, de exemplu prin sporirea turăției ventilatorului hoteli.
- Echipamentele și rețelele de gaz trebuie verificate periodic pentru a asigura funcționarea corectă a acestora. Regulatorul, furtunul și colierul acestuia trebuie verificate periodic și înlocuite la perioadele recomandate de producătorul acestora sau când este necesar.
- Curățați regulat arzătoarele. Flacăra trebuie să fie albastră și uniformă.
- Aparatele cu gaz necesită o combustie corectă. În cazul unei combustii incomplete, este posibil să se genereze monoxid de carbon (CO). Monoxidul de carbon este un gaz incolor, inodor și foarte toxic, ce poate produce

moartea chiar și în doze foarte mici.

- Solicitați de la compania distribuitoare de gaze informații cu privire la numerele de urgență și măsurile de siguranță ce trebuie luate la detectarea mirosului de gaz.

Măsuri de luat la detectarea mirosului de gaz

- Nu folosiți flăcări deschise și nu fumați. Nu acționați butoane electrice (de ex. întrerupătoarele becurilor, soneria etc). Nu folosiți telefoane fixe sau mobile. Pericol de explozie și intoxicație!
- Închideți toate robinetele aparatelor cu gaz și gazometrelor.
- Deschideți ușile și ferestrele.
- Verificați strângerea tuturor tuburilor și conexiunilor. Dacă simțiți în continuare miros de gaz, părăsiți locuința.
- Avertizați vecinii.
- Chemați pompierii. Folosiți un telefon din afara locuinței.
- Nu reveniți în casă decât după ce vi se confirmă că nu există pericole.

Siguranța instalațiilor electrice

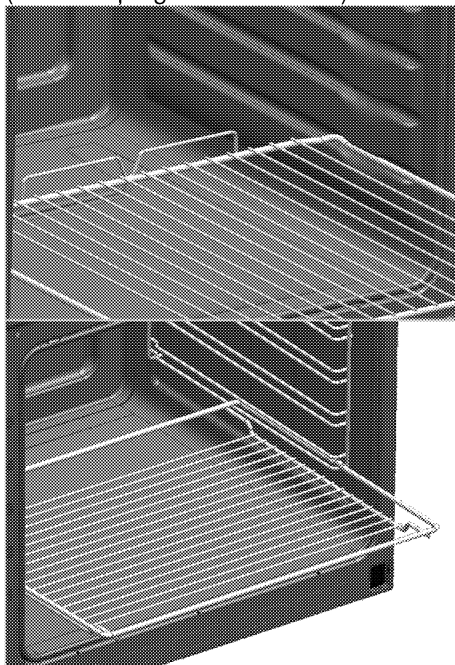
- Dacă produsul are o defecțiune, nu trebuie folosit decât după ce este reparat de către un agent de service autorizat. Pericol de electrocutare!

- Conectați produsul numai la o priză/linie împământată cu tensiunea și protecția indicată în "Specificații tehnice". Împământarea trebuie efectuată de un electrician calificat la folosirea produsului cu sau fără transformator. Compania noastră nu își asumă răspunderea pentru daunele survenite în urma împământării neconforme cu normele locale.
 - Nu spălați niciodată produsul turnând apă pe acesta! Pericol de electrocutare!
 - Nu atingeți niciodată ștecherul cu mâinile ude! Nu trageți de cablu pentru a-l scoate din priză, ci apucați de ștecher.
 - Produsul trebuie scos din priză în timpul instalării, întreținerii, curățării și reparațiilor.
 - În cazul deteriorării cablului de alimentare, acesta trebuie înlocuit de producător, de agentul său de service sau de o persoană cu calificări similare pentru a evita pericolele.
 - Aparatul trebuie instalat astfel încât să permită deconectarea totală de la rețeaua electrică. Separarea trebuie să se realizeze fie printr-un ștecher, fie printr-un comutator încorporat în instalația electrică fixă, conform normelor de construcții.
 - Suprafața din spatele cuptorului se înfierbântă în timpul utilizării. Asigurați-vă că racordurile de gaz / electricitate nu ating suprafața din spate; în caz contrar, racordurile se pot deteriora.
 - Nu striviți cablul de alimentare între ușa cuptorului și ramă; nu îl trasați peste suprafețele fierbinți. În caz contrar, izolația cablului se poate topi, putând provoca scurtcircuite și incendii.
 - Lucrările la echipamentele și rețelele electrice pot fi efectuate numai de persoane calificate autorizate.
 - În cazul unei defecțiuni, opriți produsul și deconectați-l de la rețeaua de electricitate. Decuplați siguranța de la panoul electric.
 - Asigurați-vă că siguranța are capacitatea adecvată pentru acest produs.
- Siguranța produsului**
- Aparatul și piesele sale accesibile pot deveni fierbinți în timpul folosirii. Evitați atingerea elementelor fierbinți. Copiii mai mici de 8 ani trebuie ținuti la distanță sau supravegheați continuu.
 - Nu folosiți produsul când logica sau coordonarea vă sunt afectate de alcool și / sau medicamente.
 - Aveți grijă când preparați rețete care includ băuturi alcoolice.

Alcoolul se evaporă la temperaturi mari și poate provoca incendii deoarece se va aprinde în contact cu suprafețele fierbinți.

- Nu lăsați materiale inflamabile lângă produs, deoarece părțile laterale ale acestuia se pot încălzi în timpul utilizării.
- În timpul folosirii, aparatul se înfierbântă. Evitați atingerea elementelor de încălzire din interiorul cuptorului.
- Asigurați-vă că orificiile de ventilare nu sunt înfundate.
- Nu încălziți cutii și borcane închise în cuptor. Presiunea acumulată în cutie/borcan poate provoca explozia acestuia.
- Nu amplasați tăvi de gătit, recipiente sau folie din aluminiu direct pe partea inferioară a cuptorului. Căldura acumulată poate deteriora partea inferioară a cuptorului.
- Nu folosiți substanțe de curățare abrazive sau raclete metalice ascuțite pentru a curăța geamul ușii cuptorului, deoarece acestea pot să zgârie suprafața și pot să ducă la spargerea geamului.
- Nu folosiți sisteme cu aburi pentru a curăța acest aparat, deoarece există pericol de șoc electric.
- (Variază în funcție de model.)

Amplasarea corectă a grilajului și tăvii pe șinele metalice Este importantă amplasarea corectă pe șine a grilajului și / sau a tăvii. Culisați grilajul sau tava între cele 2 șine și asigurați-vă că este stabilă înainte de amplasarea alimentelor (consultați figura următoare).



- Nu folosiți produsul dacă geamul ușii este demontat sau crăpat.
- Mânerul cuptorului nu este un uscător de prosoape. Nu agățați prosoape, mănuși sau produse textile similare când folosiți funcția grill cu ușa deschisă.
- Folosiți mănuși de cuptor termoizolatoare când introduceți

sau scoateți alimente în/din cuptorul fierbinte.

- Plasați hârtia de copt în interiorul vasului de gătit sau pe accesoriile cuptorului (tavă, grătar etc) împreună cu alimentele și apoi introduceți-le în cuptorul preîncălzit. Eliminați bucățile hârtiei de copt în exces pentru prevenirea riscul de atingere a elementelor de încălzire ale cuptorului. Nu utilizați niciodată hârtia de copt la o temperatură de utilizare mai ridicată decât valoarea indicată pe aceasta. Nu plasați hârtia de copt direct pe baza cuptorului.
- Asigurați-vă că aparatul este oprit înainte de a înlocui lampa, pentru a evita pericolul de șoc electric.
- Închideți capacul numai după ce plitele sau arzătoarele s-au răcit. Capacul trebuie să fie uscat înainte de deschidere, pentru a evita scurgerea apei în spatele cuptorului sau în interiorul acestuia.
- Prepararea nesupravegheată pe plită a alimentelor cu ulei sau grăsime poate fi periculoasă și poate provoca incendii. Nu încercați NICIODATĂ să stingeți un incendiu cu apă, ci opriți aparatul, apoi acoperiți flacăra cu un capac sau cu o pătură contra incendiului.

- Pericol de incendiu: Nu depozitați obiecte pe suprafețele de gătit.

Pentru a preveni incendiile;

- Asigurați-vă că ștecherul este conectat corect la priză pentru a nu face scânteii.
- Nu folosiți cabluri deteriorate, tăiate sau prelungitoare; folosiți cablul original.
- Asigurați-vă că ștecherul nu este umed sau ud.
- Asigurați-vă că racordul la gaz este montat corect și nu există scurgeri.

Domeniu de utilizare

- Acest produs este destinat uzului casnic. Se interzice utilizarea comercială.
- Acest aparat este destinat numai gătitului alimentelor. Nu trebuie folosit pentru alte scopuri, de exemplu pentru încălzirea încăperilor.
- Nu folosiți acest produs pentru încălzirea farfuriilor sub grill, pentru uscarea ștergarelor și cârpelor de vase etc. pe mâner sau pentru încălzirea încăperilor.
- Producătorul nu este responsabil pentru pagubele provocate de utilizarea sau manipularea incorectă.
- Cuptorul poate fi folosit pentru dezghețarea, coacerea, prăjirea și prepararea la grill a alimentelor.

Siguranța copiilor

- Componentele accesibile se pot înfierbânta în timpul folosirii. Nu lăsați copiii să se apropie de aparat.
- Ambalajele pot fi periculoase pentru copii. Nu lăsați ambalajele la îndemâna copiilor. Depozitați la deșeuri toate ambalajele conform standardelor de mediu.
- Produsele electrice și/sau pe gaz sunt periculoase pentru copii. Nu lăsați copiii să se apropie de produs în timp ce funcționează și nu îi lăsați să se joace cu acesta.
- Aveți la dispoziție un sistem suplimentar de protecție împotriva atingerii ușii cuptorului. Această piesă trebuie montată când în apropierea cuptorului se află copii mici.
- Nu amplasați pe aparat obiecte pe care copiii ar fi tentați să le apuce.
- Nu amplasați obiecte grele pe ușa deschisă și nu permiteți copiilor să se așeze pe aceasta. Pericol

de răsturnare a cuptorului sau de deteriorare a balamalelor.

Depozitarea la deșeuri a produsului vechi

Conformitate cu Directiva WEEE și depozitarea la deșeuri a produsului uzat:



Acest produs respectă Directiva UE WEEE (2012/19/UE). Produsul este marcat cu un simbol de clasificare pentru deșeuri electrice și electronice (WEEE).

Acest produs a fost fabricat folosind piese și materiale de înaltă calitate, care pot fi refolosite și reciclate. Nu depozitați produsul uzat împreună cu gunoiul menajer la sfârșitul duratei sale de funcționare. Duceți-l la un centru de colectare pentru reciclarea echipamentelor electrice și electronice. Luați legătura cu autoritățile locale pentru a afla informații despre aceste centre de colectare.

Conformitate cu Directiva RoHS:

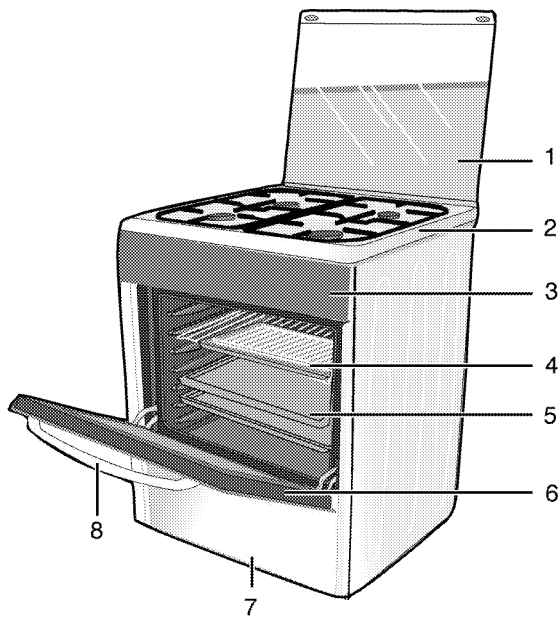
Produsul pe care l-ați achiziționat respectă Directiva UE RoHS (2011/65/UE). Nu conține materiale dăunătoare și interzise specificate în Directivă.

Depozitarea la deșeuri a materialelor de ambalare

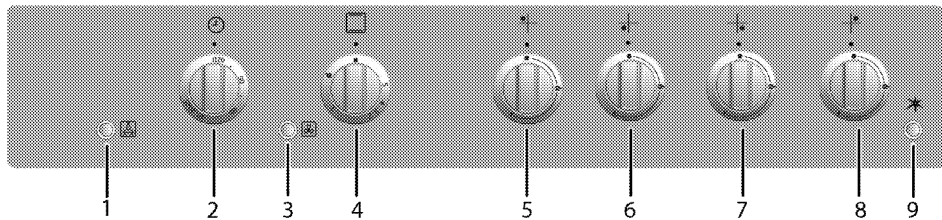
- Materialele de ambalare sunt periculoase pentru copii. Păstrați materialele de ambalare într-un loc sigur, la care copiii nu au acces. Materialele de ambalare ale produsului sunt fabricate din materiale reciclabile. Sortați-le și depozitați-le la deșeuri în mod corect. Nu le depozitați împreună cu gunoiul menajer.

2 Informații generale

Prezentare generală



- | | | | |
|---|------------------|---|------------------|
| 1 | Capac superior | 5 | Tavă |
| 2 | Placă arzător | 6 | Ușă frontală |
| 3 | Panou de comandă | 7 | Piesă inferioară |
| 4 | Grilaj | 8 | Mâner |



- | | | | |
|---|-----------------------------|---|-------------------------------|
| 1 | Buton lampă și rotisor | 6 | Arzător rapid Stânga față |
| 2 | Cronometru mecanic | 7 | Arzător auxiliar Dreapta față |
| 3 | Buton ventilator | 8 | Arzător normal Dreapta spate |
| 4 | Buton cuptor | 9 | Buton aprindere |
| 5 | Arzător normal Stânga spate | | |

Conținutul pachetului

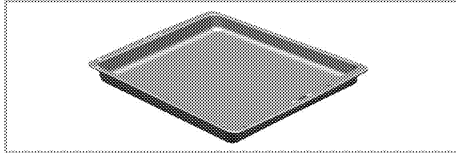


Accesoriiile furnizate pot varia în funcție de modelul produsului. Este posibil ca unele accesorii descrise în manualul de utilizare să nu fie furnizate cu produsul dvs.

1. Manual de utilizare

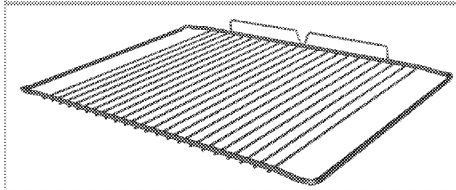
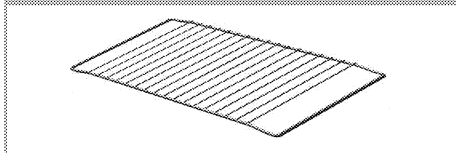
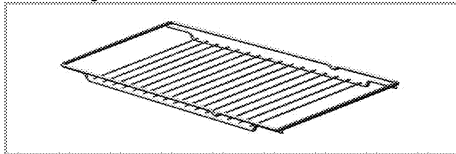
2. Tavă de cuptor

Folosită pentru produse de patiserie, alimente congelate și fripturi mari.



3. Grilaj metalic

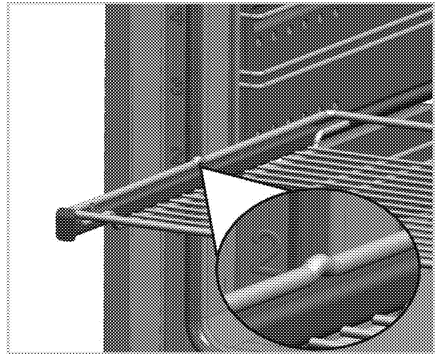
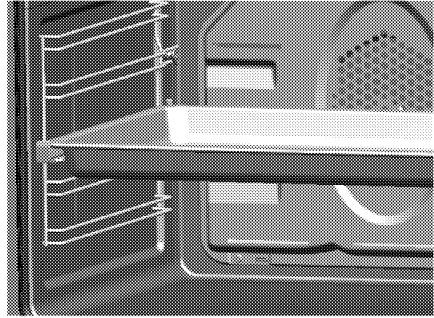
Folosit pentru fripturi și pentru amplasarea pe șina dorită a alimentelor care vor fi coapte, fripte sau gătit în caserole.



4. Amplasarea corectă a grilajului și tăvil pe șinele telescopice

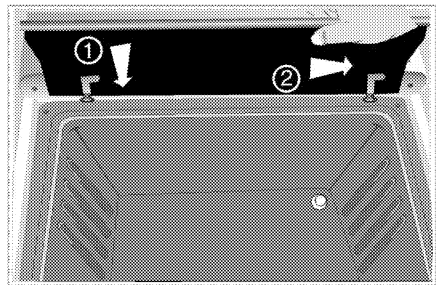
(Această caracteristică este opțională. Este posibil ca aceasta să nu existe la produsul dvs.)

Șinele telescopice simplifică introducerea și scoaterea tăvil și grilajului metalic. Când folosiți tava și grilajul metalic împreună cu șinele telescopice, asigurați-vă că lamelele din zona din spate a șinei telescopice sunt lipite de marginile grilajului metalic și tăvil.



5. Folie de protecție a butoanelor

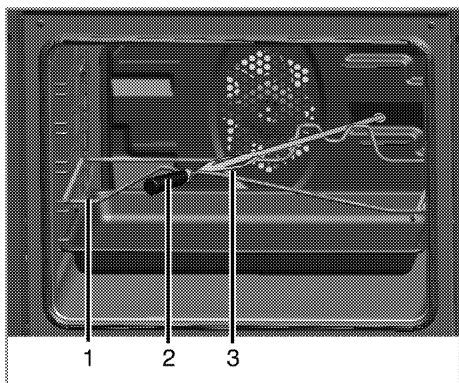
Folosită pentru prepararea la grill cu ușa cuptorului deschisă. Acesta protejează panoul de control și butoanele împotriva căldurii și reziduurilor.



6. Pui rotisat

Folosită pentru a prepara uniform la grill carne, pui și pește.

- Fixați alimentele pe rotisor folosind țepușele.
- Amplasați cadrul rotisorului în cuptor, la nivelul motorului rotisorului.
- Introduceți marginea ascuțită a rotisorului în motorul pentru rotisor și amplasați rotisorul pe cadrul.
- Detașați mânerul rotisorului în timpul preparării la grill.



- 1 Cadru rotisor
 - 2 Mâner din plastic *
 - 3 Tepușă
- * (Variază în funcție de model.)

Specificații tehnice

GENERAL	
Dimensiuni exterioare (înălțime/lățime/adâncime)	850 mm/600 mm/600 mm
Tensiune/frecvență	220-240 V ~ 50 Hz
Siguranță	3 A
Tip cablu / secțiune	min.H05VV-FG 3 x 0,75 mm ²
Categorie produs gaz	II 2H3B/P
Tip/presiune gaz	NG G 20/20 mbar
Consum total de gaz	10.4 kW
Conversie tip/presiune gaz ^S	G 30/28-30 mbar
- optional	
PLITĂ	
Arzătoare	
Stânga spate	Arzător normal
Putere	2kW
Stânga față	Arzător rapid
Putere	2.9 kW
Dreapta față	Arzător auxiliar
Putere	1kW
Dreapta spate	Arzător normal
Putere	2 kW
CUPTOR/GRILL	
Cuptor principal	Cuptor cu gaz
Lampă interioară	15-25 W
Consum energie grill	2.5 kW
Consum gaz cuptor	2.5 kW



Specificațiile tehnice se pot modifica fără preaviz în scopul îmbunătățirii calității produsului.



Ilustrațiile din acest manual au doar rol explicativ, fiind posibil să nu fie identice cu produsul dv.



Valorile declarate pe etichetele produsului sau în documentația însoțitoare sunt obținute în condiții de laborator, conform standardelor în vigoare. Aceste valori pot varia în funcție de condițiile de utilizare și de mediu.

Tabelul injectoarelor

Poziție zonă plită	2kW	2.9 kW	1kW	2 kW
Tip gaz / Presiune gaz	Stânga spate	Stânga față	Dreapta față	Dreapta spate
G 20/20 mbar	103	115	72	103
G 30/28-30 mbar	72	87	50	72
Tip gaz / Presiune gaz	Cuptor cu gaz		GRILL	
G 20/20 mbar	115		115	
G 30/28-30 mbar	73		73	

3 Instalare

Produsul trebuie instalat de o persoană calificată, conform reglementărilor în vigoare. În caz contrar, garanția va fi anulată. Producătorul nu își asumă răspunderea pentru daunele produse în urma efectuării procedurilor de către persoane neautorizate și poate anula garanția.



Pregătirea instalațiilor electrice și de gaz în vederea instalării produsului constituie responsabilitatea clientului.



PERICOL:

Produsul trebuie instalat în conformitate cu toate reglementările locale privind instalațiile de gaz și / sau electricitate.

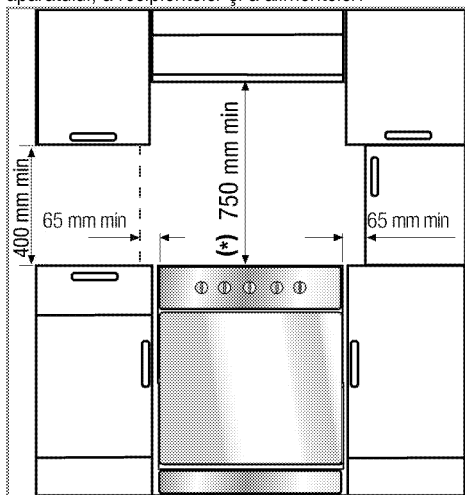


PERICOL:

Înainte de instalare, verificați vizual dacă produsul nu este deteriorat. Dacă este deteriorat, nu îl instalați. Produsele deteriorate sunt periculoase.

Înainte de instalare

Pentru a asigura circulația aerului prin orificiile de ventilare de sub aparat, recomandăm instalarea aparatului pe o suprafață dură, astfel încât picioarele să nu se afunde în covor sau în alte suprafețe moi. Podeaua bucătăriei trebuie să poată susține greutatea aparatului, a recipientelor și a alimentelor.



- Puteți amplasa corpuri de mobilă pe ambele părți ale aparatului, cu condiția menținerii unei distanțe de 400mm față de obiectele de deasupra și de 65mm față de obiectele din lateral.

- Aparatul poate fi instalat și fără obiecte de mobilier în jur. Lăsați o distanță de minim 750 mm deasupra suprafeței plitei.
- (*) Dacă urmează să montați o hotă deasupra mașinii de gătit, citiți instrucțiunile producătorului hotei cu privire la înălțimea de montare (min. 650 mm).
- Aparatul se încadrează în clasa 1, putând fi amplasat cu spatele și o latură lipite de pereții bucătăriei, mobilier de bucătărie sau echipamente de orice dimensiune. Mobilierul de bucătărie sau echipamentul de pe **cealaltă** latură nu poate fi mai mare decât aparatul.
- Mobilierul de bucătărie de lângă aparat trebuie să fie rezistent la căldură (min. 100 °C).

Ventilarea camerei

Încăperea trebuie să aibă o fereastră care se poate deschide; unele încăperi pot necesita și ventilarea permanentă.

Aerul din încăpere este folosit pentru alimentarea arderii, iar gazele rezultate în urma arderii sunt emise direct în încăpere.

Ventilarea corectă a camerei este esențială pentru utilizarea în siguranță a aparatului. Dacă nu există ferestre sau uși pentru ventilarea camerei, trebuie să creați un orificiu de ventilare.

Aparatul poate fi instalat într-o bucătărie, bucătărie-sufragerie sau dormitor-sufragerie, însă nu poate fi instalat într-o încăpere în care se află o cadă sau un duș. Aparatul nu poate fi instalat într-un dormitor-sufragerie mai mic de 20m³.

Nu instalați acest aparat într-o încăpere subterană, cu excepția cazului în care are cel puțin un perete cu deschidere deasupra nivelului solului.

Dimensiunea încăperii	Orificiu de ventilare
sub 5 m ³	min. 100 cm ²
5 m ³ - 10 m ³	min. 50 cm ²
peste 10 m ³ /den	nu este necesar
La subsol / demisol	min. 65 cm ²

Instalarea și conectarea

Produsul trebuie instalat și racordat conform regulilor de instalare în vigoare.



Nu instalați produsul lângă frigider sau congelatoare. Căldura emisă de produs va spori consumul de energie al aparatelor de răcire.

- Produsul trebuie transportat de cel puțin două persoane.
- Produsul trebuie amplasat direct pe podea. Nu trebuie amplasat pe un soclu sau piedestal.



Nu apucați de ușă și/sau de mâner pentru a ridica sau muta produsul. Ușa, mânerul sau balamalele se pot defecta.

Racordul electric

Conectați produsul la o priză împământată protejată de o siguranță de capacitate adecvată, conform datelor din tabelul "Specificații tehnice". Împământarea trebuie efectuată de un electrician calificat la folosirea produsului cu sau fără transformator. Compania noastră nu își asumă răspunderea pentru daunele survenite în urma folosirii produsului fără o instalație de împământare în conformitate cu normele locale.



PERICOL:

Produsul trebuie conectat la rețeaua electrică numai de o persoană calificată și autorizată. Perioada de garanție a produsului începe numai după instalarea corectă. Producătorul nu își asumă răspunderea pentru daunele produse în urma efectuării procedurilor de către persoane neautorizate.



PERICOL:

Cablul de alimentare nu trebuie presat, îndoit, strivit sau atins de piesele fierbinți ale produsului. În cazul în care cablul de alimentare este deteriorat, trebuie înlocuit de un electrician calificat. În caz contrar, există pericol de șoc electric, scurtcircuit sau incendiu!

Parametrii rețelei electrice trebuie să corespundă parametrilor specificați pe eticheta cu tipul produsului. Plăcuța de identificare poate fi văzută după deschiderea capacului inferior sau este amplasată pe peretele posterior al aparatului, în funcție de tipul acestuia.

Cablul de alimentare al produsului trebuie să respecte valorile din tabelul "Specificații tehnice".



Ștecherul cablului de alimentare trebuie să fie ușor accesibil după instalare (nu îl trasați deasupra plitei).



PERICOL:

Înainte de a efectua lucrări la instalația electrică, deconectați produsul de la priză. Pericol de electrocutare!

Introduceți cablul de alimentare în priză.

Racordarea la gaz



PERICOL:

Produsul poate fi conectat la rețeaua de gaz numai de o persoană calificată și autorizată. Pericol de explozie sau intoxicație în cazul reparațiilor efectuate de persoane necalificate! Producătorul nu își asumă răspunderea pentru daunele produse în urma efectuării procedurilor de către persoane neautorizate.



PERICOL:

Înainte de a începe lucrările la instalația de gaz, opriți alimentarea cu gaz. Pericol de explozie!

- Condițiile și valorile de reglare a gazului sunt indicate pe etichete.



Produsul este echipat pentru gaze naturale (GN).

- Instalația de gaze naturale trebuie pregătită înainte de instalarea aparatului.
- Instalația de gaze naturale trebuie să se termine cu o conductă flexibilă astupată. Reprezentatul de service va demonta dopul în timpul racordării și va conecta produsul folosind un racord drept.
- Asigurați-vă că robinetul conductei de gaze naturale este ușor accesibil.
- Pentru a utiliza ulterior produsul cu alt tip de gaz, apelați la un agent de service autorizat pentru efectuarea conversiei.



PERICOL:

Furtunul de gaz nu trebuie presat, îndoit, strivit sau atins de piesele fierbinți ale produsului. Deteriorarea furtunului de gaz poate provoca explozii.

- Împingeți produsul spre peretele bucătăriei.
- **Reglarea picioarelor cuptorului**
Vibrațiile pot provoca deplasarea recipientelor de gătit. Acest pericol poate fi evitat prin echilibrarea produsului în plan orizontal. Pentru siguranța proprie, asigurați-vă că produsul este echilibrat rotind cele patru picioare și aliniind produsul cu suprafața mobilierului.

Verificarea finală

1. Verificați funcționarea sistemului electric.
2. Deschideți alimentarea cu gaz.

3. Verificați fixarea și strângerea corectă a instalației de gaz.
4. Aprindeți arzătoarele și verificați aspectul flăcării.

i Flacăra trebuie să fie albastră și să aibă o formă regulată. Dacă flacăra este gălbuie, verificați așezarea corectă a capacului arzătorului sau curățați arzătorul.

Adaptarea la tipul de gaz folosit

! **PERICOL:**
Înainte de a începe lucrările la instalația de gaz, opriți alimentarea cu gaz.
Pericol de explozie!

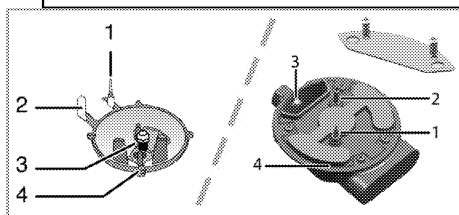
Pentru a modifica tipul de gaz folosit, schimbați toate injectoarele și reglați toate robinetele în poziția de debit redus.

Schimbarea injectoarelor arzătoarelor

1. Scoateți capacul și corpul arzătorului.
2. Deșurubați injectoarele rotindu-le în sens anti orar.
3. Montați injectoarele noi.
4. Verificați fixarea și strângerea corectă a tuturor conexiunilor.

i Poziția injectoarelor noi este marcată pe ambalaj sau în tabelul de la *Tabelul injectoarelor, pagina 13*.

i ((Variază în funcție de model.))
La unele arzătoare de plite, duza e acoperită cu o piesă metalică. Această piesă metalică trebuie scoasă pentru înlocuirea duzei.



- 1 Dispozitiv de supraveghere a flăcării (în funcție de model)
- 2 Aprindere electrică
- 3 Injector
- 4 Arzător

i Cu excepția unor situații speciale, nu încercați să demontați robinetele arzătoarelor.
Schimbarea robinetelor poate fi efectuată numai de personal de service autorizat.

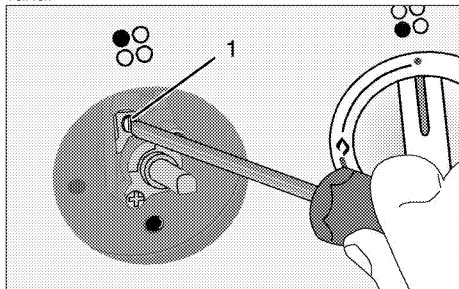
Reglaj debit gaz redus pentru robinetele plite

1. Aprindeți arzătorul care trebuie reglat și rotiți butonul la putere minimă.
 2. Demontați butonul de pe robinet.
 3. Folosiți o șurubelniță de dimensiuni adecvate pentru a acționa șurubul de reglare a debitului.
- În cazul GPL (butan - propan) rotiți șurubul în sensul acelor de ceasornic. În cazul gazului natural, rotiți o singură dată șurubul **în sens contrar acelor de ceasornic**.

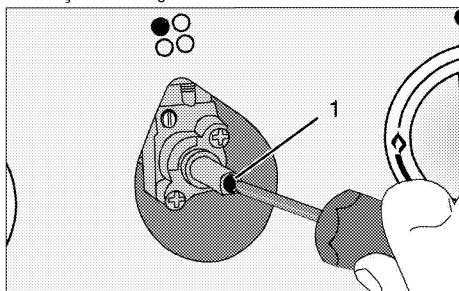
» Înălțimea normală a unei flăcări drepte în poziția flacără mică trebuie să fie de 6-7 mm.

4. Dacă flacăra este mai înaltă, rotiți șurubul în sensul acelor de ceasornic. Dacă este mai mică, rotiți în sens invers acelor de ceasornic.
5. Ca verificare finală, rotiți robinetul în poziția flacără mare și flacără mică și verificați dacă flacăra nu se stinge.

În funcție de tipul robinetului de gaz al aparatului dumneavoastră, poziția șurubului de reglare poate varia.



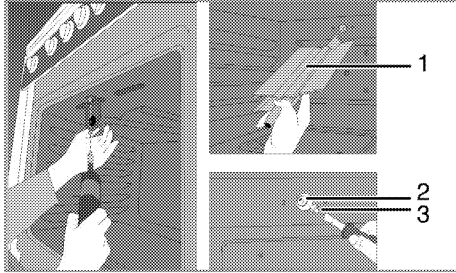
1 Șurub de reglare a debitului



1 Șurub de reglare a debitului

Schimbarea injectorului grill-ului

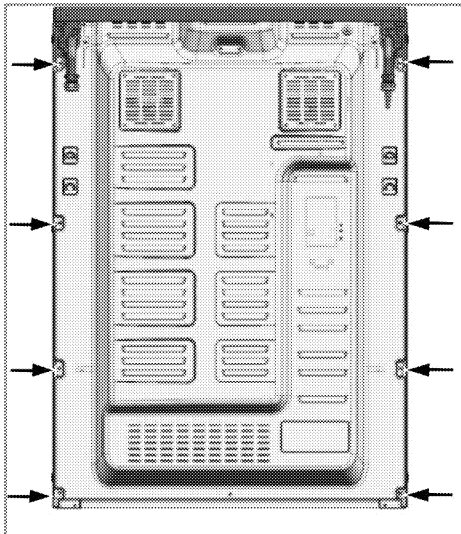
1. Deschideți ușa din față.
2. Deșurubați șurubul arzătorului grill-ului.
3. Trageți ușor arzătorul grill-ului (1) pentru a-l desprinde de conexiunile din spate.
4. Deșurubați injectorul rotindu-l în sens invers acelor de ceasornic.
5. Montați injectorul nou.



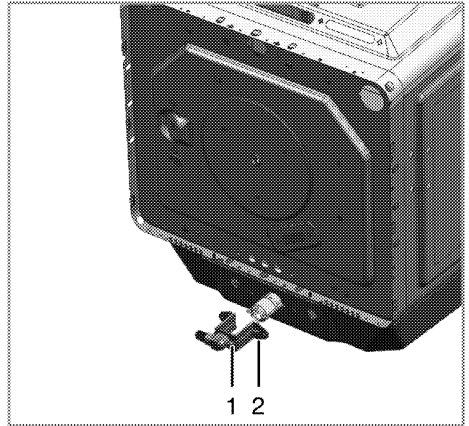
- 1 Arzător grill
- 2 Suportul injectorului
- 3 Injector

Schimbarea injectorului cuptorului

1. Deșurubați șuruburile de fixare a peretelui din spate.



2. Deșurubați cele 2 șuruburi (2) ale suportului injectorului (1).

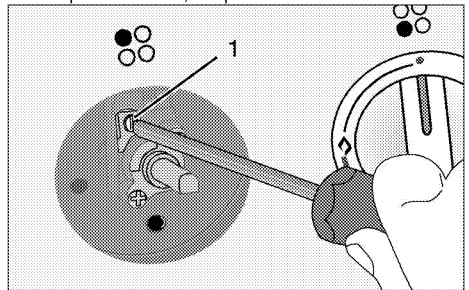


- 1 Suportul injectorului
- 2 Șurub
3. Extrageți suportul injectorului.
4. Deșurubați injectorul rotindu-l în sens invers acelor de ceasornic.
5. Montați injectorul nou.

Reglarea debitului redus pentru cuptorul cu gaz

Verificarea periodică a reglajului este extrem de importantă pentru funcționarea corespunzătoare a cuptorului. Pentru siguranță maximă, instrucțiunile din acest manual trebuie urmate cu atenție.

1. Aprindeți arzătorul care trebuie reglat și rotiți butonul la putere maximă.
2. Închideți ușa cuptorului și așteptați 10 - 15 minute înainte de a efectua reglajul.
3. Scoateți butonul.
4. După 15 minute, rotiți butonul la flacăra mică.



5. Reglați flacăra la o înălțime de 2-3mm folosind șurubul 1 de pe robinetul cuptorului. Rotiți șurubul în sensul acelor de ceasornic pentru a reduce flacăra, sau în sens contrar acelor de ceasornic pentru a mări flacăra.



Dacă debitul de gaz de cuptor nu poate fi setat cu eliminarea buton, vă rugăm să eliminați părțile cuptorului necesare (pe panoul de control, placa de arzător etc.) și apoi setați debitul de gaz de cuptor.



Dacă temperatura cuptorului crește nejustificat, opriți cuptorul și apelați la un agent de service autorizat pentru a repara termostatul cuptorului.



Dacă ați schimbat tipul gazului, trebuie să schimbați și plăcuța de identificare care indică tipul gazului folosit de aparat.

Butan/ propan

Strângeți complet șurubul în sens orar.

Gaze naturale

Slăbiți șurubul cu o jumătate de tură



Transportul ulterior

- Păstrați cutia originală a produsului și transportați-l în aceasta. Respectați instrucțiunile de pe cutie. Dacă nu aveți cutia originală, ambalați produsul în folie cu bule sau în carton gros și lipiți-l cu bandă adezivă.
- Pentru a preveni deteriorarea ușii cuptorului de către grilajul și tava din interior, așezați o fâșie de carton în interiorul ușii cuptorului, în dreptul tăvilor. Lipiți cu bandă adezivă ușa cuptorului de pereții laterali.
- Asigurați capacele arzătoarelor și suporturile pentru recipiente cu bandă adezivă.
- Nu apucați de ușă sau de mâner pentru a ridica sau muta produsul.



Nu amplasați obiecte pe produs; mutați-l în poziție verticală.



Verificați aspectul general al produsului pentru a determina dacă nu a fost deteriorat în timpul transportului.

4 Pregătiri

Sfaturi pentru economisirea energiei

Următoarele informații vă vor ajuta să protejați mediul înconjurător și să economisiți energie:

- Folosiți recipiente de culoare închisă sau emailate în cuptor, deoarece transferul de căldură va fi mai eficient.
- La prepararea mâncărilor, preîncălziți cuptorul dacă se specifică în manualul de utilizare sau în rețetă.
- Nu deschideți frecvent ușa cuptorului în timpul gătirii.
- Încercați pe cât posibil să gătiți simultan mai multe feluri de mâncare în cuptor. Puteți să amplasați câte două recipiente pe grilajul metalic.
- Gătiți succesiv mai multe feluri de mâncare. Astfel, nu va fi necesar să preîncălziți din nou cuptorul.
- Decongeleți alimentele congelate înainte de a le găti.

- Folosiți recipiente cu capac pentru prepararea mâncărilor. În lipsa capacului, consumul de energie poate crește de 4 ori.
- Selectați arzătorul în funcție de dimensiunea bazei recipientului utilizat. Alegeți recipiente de dimensiune adaptată la mâncarea preparată. Recipientele mari necesită mai multă energie.

Prima utilizare

Curățarea inițială a aparatului



Suprafața poate fi deteriorată de unii detergenți sau materiale de curățare.

Nu folosiți obiecte ascuțite, prafuri / creme de curățare sau detergenți agresivi.

1. Îndepărtați toate ambalajele.
2. Ștergeți suprafețele aparatului cu o cârpă umedă sau cu un burete umed, apoi uscați-le cu o cârpă.

5 Utilizarea plitei

Informații generale despre prepararea alimentelor



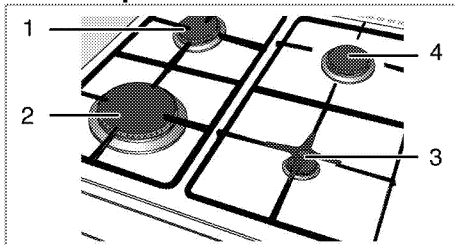
Nu umpleți vasele pe mai mult de o treime cu ulei. Nu lăsați nesupravegheată plita când încălziți uleiul. Uleiul supraîncălzit poate provoca incendii. **Nu încercați să stingeți eventualul incendiu cu apă!** Dacă uleiul s-a aprins, acoperiți-l cu o pătură ignifugă sau cu o cârpă umedă. Opriti plita dacă este posibil și telefonați la pompieri.

- Uscați alimentele pe care urmează să le prăjiți înainte de a le așeza în uleiul încălzit. Dezghețați complet alimentele înainte de a le prăji.
- Nu acoperiți vasul în care încălziți uleiul.
- Așezați cratițele și tigăile astfel ca mânerele acestora să nu fie deasupra plitei, pentru a evita înfierbântarea acestora. Nu așezați pe plită recipiente instabile, care se pot răsturna ușor.
- Nu puneți pe zonele de gătit pornite ale plitei recipiente și tigăi goale. Acestea se pot deteriora.
- Produsul se va deteriora dacă porniți zonele pentru gătit fără a așeza pe ele recipiente. Opriti zonele de gătit după ce ați terminat de gătit.
- Nu așezați recipiente de plastic sau aluminiu pe suprafața plitei, aceasta poate fi fierbinte. Nu folosiți astfel de recipiente pentru păstrarea alimentelor.
- Folosiți numai recipiente cu fundul plat.
- Puneți cantități adecvate de alimente în recipientele pentru gătit. Astfel preveniți vărsarea acestora și nevoia de a curăța plita. Nu așezați capacele recipientelor de gătit pe zonele de gătit. Așezați recipientele în centrul zonelor de gătit. Mutați recipientele de pe o zonă de gătit pe alta ridicându-le; nu le trageți pe suprafața plitei.

Gătitul cu gaz

- Dimensiunea recipientului și a flăcării trebuie să fie similare. Potrivii flacăra încât să nu depășească baza recipientului și centrați recipientul pe suport.

Utilizarea plitelor



- 1 Arzător normal 18-20 cm
- 2 Arzător rapid 22-24 cm
- 3 Arzător auxiliar 12-18 cm
- 4 Arzător normal 18-20 cm reprezintă diametrul recomandat al recipientelor amplasate pe arzătoarele respective.

Simbolul cu flacăra mare indică puterea maximă de gătire, iar cel cu flacăra mică indică puterea minimă. În poziția oprit (sus), arzătoarele nu sunt alimentate cu gaz.

Aprinderea arzătoarelor pe gaz

1. Țineți butonul arzătorului apăsat.
2. Rotiți-l în sens anti orar spre simbolul flacăra mare.

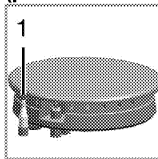
» Gazul se aprinde de la scânteia creată.

3. Reglați flacăra după caz.

Oprirea arzătoarelor pe gaz

Rotiți butonul arzătorului în poziția oprit (cea de sus).

Sistemul de siguranță pentru oprirea gazului (pentru modelele cu componentă termică)



Sistemul de siguranță pentru oprirea gazului are rolul de a preveni exploziile cauzate de scurgerile de gaz.

1. Sistem de siguranță pentru oprirea gazului

- Apăsăți butonul și rotiți-l în sens anti-orar pentru aprindere.
- După aprinderea gazului țineți butonul apăsat încă 3-5 secunde pentru a activa sistemul de siguranță.
- Dacă gazul nu se aprinde după apăsarea și eliberarea butonului, repetați procesul ținând butonul apăsat timp de 15 secunde.



PERICOL:

Eliberați butonul dacă arzătorul nu s-a aprins
în 15 secunde.

Așteptați cel puțin 1 minut înainte de a încerca
din nou. Pericol de acumulare a gazului și de
explozie!

6 Utilizarea cuptorului

Informații generale referitoare la coacere, fripturi și prepararea la grill



AVERTISMENT

Suprafețele fierbinți provoacă arsuri! Produsul se poate înfierbânta în timpul utilizării. Nu atingeți arzătoarele fierbinți, interiorul cuptorului, arzătoarele etc. Țineți copiii la distanță. Folosiți mănuși de cuptor termoizolatoare când introduceți sau scoateți alimente în/din cuptorul fierbinte.



PERICOL:

Atenție la deschiderea ușii cuptorului, deoarece pot ieși aburi. Aburii evacuați vă pot opări mâinile, fața și / sau ochii.

Sfaturi pentru copt

- Folosiți recipiente din metal sau aluminiu cu strat anti aderent sau forme din silikon termorezistent.
- Utilizați adecvat spațiul de pe raft.
- Amplasați forma de copt în mijlocul raftului.
- Selectați poziția corectă a raftului înainte de a porni cuptorul sau grill-ul. Nu schimbați poziția raftului în timp ce cuptorul este fierbinte.
- Mențineți ușa cuptorului închisă.

Sfaturi pentru fripturi

- Veți obține rezultate mai bune dacă tratați înainte de gătire puii întregi, curcanii întregi sau bucățile mari de carne roșie cu dresinguri, cum ar fi suc de lămâie și piper negru.
- Prepararea cărnii cu oase durează cu circa 15-30 de minute mai mult decât prepararea unei bucăți de carne de aceeași dimensiune fără oase.
- Fiecare centimetru de grosime a cărnii necesită aproximativ 4 - 5 minute pentru preparare.
- Lăsați carnea în cuptor timp de circa 10 minute după încheierea perioadei de preparare. Astfel, sucurile se vor distribui mai bine în friptură și nu vor curge la tăierea acesteia.
- Peștele trebuie amplasat pe raftul mijlociu sau inferior, într-un recipient termorezistent.

Sfaturi pentru prepararea la grill

Carnea, peștele și puiul preparate la grill se rumenesc rapid, au o crustă frumoasă și nu se usucă. Felile de carne, frigăruiile și cârnații sunt ideale pentru prepararea la grill, precum și legumele cu conținut ridicat de apă, cum ar fi roșiile și cepele.

- Distribuți alimentele care trebuie preparate la grill pe grilajul metalic sau în tava de copt cu grilaj metalic, astfel încât spațiul ocupat să nu depășească dimensiunea elementului de încălzire.
- Culisați grilajul metalic sau tava de copt cu grilaj metalic la nivelul dorit al cuptorului. Dacă folosiți grilajul metalic, culisați tava de copt pe șina de jos pentru a colecta grăsimea. Pentru a simplifica curățarea, adăugați puțină apă în tava de copt.

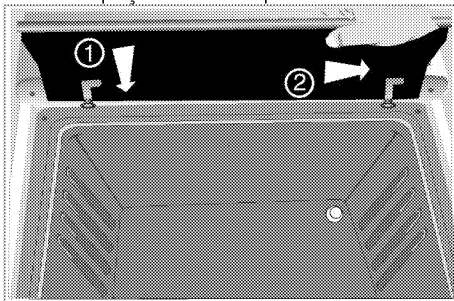


Alimentele inadecvate pentru prepararea la grill pot provoca incendii. Preparați la grill numai alimente care rezistă la căldură intensă. Nu amplasați alimentele prea departe în zona din spate a grill-ului. Aceasta este cea mai fierbinte zonă, iar alimentele grase se pot aprinde.

Montați scutul termic.

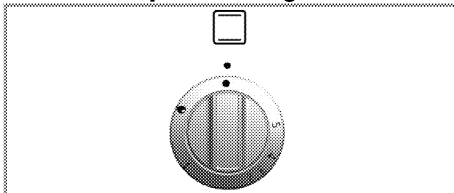
Scutul termic este folosit pentru prepararea la grill cu ușa cuptorului deschisă. Acesta protejează panoul de control și butoanele împotriva căldurii și reziduurilor.

1. Deschideți ușa cuptorului și amplasați scutul termic pe știfturile de sub panoul de control.



» Cu scutul termic montat, ușa cuptorului rămâne deschisă.

Utilizarea cuptorului cu gaz



Cuptorul cu gaz poate fi utilizat prin intermediul butonului acestuia. În poziția Oprit (sus), alimentarea cu gaz este oprită.

Dacă porniți ventilatorul în timpul utilizării cuptorului, alimentele vor fi preparate mai uniform.

Pornirea cuptorului cu gaz

Flacăra cuptorului cu gaz se aprinde folosind butonul de aprindere.

1. Deschideți ușa cuptorului.
 2. Mențineți apăsat butonul cuptorului și rotiți-l în **sens contrar acelor de ceasornic**.
 3. Apăsați butonul de aprindere, apoi eliberați-l.
 4. Mențineți apăsat butonul cuptorului pentru 3 - 5 secunde.
- » Repetați procesul până când gazul se aprinde.
5. Mențineți apăsat butonul cuptorului pentru încă 3 - 5 secunde. Verificați dacă gazul s-a aprins.

6. Reglați la temperatura / nivelul dorit.
7. În cazul în care curentul electric este întrerupt, aprindeți gazul cu bricheta din orificiul de aprindere.



PERICOL:

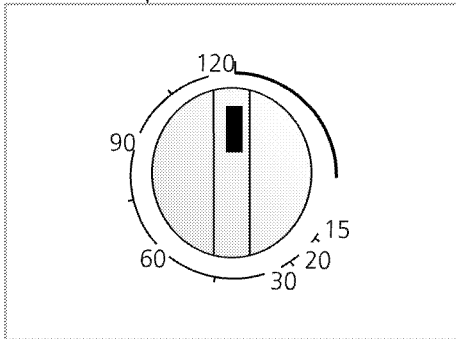
Pericol de comprimare a gazului și de explozie!
Nu încercați să aprindeți gazul mai mult de 15 secunde. Dacă arzătorul nu se aprinde în 15 secunde, închideți robinetul și așteptați 1 minut. Ventilați încăperea înainte de a reîncerca aprinderea arzătorului. Pericol de comprimare a gazului și de explozie!

Oprirea cuptorului cu gaz

1. Rotiți butonul cuptorului în poziția închis (sus). Semnificația nivelurilor gazului:

Nivel gaz	1	2	3	4	5
Temperatură în °C	170	180	200	230	280

Utilizarea funcției de alarmă



Alarma nu influențează funcțiile cuptorului. Are doar rol de avertizare. De exemplu, o puteți folosi când trebuie să întoarceți mâncarea în cuptor la un anumit interval. Ceasul cu alarmă va emite un semnal după scurgerea perioadei alese.

Setarea ceasului cu alarmă

1. Rotiți butonul de reglare a duratei în sensul acelor de ceasornic pentru a alege durata alarmei.
2. Butonul se va roti în sens contrar acelor de ceasornic la sfârșitul duratei de gătire și va fi emis

semnalul sonor. Ceasul cu alarmă nu oprește cuptorul.



Rotiți butonul Funcție în sens contrar acelor de ceasornic în poziția oprit pentru a opri cuptorul.

Tabelul duratelor de preparare



Prima șină a cuptorului este cea **inferioară**.



Sarcină maximă admisă pentru tava cuptorului: 4 kg (8,8 lb).



Intervalele din acest tabel sunt orientative. Acestea pot varia în funcție de temperatura, grosimea și tipul alimentelor, precum și de preferințele dvs. culinare.

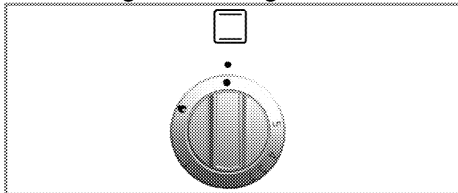
Amplasați recipientele pe o hârtie de copt pentru a preveni stropirea bazei cuptorului și a-l menține curat.

Coacerea și prepararea fripturilor

Alimente	Preîncălzire *	Nivel amplasare	Poziție buton control	Durată preparare
Plăcintă cu mere	10 min.	3	1	60..70 min.
Tartă cu fructe	10 min.	3	1	60..70 min.
Plăcintă	10 min.	3	1	60..70 min.
Fursecuri	10 min.	4	1..2	30..40 min.
Produse patiserie	10 min.	3..4	1..2	40..50 min.
Cozonac	10 min.	3	1..2	60..70 min.
Biscuiți	10 min.	4	1..2	30..40 min.
Friptură de miel	10 min.	4..5	3	35..45 min. pe 450 g + 30 min.
Friptură de vită	10 min.	3..4	3	100..130 min. pe 450 g + 30 min.
Curcan	10 min.	3	3	100..130 min. pe 450 g + 30 min.
Carnă de pasăre	10 min.	3	1..2	100..130 min. pe 450 g + 25 min.
Caserole	10 min.	4	1..2	90..120 min. ^S
Pește	10 min.	3	1..2	45..55 min.
Macaroane	10 min.	4	1..2	50..55 min.
Prăjiturele	10 min.	3..4	1	40..50 min.
Blat	10 min.	3	1	30..35 min.

* cu butonul de control în poziția 5 / ^S în funcție de cantitate / ^S în funcție de dimensiune

Utilizarea grill-ului cu gaz



Grill-ul poate fi acționat folosind butonul Grill. În poziția oprit (sus), gazul este oprit.

Ușa cuptorului trebuie să rămână deschisă în timpul folosirii grill-ului.



AVERTISMENT

Suprafețele fierbinți provoacă arsuri! Nu lăsați copiii să se apropie de produs.
Ușa cuptorului rămâne ușor înclinată când este complet deschisă; astfel, vă protejează de eventualele stropiri.



PERICOL:

Pericol de comprimare a gazului și de explozie!
Nu încercați să aprindeți gazul mai mult de 15 secunde. Dacă arzătorul nu se aprinde în 15 secunde, închideți robinetul și așteptați 1 minut. Ventilați încăperea înainte de a reîncerca aprinderea arzătorului. Pericol de comprimare a gazului și de explozie!

Oprirea grill-ului

1. Rotiți butonul grill-ului în poziția Oprit (cea de sus).



Alimentele inadecvate pentru prepararea la grill pot provoca incendii. Preparați la grill numai alimente care rezistă la căldură intensă.
Nu amplasați alimentele prea departe în zona din spate a grill-ului. Aceasta este cea mai fierbinte zonă, iar alimentele grase se pot aprinde.

Pornirea grill-ului

Flacăra grill-ului se aprinde folosind butonul de aprindere.

1. Deschideți ușa cuptorului.
2. Mențineți apăsat butonul și rotiți-l **în sensul acelor de ceasornic** spre simbolul grill-ului.
3. Apăsați scurt butonul de aprindere.
» Repetați procedura până când flacăra se aprinde.
4. Mențineți apăsat butonul încă 3 - 5 secunde.
5. Asigurați-vă că grill-ul este aprins.
6. Dacă electricitatea este întreruptă, aprindeți arzătorul grill-ului cu o brichetă sau un chibrit.



Funcția de rotisare

După selectarea funcției Grill, apăsați butonul Rotisor.

- După selectarea funcției Grill, introduceți carnea pe frigăruie.
- Introduceți frigăruia în fanta sa cu sistem de rotire de pe peretele din spate al cuptorului. Așezați frigăruia pe cadru.
- Așezați cadrul pe șina corespunzătoare a cuptorului.
- Așezați o tavă pe una din șinele inferioare pentru a aduna grăsimea. Pentru a simplifica curățarea, adăugați puțină apă în tavă.

- **Nu uitați să demontați mânerul de plastic de pe frigăruie.**
- După terminarea gătirii, montați mânerul de plastic și scoateți mâncarea din cuptor.

Tabelul duratelor de preparare

	Intervalele din acest tabel sunt orientative. Acestea pot varia în funcție de temperatura, grosimea și tipul alimentelor, precum și de preferințele dvs. culinare.
	Prima șină a cuptorului este cea inferioară .

Prepararea la grill cu gaz

Alimente	Pregătire/amplasare	Durată grill #
Prăjire produse panificație	3..10 min.
Bucăți mici de carne, cârnaț, șuncă etc.	15..20 min.
Pulpe, șuncă afumată, bucăți de pui etc.	Pui pe grătar răsturnat	20..25 min.
Pește întreg, file de pește, batoane de pește	Pește întreg și file de pește amplasate în partea inferioară a tăvii pentru grill.	10..20 min.
Pește în pesmet	15..20 min.
Produce din cartofi semipreparate	15..20 min.
Pizza	Amplasată în partea inferioară a tăvii pentru grill.	12..15 min.
Prepararea la grill/Rumenirea alimentelor	Alimente amplasate direct pe partea inferioară a compartimentului grill-ului.	8...10 min.

În funcție de dimensiune resp. grosime

7 Întreținere și curățare

Informații generale

Curățați produsul regulat pentru a-i prelungi durata de funcționare și a evita problemele frecvente de funcționare.



PERICOL:

Deconectați aparatul de la priză înainte de a începe curățarea sau întreținerea acestuia.
Pericol de electrocutare!



PERICOL:

Lăsați produsul să se răcească înainte de curățare.
Suprafețele fierbinți provoacă arsuri!

- Curățați bine produsul după fiecare folosire. Astfel, reziduurile pot fi îndepărtate mai ușor, evitându-se arderea lor la următoarea utilizare a aparatului.
- Curățarea produsului nu necesită substanțe de curățare speciale. Pentru curățarea produsului folosiți apă caldă cu lichid de spălat vase, un burete sau o cârpă moale, apoi ștergeți-l cu o cârpă uscată.
- Uscati cuptorul în interior după ce îl curățați ștergeți imediat lichidele varsate sau scurse.
- Nu folosiți substanțe de curățare care conțin acid sau clor pentru curățarea mânerului și suprafețelor din oțel inox. Folosiți o cârpă moale cu detergent lichid (neabraziv) pentru a curăța aceste piese, ștergând într-o singură direcție.
- **(Această caracteristică este opțională. Este posibil ca aceasta să nu existe la produsul dvs.)**

Nu folosiți spatule metalice sau substanțe abrazive pentru curățarea capacului de sticlă.
Suprafața de sticlă se poate deteriora.



Suprafața poate fi deteriorată de unii detergenți sau materiale de curățare.
Nu folosiți obiecte ascuțite, prafuri / creme de curățare sau detergenți agresivi.



Nu folosiți sisteme cu aburi pentru a curăța acest aparat, deoarece există pericol de șoc electric.

Curățarea plitei

Plite cu gaz

1. Scoateți și curățați suporturile pentru recipiente și capacele arzătoarelor.
2. Curățați plita.

3. Puneți la loc capacele arzătoarelor asigurându-vă că sunt în poziția corectă.
4. Când montați grilajele superioare, aveți grijă să așezați suporturile pentru recipiente astfel încât arzătoarele să fie centrate.

Curățarea panoului de control

Curățați panoul de control și butoanele acestuia cu o cârpă umedă, apoi ștergeți-le cu o cârpă uscată.



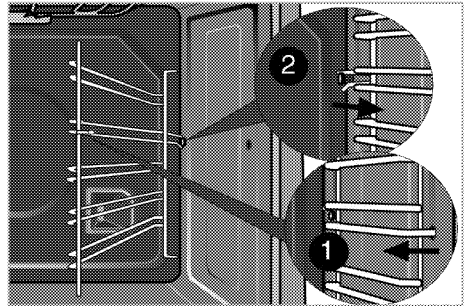
Nu demontați butoanele pentru a curăța panoul de comandă.
Panoul de comandă se poate deteriora!

Curățarea cuptorului

Pentru a curăța peretele lateral

(Această caracteristică este opțională. Este posibil ca aceasta să nu existe la produsul dvs.)

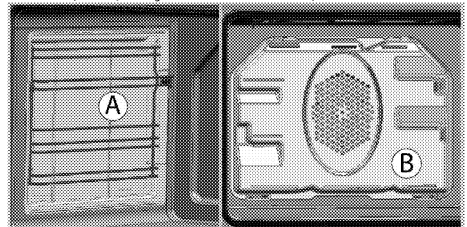
1. Demontați secțiunea frontală a grătarului lateral trăgându-l în direcție opusă față de perete.
2. Scoateți complet grătarul lateral trăgându-l spre dvs.



Pereți cu strat catalitic

(Această caracteristică este opțională. Este posibil ca aceasta să nu existe la produsul dvs.)

Pereții interiori laterali (A) și/sau pereții din spate (B) ai produsului dvs. pot fi acoperiți cu email catalitic. Pereții catalitici au culoarea mată deschisă și suprafața poroasă. Pereții catalitici ai cuptorului nu trebuie curățați. Suprafața poroasă a pereților catalitici se curăță singură prin absorbția și conversia grăsimii scurse (în vapori și dioxid de carbon).



Curățați ușa cuptorului.

Pentru curățarea ușii cuptorului, folosiți apă caldă cu lichid de spălat vase, un burete sau o cârpă moale, apoi ștergeți-o cu o cârpă uscată.



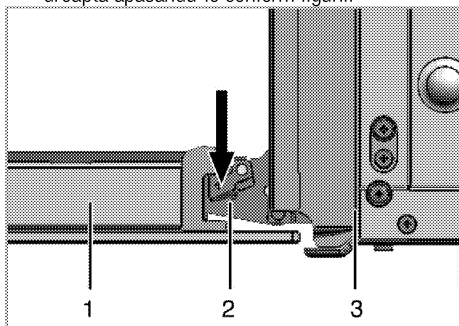
Nu folosiți substanțe de curățare abrazive dure sau paletе metalice ascuțite pentru a curăța ușa cuptorului. Acestea pot zgâria suprafața și distruge sticla.



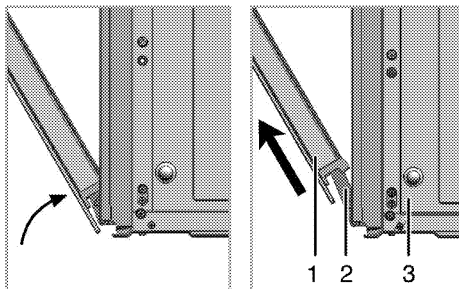
Geamul interior al ușii frontale este acoperit cu un material ușor de curățat. Nu folosiți substanțe de curățat abrazive, paletе metalice dure, bureți de sârmă sau clor pentru curățarea geamului interior al ușii frontale, deoarece puteți zgâria suprafața. Astfel, învelișul protector al panoului se poate distruge.

Demontarea ușii cuptorului

1. Deschideți ușa frontală (1).
2. Deschideți clemele balamalelor (2) stânga și dreapta apăsându-le conform figurii.



- 1 Ușă frontală
- 2 Balama
- 3 Cuptor



3. Închideți ușa pe jumătate.
4. Demontați ușa trăgând-o în sus pentru a o scoate din balamale.

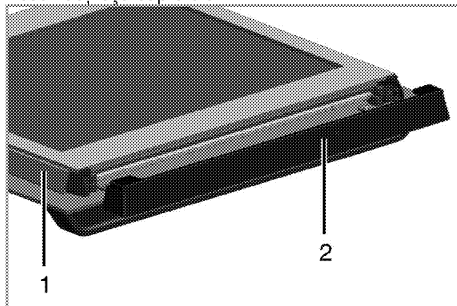


Efectuați în ordine inversă etapele procesului de demontare pentru a monta ușa. Nu uitați să închideți clemele balamalelor după montarea la loc a ușii.

Demontarea geamului interior al ușii (Această caracteristică este opțională. Este posibil ca aceasta să nu existe la produsul dvs.)

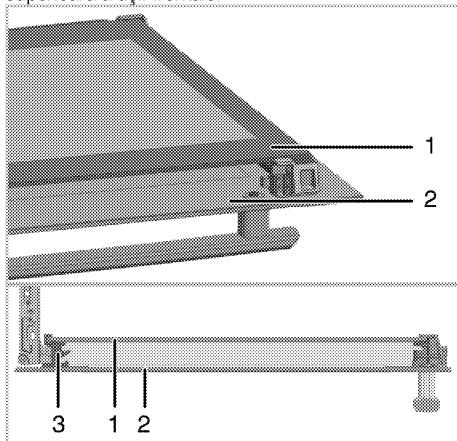
Geamul interior al ușii cuptorului poate fi demontat pentru curățare.

Deschideți ușa cuptorului.



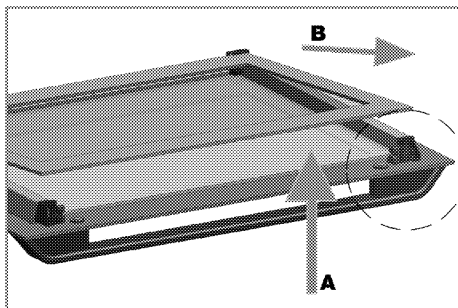
- 1 Cadru
- 2 Piesă din plastic

Trageți și scoateți piesa de plastic din partea superioară a ușii frontale.



- 1 Geam interior
- 2 Geam exterior
- 3 Plastic fantă geam-jos

Urmând indicațiile din figură, ridicați ușor primul geam interior (1) în direcția A și scoateți-l în direcția B.



La montarea geamului interior (1), asigurați-vă că latura inscripționată este orientată spre interior. Este importantă introducerea colțului inferior al geamului în fanta de plastic inferioară. Împingeți piesa din plastic spre cadru până când auziți un clic.

Înlocuirea lămpii cuptorului



PERICOL:

Înainte de a înlocui lampa cuptorului, asigurați-vă că produsul este deconectat de la priză și răcit pentru a evita șocurile electrice. Suprafețele fierbinți provoacă arsuri!



Lampa cuptorului este un bec electric special, care rezistă până la 300 °C. Vezi *Specificații tehnice, pagina 12* pentru detalii. Lămpile pentru cuptor pot fi obținute de la agenții de service autorizați.



Poziția lămpii poate fi diferită față de figură.



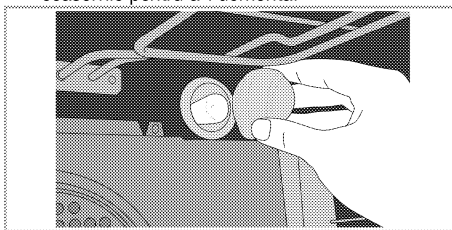
Lampa utilizată în acest produs nu este indicată pentru iluminatul camerei. Scopul destinat al acestei lămpi este de a sprijini utilizatorul în vizualizarea produselor alimentare.



Lămpile utilizate în acest produs trebuie să reziste la condiții fizice extreme cum ar fi temperaturi de peste 50 °C.

Dacă cuptorul dv. este dotat cu o lampă rotundă:

1. Deconectați produsul de la priză.
2. Rotiți capacul de sticlă în sens contrar acelor de ceasornic pentru a-l demonta.



3. Demontați lampa cuptorului rotind-o în sensul acelor de ceasornic și înlocuiți-o cu una nouă.
4. Montați capacul din sticlă.

8 Remedierea problemelor

Cuptorul emite aburi în timpul funcționării.

- Leșirea aburului în timpul funcționării este normală. >>> *Acest lucru nu reprezintă o defecțiune.*

Produsul emite zgomote metalice în timpul încălzirii și răcirii.

- Când piesele de metal se încălzesc, se dilată și pot emite zgomote. >>> *Acest lucru nu reprezintă o defecțiune.*

Produsul nu funcționează.

- Siguranța rețelei electrice este defectă sau decuplată. >>> *Verificați tabloul de siguranțe. Dacă este cazul, înlocuiți-le sau cuplați-le.*
- Produsul nu este conectat la o priză (împământată). >>> *Verificați conexiunea ștecherului.*

Nu se produce scânteia de aprindere.

- Aparatul nu este alimentat cu curent. >>> *Verificați tabloul de siguranțe.*

Gazul este întrerupt.

- Robinetul principal de gaz este închis. >>> *Deschideți robinetul de gaz.*
- Conducta de gaz este îndoită. >>> *Montați corect conducta de gaz.*

Arzătoarele ard neuniform sau nu ard deloc.

- Arzătoarele sunt murdare. >>> *Curățați componentele arzătorului.*
- Arzătoarele sunt ude. >>> *Uscați componentele arzătorului.*
- Capacul arzătorului nu este amplasat corect. >>> *Amplasați corect capacul arzătorului.*
- Robinetul de gaz este închis. >>> *Deschideți robinetul de gaz.*
- Butelia de gaz este goală (dacă se folosește GPL). >>> >>> *Înlocuiți cilindrul de gaz.*



Dacă instrucțiunile din această secțiune nu v-au ajutat să remediați problema, contactați agentul de service autorizat sau dealerul de la care ați cumpărat produsul. Nu încercați să reparați pe cont propriu produsul defect.



Rețeaua de service ARCTIC

Sediul Central Service Căești
Str. 13 Decembrie nr. 210, Căești, Jud. Dâmbovița

Centrul de apeluri

0245 - 605 111, număr apelabil în rețeaua Romtelecom
0372 - 015 111, număr apelabil în rețeaua Vodafone

Programul de funcționare al Centrului de Apeluri

Luni - Vineri: 08:00 - 20:00
Sâmbătă: 09:00 - 17:00

E-mail: service@arctic.ro

Nr. crt.	JUDEȚ	REPREZENTANȚĂ	ADRESA
1.	ALBA	ALBA IULIA	Bd. Transilvaniei, bl. 3FG parter
2.	ARAD	ARAD	Plaza Arenei, bloc E, Sc. C, parter
3.	ARGEȘ	PITEȘTI	Str. Frații Golești, bloc S-9C, parter
4.	BACĂU	BACĂU	Str. Energiei nr. 39, Bl.39, parter
5.	BIHOR	ORADEA	Bd. Dacia nr. 54, bl. U4, parter
6.	BISTRIȚA NĂSAUD	BISTRIȚA	Str. Constantin Roman Vivu, bl.1, Sc.A, parter
7.	BRAILA	BRAILA	Str. Școlilor nr. 37, bloc C, parter
8.	BRAȘOV	BRAȘOV	Str. Jepilor nr. 2, cartier Răcădău
9.	BUCUREȘTI	DECEBAL	Bd. Decebal, nr. 18 - 20, bloc S4, parter
10.	BUZĂU	BUZĂU	Str. Ion Băieșu, bloc C2, parter

Nr. Crt.	JUDEȚ	REPREZENTANȚĂ	ADRESA
11.	CARAS SEVERIN	REȘIȚA	Str. B.A. Petculescu, bloc 1A, parter
12.	CLUJ	CLUJ	Str. C. Brâncuși nr. 2, bloc 3B, parter
13.	CONSTANȚA	CONSTANȚA	Șos. Mangaliei nr. 93, bloc S, parter
14.	COVASNA	SFANTU GHEORGHE	Bd. Nicolae Iorga nr. 10A, Bl.10, parter
15.	DĂMBОВИȚA	GĂEȘTI	Str. 1 Decembrie, bloc 64
16.	DĂMBОВИȚA	TĂRGOVIȘTE	Str. I. C. Brătianu, bl. D1, sc. C, parter
17.	DOLJ	CRAIOVA	Bd. Decebal, nr.79-81, bl.38, parter
18.	GALAȚI	GALAȚI	Str. Constructorilor nr. 7
19.	GORJ	TĂRGU JIU	Str. 1 Decembrie 1918, bl. D6, parter
20.	HARGHITA	MIERCUREA CIUC	Str. Pietei, nr.7, sc. D, parter
21.	HUNEDOARA	DEVA	Bd. 22 Decembrie, bloc 10, sc.1, parter
22.	IALOMIȚA	SLOBOZIA	Str. Dobrogeanu Gherea, bl. D1, sc.C, parter
23.	IAȘI	IAȘI	Str. Sf. Lazăr nr. 6, parter
24.	MARAMUREȘ	BAIA MARE	Str. Traian, nr. 12, bl. 12, parter
25.	MEHEDINȚI	TURNU SEVERIN	Str. Independentei, nr. 39, bl. KA 2, parter
26.	MUREȘ	TĂRGU MUREȘ	Str. Libertății nr. 97
27.	NEAMȚ	PIATRA NEAMȚ	Str. I. Antonescu, nr. 6, bl. T6, sc. B, parter
28.	OLT	SLATINA	Str. Nicolae Titulescu, bl.21A, parter
29.	PRAHOVA	PLOIEȘTI	Str. Gheorghe Doja bl.35, sc. C, parter
30.	SALAJ	ZALAU	Str. Gheorghe Doja, nr.91, bl. D113, sc A, parter
31.	SATU MARE	SATU MARE	Bd. Lucian Blaga, bloc U18, parter
32.	SIBIU	SIBIU	Str. Parcul Tineretului, bl.9, parter
33.	SUCEAVA	SUCEAVA	Str. Mărășești nr. 39a
34.	TELEORMAN	ALEXANDRIA	Str. Dunării, bloc BM2, sc. F, parter
35.	TIMIȘ	TIMIȘOARA	Bd. Stefan cel Mare, bl. U15, parter
36.	TULCEA	TULCEA	Str. Babadag, bl. 3, sc. A, parter
37.	VĂLCEA	RĂMNICU VĂLCEA	Str. Tudor Vladimirescu, nr. 5, sc C, parter
38.	VASLUI	VASLUI	Bd. Republicii nr. 12, bloc G45

