



## **Cooker hood**

User Manual

## **Қақпақты**

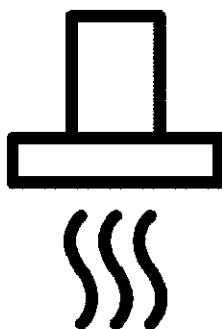
Пайдаланушы нұсқаулығы

## **Hota**

Manual de utilizare

## **Воздухоочистителя**

Руководство пользователя



**BHCP65422BCH**

**EN / KK / RO / RU**

185.7312.08/R.AA/6.06.2023

7702388634



RECYCLED &  
RECYCLABLE PAPER

## Please read this user manual first!

Dear Customer,

Thank you for purchasing this Beko product. We hope that you get the best results from your product which has been manufactured with high quality and state-of-the-art technology. Therefore, please read this entire user manual and all other accompanying documents carefully before using the product and keep it as a reference for future use. If you handover the product to someone else, give the user manual as well. Follow all warnings and information in the user manual.

Remember that this user manual is also applicable for several other models. Differences between models will be identified in the manual.

### Explanation of symbols

Throughout this user manual the following symbols are used:



Important information or useful hints about usage.



Warning of hazardous situations with regard to life and property.



Warning of electric shock.



Warning of risk of fire.



Warning of hot surfaces.



**Arçelik A.Ş.**  
Karaağaç caddesi No:2-6  
34445 Söğütözü/İstanbul/TURKEY  
Made in TURKEY

# TABLE OF CONTENTS

## **1 Important instructions and warnings for safety and environment** **4**

General safety .....	4
Electrical safety .....	4
Product safety .....	5
Intended use .....	5
Children's safety .....	5
Disposing of the old product .....	6
Package information .....	6

## **2 General information** **7**

Overview .....	7
Scope of delivery .....	8
Technical specifications .....	9

## **3 Installation** **10**

Installation .....	10
Future transportation .....	13

## **4 Operating the hood** **14**

## **5 Maintenance and care** **15**

General information .....	15
Replacing the lamp .....	16

## **6 Troubleshooting** **17**

## **I Important instructions and warnings for safety and environment**

This section contains safety instructions that will help protect from risk of personal injury or property damage. Failure to follow these instructions shall void any warranty.

### **General safety**

- This appliance can be used by children aged from 8 years and above and persons with reduced physical, sensory or mental capabilities or lack of experience and knowledge if they have been given supervision or instruction concerning use of the appliance in a safe way and understand the hazards involved. Children shall not play with the appliance. Cleaning and user maintenance shall not be made by children without supervision.
- **Risk of Toxicating!** While the appliance is operating, air in the entire house is sucked. If adequate ventilation is not provided, waste and toxic gasses which are released as a result of burning will be drawn back into the house through chimney draught. Do not operate the appliance together with sources that may emit toxic gasses and create air draught (wood, gas, oil, and coal stoves, water heaters, kettles, etc.).
- Always have the authorized persons check the adequacy of ventilation and chimney draught in your building.
- The appliance is not intended for use by persons (including children) with reduced physical, sensory or mental capabilities, or lack of experience and knowledge, unless they have been given supervised or instruction concerning use of the appliance by a responsible person for their safety. Young children should be supervised to ensure that they do not play with the appliance. Cleaning and user maintenance procedures should not be performed by

the children unless they are under supervision.

- Always have the installation and repair procedures performed by **Authorised Service Agent**. Manufacturer shall not be held responsible for damages arising from procedures carried out by unauthorised persons.
- Do not operate the appliance if it is defective or has any visible damage.
- Make sure that the appliance is switched off after every use.
- If the product is handed over to someone else for personal use or second-hand use purposes, the user manual, product labels and other relevant documents and parts should be also given.
- Appliance must be installed by a qualified person in accordance with the regulations in force. Otherwise, the warranty shall become void.

### **Electrical safety**

- To get your product ready for use, firstly you must have installation place and electric wiring prepared. Later, you may call Authorised Service nearest to you.
- If it has a failure, the product should not be operated without being repaired by the Authorised Service Agent. There is the risk of electric shock!
- Never connect the hood before installation is completed.
- Never touch the plug with wet hands! Do not unplug by pulling from the cable; always hold by the plug to unplug.
- Product must be disconnected from the mains during installation, maintenance, cleaning and repair procedures.
- If the supply cord is damaged, it must be replaced by the manufacturer or its service agent or a similarly qualified person in order to avoid a hazard.
- If your product has been produced with plug, do not cut the plug to connect to electrical supply during installation. Otherwise, the warranty becomes void and the safety risks may happen for users.

- Never connect power cable near to the hobs. If melted down, cable may lead to fire.
- Any work on electrical equipment and systems may only be carried out by authorised and qualified persons.
- In case of any damage, switch off the product and disconnect it from the mains. To do this, turn off the fuse at home.
- Make sure that fuse current is compatible with the product.
- Never wash down the product with water! There is the risk of electric shock!

## Product safety

- The height between the lower surface of the hood and upper surface of the hob should not be less than 550 mm.
- Never touch the hood's lamp after they operated for a long time. Hot lamps may burn your hands.
- Never operate the product without oil filter. Never remove filters when the product is in use.
- Avoid big flames beneath the product. Otherwise, particles on oil filter may flame up and cause fire.
- Turn on the hobs after placing pans or pots on. Otherwise, rising temperature may deform certain parts of your product.
- Turn off the hobs before taking away pans or pots.
- Avoid inflammable materials under the hood.
- Do not expose the product to open flames beneath it. It can cause oils accumulated in the filter to catch fire. Do not operate the product without filter.
- Never leave the cooker unattended when frying foods, the oil may flame up and boiled oil may cause fire. Thus, be careful about cloths and curtains.
- If the hood is not periodically and properly cleaned, this may cause burning risk on your hood.
- For refreshing the kitchen's air from cooking smells and steams, please turn on your hood for 15 minutes more after cooking or frying has ended.
- There shall be adequate ventilation of the room when the range hood is used at the same time as appliances burning gas or other fuels. (Not applicable to appliances

- that only discharge the air back into the room)
- In the environment where the hood is being used, the exhaust of fuel oil or gas devices such as room heater must be absolutely insulated or device must be hermetical type.
- If there is a fuel oil or gas device in the environment, the room must be ventilated sufficiently.
- When a non-electrically operated device is concurrently used in the environment together with the hood, the negative pressure in the room must be maximum 0.04 mbar to avoid the hood's returning other device's exhaust into the room.
- Never connect the hood to the chimneys used for heaters, waste gas or with rising flames. Observe authorities' regulations on the draining of output air.
- When connecting to the chimney, use 120-mm diameter pipes. Pipe connection must be as short as possible with fewer bends.
- Do not hang easily flammable and combustible materials on hood handles.
- Our company shall never be responsible for the problems arising from the use against the warnings above.
- There is a risk of fire if cleaning is not carried out in accordance with the instructions.
- There should be no open fire under the hood. (example: flambé)
- Caution: Accessible parts may become hot when used with a cooking appliance.
- You are recommended to clean your filter once a month in normal use.

## Intended use

This product is designed for domestic use. Commercial use is not admissible. The manufacturer shall not be liable for any damage caused by improper use or handling.

## Children's safety

- Keep children away from the product when it is operating and do not allow them to play with the product.
- Packaging materials are dangerous to children. Keep the packaging materials in a place where children cannot reach and

sort and discard them in accordance with the waste disposal directives.

- Electrical products are dangerous to children. Keep children away from the product when it is operating and do not allow them to play with the product.

### **Disposing of the old product**

#### **Compliance with the WEEE Directive and Disposing of the Waste Product:**



This product complies with EU WEEE Directive (2012/19/EU). This product bears a classification symbol for waste electrical and electronic equipment (WEEE). This product has been manufactured with high quality parts and materials which can be reused and are suitable for recycling. Do not dispose of the waste product with normal domestic and other wastes at the

end of its service life. Take it to the collection center for the recycling of electrical and electronic equipment. Please consult your local authorities to learn about these collection centers.

#### **Compliance with RoHS Directive:**

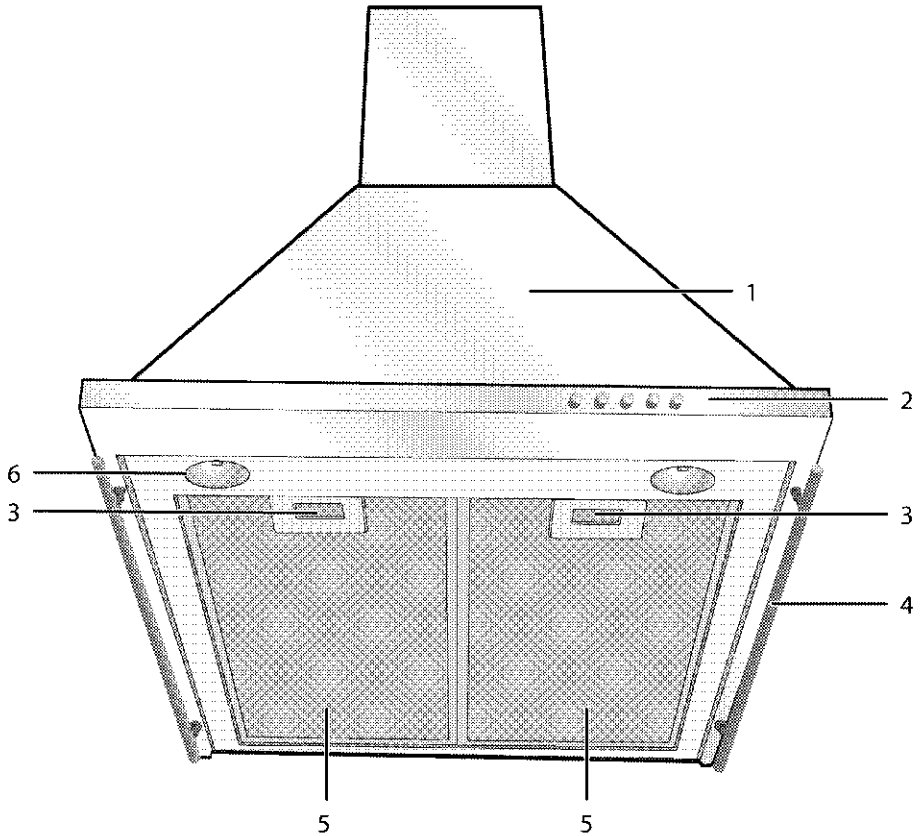
The product you have purchased complies with EU RoHS Directive (2011/65/EU). It does not contain harmful and prohibited materials specified in the Directive.

#### **Package information**

- Packaging materials of the product are manufactured from recyclable materials in accordance with our National Environment Regulations. Do not dispose of the packaging materials together with the domestic or other wastes. Take them to the packaging material collection points designated by the local authorities.

## 2 General information

### Overview

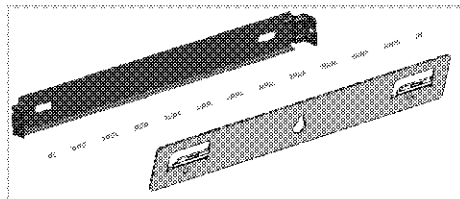


- 1 Hood body
- 2 Control panel
- 3 Aluminum filter lock
- 4 Handle
- 5 Aluminum filter
- 6 Lamp

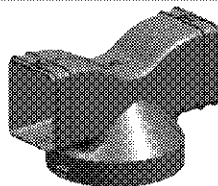
## Scope of delivery

**i** Accessories supplied can vary depending on the appliance model. Not every accessory described in the user manual may exist on your appliance.

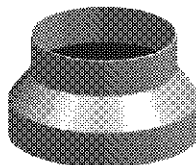
1. User manual
2. Wall connector



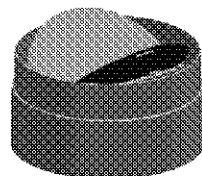
3. Air directing component



4. Chimney connection adapter



5. Valves to prevent reverse air flow





## Technical specifications

External dimensions (height/width/depth)	min.740 mm max. 1135 mm/598 mm/502 mm
Voltage/frequency	220-240 V ; 50 Hz
Control	3 level
Suction power	415 m <sup>3</sup> /h
Total power consumption	max. 170 W
Air outlet pipe diameter	120-150 mm
<b>LAMP</b>	
Lamp type	Led
Lamp power consumption	3 W
Max. power of a potential replacement lamp	max.2 x 4W.Led /max.2 x 28 W.Halogen
Voltage/frequency of lamp	230 V~; 50/60 Hz
Type of lamp cap	GU10
Diameter/length of lamp	50 mm /55 mm

**i** Technical specifications may be changed without prior notice to improve the quality of the product.

**i** Figures in this manual are schematic and may not exactly match the product.

**i** Values stated on the markings of the product or in other printed documents supplied with the product are obtained under laboratory conditions as per relevant standards. Depending on operational and environmental conditions of the product, these values may vary.

### 3 Installation

Refer to the nearest Authorised Service Agent for installation of the product. Make sure that the electric installations are in place before calling the Authorised Service Agent to have the product ready for operation. If not, call a qualified electrician and fitter to have the required arrangements made.

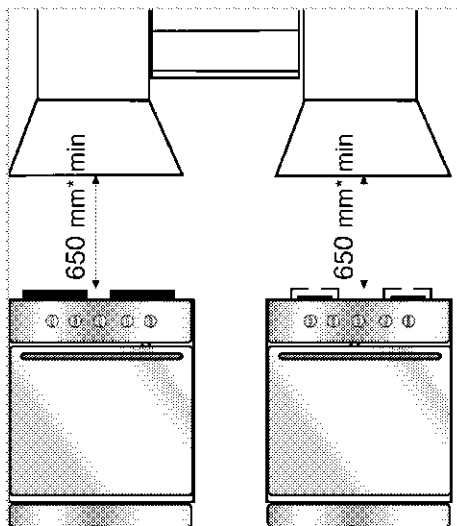
**i** Preparation of location and electrical installation for the product is under customer's responsibility.

**!** The product must be installed in accordance with all local electrical regulations.

**!** Prior to installation, visually check if the product has any defects on it. If so, do not have it installed. Damaged products cause risks for your safety.

**!** Warning: Failure to install the screws or fixing device in accordance with the instructions may result in electrical hazards.

#### Installation



\* min.

There should be a minimum clearance of 650 mm between the top surface of the hob and the bottom surface of the hood.

The air to be extracted via the hood should not be connected to a chimney that is used by other appliances that use gas or other fuels. (It does not apply to devices that only blow the air back into the room)

The regulations on air exhaust should be followed.

#### Electrical connection

Manufactured with 2-track power cable, this device must be connected to the mains by an electrical switch with at least 3mm clearance between bipolar contact leads. Have the electrical connections done by a qualified electrician.

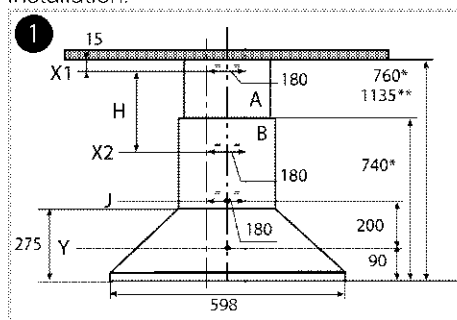
- Install your appliance so that you can reach the power connection (plug, outlet) easily after installation.

#### Installing the hood

**i** Measurements are in mm.

The following provides necessary information to prepare the location for hood installation.

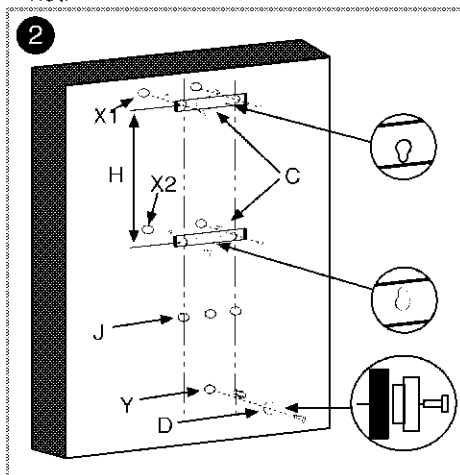
The hood must be installed above the central axis of the cooking appliance. There should be a minimum clearance of 650 mm between the top surface of the hob and the bottom surface of the hood. Please apply the following steps for the hood's installation.



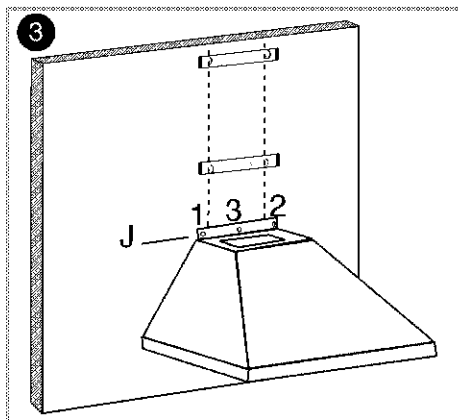
\* min.

\*\* max.

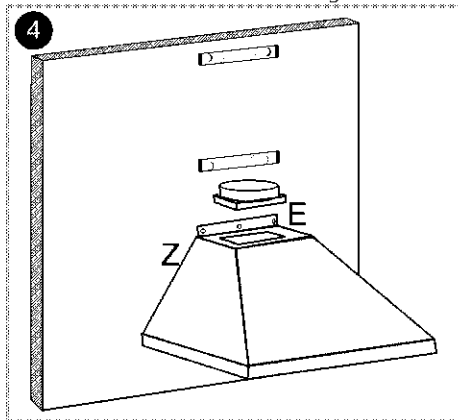
1. Centering the cooking appliance, draw an axis line on the wall up to 950mm height. Later, draw two parallel lines at 90mm distance on both sides of the axis line reaching to the ceiling. Then, determine hole locations by drawing the lines Y-J-X2 and X1 that cut vertically the axis line, for which measurements are given in Figure 1.
2. Drill eight 8-mm holes on the points X, Y, X2, X1 and place plastic plugs supplied with the packaging. Check if chimney connectors correspond to those holes or not.



3. As shown in Figure 2, fix connectors (C) to the holes X1 and X2 via two fixing screws supplied with the accessories. Screw distance ring (D) on the Y hole as small-diameter side facing the wall.



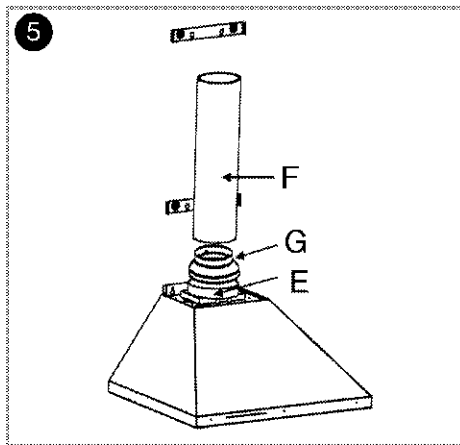
4. Install the hood from the key hole on back plate onto the distance ring and pull downward to make sure that it is secured. Then, screw the body onto the wall from the holes J1 and J2 on the upper back of the body. To avoid the hood falling down accidentally for any reason, screw it also from the hole J3 shown in Figure 3.



5. As shown in Figure 4, place the chimney outlet flange (E) to the rectangular outlet on the upper part of the hood, and screw the flange onto the body using 2.9-mm traced screws supplied with accessories.

#### 6. For chimney connection usage:

In chimney-connected position, absorbed air will go through oil filters to the outlet and then will reach to the chimney through connection pipes and finally expelled from the chimney.



When using this connection position, 150mm to 120 mm E connector should be installed on the chimney outlet flange as shown in Figure 5.

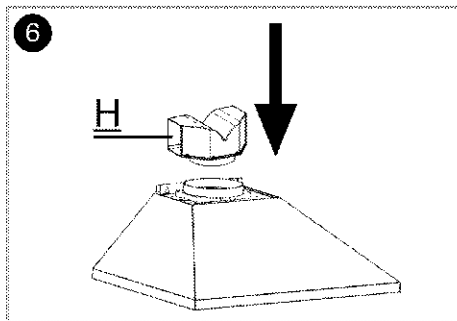
Chimney connection pipes must be made of fireproof plastic material. When using flexible connection type, it should be considered that sharp corners and sudden contractions will have a negative impact on air suction.

The hood must never be connected to a chimney to which another device was already connected.

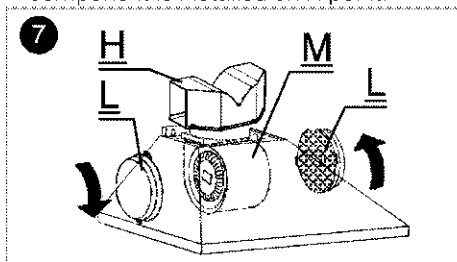
- i** Connection pipe should not be larger than 120-150 mm; otherwise, proper chimney connection will be prevented.

### 7. Internal circulation (Use with carbon filter)

In the position of internal circulation, the air absorbed from the environment will go through oil filters and carbon filters, where the smell is eliminated, and pass through air directing component. Later, it is finally sent back to the environment through the grates on chimney.



As shown in Figure 6, air directing component is installed on H point.

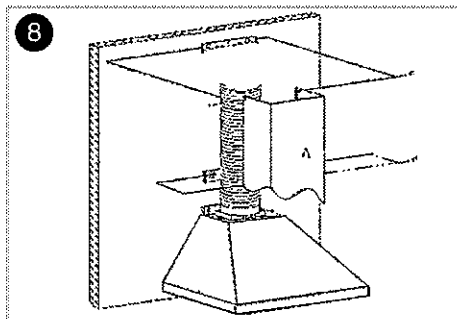


Place ear slots of carbon filters (L) to the ears on motor carrier (M) as shown in Figure 7 and turn anti-clockwise to fix in place. Apply the same procedure for the motor carrier on the other side.

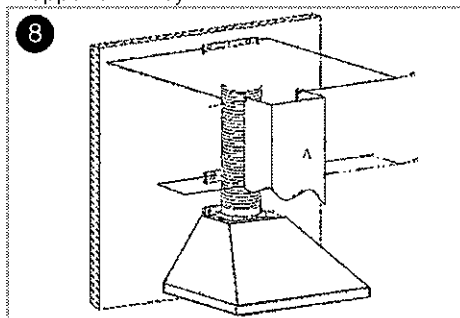
- i** Failure to clean and service oil filters periodically and failure to replace carbon filters at the end of service life (approximately 4 months) may have the risk of causing fire.

### 8. Installation of chimney

To install upper chimney A, secure the upper corners of the chimney on the connection (C) as shown below and screw it onto the connector with 2.9-mm screws.



Distance between the hole X1 and X2 is determined during the installation process depending on the usage length of the upper chimney.



To install lower chimney B, stretch the chimney by pulling slightly from both sides and secure it onto upper chimney's slots as shown in the figure above.

### You may use the hood in two ways:

#### 1-Chimney-connected use

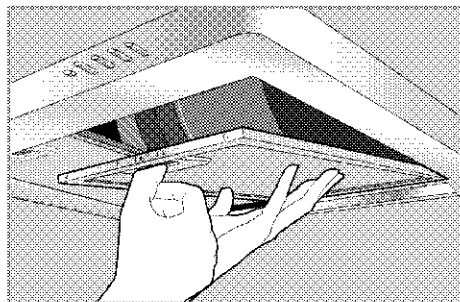
The steam is expelled via chimney pipe which is secured to the connection ring on the hood. Diameter of chimney pipe should be equal to connection ring. To allow the air easily going out of the room in horizontal arrangements, the pipe should be slightly tilted upwards (approximately  $10^\circ$ ).

**i** If the carbon filter is installed on your hood, remove it when using the hood with the chimney.

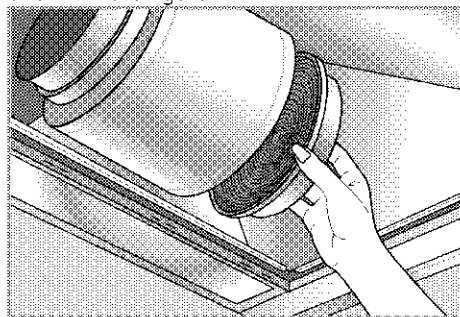
#### 2- Use with no chimney connection

Air is filtered through carbon filter and returned to the room. Carbon filter is used when there is no chimney in the house or when it is impossible to install a chimney pipe.

- Remove aluminum filters as shown below.



- To install carbon filter, center the filter over the plastic parts on both sides of fan body and secure the filter in tabs.
- Tighten by turning it to right and left as shown in the figure.



- Re-install aluminum filters.

### Future transportation

- Keep the product's original carton and transport the product in it. Follow the instructions on the carton. If you do not have the original carton, pack the product in bubble wrap or thick cardboard and tape it securely.

**i** Do not place any objects onto the product and move it in upright position.

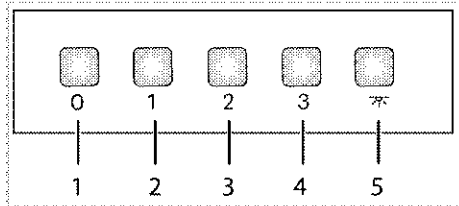
**i** Check the general appearance of your product for any damages that might have occurred during transportation.

## 4 Operating the hood

Hood is equipped with a motor with various speed settings.

For a better performance, we advise you to use low speeds in normal conditions, and high speeds when smell and vapors are intensified.

### Operating the hood



- 1 Off button
- 2 Speed1
- 3 Speed2
- 4 Speed3
- 5 Lamp button

1. Press on relevant button for the speed you want to operate the hood.

**i** Never press on two buttons at the same time. If pressed, higher speed will be activated.

### Turning off the hood

1. Press on the Off button when the hood is operating in a certain speed.

### Operating the lamp

1. Press on the lamp button to operate the lamp.

### Turning off the lamp

1. Press on the lamp button again to turn off the lamp.

**i** Off button do not turn off the lamp, it only stops operation of the hood.

## 5 Maintenance and care

### General information

Service life of the product will extend and frequent problems will decrease if the product is cleaned at regular intervals.

**!** Disconnect the product from mains supply before starting maintenance and cleaning works.  
There is the risk of electric shock!

- Clean the product thoroughly after each use. In this way it will be possible to remove cooking residues more easily, thus avoiding these from burning the next time the appliance is used.
- No special cleaning agents are required for cleaning the product. Use warm water with washing liquid, a soft cloth or sponge to clean the product and wipe it with a dry cloth.
- Do not use cleaning agents that contain acid or chloride to clean the stainless or inox surfaces and the handle. Use a soft cloth with a liquid detergent (not abrasive) to wipe those parts clean, paying attention to sweep in one direction.

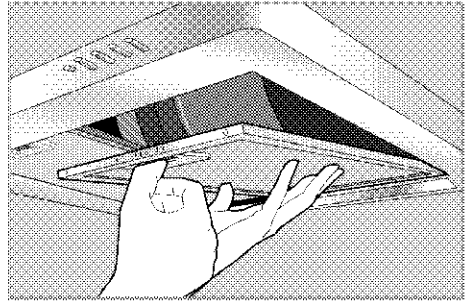
**i** The surface might get damaged by some detergents or cleaning materials.

Do not use aggressive detergents, cleaning powders/creams or any sharp objects during cleaning.

**i** Do not use steam cleaners for cleaning.

### Aluminum filter

This filter captures oil particles in the air. You are recommended to clean your filter once a month in normal use. Please firstly remove aluminum filters for this process. Wash the filters in liquid-detergent water and install them after drying. Aluminum filters might change colour in time due to washing. This is normal and you don't need to replace the filter.



**i** You can also wash aluminum filters in dishwasher.

### Removing aluminum filters

1. Push aluminum filter lock forward.
2. Slightly lower the filter and pull forth. Otherwise, you may bend the filter.
3. After washing, reverse the steps above to re-install the aluminum filter.

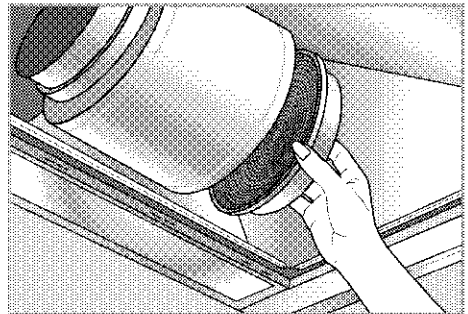
### Carbon filter (Use without chimney)

**i** Carbon filter should never be washed.

It should be replaced once every 4 months in normal use. You may obtain carbon filters from the Authorised Service.

### Removing carbon filters

1. Remove aluminum filters
2. To remove carbon filter, turn it to release from the tab.



3. Install the new carbon filter.
4. Re-install aluminum filters.

**i** You may cause fire if you do not observe the rules regarding the cleaning and replacing hood filters.

## Replacing the lamp

**i** The hood lamp in this product can be changed by the user.

**!** Before replacing the lamp, make sure that the product is disconnected from mains in order to avoid the risk of an electrical shock. If hot, let the lamp cool down.  
Hot surfaces may cause burns!

**i** For the specifications of the lamp, see *Technical specifications, page 9*. Oven lamps can be obtained from Authorised Service Agents.

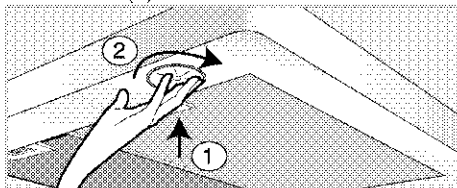
**i** Position of lamp might vary from the figure.

**i** The lamp used in this appliance is not suitable for household room illumination. The intended purpose of this lamp is to assist the user to see foodstuffs.



Use only with self-shielded tungsten halogen lamps or self-shielded metal halide lamps.

1. Remove the lamp pressing it towards its seat in clockwise direction (1) and then remove turning it in counterclockwise direction (2).



2. Insert the new lamp turning it in clockwise direction.
3. A "click" will be heard when the lamp is secured in its place.



## 6 Troubleshooting

### Product does not operate.

- The mains fuse is defective or has tripped. >>> *Check fuses in the fuse box. If necessary, replace or reset them.*
- Product is not plugged into the socket. >>> *Check the plug connection.*
- Speed button might not be set. >>> *Press the required speed button.*
- Power is cut. >>> *Check if there is power. Check the fuses in the fuse box. If necessary, replace or reset the fuses.*

### Hood light does not work.

- Hood lamp is defective. >>> *Replace the hood lamp.*
- Power is cut. >>> *Check if there is power. Check the fuses in the fuse box. If necessary, replace or reset the fuses.*



Consult the Authorised Service Agent or the dealer where you have purchased the product if you cannot remedy the trouble although you have implemented the instructions in this section. Never attempt to repair a defective product yourself.

Arcelik A.S.

Karaağaç Caddesi No:2-6 Sütlüce, 34445, Turkey

Made in TURKEY

Importer in Russia: «BEKO LLC»

Address: Selskaya street, 49, Fedorovskoe village, Pershinskoe rural settlement, Kirzhach district, Vladimir region, Russian Federation 601021

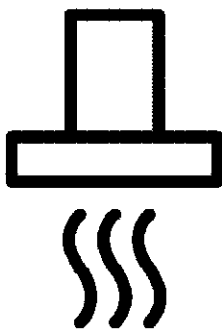
The manufacture date is included in the serial number of a product specified on rating label, which is located on a product, namely: first two figures of serial number indicate the year of manufacture, and last two \_ the month. For example, "10- 100001-05" indicates that the product was produced in May, 2010.

You can ask for certification number from our Call Center 8-800-200-23-56 The manufacturer reserves the right for making changes in modification, design and specification of an electric device.



# beko

## Қақпақты Пайдаланушы нұсқаулығы



KK



ҚАЙТА ӨНДЕЛГЕН ЖӘНЕ  
ҚАЙТА ӨНДЕУГЕ  
БОЛАТЫН ҚАҒАЗ

## Алдымен пайдаланушы нұсқаулығын оқыңыз!

Құрметті тұтынушы,

Веко өнімін таңдағаныңызға рақмет. Жоғары сапамен және заманауи технологиямен өндірілген өнімнен ең жақсы нәтижелерді аласыз деп үміттенеміз. Сондықтан, өнімді пайдаланбай тұрып осы пайдаланушы нұсқаулығын және басқа құжаттарды толығымен оқып шығыңыз және болашақта пайдаланатын анықтама ретінде сақтаңыз. Егер өнімді басқа біреуге тапсырсаңыз, пайдаланушы нұсқаулығын да беріңіз. Пайдаланушы нұсқауларындағы бүкіл ескертулер мен ақпараттағы нұсқауларды орындаңыз. Бұл пайдаланушы нұсқаулығы бірнеше басқа үлгіге де қатысты екенін есте сақтаңыз. Нұсқаулықта үлгілер арасындағы айырмашылықтар көрсетіледі.

### Белгілердің түсіндірмесі

Осы пайдаланушы нұсқаулығында келесі белгілер пайдаланылады:



Пайдалану туралы маңызды ақпарат немесе пайдалы кеңестер.



Өмірге және меншікке қатысты қауіпті жағдайлар туралы ескерту.



Ток соғуы туралы ескерту.



Өрт қаупі туралы ескерту.



Ыстық беттер туралы ескерту.



**Arçelik A.Ş.**  
Karaağaç caddesi No:2-6  
34445 Sütlüce/Istanbul/TURKEY  
Made in TURKEY

**1 Қауіпсіздік және қоршаған орта туралы маңызды нұсқаулар және ескертулер 4**

Жалпы қауіпсіздік .....	4
Электр қауіпсіздігі .....	5
Өнімнің қауіпсіздігі .....	6
Мақсатты пайдалану .....	8
Балалардың қауіпсіздігі .....	8
Ескі өнімді тастау .....	8
Орама материалдарын тастау .....	9

**2 Құрылғыңыз 10**

Шолу .....	10
Жеткізу ауқымы .....	11
Техникалық сипаттамалары .....	11

**3 Орнату 12**

Орнату .....	12
Болашақта тасымалдау .....	15

**4 Қақпақты пайдалану 16****5 Күту мен техникалық қызмет көрсету 17**

General information .....	17
Шамды ауыстыру .....	18

**6 Ақаулықтарды жою 19**

## **1 Қауіпсіздік және қоршаған орта туралы маңызды нұсқаулар және ескертулер**

Бұл бөлім жеке жарақаттан немесе меншіктің зақымдалуынан қорғауға көмектесетін қауіпсіздік туралы нұсқауларды қамтиды. Бұл нұсқауларды орындамау бүкіл кепілдікті жояды.

### **Жалпы қауіпсіздік**

- Бұл жабдықты 8 жастан жоғары балалар және дене, сезу немесе ақыл-ай мүмкіндіктері нашар адамдар жабдықты қауіпсіз пайдалану туралы бақылау немесе нұсқау берілсе және байланысты қауіптерді түсінсе пайдалана алады. Балалар жабдықпен ойнамауы керек. Тазалауды және техникалық қызмет көрсетуді балалар бақылаусыз орындамауы керек.
- **Улану қаупі бар!** Құрылғы жұмыс істеп жатқанда бүкіл үйдегі ауа тартылады. Егер тиісті желдету қамтамасыз етілмесе, жану нәтижесінде шығатын қоқыс және уытты газдар түтінтіктің тартуы арқылы үйге кері тартылуы мүмкін. Құрылғыны уытты газдар шығаруы және ауаны тартуға әкелуі мүмкін көздермен (ағаш, газ, май және көмір плиталары, су жылытқыштары, шәйнектер, т.б.) бірге пайдаланбаңыз.
- Әрқашан өкілетті тұлғаларға ғимараттағы желдетудің және түтіндіктің тартуының дұрыстығын тексертіңіз.
- Бұл құрылғыны физикалық, сезу және ойлау қабілеттері шектеулі (балаларды қоса), не болмаса тәжірибесі не білімі жоқ адамдар олардың қауіпсіздігіне жауапты адамның қадағалауымен және құрылғыны пайдалануға байланысты нұсқауларды бермейінше қолданбауы тиіс. Кішкентай балалар құрылғымен ойнамайтынына көз жеткізу үшін бақылау астында болуы тиіс.

Тазалау және техникалық қызмет көрсету процедураласы бақылау астында болмағанда, балалар тарапынан орындалмауы тиіс.

- Орнату және жөндеу процедураларын әрқашан **Өкілетті қызмет көрсету агенті** орындауы керек. Өндіруші өкілетті емес тұлғалар жүзеге асырған процедуралардан болған зақымдарға жауапты болмайды.
- Ақаулы болса немесе кез келген көрінетін зақымы болса, құрылғыны пайдаланбаңыз.
- Әр пайдаланудан кейін құрылғыны өшіріңіз.
- Егер әлдекім өнімді пайдаланса немесе біреуден сатып алса, пайдаланушы нұсқаулығы, өнім жапсырмалары және басқа тиісті құжаттамалар мен бөлшектер онымен бірге берілуі тиіс.
- Құрылғыны білікті тұлға күшіндегі ережелерге сай орнатуы керек. Әйтпесе, кепілдік күші жойылады.

### **Электр қауіпсіздігі**

- Өнімді пайдалануға дайын ету үшін алдымен орнату

орнын және электр сымдарын дайындау керек. Кейінірек сізге ең жақын өкілетті сервиске қоңырау шала аласыз.

- Ақаулығы болса, өнімді өкілетті сервис агенті жөндей тұрып пайдаланбау керек. Ток соғу қаупі бар!
- Ешқашан орнату аяқталмай тұрып қақпақты розеткаға қоспаңыз.
- Ешқашан ашаға ылғалды қолдармен тимеңіз! Кабельдер тарту арқылы розеткадан суырмаңыз, әрқашан розеткадан суыру үшін ашадан ұстаңыз.
- Орнату, техникалық қызмет көрсету, тазалау және жөндеу процедуралары кезінде өнімді желіден ажырату керек.
- Егер қуатпен қамту сымы зақымдалса, жарақатты болдырмау үшін, ол өндіруші немесе қызмет көрсетуші агент тарапынан не білікті маман тарапынан орындалуы тиіс.
- Егер сіздің өнім штепсельмен шығарылған болса, орнату кезінде

электр желісіне қосылу үшін ашаны кесіп алмаңыз. Әйтпесе, кепілдік күшін жояды және пайдаланушылар үшін қауіпсіздік қаупі болуы мүмкін.

- Ешқашан қуат кабелін жанарғылардың жанында жалғамаңыз. Ерісе, кабель өртке әкелуі мүмкін.
- Электр жабдықта және жүйелерде кез келген жұмысты тек өкілетті және білікті тұлғалар жүзеге асыра алады.
- Кез келен зақым жағдайында өнімді өшіріңіз және желіден ажыратыңыз. Мұны істеу үшін сақтандырғышты үйде өшіріңіз.
- Сақтандырғыш тогы өніммен үйлесімді екенін тексеріңіз.
- Ешқашан өнімді сумен жумаңыз! Ток соғу қаупі бар!

### **Өнімнің қауіпсіздігі**

- Қақпақтың төменгі беті мен сөренің жоғарғы беті арасындағы биіктік 650 мм-ден аз болмауы керек.
- Ешқашан ұзақ уақыт бойы пайдаланудан кейін қақпақ шамына тимаңыз. Ыстық

шамдар қолдарыңызды күйдіруі мүмкін.

- Ешқашан өнімді май сүзгісіз пайдаланбаңыз. Ешқашан өнім пайдаланылып жатқанда сүзгілерді алмаңыз.
- Өнім астында үлкен жалындарды болдырмаңыз. Әйтпесе, май сүзгісіндегі бөлшектер тұтанып, өрт тудыруы мүмкін.
- Жанарғыларды кәстрөлдерді немесе құмыраларды қойғаннан кейін қосыңыз. Әйтпесе, көтеріліп жатқан температура өнімнің белгілі бір бөліктерінің пішінін өзгертуі мүмкін.
- Кәстрөлдерді немесе құмыраларды алу алдында жанарғыларды өшіріңіз.
- Қақпақ астында тұтанғыш материалдарды пайдаланбаңыз.
- Өнімге астында ашық жалындардың әсер етуін болдырмаңыз. Бұл сүзгіде жиналған майлардың өртенуіне әкелуі мүмкін. Өнімді сүзгісіз пайдаланбаңыз.
- Ешқашан тамақтарды қуыру кезінде плитаны қараусыз қалдырмаңыз,



- май тұтануы және қайнаған май өрт тудыруы мүмкін. Сондықтан, киімдерге және перделерге сақ болыңыз.
- Егер қақпақты кезеңді түрде және дұрыстап тазаламаса, бұл қақпақты күйю қаупін тудыруы мүмкін.
  - Асүй ауасын әзірлеу иістерінен және буларынан тазалау үшін әзірлеу немесе қуыру аяқталғаннан кейін қақпақты тағы 15 минутқа қосыңыз.
  - Түтік сорғы құрылғыларда газ немесе басқа отын жануымен қатар пайдаланылғанда бөлме тиісінше желдетілуі тиіс. (Тек ауаны бөлмеге кері шығаратын құрылғыларға қатысты қолданылмайды).
  - Қақпақ пайдаланылып жатқан қоршаған ортада бөлме жылытқышы сияқты отындық май немесе газ құрылғыларының шыққан қалдықтарын мүлде оқшаулау керек немесе құрылғының түрі герметикалық болуы керек.
  - Егер қоршаған ортада отындық май немесе газ құрылғысы болмаса, бөлмені жеткілікті желдету керек.
  - Егер қоршаған ортада электрмен жұмыс істемейтін құрылғы қақпақпен бірге пайдаланылса, қақпақ екінші құрылғының шыққан қалдықтарын бөлмеге қайтармауы үшін бөлмедегі теріс қысым ең көбі 0,04 мбар болуы керек.
  - Ешқашан жылытқыштар, қалдық газ немесе көтерілетін жалындары бар түтіндіктерге жалғамаңыз. Шығыс ауаны шығару туралы билік органдарының ережелерін сақтаңыз.
  - Түтіндікке жалғағанда диаметрі 120 мм құбырларды пайдаланыңыз. Құбыр қосылымы мүмкіндігінше қысқа, азырақ майысулармен болуы керек.
  - Оңай тұтанатын және жарылғыш материалдарды қақпақ тұтқаларына ілмеңіз.
  - Біздің компания жоғарыдағы ескертулерге

қайшы пайдаланудан туындаған мәселелерге ешқашан жауапты болмайды.

- Тазалау нұсқауларға сәйкес орындалмаған жағдайда өрт туындау қаупі бар.
- Сорғыштың астында ашық от болмауы керек. (мысал: жалын)
- Абай болыңыз: Дайындау құрылғысымен бірге пайдаланылғанда ашық бөліктер қызуы мүмкін.
- Сізге сүзгіні қалыпты пайдалану кезінде айына бір рет тазалау ұсынылады.

### **Мақсатты пайдалану**

Бұл өнім үйде пайдалануға арналған. Коммерциялық пайдалануға рұқсат етілмейді.

Өндіруші дұрыс емес пайдалану немесе ұстау тудырған ешбір зақымға жауапты болмайды.

### **Балалардың қауіпсіздігі**

- Жұмыс істеп жатқанында балаларды өнімнен аулақ ұстаңыз және оларға өніммен ойнауға рұқсат етпеңіз.
- Орама материалдары балаларға қауіпті. Орама

материалдарын балалар жетпейтін жерде ұстаңыз, әрі оларды қоқысты лақтыру директиваларына сай сұрыптаңыз және қоқысқа лақтырыңыз.

- Электр өнімдер балаларға қауіпті. Жұмыс істеп жатқанында балаларды өнімнен аулақ ұстаңыз және оларға өніммен ойнауға рұқсат етпеңіз.

### **Ескі өнімді тастау**

**Қоқыс өнімдерді лақтыру туралы WEEE директивасының талаптарына сәйкестік:**



Бұл өнім EO WEEE директивасының (2012/19/EU) талаптарына сәйкес келеді. Бұл өнімде қоқыс электр және электрондық жабдық (WEEE) жіктеу таңбасы бар.

Бұл өнім қайта пайдалануға болатын және қайта өңдеу үшін жарамды жоғары сапалы бөлшектермен және материалдармен жасалған. Қызмет көрсету мерзімі біткенде қоқыс өнімді әдеттегі тұрмыстық және басқа қоқыстармен бірге лақтырмаңыз. Оны электр және электрондық жабдықтарды қайта өңдеу үшін жинау орталығына апарыңыз. Бұл жинау орталықтары туралы білу үшін жергілікті билік органдарына хабарласыңыз.

**RoHS директивасының талаптарына сәйкестік:**

Сіз сатып алған өнім EO RoHS директивасының (2011/65/EU) талаптарына сәйкес келеді. Оның құрамында директивада көрсетілген зиянды және тыйым салынған материалдар жоқ.

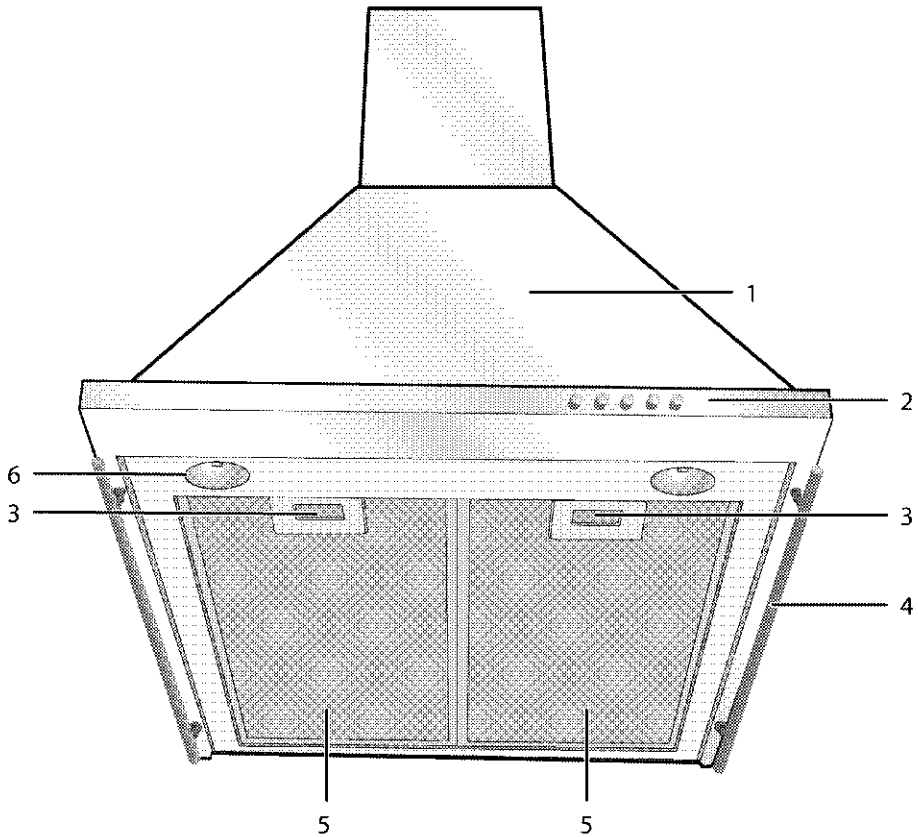
## **Орама материалдарын тастау**

- Орама материалдары балалар үшін қауіпті. Орама материалдарын балалардың қолы жетпейтін қауіпсіз жерге қойыңыз. Өнімнің орама материалдары қайта өңделетін

материалдардан жасалған. Қайта өңделетін қалдық нұсқауларына сәйкес сұрыптаңыз және оларды дұрыс тастаңыз. Оларды қалыпты үй қалдықтарымен бірге тастамаңыз.

## 2 Құрылғыңыз

### Шолу



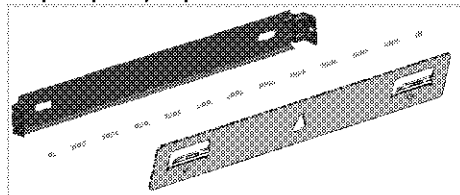
- 1 Қақпақ корпусы
- 2 Басқару тақтасы
- 3 Алюминий сүзгісінің құлпы
- 4 Түтқа
- 5 Алюминий сүзгі
- 6 Шам

## Жеткізу ауқымы

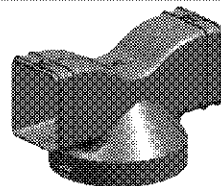
**i** Жинақтағы қосалқы құралдар құрылғы үлгісіне байланысты әр түрлі болуы мүмкін. Пайдаланушы нұсқаулығында сипатталған кейбір қосалқы құралдар құрылғыңызда болмауы мүмкін.

### 1. Пайдаланушы нұсқаулығы

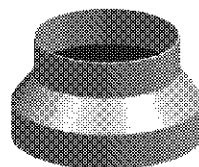
### 2. Қабырға қосқышы



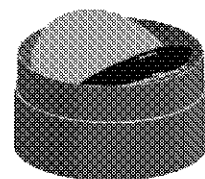
### 3. Ауа бағыттау құрамдасы



### 4. Түтіндікке жалғау адаптері



### 5. Кері ауа ағынын болдырмау клапандары



## Техникалық сипаттамалары

Сыртқы өлшемдері (биіктігі/ені/тереңдігі)	мин.740 мм макс. 1135 мм/598 мм/502 мм
Кернеу/жиілік	220-240 В ; 50 Гц
Басқару элементі	3 деңгей
Сору қуаты	415 м³/h
Жалпы қуатты тұтыну	макс. 170 Вт
Ауа шығару құбырының диаметрі	120-150 мм
<b>ШАМ</b>	
Шам түрі	ЖД шамы
Шамның қуатты тұтынуы	3 Вт
Ықтимал ауыстыру шамының макс қуаты	макс.2 x 4 Вт.ЖД шамы /макс.2 x 28 Вт.Галоген
Шам кернеуі/жиілігі	230 В~; 50/60 Гц
Шам қақпағы түрі	GU10
Шам диаметрі/ұзындығы	50 мм /55 мм

**i** Техникалық сипаттамалары өнім сапасын жақсарту үшін алдын ала ескертусіз өзгертілуі мүмкін.

**i** Бұл нұсқаулықтағы суреттер мысал ретінде берілген және өнімге дәл сәйкес келмеуі мүмкін.

**i** Өнім таңбаларында немесе өніммен бірге берілген басқа басылған құжаттарда берілген мәндер тиісті стандарттарға сай зертханалық жағдайларда алынған. Өнімнің жұмыс және қоршаған орта жағдайларына байланысты бұл мәндер басқаша болуы мүмкін.

### 3 Орнату

Өнімді орнату үшін ең жақын өкілетті қызмет көрсету агентіне хабарласыңыз. Өнімді пайдалануға дайындау үшін өкілетті қызмет көрсету агентіне қоңырау шалу алдында электр орнатымдар орнында екенін тексеріңіз. Олай болмаса, тиісті реттеулерді жасау үшін білікті электрикке және орнатқышқа қоңырау шалыңыз.

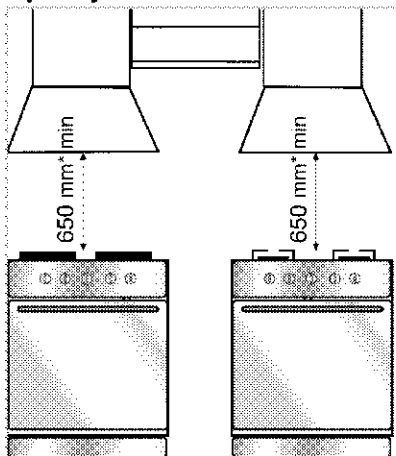
**i** Өнім үшін орынды және электр орнатымды дайындау тұтынушының жауапкершілігі болып табылады.

**!** Өнімді барлық жергілікті электр туралы ережелерге сай орнату керек.

**!** Орнату алдында өнімде ақаулар жоқ екенін қарап тексеріңіз. Бар болса, оны орнатпаңыз. Зақымдалған өнімдер қауіпсіздік үшін қауіптер төндіреді.

**!** Ескерту: Бұрандалар мен бекіту құралдарын нұсқауларына сәйкес орнатпау электр зақымдалуына әкелуі мүмкін.

#### Орнату



\* МИН.

Пісіру тақтасының үстіңгі беті мен қақпақтың астыңғы беті арасында 650 мм минималды аралық сақтау керек. Қақпақ арқылы шығарылатын ауа газ немесе басқа отын түрлері пайдаланылатын басқа қолданыстар түтіндігіне қосылмауы керек. (Бұл ауаны кері бөлмеге үрлейтін құрылғыларға ғана қолданылмайды) Ауа шығысы бойынша реттеулер сақталуы керек.

#### Электр қосылым

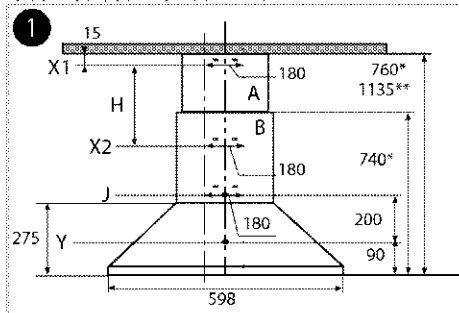
2 тармақты қуат кабелімен бірге жасалған бұл құрылғыны желіге қос полюсті түйіспелі сымдар арасында кемінде 3 мм аралығы бар электр қосқышы арқылы жалғау керек. Электр қосылымдарын білік электр маманы орындауы керек.

- Құрылғыны орнатудан кейін қуат қосылымына (тығын, розетка) оңай қол жеткізетіндей жолмен орнатыңыз.

#### Қақпақты орнату

**i** Өлшемдер мм бірлігінде берілген.

Келесі бөлім қақпақ орнату орнын дайындауға қажет ақпаратты береді. Қақпақты әзірлеу құрылғысының орталық осінен жоғары орнату керек. Пісіру тақтасының үстіңгі беті мен қақпақтың астыңғы беті арасында 650 мм минималды аралық сақтау керек. Қақпақты орнату үшін келесі қадамдарды қолданыңыз.

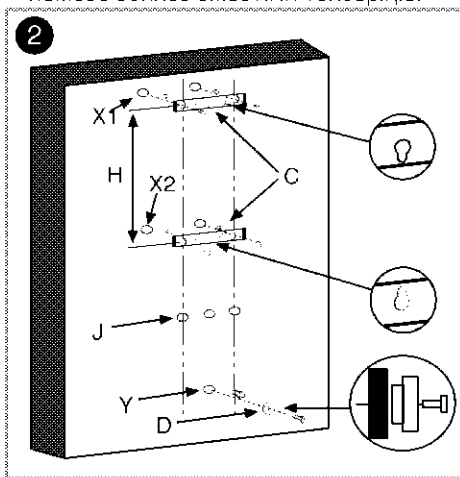


\* МИН.

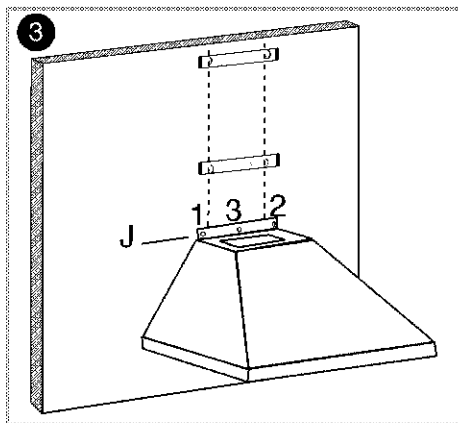
\*\* макс.

1. Әзірлеу құрылғысын ортаға келтіріп, қабырғада биіктігі 950 мм-ге дейін ось сызығын салыңыз. Содан кейін төбеге жеткенше осьтің екі жағында 90 мм қашықтықта екі параллель сызықты салыңыз. Содан кейін ось сызығын тігінен кесіп өтетін Y-J-X2 және X1 сызықтарын (олардың өлшемдері 1-суретте берілген) салу арқылы тесік орындарын анықтаңыз.

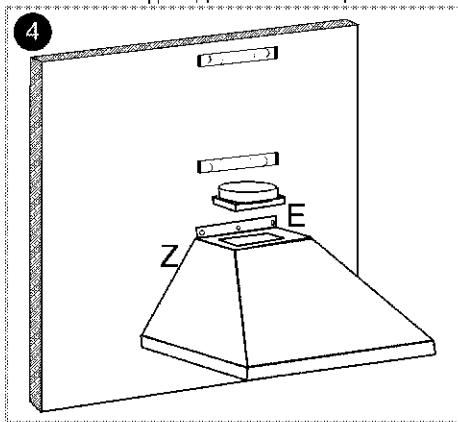
2. X, Y, X2, X1 нүктелерінде сегіз 8 мм-лік тесік бұрғылаңыз және орамамен бірге қамтамасыз етілген пластик ашаларды орналастырыңыз. Түтіндік қосқыштарының тесіктеріне сәйкес немесе сәйкес еместігін тексеріңіз.



3. 2-суретте көрсетілгендей қосалқы құралдармен бірге қамтамасыз етілген екі бекіту бұрандасы арқылы X1 және X2 тесіктеріне қосқыштарды (C) бекітіңіз. Шағын диаметрін қабырғаға қаратып қашықтық сақинасын (D) Y тесігіне бұраңыз.



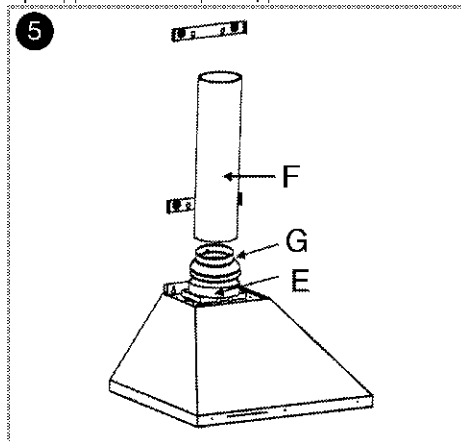
4. Қақпақты артқы тақтадағы кілт тесігінен қашықтық сақинасына орнатыңыз және бекітілгенін тексеру үшін төмен қарай тартыңыз. Содан кейін корпуссты қабырғаға корпусстың жоғарғы артқы жағындағы J1 және J2 тесіктерінен бұрандалармен бекітіңіз. Қақпақтың кез келген себеппен кездейсоқ құлауын болдырмау үшін сондай-ақ, 3-суретте көрсетілген J3 тесігінен бұрандамен бекітіңіз.



5. 4-суретте көрсетілгендей түтіндіктің шығыс фланецін (E) қақпақтың жоғарғы бөлігіндегі төртбұрышты шығысқа орналастырыңыз; сөйтіп қосалқы құралдармен бірге қамтамасыз етілген 2,9 мм бұрандаларды пайдаланып фланецті корпусқа бекітіңіз.

6. Түтіндік қосылымын пайдалану үшін:

Түтіндік қосылған күйде сіңірілген ауа май сүзгілері арқылы шығысқа өтеді, содан кейін қосылым құбырлары арқылы түтіндікке жетіп, соңында түтіндіктен шығарылады.



Осы қосылым күйін пайдаланғанда 5-суретте көрсетілгендей түтіндіктің шығыс фланецінде 150 мм - 120 мм Е қосқышын орнату керек.

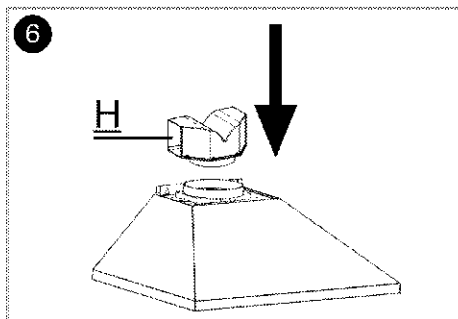
Түтіндікті жалғау құбырлары отқа төзімді пластик материалдан жасалуы керек. Икемді қосылым түрін пайдаланғанда үшкір бұрыштар және кенет қысылулар ауаны соруға теріс әсер ететінін ескеру керек.

Қақпақ басқа құрылғы әлдеқашан қосылған түтіндікке ешқашан қосылмауы қажет.

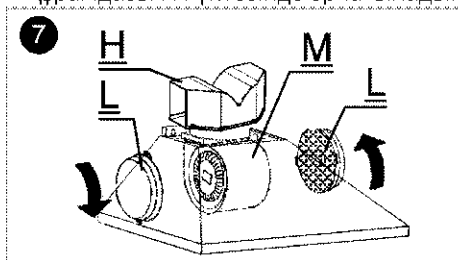
**i** Қосылым құбыры 120-150 мм-ден үлкенірек болмауы керек; болмаса, дұрыс түтіндік қосылымына кедергі келтіреді.

### 7. Ішкі айналым (көмір сүзгісімен бірге пайдалану)

Ішкі циркуляция орнында қоршаған ортадан сіңген ауа май және көмір сүзгілерінен өтіп, түтіні жойылып, ауа бағыттау құрамдасына өтеді. Кейінірек түтіндіктегі торлар арқылы қоршаған ортаға кері қайтарылады.



6-суретте көрсетілгендей ауа бағыттау құрамдасы H нүктесінде орнатылады.



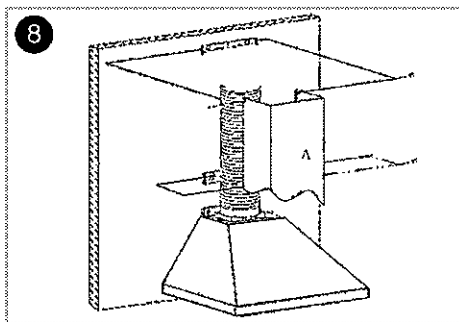
Көмір сүзгілерінің құлақ слоттарын (L) қозғалтқыш ұстағыштағы құлақтарға (M) 7-суретте көрсетілгендей орналастырып, орнында бекіту үшін сағат тіліне кері бұрыңыз. Екінші жақтағы қозғалтқыш ұстағышына дәл осы процедураны қолданыңыз.

**i** Май сүзгілерін жүйелі тазаламау және қызмет көрсетпеу және көмір сүзгілерін қызмет мерзімі соңында (шамамен 4 ай) ауыстырмау өрт қаупін тудыруы мүмкін.

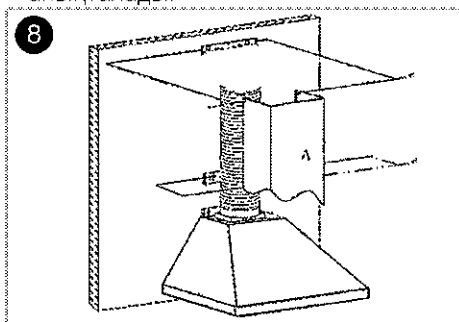
### 8. Түтіндікті орнату

А жоғарғы түтіндігін орнату үшін төменде көрсетілгендей (C) қосылымында түтіндіктің жоғарғы бұрыштарын бекітіңіз және оны қосқышқа 2,9 мм бұрандалармен бекітіңіз.





X1 және X2 тесіктерінің арасындағы қашықтық орнату процесінің барысында жоғарғы түтіндікті пайдалану ұзындығына байланысты анықталады.



В төменгі түтіндігін орнату үшін екі жағынан аздап тарту арқылы түтіндікті созыңыз және оны жоғарыдағы суретте көрсетілгендей жоғарғы түтіндік слоттарына бекітіңіз.

### Қақпақты екі жолмен пайдалана аласыз:

#### 1-Түтіндік жалғанған күйде пайдалану

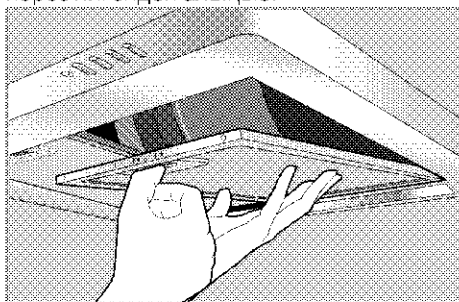
Бу қақпақтағы қосылым сақинасына бекітілетін түтіндік құбыры арқылы шығарылады. Түтіндік құбырының диаметрі қосылым сақинасына тең болуы керек. Ауаның көлденең түрде бөлмеден оңай шығуына мүмкіндік беру үшін құбырды аздап жоғары қарай еңкейту керек (шамамен 10°).

**i** Егер көмір сүзгісі қақпаққа орнатылса, қақпақты түтіндікпен пайдалану кезінде оны алыңыз.

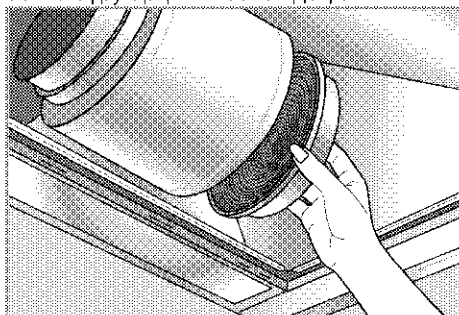
#### 2- Түтіндік жалғанбаған күйде пайдалану

Ауа көмір сүзгісінен сүзіліп, бөлмеге қайтарылады. Үйде түтіндік жоқ болса немесе түтіндік құбырын орнату мүмкін болмаса, көмір сүзгісі пайдаланылады.

- Алюминий сүзгілерді төменде көрсетілгендей алыңыз.



- Көмір сүзгісін орнату үшін желдеткіш корпусының екі жағындағы пластик бөлшектері үстінде сүзгіні ортаға келтіріп, сүзгіні ілмектерге бекітіңіз.
- Оны суретте көрсетілгендей оңға және солға бұру арқылы бекемдеңіз.



- Алюминий сүзгілерді қайта орнатыңыз.

### Болашақта тасымалдау

- Өнімнің бастапқы қорабын сақтаңыз және өнімді соның ішінде тасымалдаңыз. Қораптағы нұсқауларды орындаңыз. Егер сізде бастапқы қорап болмаса, өнімді көпіршікті пакетке немесе қалың картон қорапқа ораңыз және лентамен бекітіңіз.

**i** Өнімге заттар қоймаңыз және оны тік күйге жылжытпаңыз.

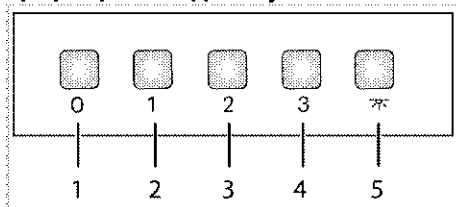
**i** Өнімнің сыртқы түрінде тасымалдау кезінде орын алған болуы мүмкін зақымдар бар-жоғын тексеріңіз.

## 4 Қақпақты пайдалану

Қақпақ әр түрлі жылдамдық параметрлері бар қозғалтқышпен жабдықталған.

Жақсырақ өнімділік үшін қалыпты жағдайларда төмен жылдамдықтарды және иіс және булар көбейгенде жоғары жылдамдықтарды пайдалану ұсынылады.

### Қақпақты пайдалану



- 1 Өшіру түймесі
- 2 Жылдамдық1
- 3 Жылдамдық2
- 4 Жылдамдық3
- 5 Шам түймесі

1. Қақпақты пайдалану жылдамдығын алу үшін тиісті түймені басыңыз.

**i** Ешқашан бір уақытта екі түймені баспаңыз. Бассаңыз, жоғарырақ жылдамдық белсендіріледі.

### Қақпақты өшіру

1. Қақпақ белгілі бір жылдамдықта жұмыс істеп жатқанда өшіру түймесін басыңыз.

### Шамды пайдалану

1. Шамды пайдалану үшін шам түймесін басыңыз.

### Шамды өшіру

1. Шамды өшіру үшін шам түймесін қайта басыңыз.

**i** Өшіру түймесі шамды өшірмейді, ол тек қақпақ жұмысын тоқтатады.

## 5 Күту мен техникалық қызмет көрсету

### General information

Service life of the product will extend and frequent problems will decrease if the product is cleaned at regular intervals.

**!** Disconnect the product from mains supply before starting maintenance and cleaning works.

There is the risk of electric shock!

- Clean the product thoroughly after each use. In this way it will be possible to remove cooking residues more easily, thus avoiding these from burning the next time the appliance is used.
- No special cleaning agents are required for cleaning the product. Use warm water with washing liquid, a soft cloth or sponge to clean the product and wipe it with a dry cloth.
- Do not use cleaning agents that contain acid or chloride to clean the stainless or inox surfaces and the handle. Use a soft cloth with a liquid detergent (not abrasive) to wipe those parts clean, paying attention to sweep in one direction.

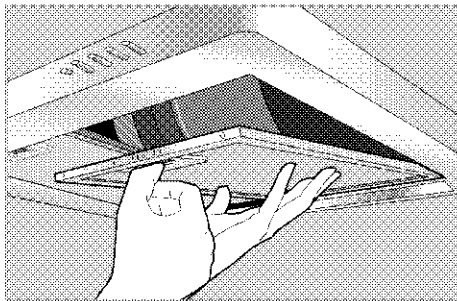
**i** The surface might get damaged by some detergents or cleaning materials.

Do not use aggressive detergents, cleaning powders/creams or any sharp objects during cleaning.

**i** Do not use steam cleaners for cleaning.

### Aluminum filter

This filter captures oil particles in the air. You are recommended to clean your filter once a month in normal use. Please firstly remove aluminum filters for this process. Wash the filters in liquid-detergent water and install them after drying. Aluminum filters might change colour in time due to washing. This is normal and you don't need to replace the filter.



**i** You can also wash aluminum filters in dishwasher.

### Removing aluminum filters

1. Push aluminum filter lock forward.
2. Slightly lower the filter and pull forth. Otherwise, you may bend the filter.
3. After washing, reverse the steps above to re-install the aluminum filter.

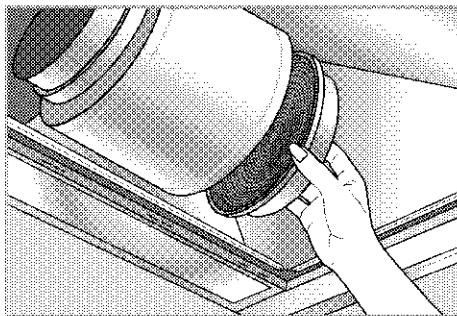
### Carbon filter (Use without chimney)

**i** Carbon filter should never be washed.

It should be replaced once every 4 months in normal use. You may obtain carbon filters from the Authorised Service.

### Removing carbon filters

1. Remove aluminum filters
2. To remove carbon filter, turn it to release from the tab.



3. Install the new carbon filter.
4. Re-install aluminum filters.

**i** You may cause fire if you do not observe the rules regarding the cleaning and replacing hood filters.

## Шамды ауыстыру

**i** Бұл өнімдегі сорғыш шамды пайдаланушы өзгерте алады.

**!** Шамды ауыстыру алдында ток соғу қаупін болдырмау үшін өнімді желіден ажыратыңыз. Ыстық болса, шамды суытыңыз. Ыстық беттер күйіктерге әкелуі мүмкін!

**i** Шамның техникалық сипаттамаларын *Техникалық сипаттамалары*, Бет 11 бөлімінен қараңыз. Духовка шамдарын өкілетті сервис агенттерінен алуға болады.

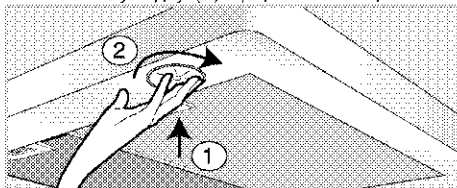
**i** Шамның орны суреттен басқаша болуы мүмкін.

**i** Осы құрылғыда пайдаланылатын шам үй бөлмесін жарықтандыруға үйлесімсіз. Осы шамның арнайы мақсаты пайдаланушының тағам түрлерін көруіне көмектесу.



Тек өздігінен қорғалған вольфрам-галогенді шамдарды немесе өздігінен қорғалған металл-галогенді шамдарды пайдаланыңыз.

1. Шамды орнына сағат тілі бағытында басу (1), содан кейін сағат тіліне кері бағыттау бұру (2) арқылы алыңыз.



2. Жаңа шамды сағат тілі бағытында бұру арқылы салыңыз.
3. Шам орнында бекітілгенде «шырт» еткен дыбыс шығады.

## 6 Ақаулықтарды жою

### Өнім жұмыс істемейді.

- Желілік сақтандырғыш ақаулы немесе іске қосылды. >>> Сақтандырғыштар қорабындағы сақтандырғыштарды тексеріңіз. Қажет болса, оларды ауыстырыңыз немесе ысырыңыз.
- Өнім розеткаға қосылмаған. >>> Аша қосылымын тексеріңіз.
- Жылдамдық түймесі орнатылмаған болуы мүмкін >>> Қажет жылдамдық түймесін басыңыз.
- Қуат үзілді. >>> Қуат бар екенін тексеріңіз. Сақтандырғыштар қорабындағы сақтандырғыштарды тексеріңіз. Қажет болса, сақтандырғыштарды ауыстырыңыз немесе ысырыңыз.

### Қақпақ шамы жұмыс істемейді.

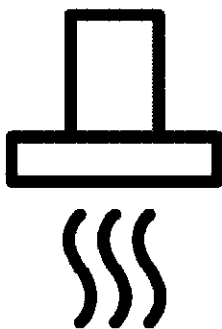
- Қақпақ шамы ақаулы. >>> Қақпақ шамын ауыстырыңыз.
- Қуат үзілді. >>> Қуат бар екенін тексеріңіз. Сақтандырғыштар қорабындағы сақтандырғыштарды тексеріңіз. Қажет болса, сақтандырғыштарды ауыстырыңыз немесе ысырыңыз.

**i** Осы бөлімдегі нұсқауларды орындағанмен мәселені шеше алмасаңыз, өкілетті сервис агентіне немесе өнімді сатқан дилерге хабарласыңыз. Ешқашан ақаулы өнімді өз бетіңізше жөндеуге әрекеттенбеңіз.





**Hota**  
Manual de utilizare



RO



## Vă rugăm să citiți mai întâi manualul de utilizare!

Stimate client,

Vă mulțumim pentru că ați ales un produs Beko. Sperăm să obțineți cele mai bune rezultate de pe urma folosirii produsului nostru care a fost fabricat utilizând o calitate superioară și o tehnologie modernă. Prin urmare, vă rugăm să citiți cu atenție întregul manual de utilizare și documentele însoțitoare ale acestuia înainte de utilizarea produsului și să le păstrați pentru consultări ulterioare. În cazul în care predați produsul altcuiva, predați și manualul de utilizare. Respectați toate avertizările și informațiile din manualul de utilizare.

Rețineți că manualul de utilizare se aplică și pentru alte modele. Diferențele dintre modele vor fi identificate în manual.

### Explicația simbolurilor

În manualul de utilizare sunt utilizate următoarele simboluri:



Informații importante sau recomandări utile cu privire la utilizare.



Avertisment de situații periculoase cu privire la viață și proprietate.



Avertisment de șoc electric



Avertisment de risc de incendiu.



Avertisment de suprafețe fierbinți.



**Arçelik A.Ş.**  
Karaağaç caddesi No:2-6  
34445 Sütlüce/Istanbul/TURKEY  
Made in TURKEY



**1 Instrucțiuni importante și  
avertismente privind siguranța  
și mediul înconjurător 4**

Siguranța generală.....	4
Siguranța electrică.....	5
Siguranța produsului.....	6
Domeniu de utilizare.....	8
Siguranța copiilor.....	8
Depozitarea la deșeurii a produsului vechi.....	8
Depozitarea la deșeurii a materialelor de ambalare.....	8

**2 Informații generale 9**

Prezentare generală.....	9
Scopul livrării.....	10

Specificații tehnice.....	10
---------------------------	----

**3 Montarea 11**

Instalare.....	11
Transportul ulterior.....	14

**4 Funcționarea hotei 15****5 Întreținere și curățare 16**

General information.....	16
Înlocuirea lămpii.....	17

**6 Remedierea problemelor 18**

## **I Instrucțiuni importante și avertismente privind siguranța și mediul înconjurător**

Această secțiune conține informații cu privire la siguranța care vă vor ajuta să vă protejați împotriva riscului de vătămare corporală sau pagube materiale.

Nerespectarea acestor instrucțiuni va duce la anularea oricărei garanții.

### **Siguranța generală**

- Acest produs poate fi utilizat de către copii cu vârsta peste 8 ani sau mai mari și persoane cu capacități fizice, senzoriale sau mentale reduse sau lipsă de experiență și cunoștințe, dacă sunt supravegheați sau instruiți cu privire la utilizarea produsului într-o manieră sigură și înțeleg pericolele implicate.

Acest produs nu este destinat pentru jocul copiilor. Curățarea și întreținerea nu vor fi efectuate de către copii fără supraveghere.

- **Risc de intoxicare!** În timp ce aparatul funcționează, aerul din întreaga casă este admis. Dacă o ventilație adecvată nu este furnizată, gazele arse și cele toxice ce

sunt eliberate ca rezultat a fenomenului de ardere vor fi emise în casă prin intermediul curentului de aer a coșului de fum: Aparatul nu trebuie să funcționeze împreună cu sursele care emit gaze toxice și crează curent de aer (sobe pe lemn, gaz, petrol lampant și cărbune, boilere de apă, boilere, etc)

- Întotdeauna aveți nevoie de persoane autorizate pentru a verifica capacitatea de evacuare și curentul de aer al coșului de fum în clădirea dumneavoastră.
- Acest aparat nu este destinat utilizării de către persoane (inclusiv copii) cu capacități fizice, senzoriale sau mentale reduse, sau lipsă de experiență și cunoștințe necesare, exceptând cazul în care sunt supravegheați sau instruiți cu .

Copiii trebuie să fie supravegheați pentru a se asigura că aceștia nu se joacă cu produsul. Procedurile de curățare și întreținere nu trebuie să fie efectuate de către copii doar

dacă aceștia sunt supravegheați.

- Procedurile de montare și reparare trebuie să fie întotdeauna efectuate de către un **agent de service autorizat**. Producătorul nu își asumă răspunderea pentru daunele produse în urma efectuării procedurilor de către persoane neautorizate.
- Nu folosiți produsul dacă este defect sau prezintă defecte vizibile.
- Asigurați-vă că opriți produsul după fiecare utilizare.
- Dacă produsul este înmânat către altcineva pentru uz personal sau în scopuri de utilizare second-hand, manualul de utilizare, etichetele produsului, documente importante și componente trebuie de asemenea înmanate împreună cu acesta.
- Produsul trebuie instalat de o persoană calificată, conform reglementărilor în vigoare. În caz contrar, garanția va fi anulată.

### **Siguranța electrică**

- Pentru ca produsul să fie pregătit pentru utilizare, mai întâi dumneavoastră trebuie

să aveți spațiul de montaj și instalația electrică pregătită. Mai târziu, puteți apela la cel mai apropiat service autorizat.

- Dacă produsul prezintă o defecțiune, acesta nu trebuie folosit fără a fi reparat de către un agent service autorizat. Există pericolul de electrocutare!
- Nu conectați hota înainte ca montajul să fie finalizat.
- Nu atingeți niciodată ștecherul cu mâinile ude! Nu scoateți din priză prin tragerea de cablu; întotdeauna apucați ștecherul pentru a scoate din priză.
- Produsul trebuie deconectat de la rețeaua de electricitate în timpul procedurilor de montare, întreținere, curățare și reparare.
- Dacă cablul de alimentare este avariât, acesta trebuie înlocuit de către producător sau de către agentul său de service sau de către o persoană cu calificări similare pentru evitarea pericolele.
- Dacă produsul dvs. a fost produs cu mufă, nu tăiați mufa pentru a vă conecta la sursa electrică în timpul

instalării. În caz contrar, garanția devine nulă și riscurile de siguranță pot apărea pentru utilizatori.

- Nu conectați niciodată cablul de alimentare în apropierea hotei. Dacă este ars, cablul poate cauza un incendiu.
- Lucrările la echipamentele și rețelele electrice pot fi efectuate numai de persoane calificate autorizate.
- În cazul unei defecțiuni, opriți produsul și deconectați-l de la rețeaua de electricitate. Pentru a face acest lucru, decuplați siguranța de la panoul electric.
- Asigurați-vă că siguranța are capacitatea adecvată pentru acest produs.
- Nu spălați niciodată produsul cu apă! Există pericolul de electrocutare!

### **Siguranța produsului**

- Înălțimea între suprafața inferioară a hotei și suprafața superioară a acesteia nu trebuie să fie mai mică de 650 mm.
- Nu atingeți niciodată lampa hotei după ce a funcționat pentru o lungă perioadă de timp. Lămpile fierbinți vă pot arde mâinile.

- Nu operați niciodată produsul fără filtru de ulei. Nu scoateți filtrele în momentul când produsul este în utilizare.
- Evitați flăcările mare sub produs. Astfel, particulele din filtrul de ulei se pot aprinde și pot declanșa un incendiu.
- Deschideți ochiul după ce ați plasat tigăile și oalele. Astfel, temperatura care se ridică poate deforma componente specifice ale produsului dumneavoastră.
- Închideți ochiul înainte de luarea tigăilor și oalelor.
- Evitați materialele inflamabile de sub hotă.
- Nu expuneți produsul la flăcări deschise sub acesta. Uleiul acumulat în filtrul poate declanșa un incendiu. Nu operați produsul fără filtru.
- Nu lăsați cuptorul nesupravegheat în momentul când încălziți mâncare, uleiul se poate aprinde iar acesta poate declanșa un incendiu. Astfel, fiți atenți cu materialele textile și perdelele.
- Dacă hota nu este curățată periodic și în totalitate, acesta poate cauza un risc de ardere.

- Pentru reîmprospătarea aerului din bucătărie după mirosurile și aburii de mâncare, vă rugăm să deschideți hota timp de 15 minute după ce prepararea mâncării s-a finalizat.
- Atunci când hota este utilizată în același timp cu alte produse ce funcționează pe gaz sau alți combustibili, camera trebuie să fie ventilată corespunzător. (Nu se aplică produselor care elimină aerul înapoi în cameră).
- În mediul înconjurător unde hota este utilizată, gazele de la dispozitivele pe gaz sau pe țigete cum ar fi caloriferele de cameră trebuie să fie izolate sau dispozitivul trebuie să fie de tip ermetic.
- Dacă există un dispozitiv pe țigete sau pe gaz în mediul înconjurător, camera trebuie să fie ventilată suficient.
- În momentul când un dispozitiv non-electric este utilizat în împreună cu cuptorul, presiunea negativă din cameră trebuie să fie de maxim 0,04 mbar pentru a evita reîntoarcerea fumului celui de-al doilea dispozitiv în cameră.
- Nu conectați niciodată hota la coșuri de fum care sunt utilizate pentru radiatoare, gaze de evacuare sau cu flacăra deschisă. Examinați regulile autorităților cu privire la evacuarea aerului.
- În momentul când conectați la coșul de fum, utilizați conducte cu un diametru de 120 mm. Conexiunea conductei trebuie să fie cât mai mică cu putință și cu mai puține coturi.
- Nu atârnați materiale ușor inflamabile și combustibile pe mânerurile hotei.
- Compania noastră nu va fi responsabilă pentru problemele care se ivesc de la utilizarea împotriva avertismentelor precizate mai sus.
- Dacă curățarea nu este făcută conform instrucțiunilor, există riscul unui incendiu.
- Nu ar trebui să existe foc deschis sub capotă. (exemplu: flambați)
- Atenție: Atunci când utilizați un produs de gătit, componentele accesibile se pot înfierbânta.
- Sunteți recomandat să curățați filtrul odată pe lună pentru o utilizare normală.

## Domeniu de utilizare

Acest produs este destinat uzului casnic. Utilizarea comercială este interzisă. Producătorul nu este responsabil pentru pagubele provocate de utilizarea sau manipularea incorectă.

## Siguranța copiilor

- Nu lăsați copiii să se apropie de produs în timp ce funcționează și nu îi lăsați să se joace cu acesta.
- Materialele de ambalare sunt periculoase pentru copii. Mențineți materialele de ambalare într-un loc departe de copii, sortați-le și eliminați-le conform directivelor privind eliminarea deșeurilor.
- Produsele electrice sunt periculoase pentru copii. Nu lăsați copiii să se apropie de produs în timp ce funcționează și nu îi lăsați să se joace cu acesta.

## Depozitarea la deșeurii a produsului vechi

**Conformitate cu Directiva WEEE și depozitarea la deșeurii a produsului uzat:**



Acest produs respectă Directiva UE WEEE (2012/19/UE). Produsul este marcat cu un simbol de clasificare pentru deșeurii electrice și electronice (WEEE).

Acest produs a fost fabricat folosind piese și materiale de înaltă calitate, care pot fi refolosite și reciclate. Nu depozitați produsul uzat împreună cu gunoiul menajer la sfârșitul duratei sale de funcționare. Duceți-l la un centru de colectare pentru reciclarea echipamentelor electrice și electronice. Luați legătura cu autoritățile locale pentru a afla informații despre aceste centre de colectare.

## Conformitate cu Directiva RoHS:

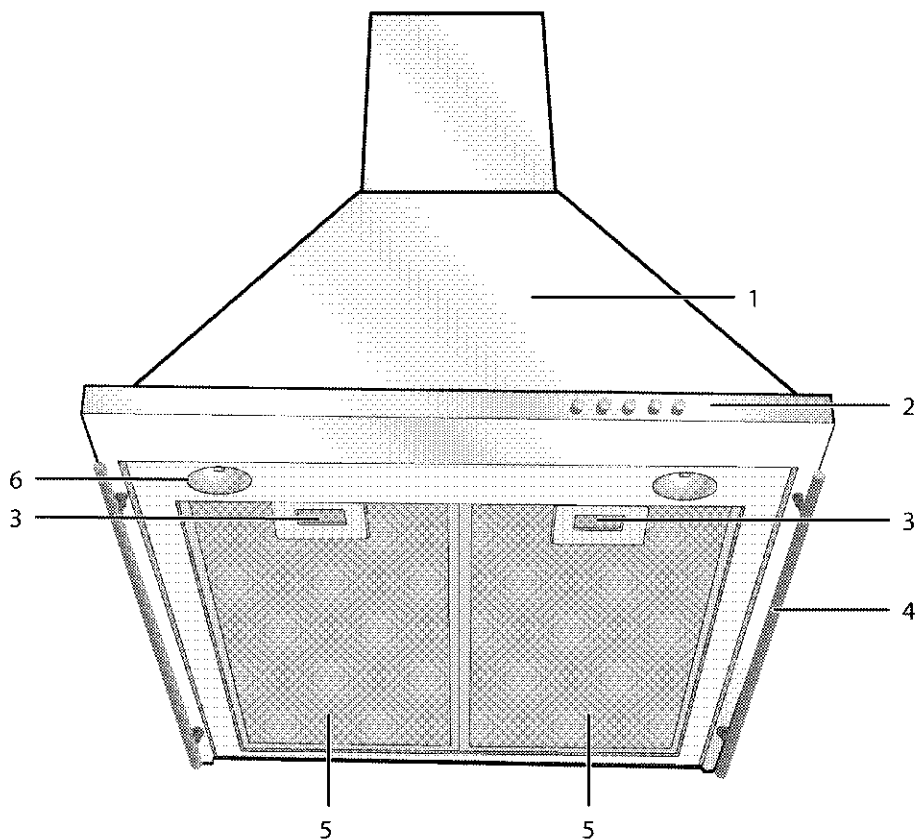
Produsul pe care l-ați achiziționat respectă Directiva UE RoHS (2011/65/UE). Nu conține materiale dăunătoare și interzise specificate în Directivă.

## Depozitarea la deșeurii a materialelor de ambalare

- Materialele de ambalare sunt periculoase pentru copii. Păstrați materialele de ambalare într-un loc sigur, la care copiii nu au acces. Materialele de ambalare ale produsului sunt fabricate din materiale reciclabile. Sortați-le și depozitați-le la deșeurii în mod corect. Nu le depozitați împreună cu gunoiul menajer.

## 2 Informații generale

### Prezentare generală



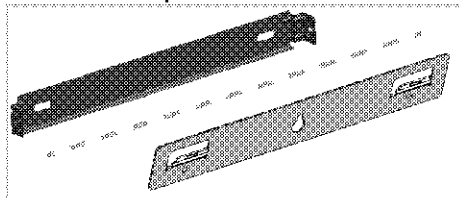
- 1 Corp hotă
- 2 Panou de comandă
- 3 Blocare filtru de aluminiu
- 4 Mâner
- 5 Filtru de aluminiu
- 6 Lampă

## Scopul livrării

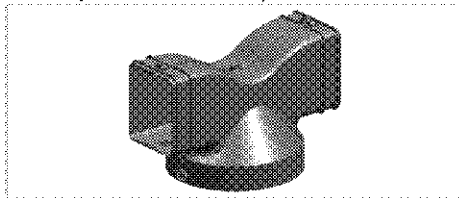
**i** Accesoriile furnizate pot varia în funcție de modelul produsului. Este posibil ca unele accesorii descrise în manualul de utilizare să nu fie furnizate cu produsul dvs.

1. Manual de utilizare

2. Conector de perete



3. Componentă de direcționare a aerului



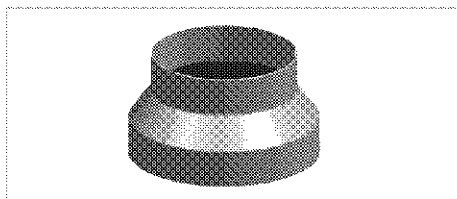
4. Adaptor conexiune coș de fum

## Specificații tehnice

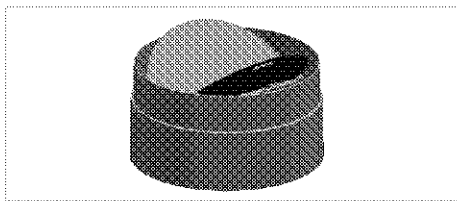
Dimensiuni externe (înălțime/lățime/adâncime)	min.740 mm max. 1135 mm/598 mm/502 mm
Tensiune/frecvență	220-240 V ; 50 Hz
Control	3 nivel
Putere absorbită	415 m <sup>3</sup> /h
Consum putere totală	max. 170 W
Diametru conductă evacuare aer	120-150 mm
<b>LAMPĂ</b>	
Tip lampă	Led
Consum putere lampă	3 W
Puterea max. a unei lămpi de înlocuire potențiale	max.2 x 4 W.Led /max.2 x 28 W.Halogen
Tensiune/frecvență lampă	230 V~; 50/60 Hz
Tip capac lampă	GU10
Diametru/lungime lampă	50 mm /55 mm

**i** Specificațiile tehnice se pot modifica fără preaviz în scopul îmbunătățirii calității produsului.

**i** Ilustrațiile din acest manual au rol explicativ și pot să nu se potrivească cu produsul dumneavoastră.



5. Supape pentru prevenirea debitului reversibil de aer



**i** Valorile declarate în inscripțiile de pe aparat sau în alte documente tipărite furnizate cu aparatul sunt obținute în condiții de laborator, conform standardelor în vigoare. Aceste valori pot varia în funcție de condițiile de utilizare și de mediu.



### 3 Montarea

Apelați la un agent de service autorizat pentru montarea produsului. Asigurați-vă că instalația electrică este pregătită înainte de solicitarea montării produsului de către agentul de service autorizat. În caz contrar, apelați la un electrician sau instalator calificat pentru a face pregătirile necesare.

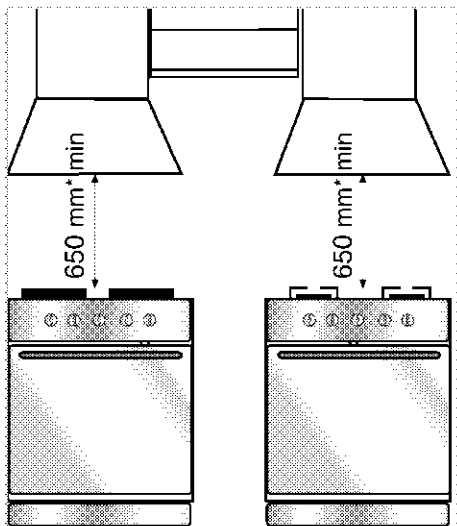
**i** Pregătirea locației și a instalației electrice pentru produs constituie responsabilitatea clientului.

**!** Produsul trebuie montat în conformitate cu toate reglementările locale privind instalațiile electrice.

**!** Înainte de montaj, verificați vizual dacă produsul nu este avariât. Dacă este avariât, nu îl instalați. Produsele avariate cauzează riscuri pentru siguranța dumneavoastră.

**!** Avertisment: Nerespectarea montării șuruburilor sau a dispozitivului de fixare conform instrucțiunilor poate cauza pericole electrice.

#### Instalare



\* min.

Trebuie să existe o distanță de minimum 650 mm între suprafața superioară a plitei și suprafața inferioară a hotei.

Aerul ce urmează a fi evacuat prin hotă nu trebuie conectat la un horn utilizat de alte aparate casnice ce utilizează gaze sau alți combustibili. (Nu se aplică produselor care elimină aerul înapoi în cameră) Trebuie respectate reglementările cu privire la evacuarea aerului.

#### Racordul electric

Fabricat cu un cablu de alimentare bifilar, acest dispozitiv trebuie să fie conectat la priza principală printr-un comutator electric cu cel puțin 3 mm spațiu între conductoarele bipolare. Racordarea la rețeaua electrică trebuie efectuată de către un electrician calificat.

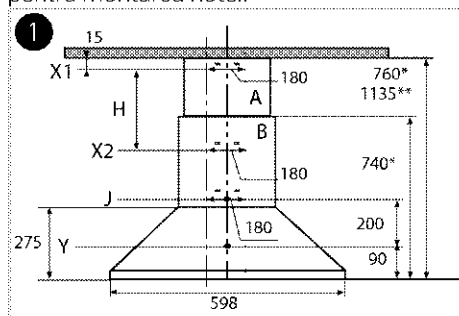
- Instalați aparatul astfel încât după instalare să puteți ajunge cu ușurință la conexiunea de alimentare (fișă, priză).

#### Montarea hotei

**i** Toate dimensiunile sunt în mm.

Mai jos veți găsi informațiile necesare pentru amenajarea locației în vederea instalării hotei.

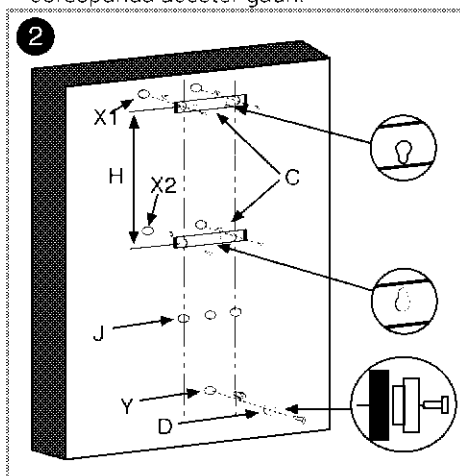
Hota trebuie să fie aliniată cu axa centrală a dispozitivului de gătit. Trebuie să existe o distanță de minimum 650 mm între suprafața superioară a plitei și suprafața inferioară a hotei. Parcurgeți următorii pași pentru montarea hotei.



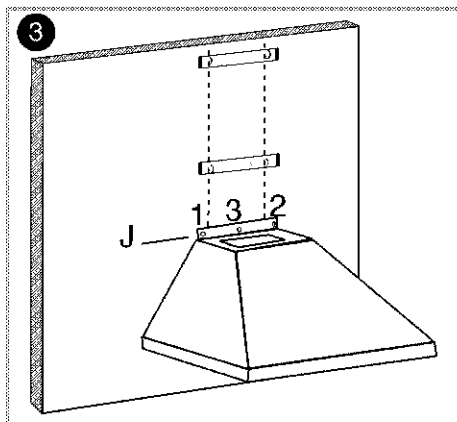
\* min.

\*\* max.

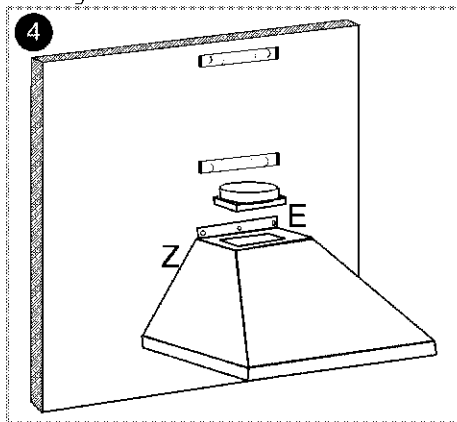
1. Centrat pe dispozitivul de gătire, desenați pe perete o axă până la o înălțime de 950 mm. Apoi desenați două linii paralele la o distanță de 90 mm pe ambele părți ale axei ce ajunge la tavan. Apoi, determinați locațiile găurilor prin desenarea liniilor Y-J-X2 și X1 ce taie vertical axa, pentru care măsurătorile sunt date în Figura 1.
2. Realizați opt găuri cu un diametru de 8 mm în punctele X, Y, X2, X1 și plasați capacele de plastic furnizate cu ambalajul. Verificați racordurile la horn să corespundă acestor găuri.



3. Așa cum este prezentat în Figura 2, fixați conectorii (C) în găurile X1 și X2 prin intermediul a două șuruburi de fixare furnizate cu accesoriile. Înșurubați inelul distanțier (D) în gaura Y cu partea cu diametrul cel mai mic spre perete.



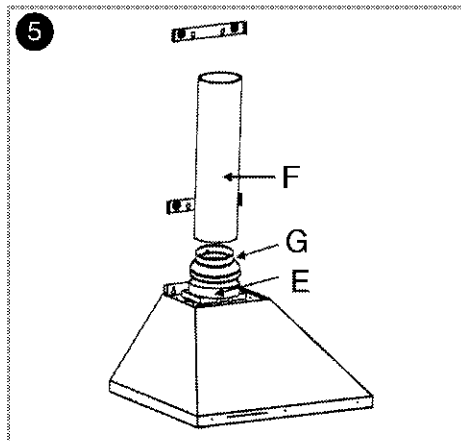
4. Montați hota de la gaura cheie de pe placa din spate pe inelul distanțier și trageți în jos pentru a vă asigura că este fixată. Apoi, fixați cu șuruburi corpul în perete folosind găurile J1 și J2 pe partea superioară a corpului. Pentru evitarea căderii accidentale a hotei, fixați-o cu încă un șurub utilizând și gaura J3 prezentată în Figura 3.



5. Așa cum este prezentat în Figura 4, amplasați flanșa de evacuare a coșului de fum (E) pe flanșa dreptunghiulară pe partea superioară a hotei, și fixați flanșa de corpul hotei utilizând șuruburi cu dimensiunea de 2,9 mm furnizate cu accesoriile.

6. **Pentru utilizarea racordului hornului:**  
În poziția conectată la horn, aerul absorbit va trece prin filtrele de ulei către evacuare și apoi va ajunge la horn prin intermediul

conductelor de racord și în final va fi eliminat din horn.



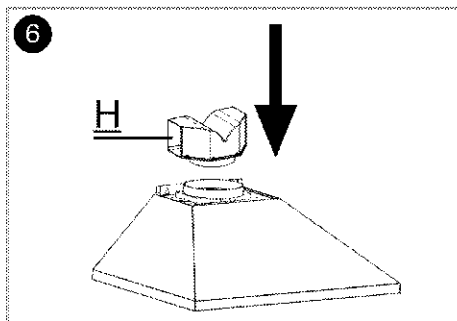
Dacă utilizați această poziție de racordare, conectorul E cu un diametru de 150 mm / 120 mm trebuie să fie montat pe flanșa de evacuare a coșului de fum așa cum este prezentat în Figura 5.

Conductele de racordare a coșului de fum trebuie să fie confecționate dintr-un material plastic ignifug. Dacă folosiți racordul de tip flexibil, rețineți că schimbările bruște de direcție și deschidere vor avea un impact negativ asupra admisiei aerului. Hota nu trebuie să fie niciodată conectată la un horn la care este deja conectat un alt dispozitiv.

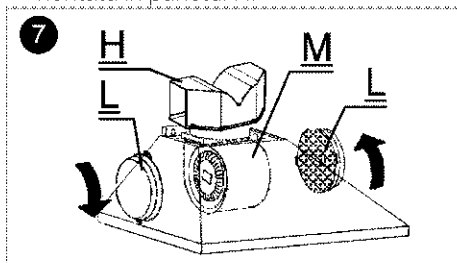
- i** Conducta de racord nu trebuie să aibă un diametru mai mare de 120-150 mm, în caz contrar racordul nu se va putea realiza.

### 7. Circulația internă (Utilizare cu filtrul de carbon)

Pe poziția circulație internă, aerul absorbit trece prin filtrele de ulei și filtrele de carbon, unde se elimină mirosul, apoi trece prin elementul de direcționare a aerului. Apoi este eliminat în mediu prin grila hornului.



Așa cum este prezentat în Figura 6, componenta de direcționare a aerului este montată în punctul H.

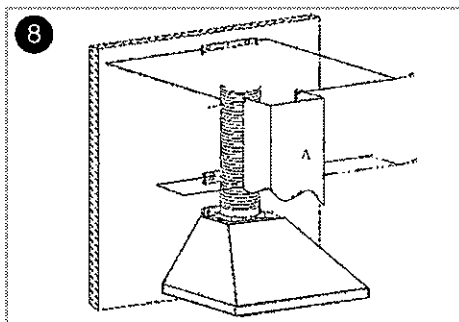


Plasați urechile filtrului de carbon (L) în urechile hotei (M) așa cum este prezentat în Figura 7 și rotiți invers acelor de ceas pentru a fixa. Aplicați aceeași procedură pentru piesa de susținere a motorului de pe cealaltă parte.

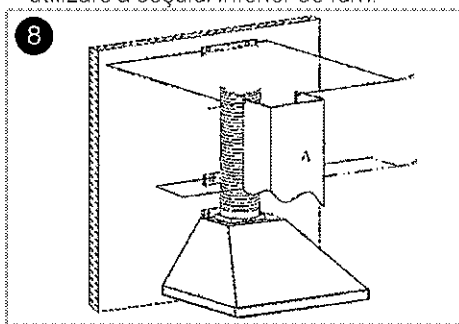
- i** Neglijarea curățării periodice a filtrelor de ulei sau neînlocuirea filtrelor de carbon la sfârșitul perioadei de utilizare (aproximativ 4 luni) poate provoca incendii.

### 8. Instalarea hornului

Pentru montarea hornului superior A, fixați colțurile superioare ale hornului pe racordul (C) așa cum este prezentat mai jos și fixați-l pe racord utilizând șuruburi de 2,9 mm.



Distanța dintre gaura X1 și X2 este determinată în timpul procesului de montare depinzând de lungimea de utilizare a coșului inferior de fum.



Pentru montarea hornului inferior B, alungiiți hornul prin tragerea ușoară de ambele capete și fixați-l în canalele hornului superior așa cum este prezentat în figura de mai sus.

## Puteți utiliza hota în două moduri:

### 1 Utilizare cu hornul racordat

Aerul este evacuat prin conducta hornului, care este fixată cu inelul de racord de hotă. Diametrul conductei hornului trebuie să fie egal cu diametrul inelului de racord. Pentru a permite evacuarea ușoară a aerului din cameră în aranjamente orizontale, conducta trebuie să fie înclinată puțin în sus (aproximativ 10°).

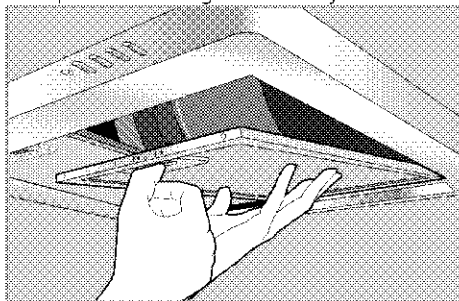
**i** Dacă filtrul de carbon este instalat pe hotă, îndepărtați-l atunci când utilizați hota cu hornul.

### 2 Utilizare cu hornul neracordat

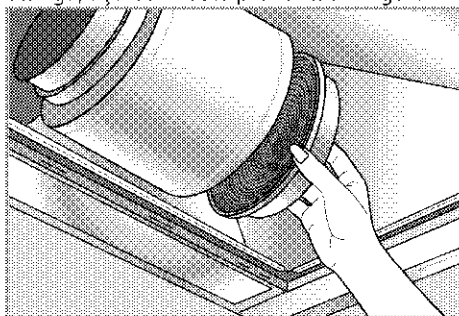
Aerul este filtrat prin filtrul de carbon și evacuat în cameră. Filtrul de carbon este utilizat în momentul când nu există horn în

casă sau când nu este posibilă instalarea unei conducte de evacuare.

- Demontați filtrele de aluminiu așa cum este prezentat în figura de mai jos.



- Pentru montarea filtrului de carbon, centrați filtrul de carbon pe componenta de plastic pe ambele fețe ale corpului ventilatorului, și fixați-l.
- Strângeți prin rotirea spre dreapta și stânga, așa cum este prezentat în figură.



- Remontați filtrele de aluminiu.

## Transportul ulterior

- Păstrați cutia originală a produsului și transportați-l în aceasta. Respectați instrucțiunile de pe cutie. Dacă nu aveți cutia originală, ambalați produsul în folie cu bule sau în carton gros și lipiți-l cu bandă adezivă.

**i** Nu amplasați obiecte pe produs; mutați-l în poziție verticală.

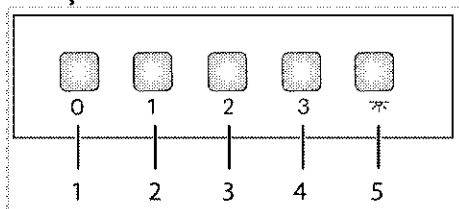
**i** Verificați aspectul general al produsului pentru a determina dacă nu a fost avariat în timpul transportului.

## 4 Funcționarea hotei

Cuptorul este echipat cu un motor având setări variate de viteză.

Pentru o performanță mai bună, noi vă sfătuim să utilizați vitezele inferioare în condiții normale, și vitezele superioare în momentul când mirosul și vaporii s-au intensificat.

### Funcționarea hotei



- 1 Buton oprit
- 2 Viteza1
- 3 Viteza2
- 4 Viteza3
- 5 Buton lampă

1. Apăsați pe butonul relevant pentru viteza care o doriți ca hota să funcționeze.

**i** Nu apăsați niciodată în același timp pe două butoane. Dacă apăsați, viteza superioară va fi activată.

### Oprirea hotei

1. Apăsați pe butonul oprit în momentul când hota funcționează la o viteză anume.

### Utilizarea lămpii

1. Apăsați pe butonul de lampă pentru funcționarea acesteia.

### Oprirea hotei

1. Apăsați pe butonul lămpii din nou pentru a opri lampa.

**i** Butonul Închis nu oprește lampa, acesta doar oprește funcționarea hotei.

## 5 Întreținere și curățare

### General information

Service life of the product will extend and frequent problems will decrease if the product is cleaned at regular intervals.

**!** Disconnect the product from mains supply before starting maintenance and cleaning works.

There is the risk of electric shock!

- Clean the product thoroughly after each use. In this way it will be possible to remove cooking residues more easily, thus avoiding these from burning the next time the appliance is used.
- No special cleaning agents are required for cleaning the product. Use warm water with washing liquid, a soft cloth or sponge to clean the product and wipe it with a dry cloth.
- Do not use cleaning agents that contain acid or chloride to clean the stainless or inox surfaces and the handle. Use a soft cloth with a liquid detergent (not abrasive) to wipe those parts clean, paying attention to sweep in one direction.

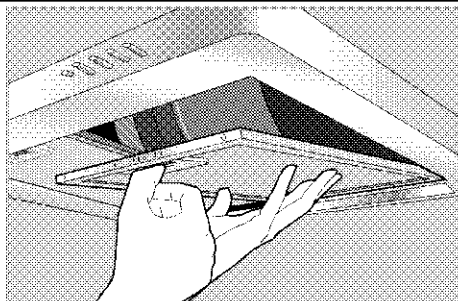
**i** The surface might get damaged by some detergents or cleaning materials.

Do not use aggressive detergents, cleaning powders/creams or any sharp objects during cleaning.

**i** Do not use steam cleaners for cleaning.

### Aluminum filter

This filter captures oil particles in the air. You are recommended to clean your filter once a month in normal use. Please firstly remove aluminum filters for this process. Wash the filters in liquid-detergent water and install them after drying. Aluminum filters might change colour in time due to washing. This is normal and you don't need to replace the filter.



**i** You can also wash aluminum filters in dishwasher.

### Removing aluminum filters

1. Push aluminum filter lock forward.
2. Slightly lower the filter and pull forth. Otherwise, you may bend the filter.
3. After washing, reverse the steps above to re-install the aluminum filter.

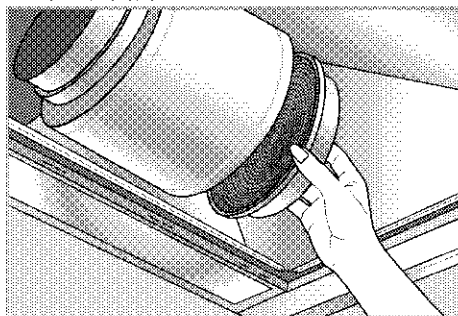
### Carbon filter (Use without chimney)

**i** Carbon filter should never be washed.

It should be replaced once every 4 months in normal use. You may obtain carbon filters from the Authorised Service.

### Removing carbon filters

1. Remove aluminum filters
2. To remove carbon filter, turn it to release from the tab.



3. Install the new carbon filter.
4. Re-install aluminum filters.

**i** You may cause fire if you do not observe the rules regarding the cleaning and replacing hood filters.

## Înlocuirea lămpii

**i** Lampa capotei din acest produs poate fi schimbată de utilizator.

**!** Înainte de a înlocui lampa, asigurați-vă că produsul este deconectat de la priză pentru a evita producerea de șocuri electrice. Dacă este fierbinte, lăsați lampa să se răcească. Suprafețele fierbinți pot provoca arsuri!

**i** Pentru specificațiile lămpile, vezi *Specificații tehnice, pagina 10*. Lămpile pentru cuptor pot fi obținute de la agenți de service autorizați.

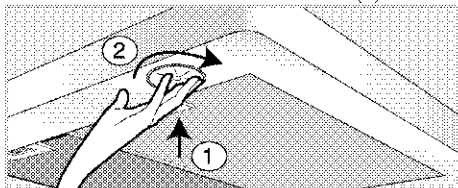
**i** Poziția lămpii poate varia de la figură.

**i** Lampa utilizată în acest produs nu este indicată pentru iluminatul camerei. Scopul destinat al acestei lămpi este de a sprijini utilizatorul în vizualizarea produselor alimentare.



Folosiți doar pentru lămpile tungsten cu halogen și protecție sau pentru lămpile metal-halide cu protecție.

1. Scoateți lampa prin apăsarea pe scaunul acesteia în direcția acelor de ceas (1) și apoi scoateți-o prin rotirea acesteia în sensul invers al acelor de ceas (2).



2. Introduceți nou lampa prin rotirea acesteia în direcția acelor de ceas.
3. Un "clic" se va auzi în momentul când lampa este în siguranță în locașul acesteia.

## 6 Remedierea problemelor

### Produsul nu funcționează.

- Siguranța principală este defectă sau decuplată. >>> *Verificați siguranțele din tabloul de siguranțe. Dacă este cazul, înlocuiți-le sau cuplați-le.*
- Produsul nu este conectat la priză. >>> *Verificați conexiunea ștecherului.*
- Butonul de viteză ar putea să nu fie setat. >>> *Apăsăți butonul de viteză solicitat.*
- Pană de curent. >>> *Verificați dacă este curent. Verificați siguranțele din tabloul de siguranțe. Dacă este cazul, înlocuiți-le sau cuplați-le.*

### Lampa hoteli nu funcționează.

- Lampa hoteli este defectă. >>> *Înlocuiți lampa hoteli.*
- Pană de curent. >>> *Verificați dacă este curent. Verificați siguranțele din tabloul de siguranțe. Dacă este cazul, înlocuiți-le sau cuplați-le.*

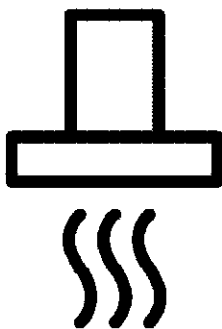


Consultați un agent de service autorizat sau dealer-ul de unde ați achiziționat produsul dacă nu puteți remedia problemele deși ați efectuat instrucțiunile din această secțiune. Nu încercați să reparați pe cont propriu produsul defect.



# beko

## Воздухоочистителя Руководство пользователя



RU



## Перед началом эксплуатации прочитайте это руководство пользователя!

Уважаемый покупатель!

Спасибо за то, что отдали предпочтение продукции компании «Веко». Надеемся, что это высококачественное изделие, изготовленное с применением самых современных технологий, будет демонстрировать наилучшие результаты эксплуатации. Для этого перед началом эксплуатации внимательно прочитайте это руководство и всю сопутствующую документацию и используйте его в дальнейшем в качестве справочника. Если вы передаете изделие новому владельцу, передайте ему и руководство пользователя. Придерживайтесь всех предупреждений и информации, содержащихся в руководстве.

Помните, что данное руководство пользователя также может быть применимо к некоторым другим моделям. Различия между моделями будут указаны в руководстве.

### Пояснения к символам

В данном руководстве пользователя используются следующие символы:



Важная информация или полезные советы по использованию.



Предупреждение о ситуациях, опасных для жизни людей и имущества.



Предупреждение об опасности поражения электрическим током.



Предупреждение об опасности пожара.



Предупреждение о горячих поверхностях.

**1 Важные инструкции и предупреждения по технике безопасности и охране окружающей среды 4**

Общие правила безопасности.....	4
Электробезопасность .....	5
Безопасность изделия.....	6
Использование по назначению.....	9
Безопасность детей.....	9
Утилизация старого изделия.....	9
Утилизация упаковочных материалов	10

**2 Общие сведения 11**

Обзор .....	11
Комплект поставки .....	12
Технические характеристики.....	13

**3 Установка 14**

Установка .....	14
Последующая транспортировка .....	18

**4 Эксплуатация воздухоочистителя 19****5 Уход и техническое обслуживание 20**

Общая информация .....	20
Замена лампы.....	21

**6 Устранение неисправностей 22**

## **1 Важные инструкции и предупреждения по технике безопасности и охране окружающей среды**

В данном разделе содержатся инструкции по технике безопасности, которые помогут вам избежать травм и повреждений. При несоблюдении этих правил все гарантийные обязательства аннулируются.

### **Общие правила безопасности**

- Это изделие может эксплуатироваться детьми старше 8 лет и людьми с ограниченными физическими, сенсорными или умственными способностями, а также лицами, не имеющими достаточного опыта и знаний, только в том случае, если они находятся под наблюдением лиц, ответственных за их безопасность, или проинструктированы на предмет безопасного использования изделия и осознают связанные с этим риски. Следите за тем, чтобы дети не играли с

устройством. Дети могут чистить и обслуживать устройство только под наблюдением.

### **• Опасность угарных газов!**

Во время работы изделия всасывается воздух из всего помещения. Если не обеспечить

соответствующую вентиляцию, ядовитые газы, образующиеся в результате сгорания, могут засасываться обратно в помещение через тягу дымохода. Не используйте изделие вместе с источниками выделения ядовитых газов и обеспечьте вытяжку воздуха (дровяные, газовые, нефтяные и угольные печи, водонагреватели, чайники и т.п.).

- Обязательно поручите уполномоченным на это лицам проверить правильную работу вентиляции и тяги дымохода в вашем здании.
- Данный электроприбор не предназначен для использования лицами

(включая детей) с ограниченными физическими, сенсорными и интеллектуальными возможностями либо не имеющими опыта и знаний. Они могут .

Не позволяйте детям играть с прибором. Чистка и техническое обслуживание не должны проводиться детьми.

- Установка и ремонт должны выполняться только специалистами **авторизированного сервисного центра**.

Производитель не несет ответственности за ущерб в результате выполнения работ лицами, не имеющими соответствующей квалификации.

- Не пользуйтесь неисправным изделием или изделием с видимыми повреждениями.
- После каждого использования обязательно выключайте изделие.
- В случае передачи изделия третьему лицу в личное пользование или в целях вторичного использования необходимо также

передать руководство пользователя, наклейки изделия, а также другие связанные с ним документы и компоненты.

- Изделие должно устанавливаться квалифицированным специалистом в соответствии с действующими нормами и правилами. В противном случае гарантия аннулируется.

### **Электробезопасность**

- Для подготовки изделия к эксплуатации сначала следует подготовить место установки и электропроводку. Затем следует вызвать представителя ближайшей к вам авторизованной сервисной службы.
- В случае неисправности нельзя включать изделие, пока оно не будет отремонтировано представителем авторизованного сервисного центра. Имеется опасность поражения электрическим током!
- Никогда не вставляйте вилку воздухоочистителя

- в розетку до завершения установки!
- Не прикасайтесь влажными руками к вилке шнура питания. Не тяните за шнур питания, вынимая вилку из розетки; для этого всегда беритесь за штепсельную вилку.
  - Прежде чем приступить к установке, техническому обслуживанию, чистке и ремонту, изделие необходимо отключить от электросети.
  - Во избежание несчастных случаев при повреждении шнура питания замену должен осуществлять производитель, его представитель по сервису или лицо, имеющее аналогичную квалификацию.
  - Если ваш продукт был произведен с вилкой, не обрезайте вилку для подключения к электросети во время установки. В противном случае гарантия становится недействительной, и пользователи могут подвергнуться риску безопасности.
  - Никогда не подключайте кабель питания вблизи плит. Если шнур питания расплавится, это может привести к пожару.
  - Все работы с электрическим оборудованием и системами должны выполняться только квалифицированными специалистами, допущенными к выполнению таких работ.
  - В случае какого-либо повреждения выключите изделие и отсоедините его от электросети. Для этого выключите общий предохранитель в доме.
  - Проверьте, соответствует ли ток перегорания плавкого предохранителя характеристикам изделия.
  - Никогда не мойте изделие водой! Имеется опасность поражения электрическим током!

### **Безопасность изделия**

- Расстояние между нижней поверхностью воздухоочистителя и верхней поверхностью плиты должно составлять не менее 650 мм.

- Никогда не прикасайтесь к лампе воздухоочистителя после работы в течение длительного времени. Горячие лампы могут вызвать ожоги рук.
- Ни в коем случае не пользуйтесь изделием без масляного фильтра. Никогда не снимайте фильтры, когда изделие работает.
- Не допускайте большого пламени под воздухоочистителем. В противном случае частицы на масляном фильтре могут воспламениться и вызвать пожар.
- Включайте плиты после того, как установите на них кастрюли или посуду. В противном случае повышенная температура может деформировать некоторые детали изделия.
- Выключайте плиты, прежде чем снимать с них кастрюли или посуду.
- Не допускайте размещения воспламеняющихся материалов под воздухоочистителем.
- Не подвергайте изделие воздействию открытого огня, находящегося под ним. Это может привести к воспламенению жира, накопившегося в фильтре. Не включайте воздухоочиститель без фильтра.
- Никогда не оставляйте плиту без присмотра при жарке продуктов, масло может воспламениться, а также закипевшее масло может привести к пожару. Поэтому будьте осторожны со скатертями и занавесками.
- Если периодически не чистить воздухоочиститель соответствующим образом, это может создать опасность его возгорания.
- Чтобы очистить воздух в кухне от запахов и паров от приготовления продуктов, оставьте воздухоочиститель включенным еще на 15 минут после окончания варки или жарки продуктов.
- Если вытяжка используется одновременно с приборами, работающими с горючим газом или другим топливом,

- необходимо обеспечить надлежащую вентиляцию помещения. (Не относится к электроприборам, которые только выпускают воздух обратно в помещение).
- В помещениях, где используется воздухоочиститель, выхлопные газы от устройств, работающих на жидком топливе или газе (например, комнатных обогревателей), должны быть полностью изолированы, либо устройства должны быть герметичны.
  - Если в помещении имеются устройства, работающие на жидком топливе или газе, в помещении должна быть обеспечена достаточная вентиляция.
  - Если в помещении одновременно с воздухоочистителем используется неэлектрическое устройство, отрицательное давление в помещении должно составлять максимум 0,04 миллибар, во избежание того, чтобы воздухоочиститель возвращал выпускные газы других устройств обратно в помещение.
  - Никогда не подсоединяйте воздухоочиститель к дымоходам, используемым для обогревателей, отработанных газов и открытого пламени. Соблюдайте нормы и правила по отводу выпускаемого воздуха.
  - При подсоединении к дымоходу используйте трубы диаметром 120 мм. Соединения труб должны быть как можно более короткими с минимальным числом изгибов.
  - Не подвешивайте легковоспламеняющиеся и горючие материалы на ручки вытяжки.
  - Наша компания не несет ответственности за проблемы, которые могут возникнуть в связи с эксплуатацией при несоблюдении вышеописанных инструкций.
  - Если очистка не выполняется в соответствии с инструкциями, может



- возникнуть опасность пожара.
- Под капотом не должно быть открытого огня. (пример: фламбе)
  - Внимание! При использовании электроплиты рабочие детали могут сильно нагреваться.
  - В обычном режиме эксплуатации его рекомендуется чистить раз в месяц.

### **Использование по назначению**

Данное изделие предназначено для использования в быту. Запрещается использовать прибор в коммерческих целях.

Производитель не несет ответственности за повреждения в результате использования изделия не по назначению или неправильного обращения с ним.

### **Безопасность детей**

- Во время работы изделия не допускайте к нему детей, а также не разрешайте им играть с ним.

- Упаковочные материалы представляют опасность для детей. Храните упаковочные материалы в недоступном для детей месте, а также сортируйте и утилизируйте их в соответствии с правилами уничтожения отходов.
- Электрические изделия представляют опасность для детей. Во время работы изделия не допускайте к нему детей, а также не разрешайте им играть с ним.

### **Утилизация старого изделия**

**Соответствие Директиве ЕС об утилизации электрического и электронного оборудования (WEEE) и утилизация вышедшего из употребления оборудования:**



Данное изделие соответствует Директиве ЕС об утилизации электрического и электронного оборудования (2012/19/EU). Данное изделие имеет маркировку, указывающую на утилизацию его как электрического и электронного оборудования (WEEE). Это изделие произведено из высококачественных деталей и материалов, которые подлежат повторному использованию и переработке. Поэтому не выбрасывайте изделие с обычными бытовыми отходами после завершения его эксплуатации. Его следует сдать в соответствующий центр по утилизации электрического и электронного

оборудования. О местонахождении таких центров вы можете узнать в местных органах власти.

### **Соответствие Директиве ЕС об ограничении содержания вредных веществ (RoHS):**

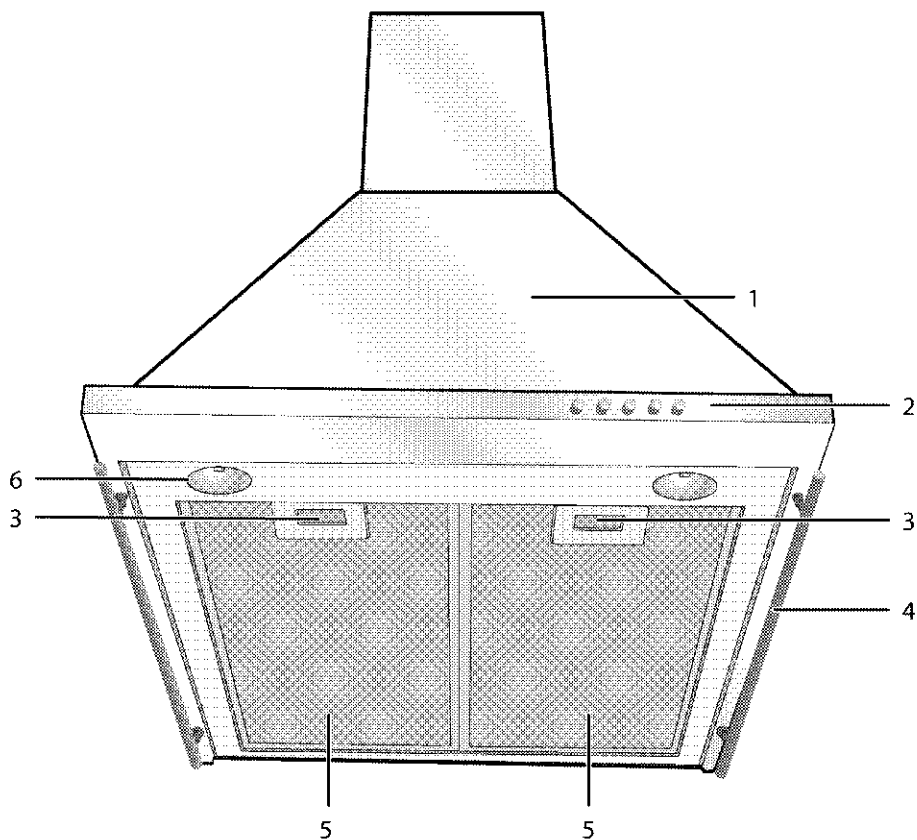
Приобретенное вами изделие соответствует Директиве ЕС о правилах ограничения содержания вредных веществ (2011/65/EU). Оно не содержит вредных и запрещенных материалов, указанных в Директиве.

### **Утилизация упаковочных материалов**

- Упаковочные материалы опасны для детей. Храните упаковочные материалы в безопасном и недоступном для детей месте. Упаковочные материалы изделия изготовлены из материалов, подлежащих вторичной переработке. Утилизируйте их соответствующим образом и сортируйте согласно инструкций по обращению с отходами, подлежащими вторичной переработке. Не утилизируйте их вместе с обычными бытовыми отходами.

## 2 Общие сведения

### Обзор



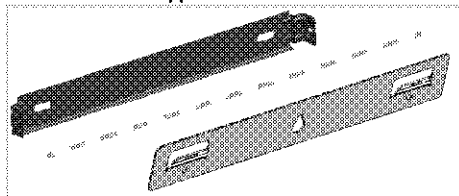
- 1 Корпус вытяжки
- 2 Панель управления
- 3 Замок алюминиевого фильтра
- 4 Ручка
- 5 Алюминиевый фильтр
- 6 Лампа подсветки

## Комплект поставки

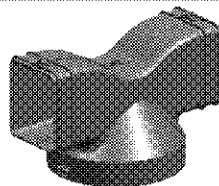
**i** Дополнительные принадлежности, входящие в комплект поставки, могут изменяться в зависимости от модели изделия. Не все дополнительные принадлежности, описанные в руководстве пользователя, могут входить в комплект вашего изделия.

### 1. Руководство пользователя

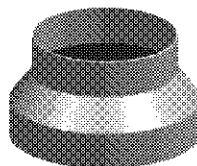
### 2. Стенной соединитель



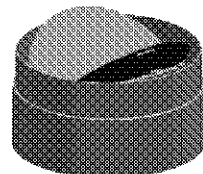
### 3. Деталь, направляющая поток воздуха



### 4. Соединительный переходник дымохода



### 5. Клапаны, препятствующие обратному потоку воздуха



## Технические характеристики

Наружные габариты (высота/ширина/глубина)	мин.740 мм макс. 1135 мм/598 мм/502 мм
Напряжение/частота	220-240 В ; 50 Гц
Управление	3 уровень
Мощность всасывания	415 м <sup>3</sup> /ч
Общая потребляемая мощность	макс. 170 Вт
Диаметр воздухоотводной трубы	120-150 мм
<b>ПОДСВЕТКА</b>	
Тип лампы	Светодиодные
Мощность, потребляемая лампой	3 Вт
Макс. мощность подходящей сменной лампы	макс.2 x 4 Вт.Светодиодные /макс.2 x 28 Вт.Галогенные
Напряжение/частота лампы	230 В~; 50/60 Гц
Тип цоколя лампы	GU10
Диаметр/длина лампы	50 мм /55 мм
<b>Степень защиты IP 44</b>	
<b>Класс защиты -1</b>	

**i** С целью повышения качества изделия технические характеристики могут быть изменены без предварительного уведомления.

**i** Рисунки в данном руководстве носят схематический характер и могут не вполне соответствовать конкретному изделию.

**i** Значения, указанные на маркировке изделия или в других сопроводительных документах, получены в лабораторных условиях согласно соответствующим стандартам. Эти значения могут изменяться в зависимости от условий эксплуатации изделия и окружающей среды.

### 3 Установка

Для установки изделия обратитесь в ближайший авторизованный сервисный центр. Прежде чем вызывать представителя авторизованной сервисной службы для установки изделия, убедитесь в готовности электрического оборудования. В противном случае, вызовите квалифицированного электрика и монтажника для выполнения необходимых работ.

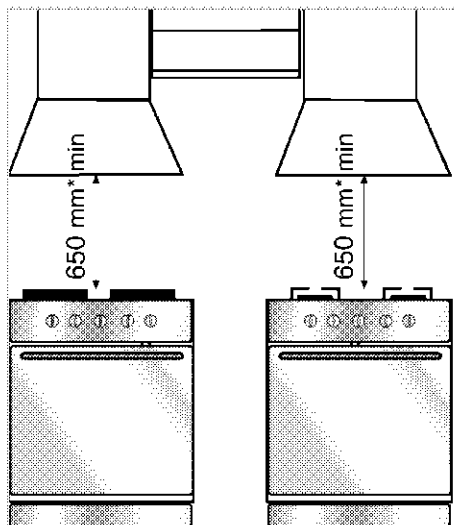
**i** Ответственность за подготовку места установки изделия и электрической сети несет покупатель.

**!** Изделие следует устанавливать в соответствии с местными нормами по проведению электромонтажных работ.

**!** Перед установкой необходимо выполнить осмотр изделия на предмет наличия дефектов. Если таковые имеются, не устанавливайте изделие. Поврежденные изделия могут стать причиной несчастного случая.

**!** Внимание! Если винты или крепежное устройство установлены не в соответствии с инструкциями, может возникнуть опасность поражения электрическим током.

#### Установка



\* мин.

Между верхней поверхностью варочной панели и нижней поверхностью вытяжки должен быть минимальный зазор 650 мм.

Воздух, подлежащий удалению через вытяжку, не должен быть направлен в дымоход, используемый другими приборами, в которых применяется газ или другие виды топлива. (Не относится к изделиям, которые только выпускают воздух обратно в помещение.)

Следует соблюдать нормы и правила выпуска воздуха.

#### Подключение к электрической сети

Данное изделие с двужильным силовым кабелем следует подключать к сети с помощью электрического выключателя с межполюсным расстоянием не менее 3 мм. Подключение к электрической сети должно выполняться квалифицированным электриком.

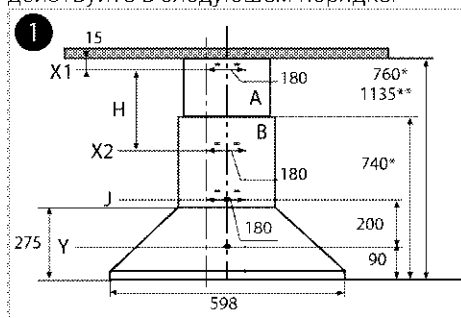
- Установите ваш электроприбор таким образом, чтобы обеспечить прямой доступ к гнезду подключения к сети (вилка, розетка) после установки.

## Установка вытяжки

**i** Размеры указаны в миллиметрах.

Далее приводится необходимая информация по подготовке места установки вытяжки.

Вытяжка должна устанавливаться над кухонной плитой по ее центральной оси. Между верхней поверхностью варочной панели и нижней поверхностью вытяжки должен быть минимальный зазор 650 мм. Для установки вытяжки действуйте в следующем порядке.

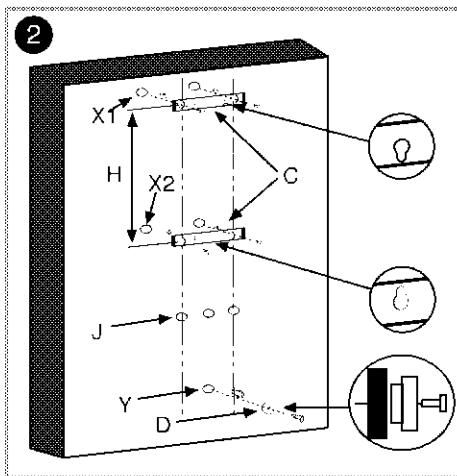


\* мин.

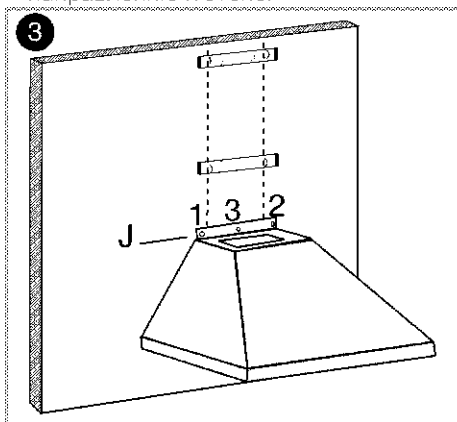
\*\* макс.

1. По центру кухонной плиты проведите осевую линию на стене на высоте до 950 мм. Затем проведите две параллельные линии на расстоянии 90 мм с обеих сторон от осевой линии до потолка. После этого определите место для отверстий, проведя линии Y-J-X2 и X1, вертикально пересекающие осевую линию. Размеры для этого приведены на рисунке 1.

2. Просверлите восемь отверстий диаметром 8 мм в точках X, Y, X2, X1 и вставьте пластмассовые дюбели, поставляемые в комплекте. Проверьте, чтобы соединители дымохода совпадали с этими отверстиями.

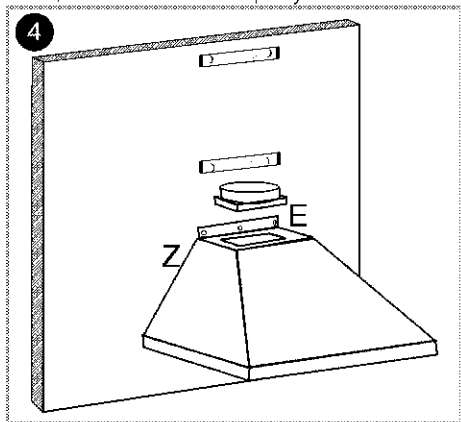


3. Прикрепите соединители (C) к отверстиям X1 и X2 с помощью двух крепежных винтов, входящих в комплект принадлежностей, как показано на рисунке 2. Ввинтите распорное кольцо (D) в отверстие Y стороной меньшего диаметра по направлению к стене.



4. Установите вытяжку овальным отверстием задней панели на распорное кольцо и потяните вниз, чтобы убедиться в его надежной фиксации. Затем привинтите корпус к стене через отверстия J1 и J2 на верхней задней части корпуса. Во избежание случайного падения вытяжки по какой-либо причине,

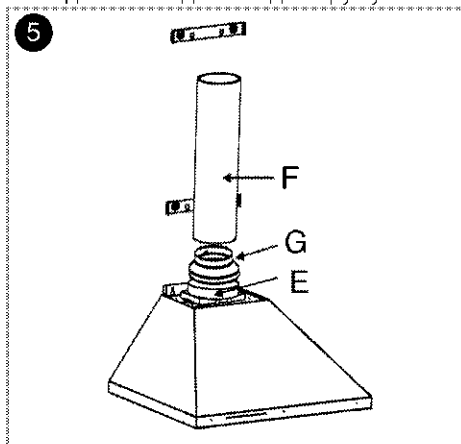
привинтите ее еще и через отверстие J3, как показано на рисунке 3.



5. Установите выходной фланец (E) дымохода к прямоугольному выходу на верхней части вытяжки, после чего привинтите фланец к корпусу с помощью винтов 2,9 мм, входящих в комплект принадлежностей, как показано на рисунке 4.

#### 6. Для использования с подсоединением к дымоходу

В положении подсоединенного дымохода всасываемый воздух будет проходить через масляные фильтры на выход и затем поступать в дымоход через соединительные трубки и, наконец, выводиться из дымохода наружу.



При использовании такого соединительного положения на

выходной фланец дымохода следует установить соединитель (E) с размером от 150 мм до 120 мм, как показано на рисунке 5.

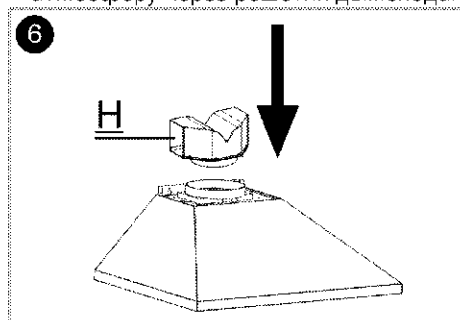
Соединительные трубки дымохода должны быть выполнены из огнеупорного пластикового материала. При использовании гибкого соединения следует учитывать, что острые углы и резкие сужения отрицательно влияют на всасывание воздуха.

Категорически запрещается подключать вытяжку к дымоходу, к которому уже подключено другое изделие.

**i** Соединительная трубка не должна быть более 120-150 мм; в противном случае это будет препятствовать правильному подсоединению дымохода.

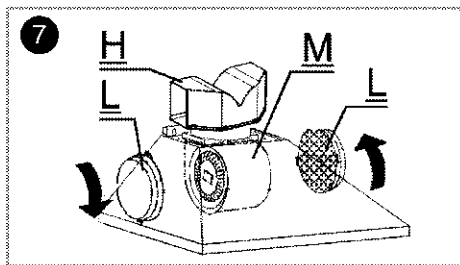
#### 7. Внутренняя циркуляция (использование с угольным фильтром)

В положении внутренней циркуляции поглощенный воздух будет проходить через масляные и угольные фильтры, где удаляется запах, а также через деталь, направляющую поток воздуха. Затем воздух выводится обратно в атмосферу через решетки дымохода.



Деталь, направляющая поток воздуха, установлена в точке H, как показано на рисунке 6.



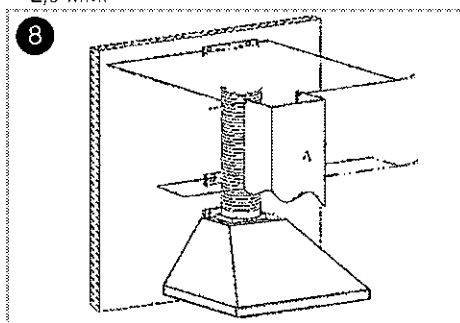


Установите пазы проушин угольных фильтров (L) на проушины держателя двигателя (M), как показано на рисунке 7, и поверните против часовой стрелки, чтобы зафиксировать на месте. Выполните те же действия для держателя двигателя с другой стороны.

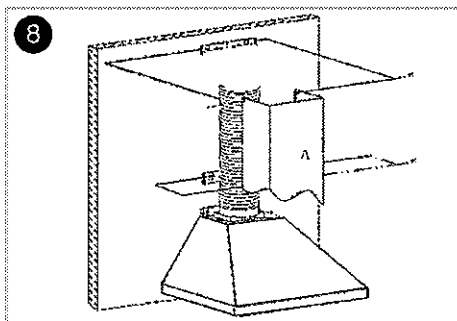
**i** Если периодически не чистить и не обслуживать масляные фильтры и не заменять угольные фильтры по окончании срока их службы (приблизительно 4 месяца), это может создать опасность пожара.

## 8. Установка дымохода

Чтобы установить верхний дымоход А (длинный), закрепите верхние углы дымохода на соединении (С), как показано ниже, и привинтите его к соединителю с помощью винтов 2,9 мм.



Расстояние между отверстиями X1 и X2 определяется в процессе установки в зависимости от используемой длины верхнего дымохода.



Чтобы установить нижний дымоход В (короткий), растяните дымоход, слегка потянув с обеих сторон, и закрепите его в верхних пазах дымохода, как показано на рисунке выше.

## Вы можете использовать вытяжку двумя способами

### 1 \_ использование с подсоединением к дымоходу.

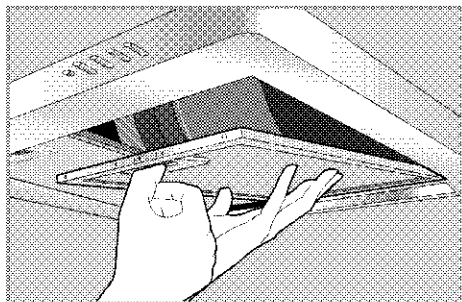
Пар выводится через дымоход, прикрепленный к соединительному кольцу на вытяжке. Диаметр трубы дымохода должен равняться диаметру соединительного кольца. Чтобы воздух свободно выводился из помещения при горизонтальной установке, трубу следует слегка наклонить вверх (приблизительно на 10°).

**i** Если в вашей вытяжке установлен угольный фильтр, его следует удалить.

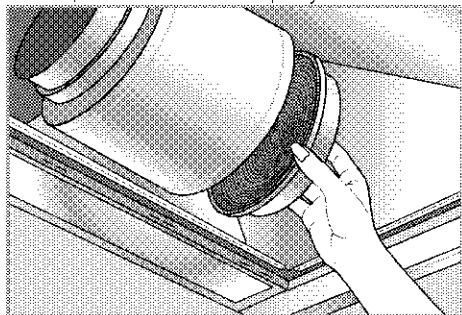
### 2 \_ использование без подсоединения к дымоходу.

Воздух фильтруется через угольный фильтр и возвращается в помещение. Угольный фильтр используется, если в доме отсутствует дымоход или невозможно установить трубу дымохода.

- Снимите алюминиевые фильтры, как показано ниже.



- Чтобы установить угольный фильтр, установите его по центру на пластмассовые детали с обеих сторон корпуса вентилятора и закрепите фильтр в выступах.
- Закрепите его, поворачивая вправо и влево, как показано на рисунке.



- Установите алюминиевые фильтры на место.

### **Последующая транспортировка**

- Сохраните оригинальную упаковочную коробку и перевозите изделие в ней. Следуйте указаниям, нанесенным на упаковке. Если оригинальная упаковочная коробка не сохранилась, заверните изделие в пузырчатую полиэтиленовую упаковку или поместите в коробку из плотного картона. Надежно заклейте клейкой лентой.

**i** Не ставьте на изделие никаких предметов и перемещайте его в вертикальном положении.

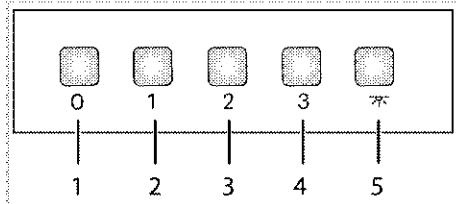
**i** Осмотрите изделие снаружи на предмет возможных повреждений при транспортировке.

## 4 Эксплуатация воздухоочистителя

Воздухоочистители оснащены двигателями с различными регулировками скорости.

Для хорошей работы в нормальных условиях рекомендуется использовать малую скорость, а высокой скоростью пользоваться в условиях сильных запахов и обильного пара.

### Эксплуатация воздухоочистителя



- 1 Кнопочный выключатель
- 2 Скорость 1
- 3 Скорость 2
- 4 Скорость 3
- 5 Кнопка подсветки

1. Нажмите соответствующую кнопку скорости, на которой вы хотите использовать воздухоочиститель.

**i** Никогда не нажимайте одновременно две кнопки. В случае их нажатия включится более высокая скорость.

### Выключение воздухоочистителя

1. Нажмите кнопку выключения, когда воздухоочиститель работает с определенной скоростью.

### Эксплуатация лампы

1. Нажмите кнопку лампы для включения лампы

### Выключение лампы

1. Чтобы выключить лампу, нажмите кнопку лампы еще раз.

**i** Кнопка выключения не выключает лампу, она выключает только работу воздухоочистителя.

## 5 Уход и техническое обслуживание

### Общая информация

Регулярно выполняйте чистку изделия. Это позволит продлить срок его службы, а также избежать многих проблем.

**!** Перед выполнением работ по обслуживанию и чистке отключите изделие от электросети.  
Имеется опасность поражения электрическим током!

- Изделие следует тщательно чистить после каждого использования. Так легче будет удалить остатки пищи, которые могут пригореть, для следующего использования изделия.
- Для чистки изделия не требуются специальные чистящие средства. Используйте теплую воду с добавлением жидкого моющего средства, мягкую ткань или губку. Вытирайте его сухой тканью.
- Для чистки поверхностей из нержавеющей стали и ручек не используйте чистящие средства, содержащие кислоту или хлор. Эти детали можно чистить мягкой тканью, смоченной в жидком моющем средстве (без абразива), стараясь протирать их в одном направлении.

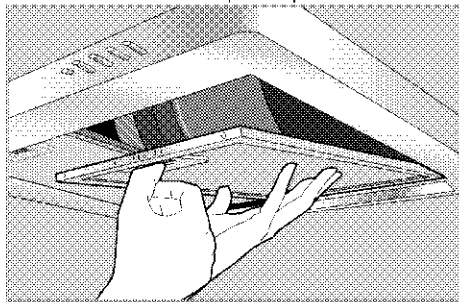
**i** Некоторые моющие и чистящие средства могут повредить поверхность.  
Не используйте для чистки агрессивные моющие средства, чистящие порошки/кремы, а также острые предметы.

**i** Не используйте для чистки пароочистители.

### Алюминиевый фильтр

Этот фильтр предназначен для улавливания частиц масла в воздухе. При нормальном использовании рекомендуется чистить фильтр раз в месяц. Для этого процесса сначала снимите алюминиевые фильтры. Промойте фильтры водой с моющим

средством и установите на место, просушив их. Со временем из-за мытья алюминиевые фильтры могут изменить цвет. Это нормально, и вам не нужно из-за этого заменять фильтр.



**i** Можно также мыть алюминиевый фильтр в посудомоечной машине.

### Снятие алюминиевых фильтров

1. Нажмите фиксатор алюминиевого фильтра вперед.
2. Слегка опустите фильтр и потяните вперед. В противном случае вы можете его согнуть.
3. После промывания для установки алюминиевого фильтра на место действуйте в обратном порядке.

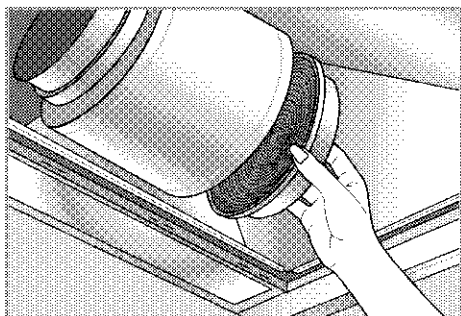
### Угольный фильтр (использование без дымохода)

**i** Угольные фильтры мыть ни в коем случае нельзя.

Их следует заменять через каждые 4 месяца эксплуатации в обычном режиме. Угольные фильтры можно приобрести в авторизованном сервисном центре.

### Снятие угольных фильтров

1. Снимите алюминиевые фильтры
2. Чтобы снять угольный фильтр, поверните его, чтобы высвободить из выступа.



3. Установите новый угольный фильтр.

4. Установите алюминиевые фильтры на место.

**i** Несоблюдение вами правил чистки и замены фильтров воздухоочистителя может привести к пожару.

### Замена лампы

**i** Лампа вытяжки в этом продукте может быть заменена пользователем.

**!** Во избежание поражения электрическим током, прежде чем заменять лампу, убедитесь в том, что изделие отключено от электросети. Если лампа горячая, подождите, пока она остынет. Горячие поверхности могут привести к ожогу!

**i** Технические характеристики лампы см. *Технические характеристики*, стр. 13. Лампы подсветки духового шкафа можно приобрести у представителей авторизированной сервисной службы.

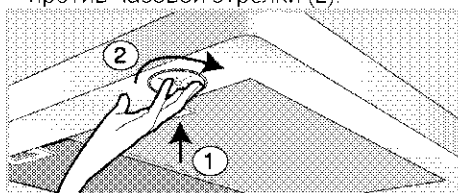
**i** Расположение лампы может отличаться от изображенного на рисунке.

**i** Лампа, используемая в этом приборе, не подходит для освещения бытовых помещений. Эта лампа предназначена для вспомогательной цели, позволяющей пользователю увидеть пищевые продукты.



Используйте только галогенные лампы с вольфрамовой нитью и защитным экраном или металлогалогенные лампы с защитным экраном.

1. Разблокируйте крепление лампочки, прижав ее в направлении по часовой стрелке (1), а затем выньте, вращая ее против часовой стрелки (2).



2. Вставьте новую лампочку, вращая ее по часовой стрелке.

3. Когда лампочка будет зафиксирована, раздвесьте щелчок.

## 6 Устранение неисправностей

### Изделие не работает.

- Плавкий предохранитель неисправен или перегорел. >>> Проверьте плавкие предохранители в блоке предохранителей. При необходимости замените или переустановите их.
- Изделие не включено в розетку электросети. >>> Проверьте подключение штепсельной вилки.
- Возможно, не включена кнопка регулировки скорости. >>> Нажмите кнопку нужной скорости.
- Подача электроэнергии отключена. >>> Проверьте наличие электропитания. Проверьте предохранители в блоке предохранителей. При необходимости замените или переустановите предохранители.

### Освещение воздухоочистителя не работает.

- Лампа воздухоочистителя неисправна. >>> Замените лампу воздухоочистителя.
- Подача электроэнергии отключена. >>> Проверьте наличие электропитания. Проверьте предохранители в блоке предохранителей. При необходимости замените или переустановите предохранители.

**i** Если вы не можете устранить неполадки, несмотря на выполнение инструкций, приведенных в данном разделе, обратитесь к представителю авторизованной сервисной службы или к дилеру, у которого приобретено изделие. Не пытайтесь самостоятельно отремонтировать неисправный электроприбор.

Изготовитель: «Arcelik A.S.»

Юридический адрес: Караач Джаддеси № 2-6 34445 Сютлюдже Стамбул, Турция  
(Karaağaç Caddesi No:2-6 Sütlüce, 34445, Turkey)

Произведено в Турции

Импортер на территории РФ: ООО «БЕКО»

Юридический адрес: 601021 Россия, Владимирская обл., Киржачский р-н, МОСП  
Першинское, дер. Федоровское, ул. Сельская, д. 49.

Информацию о сертификации продукта Вы можете уточнить, позвонив на горячую линию  
8-800-200-23-56.

Дата производства включена в серийный номер продукта, указанный на этикетке, расположенной на продукте, а именно: первые две цифры серийного номера обозначают год производства, а последние две \_ месяц. Например, "10-100001-05" обозначает, что продукт произведен в мае 2010 года.

Изготовитель оставляет за собой право на внесение изменений в конструкцию, дизайн и комплектацию электроприбора.



