



## Refrigerator

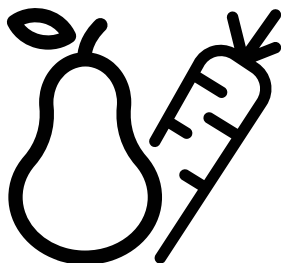
User manual

## Frigider

Manual de instrucțiuni

## Lednice

Návod k použití



RCNE560E30ZXP - RCNE560E30DZXP - RCNE560I30DXB  
RCNE560E30DZXB - RCNE560E30ZXB



EN / RO / CZ

58 0940 0000/AT

1/6

## **Please read this manual before using the product!**

Dear Valued Customer,





We wish you to get the best results from your product that has been manufactured meticulously at modern plants and tested with detailed quality control checks.

For this reason, we recommend that you read this user manual thoroughly before starting the product. If you hand over the product to someone else, please remember to give the user manual as well.

### **This manual will help you use your appliance in a fast and safe way.**

- Please read this user manual carefully before installing and using the product.
- Always follow the applicable safety instructions.
- Keep the user manual in an easily accessible place for further use.
- Please read all the other documents provided with the product.

Please keep in mind that this manual may apply to several product models. This manual expressly indicates the differences between various models.

	Important information and useful hints.
	Risk of injury and property damage.
	Risk of electric shock.
	Packaging materials of this product has been manufactured from recyclable materials in accordance with the National Environment Regulations.

---

## **1 Important Instructions Regarding Safety and Environment** **3**

---

1.1. General Safety . . . . .	3
1.1.1 Hydrocarbon (HC) Warning . . . . .	5
1.1.2 For Products with a Water Dispenser/Ice Machine	5
1.2. Intended Use . . . . .	6
1.3. Children's Safety . . . . .	6
1.4. Compliance with the WEEE Directive and Disposing the Waste Product: . . . . .	6
1.5. Compliance with the RoHS Directive: . . . . .	6
1.6. Packaging Information . . . . .	6

## **2 Your Refrigerator** **7**

---

### **3 Installation** **8**

---

3.1. Right place for installation. . . . .	8
3.2. Attaching the plastic wedges . . . . .	8
3.3. Adjusting the stands . . . . .	8
3.4. Power connection. . . . .	8
3.5. Reversing the doors . . . . .	9
3.6. Reversing the doors . . . . .	10

### **4 Preparation** **11**

---

4.1. What to do for energy saving . . . . .	11
4.2. First Use . . . . .	11

## **5 Using the product** **12**

---

5.1. Temperature adjustment button . . . . .	12
5.2. Rapid freezing . . . . .	12
5.3. Vacation function . . . . .	13
5.4. Thermostat setting button . . . . .	14
5.5. Thermostat setting button . . . . .	14
5.6. Defrost. . . . .	14
5.7. Indicator panel . . . . .	15
5.8. Indicator panel . . . . .	16
5.9. Indicator panel . . . . .	18
5.10. Indicator panel . . . . .	21
5.11. Ice bucket . . . . .	23
5.12. Eggholder . . . . .	23
5.13. Fan . . . . .	23
5.14. Vegetable bin . . . . .	23
5.15. Zero degree compartment . . . . .	23
5.16. Using the second crisper of the product; . . . . .	24
5.17. Moving door rack . . . . .	25
5.18. Sliding storage box . . . . .	25
5.19. Deodoriser Module . . . . .	25
5.20. Moisture controlled vegetable bin . . . . .	26
5.21. Automatic ice machine . . . . .	26
5.22. Icematic and ice storage container . . . . .	27
5.23. Using the water dispenser . . . . .	27
5.24. Filling the water dispenser's tank . . . . .	28
5.25. Cleaning the water tank . . . . .	28
5.26. Drip tray. . . . .	29
5.27. HerbBox/HerbFresh . . . . .	29
5.28. Freezing fresh food. . . . .	30
5.29. Recommendations for storing frozen foods . . . . .	30
5.30. Deep freezer details . . . . .	31
5.31. Placing the food . . . . .	31
5.32. Door open alert . . . . .	31
5.33. Changing the opening direction of the door . . . . .	31
5.34. Interior light . . . . .	31

### **6 Care and Cleaning** **32**

---

6.1. Avoiding Bad Odours . . . . .	32
6.2. Protection of plastic surfaces . . . . .	32
6.3. Cleaning the Inner Surface . . . . .	32
6.4. Stainless Steel Outer Surfaces . . . . .	32
6.5. Cleaning Products with Glass Doors . . . . .	33

### **6 Care and Cleaning** **33**

---





### **7 Troubleshooting** **34**

---

# 1 Important Instructions Regarding Safety and Environment

This chapter contains safety information that will help you avoid the risk personal injury or property damage. Failure to follow these instructions shall render any product warranty void.

## Intended use

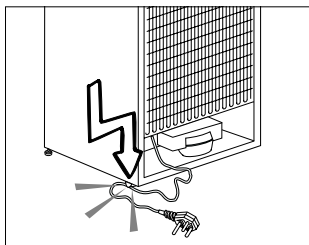
	<b>WARNING:</b> Keep ventilation openings, in the appliance enclosure or in the built-in structure, clear of obstruction.
	<b>WARNING:</b> Do not use mechanical devices or other means to accelerate the defrosting process, other than those recommended by the manufacturer.
	<b>WARNING:</b> Do not damage the refrigerant circuit.
	<b>WARNING:</b> Do not use electrical appliances inside the food storage compartments of the appliance, unless they are of the type recommended by the manufacturer.

This appliance is intended to be used in household and similar applications such as

- staff kitchen areas in shops, offices and other working environments;
- farm houses and by clients in hotels, motels and other residential type environments;
- bed and breakfast type environments;
- catering and similar non-retail applications.

## 1.1. General Safety

- Persons with physical, sensory or mental disabilities; persons who lack experience and information and children should not approach, enter or play with the product.
- Failure to follow the instructions and uncontrolled use of the product lead to dangerous results!
- Unplug the product if you encounter a failure during use.
- If the product malfunctions, it must not be operated until repaired by the authorised service provider. Risk of electric shock!
- Plug the product into a grounded socket protected by a fuse that corresponds to the value on its nameplate. Have a qualified electrician ground the product. Our company cannot be held responsible for damages resulting from the failure to use the product with a grounded socket pursuant to local regulations.
- Unplug the product when not in use.
- Never wash the product by spreading or pouring water onto it! Risk of electric shock!
- Never touch the plug with wet hands!
- Never unplug the product by pulling the cable. Always pull the plug by holding the socket.



## Safety and environment instructions

- Do not plug the refrigerator if the wall socket is loose.
- Never connect your refrigerator to energy saving devices. Such systems are harmful to your product.
- Unplug the product during installation, care, cleaning and repairing procedures.
- Always have the **Authorised Service Provider** install the product and establish its electrical connections. The manufacturer cannot be held responsible for damages caused by procedures performed by unauthorised persons.
- Do not eat cone ice cream or ice cubes immediately after you take them out of the freezer compartment! This may cause frostbite in your mouth!
- Do not touch frozen food with wet hands! They may stick to your hand!
- Do not put bottled or canned liquid beverages in the freezer compartment. They may burst!
- Never use steam or steam cleaners to clean or defrost the refrigerator. Steam gets into contact with the live parts in your refrigerator, causing short circuit or electric shock!
- Do not use mechanical devices or other means to accelerate the defrosting process other than those recommended by the manufacturer.
- Never use the parts in your refrigerator such as the door and drawer as a means of support or step. This may cause the product to tip over or damage the parts of it.
- Do not damage the parts where the refrigerant is circulating with drilling or cutting tools. The refrigerant that might blow out when the gas channels of the evaporator, pipe extensions or surface coatings are punctured causes skin irritations and eye injuries.
- Do not cover or block the ventilation holes in your refrigerator with any object.
- Place the beverage with higher proofs tightly closed and vertically.
- Do not use gaseous sprays near the product since there is the risk of fire or explosion!
- Flammable items or products that contain flammable gases (e.g. spray) as well as explosive materials should never be kept in the appliance.
- Do not place vessels filled with liquid onto the product. Splashing water on an electrical part may cause electric chock or the risk of fire.
- Do not store items that need precise temperature adjustment (such as vaccines, heat-sensitive medication, science materials etc.) in the refrigerator.
- If you are not going to use the product for a long time, unplug it and remove the food in it.
- If there is a blue light on the refrigerator, do not look at this light with optical tools.
- Exposing the product to rain, snow, sun or wind is dangerous in terms of electrical safety.
- In products with mechanical control (thermostat), wait for 5 minutes to plug in the product again after unplugging.
- Do not overload the refrigerator. Objects in the refrigerator may fall down when the door is opened, causing injury or damage. Similar

## Safety and environment instructions




problems may arise if any object is placed onto the product.

- If the product has a door handle, do not pull the handle when re-locating the product. The handle might be loose.
- Be careful not to jam your hand or any other body part in the moving parts of the refrigerator.
- Do not put your hand or any other foreign materials into the ice machine while it is operating.

### 1.1.1 Hydrocarbon (HC) Warning

- If your product's cooling system contains R600a:

This gas is flammable. Therefore, pay attention not to damage the cooling system or the piping during use and transportation. If damaged, keep the product away from potential fire sources that may cause it to catch fire and ventilate the room where the product is placed.

	If the product is damaged and if you see gas leak, please keep away from the gas. It may cause frostbite when it gets into contact with the skin. (including R134)
	Ignore this warning if the cooling system of your product contains R134a.
	Type of gas used in the product is stated on the type plate which is on the left wall inside the refrigerator.



### WARNING:

Never throw the product into fire for disposal.

### 1.1.2 For Products with a Water Dispenser/Ice Machine

- Pressure for cold water inlet shall be maximum 90 psi (620 kPa). If your water pressure exceeds 80 psi (550 kPa), use a pressure limiting valve in your mains system. If you do not know how to check your water pressure, ask for the help of a professional plumber.
- If there is a risk of water impact in your installation, always use a water impact protection equipment in that installation. Please consult professional plumbers if you are not sure if there is water impact in your installation.
- Do not make installation on the hot water inlet.
- Use drinking water only.
- Take the necessary measures against the freezing risk of the hoses. The water temperature operating range must be 0.6°C (33°F) minimum and 38°C (100°F) maximum.



### WARNING:

Never connect the product to a cold water mains with a pressure of 550 kPa (80 psi) or above.

## Safety and environment instructions

### 1.2. Intended Use

- This product has been designed for domestic use. It is not suitable for commercial use and it must not be used out of its intended use.
- It must be used only for storing food.
- The manufacturer will not take any responsibility for damages resulting from improper use or transport.
- Original spare parts will be available for 10 years after the purchase date of the product.

### 1.3. Children's Safety

- If there is a lock on the door of the product, the key should be kept out of the reach of children.
- Do not let children play with the product.

#### **DANGER:**

Before disposing your old refrigerator or freezer:

- Children may get locked inside.
- Remove the doors.
- Leave the shelves to prevent children from getting inside the product easily.



### 1.4. Compliance with the WEEE Directive and Disposing the Waste Product:



This product conforms to the EU WEE Directive (2012/19 EU). This product bears a classification symbol for waste electrical and electronic equipment (WEEE). This product has been manufactured from high quality parts and materials which can be reused and are suitable for recycling. Therefore, do not dispose the product with normal domestic waste or other waste at the end of its service life. Take it to a collection centre for recycling electrical and electronic equipment. Please consult local authorities to learn about the locations of such collection centres.

### 1.5. Compliance with the RoHS Directive:

The unit you have purchased conforms to the EU RoHS Directive (2011/65/EU). It does not contain harmful or prohibited materials specified in the Directive.

### 1.6. Packaging Information

- Packaging materials of the product have been manufactured from recyclable materials in accordance with our National Environment Regulations. Do not dispose the packaging materials with normal domestic waste or other types of waste. Take these materials to a recycling point designated by local authorities.

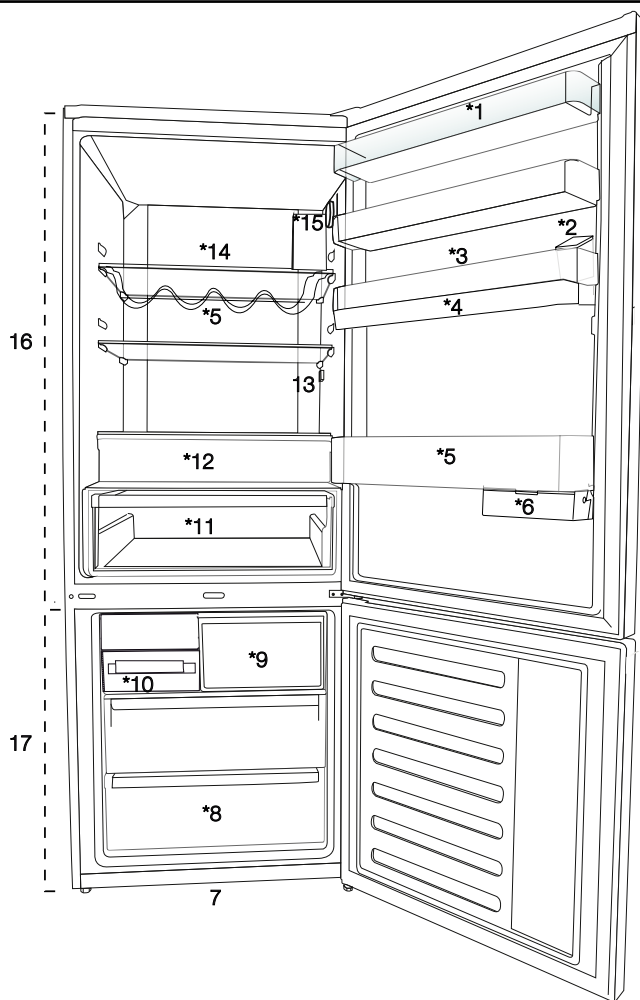
#### **DANGER:**

##### **Risk of Fire or Explosion:**

- This product uses flammable refrigerant.
- Do not use mechanical devices to defrost the refrigerator.
- Do not use chemicals for cleaning.
- Do not pierce the refrigerant pipe.
- If the refrigerant pipe is pierced, it must be repaired only by licensed service personnel.
- Please consult the repair/user manual before cleaning the product. All safety instructions must be followed.
- Dispose the product according to federal or local regulations.



## 2 Your Refrigerator



1. Cooler compartment door shelf
2. Water dispenser filling tank
3. Egg section
4. Water dispenser reservoir
5. Bottle shelf
6. Sliding storage box
7. Adjustable legs
8. Deep freezer compartment
9. Quick freeze compartment
10. Ice cube tray & Ice bank

11. Vegetable bin
12. Zero degree compartment
13. Interior light
14. Cooler compartment glass shelf
15. Temperature adjustment button
16. Cooler compartment
17. Freezer compartment

**May not be available in all models**






**\*optional:** Pictures given in this manual are given as example figures and they may not be exactly the same as your product. If your product does not comprise the relevant parts, the information pertains to other models.



### 3.1. Right place for installation

Contact the Authorized Service for the product's installation. To ready the product for installation, see the information in the user guide and make sure the electric and water utilities are as required. If not, call an electrician and plumber to arrange the utilities as necessary.

	<b>WARNING:</b> The manufacturer assumes no responsibility for any damage caused by the work carried out by unauthorized persons.
	<b>WARNING:</b> The product's power cable must be unplugged during installation. Failure to do so may result in death or serious injuries!
	<b>WARNING:</b> If the door span is too narrow for the product to pass, remove the door and turn the product sideways; if this does not work, contact the authorized service.

- Place the product on a flat surface to avoid vibration.
- Place the product at least 30 cm away from the heater, stove and similar sources of heat and at least 5 cm away from electric ovens.
- Do not expose the product to direct sunlight or keep in damp environments.
- The product requires adequate air circulation to function efficiently.
- If the product will be placed in an alcove, remember to leave at least 5 cm distance between the product and the ceiling and the walls.
- Do not install the product in environments with temperatures below -5°C.

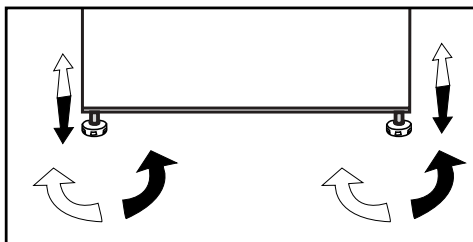
### 3.2. Attaching the plastic wedges

Use the plastic wedges in the provided with the product to provide sufficient space for air circulation between the product and the wall.




1. To attach the wedges, remove the screws on the product and use the screws provided with the wedges.
2. Attach 2 plastic wedges on the ventilation cover as shown in the figure.

### 3.3. Adjusting the stands


If the product is not in balanced position, adjust the front adjustable stands by rotating right or left.



### 3.4. Power connection

	<b>WARNING:</b> Do not use extension or multi sockets in power connection.
	<b>WARNING:</b> Damaged power cable must be replaced by Authorized Service.
	When placing two coolers in adjacent position, leave at least 4 cm distance between the two units.

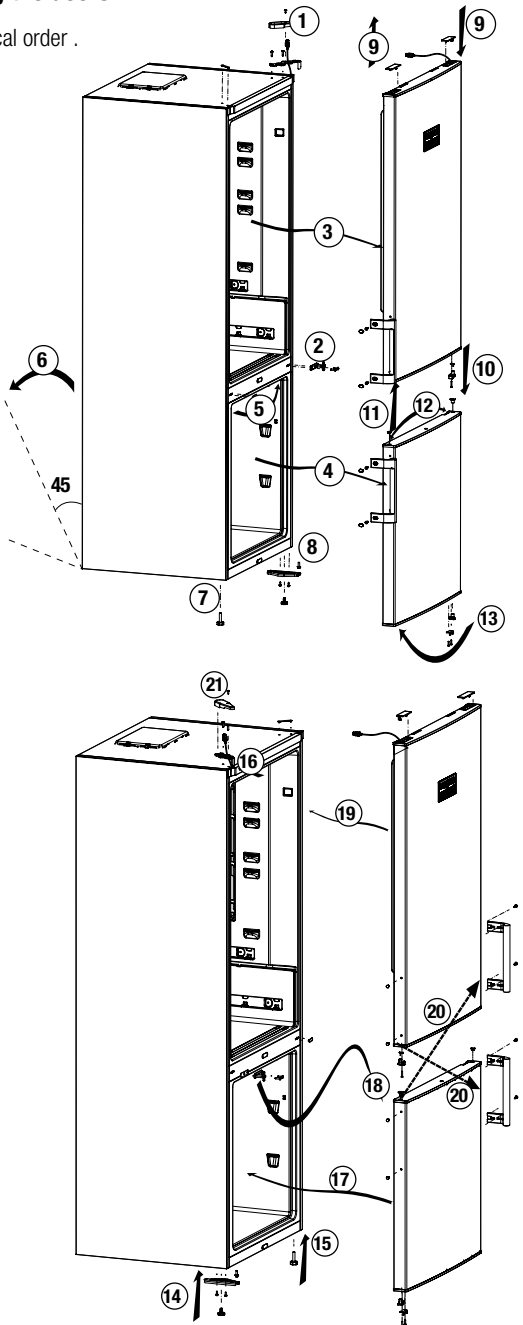
- Our firm will not assume responsibility for any damages due to usage without earthing and power connection in compliance with national regulations.
- The power cable plug must be easily accessible after installation.
- Do not use multi-group plug with or without extension cable between the wall socket and the refrigerator.

	<b>Hot Surface Warning!</b> Side walls of your product is equipped with refrigerant pipes to improve the cooling system. Refrigerant with high temperatures may flow through these areas, resulting in hot surfaces on the side walls. This is normal and does not need any servicing. Please pay attention while touching these areas.
---	--

# Installation

## 3.5. Reversing the doors

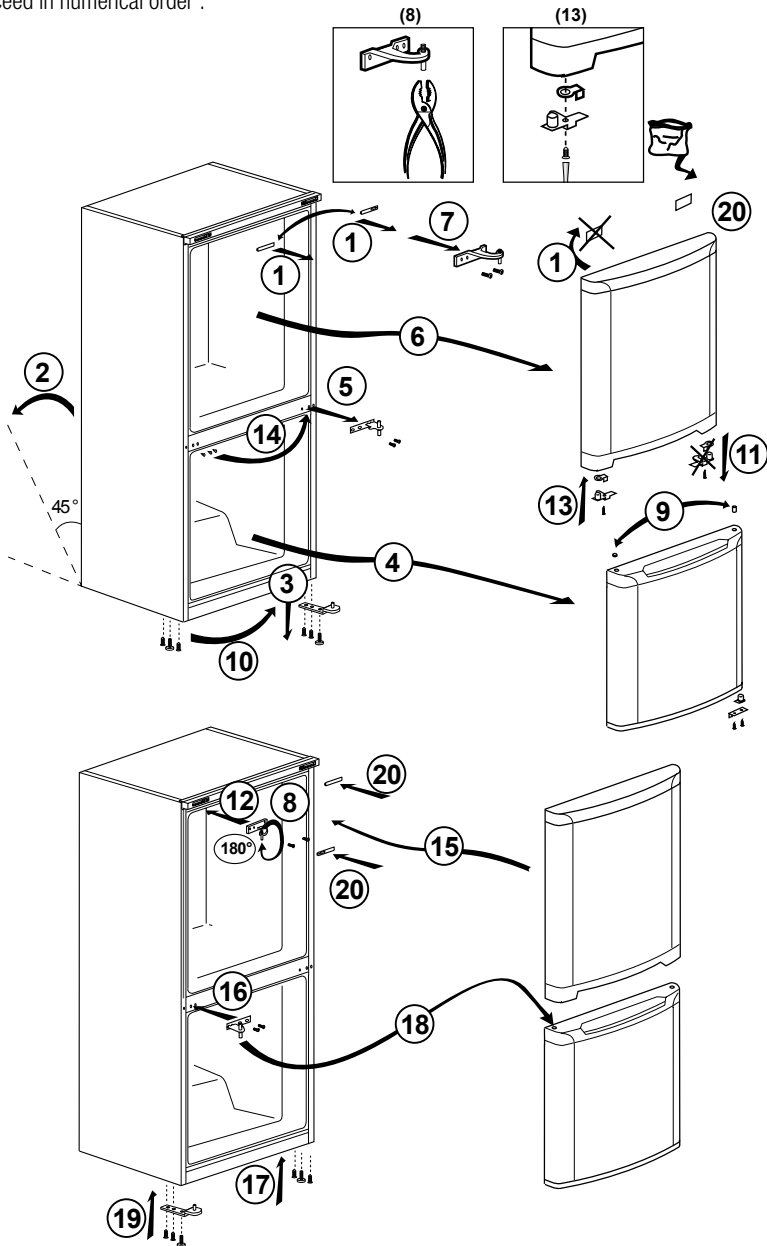
Proceed in numerical order .



# Installation

## 3.6. Reversing the doors

Proceed in numerical order .



## 4

## Preparation

### 4.1. What to do for energy saving

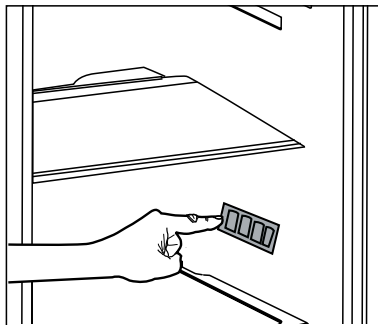


Connecting the product to electronic energy-saving systems is harmful, as it may damage the product.

- Do not keep the refrigerator doors open for long periods.
- Do not place hot food or beverages into the refrigerator.
- Do not overfill the refrigerator; blocking the internal air flow will reduce cooling capacity.
- In order to store the maximum amount of food into the cooler compartment of your refrigerator, you should take out the upper drawers and place it onto the glass rack. The declared energy consumption of your refrigerator was determined by taking out the cooler, ice tray and upper drawers in a way that will enable maximum storage. Using the below drawer when storing is strongly recommended. Energy saving function should be activated for best energy consumption.
- You should not block the airflow by putting food in front of the cooler fan. A space of minimum 3cm must be left in front of the protective fan wire when placing food.
- Depending on the product's features; defrosting frozen foods in the cooler compartment will ensure energy saving and preserve food quality.
- Food should be stored using the drawers in the cooler compartment in order to ensure energy saving and protect food in better conditions.
- Food packages should not be in direct contact with the heat sensor located in the cooler compartment. If they are in contact with the sensor, energy consumption of the appliance might increase.
- Make sure the foods are not in contact with the cooler compartment temperature sensor described below.
- Since hot and humid air will not directly penetrate into your product when the doors are not opened, your product will optimize itself in conditions sufficient to protect your food. Functions and components such as compressor, fan, heater, defrost, lighting, display and so on will operate according to the needs to consume minimum energy under these circumstances.

### 4.2. First Use

Before using your refrigerator, make sure the necessary preparations are made in line with the instructions in "Safety and environment instructions" and "Installation" sections.



- Keep the product running with no food inside for 6 and do not open the door, unless absolutely necessary.



A sound will be heard when the compressor is engaged. It is normal to hear sound even when the compressor is inactive, due to the compressed liquids and gasses in the cooling system.



Front edges of the product might heat up. This is normal. These areas are designed to warm up in order to prevent condensation.



In some models indicator panel turns off automatically 5 minutes after the door closes. It will be reactivated when the door is open or any button is pressed.

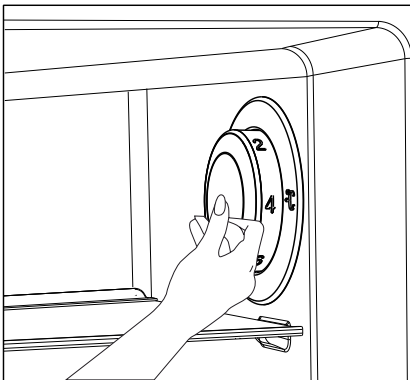
### 5.1. Temperature adjustment button

Internal temperature of your refrigerator varies depending on the following reasons:

- Seasonal temperatures,
- Opening the door frequently and leaving it open for long periods,
- Meals put into the refrigerator without being cooled to room temperature,
- Location of the refrigerator in the room (e.g. exposed to sunshine).
- Internal temperature varying due to these factors can be adjusted via the adjustment button.


Numbers around the adjustment button indicate temperature degrees as "°C".

If the ambient temperature is 20°C, it is recommended to use the refrigerator temperature adjustment at 4°C. In other ambient temperatures this value can be customised.



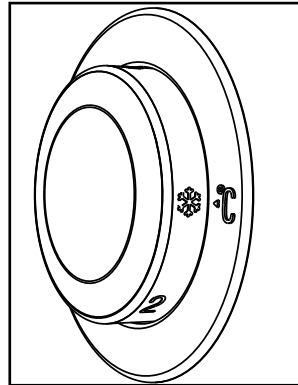
### 5.2. Rapid freezing

If you want to freeze large amounts of fresh food, switch the temperature adjustment button to

 position before putting the food into the quick freezing compartment.

It is recommended to keep the button at this position for 24 hours to freeze maximum amount of food indicated as the freezing capacity. Pay special attention not to mix food stolen as frozen and fresh food.

Remember to switch the temperature adjustment button back to its previous position.




**May not be available in all models**



**\*Optional:** The figures in this user guide are intended as drafts and may not perfectly match your product. If your product does not comprise the relevant parts, the information pertains to other models.

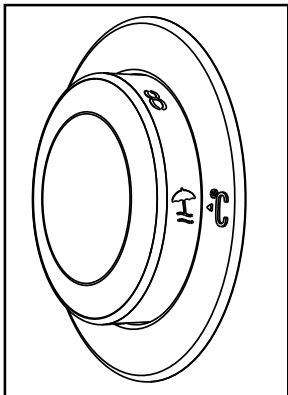
## Using the product

### 5.3. Vacation function

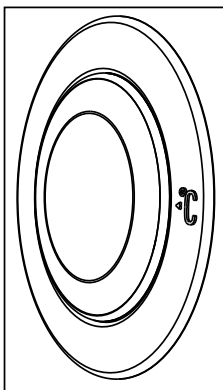
If doors of the product is not (  ) opened for at least 12 hours after adjusting the temperature setting button to the highest, vacation function is automatically activated.

Button setting must be changed to cancel the function.

It is not recommended to store food in the cooler compartment when vacation function is activated.



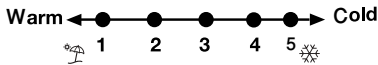
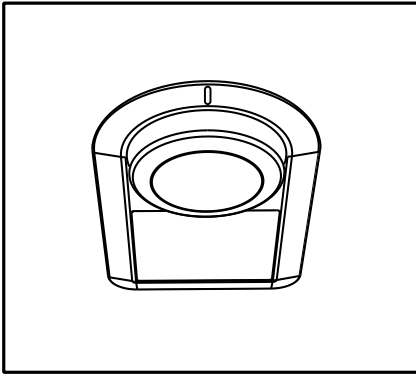
- After setting is completed, you can conceal the temperature setting button by pressing it inside.



## Using the product

### 5.4. Thermostat setting button

The operating temperature is regulated by the temperature control.



**1=Lowest cooling setting (Warmest setting).**

**4=Highest cooling setting (Coldest setting).**

The average temperature inside the fridge should be around +5°C.

Please choose the setting according to the desired temperature.

Please note that there will be different temperatures in the cooling area.

The coldest region is immediately above the vegetable compartment.

The interior temperature also depends on ambient temperature, the frequency with which the door is opened and the amount of foods kept inside.

Frequently opening the door causes the interior temperature to rise.

For this reason, it is recommended to close the door again as soon as possible after use.

**May not be available in all models**

### 5.5. Thermostat setting button

The interior temperature of your refrigerator changes for the following reasons;

- Seasonal temperatures,
- Frequent opening of the door and leaving the door open for long periods,
- Food put into the refrigerator without cooling down to the room temperature,
- The location of the refrigerator in the room (e.g. exposing to sunlight).
- You may adjust the varying interior temperature due to such reasons by using the thermostat. Numbers around the thermostat button indicates the cooling degrees.
- If the ambient temperature is higher than 32°C, turn the thermostat button to maximum position.
- If the ambient temperature is lower than 25°C, turn the thermostat button to minimum position.

### 5.6. Defrost

#### Fridge compartment

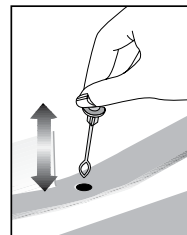
Fridge compartment performs full-automatic defrosting. Water drops and a frosting up to 7-8 mm can occur on the inner rear wall of the fridge compartment while your refrigerator cools down. Such formation is normal as a result of the cooling system. The frost formation is defrosted by performing automatic defrosting with certain intervals thanks to the automatic defrosting system of the rear wall. User is not required to scrape the frost or remove the water drops.

Water resulting from the defrosting passes from the water collection groove and flows into the evaporator through the drain pipe and evaporates here by itself.

Deep freezer compartment does not perform automatic defrosting in order to prevent decaying of the frozen food.

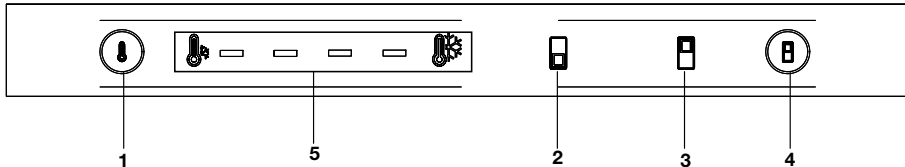
The freezer compartment defrosts automatically.

Check regularly to see if the drain pipe is clogged or not and clear it with the stick in the hole when necessary.



## Using the product

### 5.7. Indicator panel



- 1. Key For Changing the Cooling Value:** It is used to adjust the cooling value of the fridge and freezer compartments. If you press this key while the freezer compartment indicator (2) is on, cooling of the freezer compartment will change. If you press this key while the fridge compartment indicator (3) is on, cooling of the fridge compartment will change.
- 2. Freezer Compartment Indicator:** When this indicator is on, current cooling value of the Freezer compartment will be displayed on the cooling indicator (5). You can press the Key for Changing the Cooling Value (1) to change the cooling value of the freezer compartment.
- 3. Fridge Compartment Indicator:** When this indicator is on, current cooling value of the Fridge compartment will be displayed on the cooling indicator (5). You can press the Key for Changing the Cooling Value (1) to change the cooling value of the fridge compartment.
- 4. Compartment Selection Key:** It is used to select fridge and freezer compartments.
- 5. Cooling Indicator:** It shows the cooling value of the selected compartment. Cooling value increased from left to right.

### May not be available in all models



**\*Optional:** The figures in this user guide are intended as drafts and may not perfectly match your product. If your product does not comprise the relevant parts, the information pertains to other models.

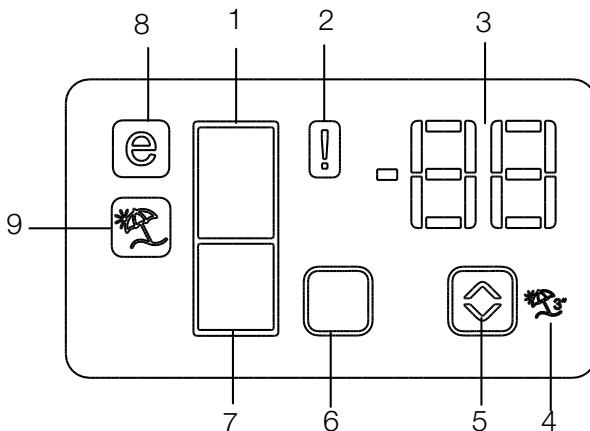


## Using the product

### 5.8. Indicator panel

Indicator panels may vary according to the product model.

Audio – visual functions on the indicator panel helps you in using your product.



1. Fridge Compartment Indicator

- 2. Error status indicator
- 3. Temperature indicator
- 4. Vacation function button
- 5. Temperature setting button
- 6. Compartment selection button
- 7. Freezer compartment indicator
- 8. Economy mode indicator
- 9. Vacation function indicator

**\*optional**

1. Fridge compartment indicator

**May not be available in all models**



**\*Optional:** The figures in this user guide are intended as drafts and may not perfectly match your product. If your product does not comprise the relevant parts, the information pertains to other models.

## Using the product

Fridge compartment light is illuminated while the fridge compartment temperature is set.

### 2. Error status indicator

If your refrigerator does not perform enough cooling or in case of a sensor fault, this indicator is activated. When this indicator is activated, "E" is displayed on the freezer compartment temperature indicator, and numbers such as "1,2,3..." are displayed on the fridge compartment temperature indicator. These numbers on the indicator inform service personnel about the error.

### 3. Temperature indicator

Indicates freezer, fridge compartment temperature.

### 4. Vacation function button

Press on Vacation Button for 3 seconds to activate this function. When the vacation function is activated, "- -" is displayed on the fridge compartment temperature indicator and no active cooling is performed on the fridge compartment. It is not suitable to keep the food in the fridge compartment when this function is activated. Other compartments shall be continued to be cooled as per their set temperature.

To cancel this function press **Vacation** button again.

### 5. Temperature setting button

Changes the temperature of the relevant compartment between -24°C... -18°C and 8°C...1°C.

### 6. Compartment selection button

Selection button: Press compartment selection button to switch between fridge and freezer compartments.

### 7. Freezer compartment indicator

Fridge compartment light is illuminated while the freezer compartment temperature is set.

### 8. Economy mode indicator

Indicates that the refrigerator operates in energy saving mode. This display shall be activated if the freezer compartment temperature is set to -18°C.

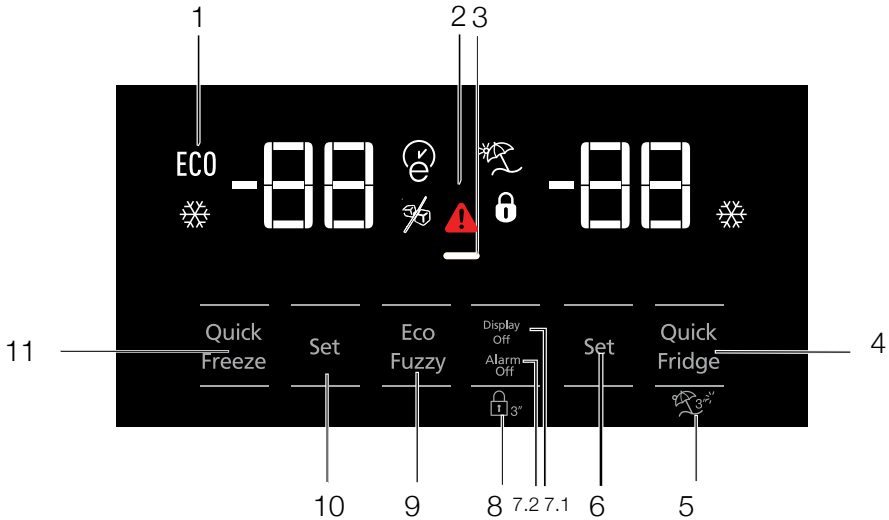
### 9. Vacation function indicator

Indicates that vacation is activated.

## Using the product

### 5.9. Indicator panel

This touch-control indicator panel allows you to set the temperature without opening the door of your refrigerator. Just touch the relevant button with your finger to set the temperature.



- 1- Economic use
- 2- High temperature / fault alert
- 3- Energy saving function (display off)
- 4- Rapid cooling
- 5- Vacation function
- 6- Cooler compartment temperature setting
- 7- Energy saving (display off) / Alarm off warning
- 8- Keypad lock
- 9- Eco-fuzzy
- 10- Freezer compartment temperature setting
- 11- Rapid freezing

**May not be available in all models**



**\*Optional:** The figures in this user guide are intended as drafts and may not perfectly match your product. If your product does not comprise the relevant parts, the information pertains to other models.

## Using the product

### 1. Economic use

This sign will light up when the freezer compartment is set to  $-18^{\circ}\text{C}$ , the most economical setting. (ECO) Economic use indicator will turn off when rapid cooling or rapid freezing function is selected.

### 2. High temperature / fault alert

This indicator (🔴) will light up in case of temperature faults or fault alerts. This indicator illuminates during power failure, high temperature failures and error warnings. During sustained power failures, the highest temperature that the freezer compartment reaches will flash on the digital display. After checking the food located in the freezer compartment press the alarm off button to clear the warning.

### 3. Energy saving function (display off)

If the product doors are kept closed for a long time energy saving function is automatically activated and energy saving symbol is illuminated. When energy saving function is activated, all symbols on the display other than energy saving symbol will turn off. When the Energy Saving function is activated, if any button is pressed or the door is opened, energy saving function will be cancelled and the symbols on display will return to normal.

Energy saving function is activated during delivery from factory and cannot be cancelled.

### 4. Rapid cooling

When the rapid cooling function is turned on, the rapid cool indicator will light up (❄️) and the cooler compartment temperature indicator will display the value 1. Push the Rapid cool button again to cancel this function. The Rapid cool indicator will turn off and return to normal setting. The rapid cooling function will be automatically cancelled after 1 hour, unless cancelled by the user. Too cool a large amount of fresh food, press the rapid cool button before placing the food in the cooler compartment.

### 5. Vacation function

To activate the Vacation function, press the button for (🏠) 3 seconds; this will activate the vacation mode indicator (🏠). When the Vacation function is active, the cooler compartment temperature indicator displays the inscription "- -" and no cooling process will be active in the cooling compartment. This function is not suitable to keep food in the cooler compartment. Other compartments will remain cooled with the respective temperature set for each compartment.

Push the **vacation function** button again to cancel this function

### 6. Cooler compartment temperature setting

After pressing the button, the cooler compartment temperature can be set to 8,7,6,5,4,3,2 and 1 respectively. (🔢)

#### 7.1. Energy saving (display off)

Pressing this button (🔴) will light up the energy saving sign (🔴) and the Energy-saving function will activate. Activating the energy-saving function will turn off all other signs on the display. When the energy-saving function is active, pressing any button or opening the door will deactivate the energy-saving function and the display signals will return to normal. Pressing this button (🔴) again will turn off the energy-saving sign and deactivate the energy-saving function.

#### 7.2. Alarm off warning:

In case of power failure/high temperature alarm, after checking the food located in the freezer compartment press the alarm off button to clear the warning.

### 8. Keypad lock

Press the keypad lock button (🔒) simultaneously for 3 seconds. The keypad lock sign

(🔒) will light up and the keypad lock will be activated. The buttons will be inactive when the Keypad lock is activated. Press the Keypad lock button again simultaneously for 3 seconds. The keypad lock sign will turn off and the keypad lock mode will be disengaged.

Press the **keypad lock** button (🔒) to prevent changing the refrigerator's temperature settings.

### 9. Eco-fuzzy

To activate the eco-fuzzy function, press and hold the eco-fuzzy button for 1 second. When this function is active, the freezer will switch to the economic mode after at least 6 hours and the economic use indicator will light up. To deactivate the (🌀) eco-fuzzy function, press and hold the eco-fuzzy function button for 3 seconds.

The indicator will light up after 6 hours when the eco-fuzzy function is active.

### 10. Freezer compartment temperature setting

The temperature in the freezer compartment is adjustable. Pressing the button will enable the freezer compartment temperature to be set at -18, -19, -20, -21, -22, -23 and -24. (🔢)

## Using the product

---

### 11. Rapid freezing

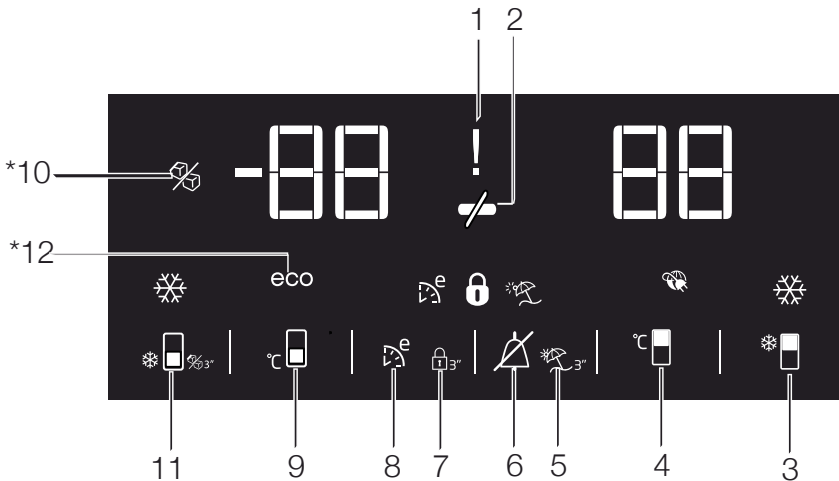
For rapid freezing, press the button; this will activate the rapid freezing indicator (❄️).

When the rapid freezing function is turned on, the rapid freeze indicator will light up and the freezer compartment temperature indicator will display the value -27. Press the Rapid freeze button (❄️) again to cancel this function. The Rapid freeze indicator will turn off and return to normal setting. The rapid freezing function will be automatically cancelled after 24 hours, unless cancelled by the user. To freeze a large amount of fresh food, press the rapid freeze button before placing the food in the freezer compartment.

## Using the product

### 5.10. Indicator panel

Indicator panel allows you to set the temperature and control the other functions related to the product without opening the door of the product. Just press the inscriptions on relevant buttons for function settings.



#### 1. Power failure/High temperature / error warning indicator

This indicator (1) illuminates during power failure, high temperature failures and error warnings. During sustained power failures, the highest temperature that the freezer compartment reaches will flash on the digital display. After checking the food located in the freezer compartment (2) press the alarm off button to clear the warning.

#### 2. Energy saving function (display off):

If the product doors are kept closed for a long time energy saving function is automatically activated and energy saving symbol is illuminated. (3)

When energy saving function is activated, all symbols on the display other than energy saving symbol will turn off. When the Energy Saving function is activated, if any button is pressed or the door is opened, energy saving function will be canceled and the symbols on display will return to normal.

Energy saving function is activated during delivery from factory and cannot be canceled.

#### 3.Quick fridge function

The button has two functions. To activate or deactivate the quick cool function press it briefly. Quick Cool indicator will turn off and the product will return to its normal settings. (4)

- |  |   |
|--|---|
|  | Use quick cooling function when you want to quickly cool the food placed in the fridge compartment. If you want to cool large amounts of fresh food, activate this function before putting the food into the product. |
|  | If you do not cancel it, quick cooling will cancel itself automatically after 8 hours or when the fridge compartment reaches to the required temperature.   |

### May not be available in all models



**\*Optional:** The figures in this user guide are intended as drafts and may not perfectly match your product. If your product does not comprise the relevant parts, the information pertains to other models.

## Using the product



If you press the quick cooling button repeatedly with short intervals, the electronic circuit protection will be activated and the compressor will not start up immediately.



This function is not recalled when power restores after a power failure.

### 4. Fridge compartment temperature setting button

Press this button to set the temperature of the fridge compartment to 8, 7,6, 5,4,3, 2, 8... respectively. Press this button to set the fridge compartment temperature to the desired value.

### 5. Vacation Function

In order to activate vacation function, press the this button for 3 seconds, and the vacation mode indicator will be activated. When the vacation function is activated, “-” is displayed on the fridge compartment temperature indicator and no active cooling is performed on the fridge compartment. It is not suitable to keep the food in the fridge compartment when this function is activated. Other compartments shall be continued to be cooled as per their set temperature.

To cancel this function press **Vacation function** button again.

### 6. Alarm off warning:

In case of power failure/high temperature alarm, after checking the food located in the freezer compartment press the alarm off button to clear the warning.

### 7. Key lock

Press key lock button simultaneously for 3 seconds. Key lock symbol will light up and key lock mode will be activated. Buttons will not function if the Key lock mode is active. Press key lock button simultaneously for 3 seconds again. Key lock symbol will turn off and the key lock mode will be exited.

Press the **key lock** button if you want to prevent changing of the temperature setting of the refrigerator .

### 8. Eco fuzzy

Press and hold eco fuzzy button for 1 seconds to activate eco fuzzy function. Refrigerator will start operating in the most economic mode at least 6 hours later and the economic usage indicator will turn on when the function is active . Press and hold eco fuzzy function button for 3 seconds to deactivate eco fuzzy function.

This indicator is illuminated after 6 hours when eco fuzzy is activated.

### 9. Freezer compartment temperature setting button

Press this button to set the temperature of the freezer compartment to -18,-19,-20,-21, -22, -23,-24, -18... respectively. Press this button to set the freezer compartment temperature to the desired value.

### 10. Icematic off indicator

Indicates whether the icematic is on or off. If On, then the icematic is not operating. To operate the icematic again press and hold the On-Off button for 3 seconds.



Water flow from water tank will stop when this function is selected. However, ice made previously can be taken from the icematic.

### 11. Quick freeze function button/ icematic on-off button

Press this button to activate or deactivate the quick freezing function. When you activate the function, the freezer compartment will be cooled to a temperature lower than the set value.

To turn on and off the icematic press and hold it for 3 seconds.



Use the quick freeze function when you want to quickly freeze the food placed in fridge compartment. If you want to freeze large amounts of fresh food, activate this function before putting the food into the product.



If you do not cancel it, Quick Freeze will cancel itself automatically after 4 hours or when the fridge compartment reaches to the required temperature.

## Using the product



This function is not recalled when power restores after a power failure.

### 12. Economic usage indicator

Indicates that the product is running in energy-efficient mode. (**eco**) This indicator will be active if the Freezer Compartment temperature is set to -18 or the energy efficient cooling is being performed due to Eco-Extra function.

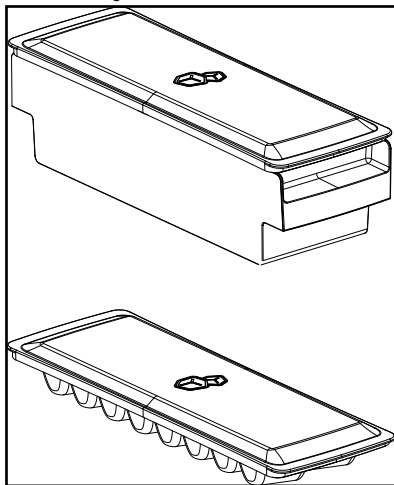


Economic usage indicator is turned off when quick cooling or quick freeze functions are selected.

### 5.11. Ice bucket

#### \*optional

- Take the ice bucket from the freezer compartment.
- Fill the ice bucket with water.
- Place the ice bucket into the freezer compartment.
- The ice will be ready after approximately two hours. Take the ice bucket from the freezer compartment and bend it slightly over the holder that you are going to serve. Ice will easily pour into the serving holder.



### 5.12. Eggholder

You can put the eggholder on the door or body rack of your choice. If you decide to put it on the body rack, it is recommended to prefer the shelves below as they are colder.

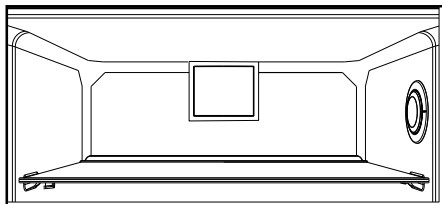


Do not put the eggholder into the freezer compartment.

### 5.13. Fan

Fan was designed to distribute circulate the cold air inside your refrigerator homogeneously. Operating time of the fan might vary depending the features of your product.

While in some products fan only operates with compressor, in others control system determines the operating time based on the need for cooling.



### 5.14. Vegetable bin

#### \*optional

Product's vegetable bin is designed to keep vegetables fresh by preserving humidity. For this purpose, the overall cold air circulation is intensified in the vegetable bin.

### 5.15. Zero degree compartment

#### \*optional

Use this compartment to keep delicatessen at lower temperatures or meat products for immediate consumption.

Zero degree compartment is the coolest place where foods such as dairy products, meat, fish and chicken can be stored in ideal storage conditions. Vegetables and/or fruits should not be stored in this compartment.



## Using the product

### 5.16. Using the second crisper of the product;



**Figure 1.**

As shown in the figure, there are 2 stoppers in the second crisper of K70560 model product.



**Figure 2.**

The second crisper looks like Figure 2 when closed.



**Figure 3.**

With the door is open 90°, pull the second crisper up to the first stopper as shown in Figure 3.

In the case that the drawer is more open, first of all, open the door by at least 135° degrees. After that, as shown in Figure 4, lift the second crisper for about 5 mm so that it is freed from the first stopper.



**Figure 4.**

After lifting, pull the second drawer up to the second stopper as shown in Figure 5.



**Figure 5.**

## Using the product

### 5.17. Moving door rack

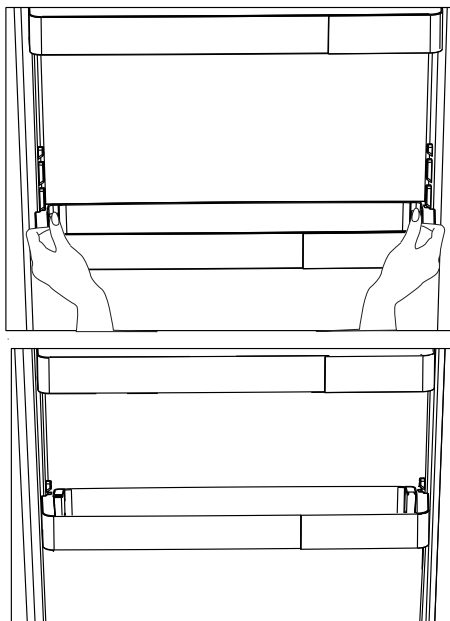
#### **\*optional**

Moving door rack can be fixed in 3 different positions.

In order to move the rack, push the buttons on the side evenly. Rack will be movable.

Move the rack up or down.

When the rack is in the position that you want, release the buttons. Rack will be fixed again in the position where you have released the buttons.

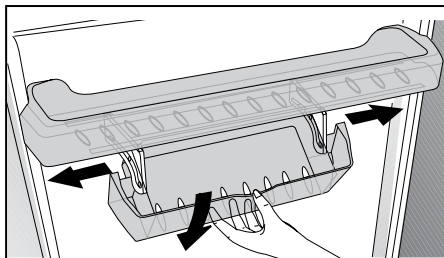


### 5.18. Sliding storage box

#### **\*optional**

This accessory has been designed to increase the usage volume of the door racks.

Thanks to its ability to move sideways, it enables you to easily place long bottle, jar or boxes that you put in the bottle rack below.



### 5.19. Deodoriser Module

#### **(FreshGuard) \*optional**

The deodoriser module quickly eliminates the bad smells in your refrigerator before they permeate the surfaces. Thanks to this module, which is placed on the ceiling of the fresh food compartment, the bad odours dissolve while the air is actively being passed on the odour filter, then the air that has been cleaned by the filter is re-emitted to the fresh food compartment. This way, the unwanted odours that may emerge during the storage of foods in the refrigerator are eliminated before they permeate the surfaces.

This is achieved thanks to the fan, LED and the odour filter integrated into the module. In daily use, the deodoriser module will turn on automatically on a periodic basis. To maintain efficient performance, it is recommended to have the filter in the deodoriser module by the authorised service provider every 5 years. Due to the fan integrated into the module, the noise you will hear during operation is normal. If you open the door of the fresh food compartment while the module is active, the fan will pause temporarily and resume where it has left off after some time the door is closed again. In case of power failure, the deodoriser module will resume where it has left off in the total operation duration once the power is back.

Info: It is recommended to store aromatic foods (such as cheese, olives and delicatessen foods) in their packaging and sealed to avoid bad odours that may result when smells of various foods get mixed. Besides, it is recommended to take spoiled foods out of the refrigerator quickly to prevent the other foods from getting spoiled and avoid bad odours.

## Using the product

### 5.20. Moisture controlled vegetable bin

#### \*optional

With moisture control feature, moisture rates of vegetables and fruits are kept under control and ensures a longer freshness period for foods.

It is recommended to store leafed vegetables such as lettuce and spinach and similar vegetables prone to moisture loss not on their roots but in horizontal position into the vegetable bin as much as possible.

When placing the vegetables, place heavy and hard vegetables at the bottom and light and soft ones on the top, taking into account the specific weights of vegetables.

Do not leave vegetables in the vegetable bin in plastic bags. Leaving them in plastic bags causes vegetables to rot in a short time. In situations where contact with other vegetables is not preferred, use packaging materials such as paper that has a certain porosity in terms of hygiene.

Do not put fruits that have a high ethylene gas production such as pear, apricot, peach and particularly apple in the same vegetable bin with other vegetables and fruits. The ethylene gas coming out of these fruits might cause other vegetables and fruits to mature faster and rot in a shorter period of time.

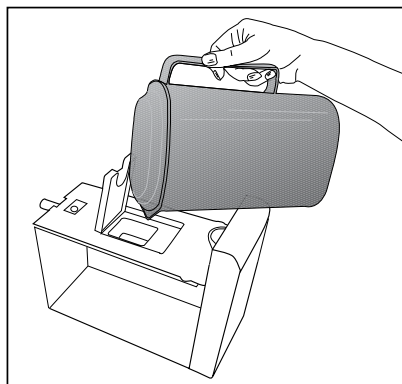
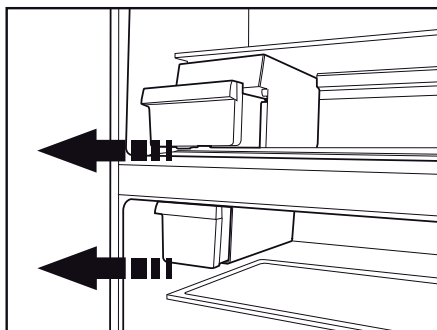
### 5.21. Automatic ice machine

#### \*optional

Automatic ice machine enables you to easily make ice in your refrigerator. In order to obtain ice from the ice machine, take out the water tank in the cooler compartment, fill it with water and fix it back. First ice will be ready in about 2 hours in the ice machine drawer in the cooler compartment. After placing the full water tank, you can obtain about 60-70 cubes of ice until it is fully empty. If the water in the tank has waited for 2-3 weeks, it should be changed.



In products with automatic ice machine, you might hear a sound when pouring the ice. This sound is normal and is not a sign of failure.



## Using the product

### 5.22. Icematic and ice storage container

**\*optional**

#### Using the Icematic

Fill the Icematic with water and place it into its seat. Your ice will be ready approximately in two hours. Do not remove the Icematic from its seating to take ice. Turn the knobs on the ice reservoirs clockwise by 90 degrees.

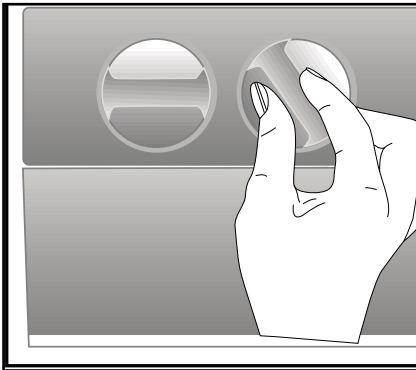
Ice cubes in the reservoirs will fall down into the ice storage container below.

You may take out the ice storage container and serve the ice cubes.

If you wish, you may keep the ice cubes in the ice storage container.

#### Ice storage container

Ice storage container is only intended for accumulating the ice cubes. Do not put water in it. Otherwise, it will break.



### 5.23. Using the water dispenser

**\*optional**

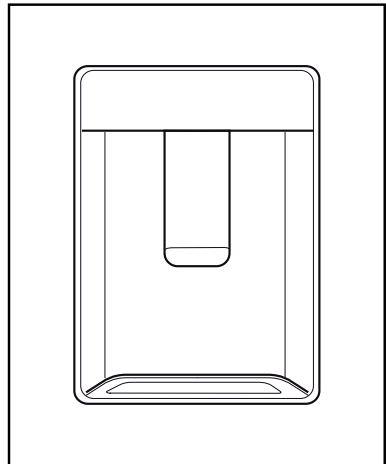


It is normal for the first few glasses of water taken from the dispenser to be warm.



If the water dispenser is not used for a long period of time, dispose of first few glasses of water to obtain fresh water.

1. Push in the lever of the water dispenser with your glass. If you are using a soft plastic cup, pushing the lever with your hand will be easier.
2. After filling the cup up to the level you want, release the lever.



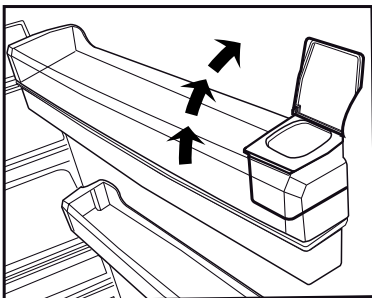
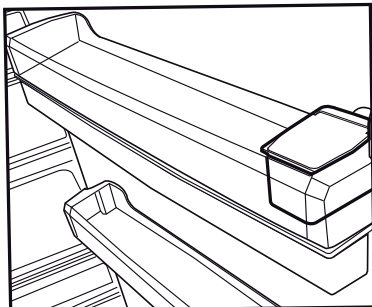
Please note, how much water flows from the dispenser depends on how far you depress the lever. As the level of water in your cup / glass rises, gently reduce the amount of pressure on the lever to avoid overflow. If you slightly press the arm, the water will drip; this is quite normal and not a failure.

## Using the product

### 5.24. Filling the water dispenser's tank

Water tank filling reservoir is located inside the door rack.

1. Open the cover of the tank.
2. Fill the tank with fresh drinking water.
3. Close the cover.



Do not fill the water tank with any other liquid except for water such as fruit juices, carbonated beverages or alcoholic drinks which are not suitable to use in the water dispenser. Water dispenser will be irreparably damaged if these kinds of liquids are used. Warranty does not cover such usages. Some chemical substances and additives contained in these kinds of drinks/liquids may damage the water tank.



Use clean drinking water only.



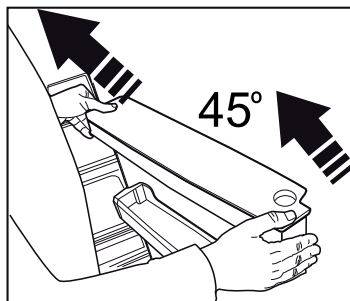
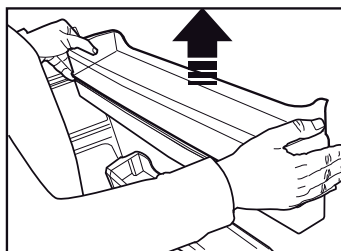
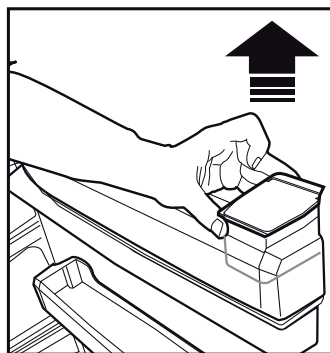
Capacity of the water tank is 3 litres; do not overfill.

### 5.25. Cleaning the water tank

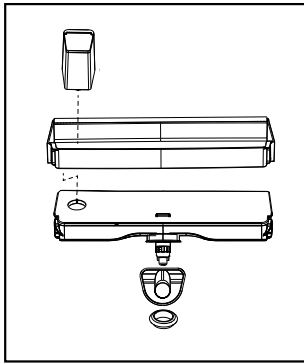
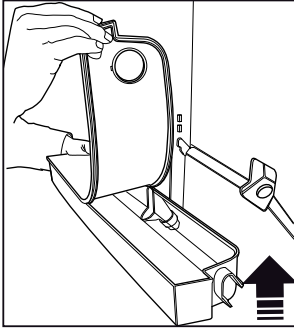
1. Remove the water filling reservoir inside the door rack.
2. Remove the door rack by holding from both sides.
3. Grab the water tank from both sides and remove it with an angle of 45°C.
4. Remove the cover of the water tank and clean the tank.



Components of the water tank and water dispenser should not be washed in dishwasher.



## Using the product

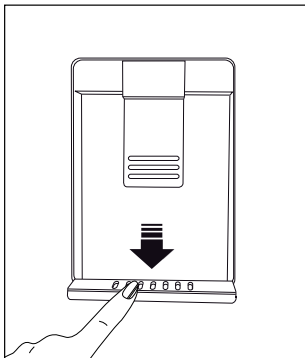


### 5.26. Drip tray

Water that dripped while using the water dispenser accumulates in the spillage tray.

Remove the plastic filter as shown in the figure.

With a clean and dry cloth, remove the water that has accumulated.



### 5.27. HerbBox/HerbFresh

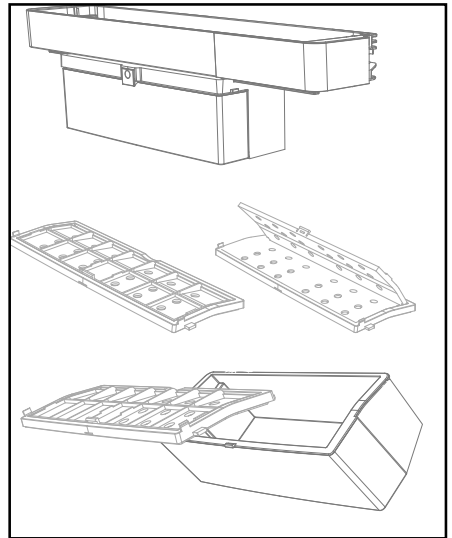
Remove the film container from HerbBox/HerbFresh+

Take the film out of the bag and put it into the film container as shown in the image.

Seal the container again and replace it into HerbBox/HerbFresh+ unit.

HerbBox-HerbFresh+ sections are especially ideal for storage of various herbs that are supposed to be kept in delicate conditions. You can store your unbagged herbs (parsley, dill, etc.) in this section horizontally and keep them fresh for a much longer period.

The film shall be replaced in every six months.



## Using the product

### 5.28. Freezing fresh food

- To preserve food quality, the food items placed in the freezer compartment must be frozen as quickly as possible, use the rapid freezing for this.
- Freezing the food items when fresh will extend the storage time in the freezer compartment.
- Pack the food items in air-tight packs and seal tightly.
- Make sure the food items are packed before putting in the freezer. Use freezer holders, tinfoil and damp-proof paper, plastic bag or similar packaging materials instead of traditional packaging paper.



Ice in the freezing compartment thaws automatically.

- Mark each food pack by writing the date on the package before freezing. This will allow you to determine the freshness of each pack every time the freezer is opened. Keep the earlier food items in the front to ensure they are used first.

- Frozen food items must be used immediately after defrosting and should not be frozen again.
- Do not freeze large quantities of food at once.

### 5.29. Recommendations for storing frozen foods

The compartment must be set to at least  $-18^{\circ}\text{C}$ .

1. Place the food items in the freezer as quickly as possible to avoid defrosting.
2. Before freezing, check the "Expiry Date" on the package to make sure it is not expired.
3. Make sure the food's packaging is not damaged.

Freezer Compartment Temperature Setting	Cooler Compartment Temperature Setting	Details
$-18^{\circ}\text{C}$	$4^{\circ}\text{C}$	This is the default, recommended setting.
$-20, -22$ or $-24^{\circ}\text{C}$	$4^{\circ}\text{C}$	These settings are recommended for ambient temperatures exceeding $30^{\circ}\text{C}$ .
Quick Freeze	$4^{\circ}\text{C}$	Use when you want to freeze your food in a short time. When the process ends, the product will regain its position.
$-18^{\circ}\text{C}$ or colder	$2^{\circ}\text{C}$	Use these settings if you believe the cooler compartment is not cold enough due to ambient temperature or frequently opening the door.

## Using the product

### 5.30. Deep freezer details

As per the IEC 62552 standards, the freezer must have the capacity to freeze 4,5 kg of food items at -18°C or lower temperatures in 24 hours for each 100 litres of freezer compartment volume.

Food items can only be preserved for extended periods at or below temperature of -18°C .

You can keep the foods fresh for months (in deep freezer at or below temperatures of 18°C).

The food items to be frozen must not contact the already-frozen food inside to avoid partial defrosting.

Boil the vegetables and filter the water to extend the frozen storage time. Place the food in air-tight packages after filtering and place in the freezer.

Bananas, tomatoes, lettuce, celery, boiled eggs, potatoes and similar food items should not be frozen. In case this food rots, only nutritional values and eating qualities will be negatively affected. A rotting threatening human health is not in question.

### 5.31. Placing the food

Freezer compartment shelves	Various frozen goods including meat, fish, ice cream, vegetables etc.
Cooler compartment shelves	Food items inside pots, capped plate and capped cases, eggs (in capped case)
Cooler compartment door shelves	Small and packed food or beverages
Vegetable bin	Fruits and vegetables
Fresh food compartment	Delicatessen (breakfast food, meat products to be consumed in short notice)

### 5.32. Door open alert

#### (Optional)

An audible alert will be heard if the product's door remains open for at least 1 minute. The audible alert will stop when the door is closed or any button on the display (if available) is pressed.

Door open alert is indicated to the user both audibly and visually. Interior lighting will turn off if the warning continues for 10 min.

### 5.33. Changing the opening direction of the door

You can change the direction of opening of your refrigerator depending on the location where you use it. When you need this, consult the closest Authorized Service.

The explanation above is a general statement. You should check the warning tag located inside the product package about the changeability of direction of the door.

### 5.34. Interior light

Interior light uses a LED type lamp. Contact the authorized service for any problems with this lamp. Lamp(s) used in this appliance cannot be used for house lighting. Intended use of this lamp is to help the user place food into the refrigerator / freezer safely and comfortably.



Service life of the product will extend and frequently encountered problems will decrease if the product is cleaned periodically.



**WARNING:** Switch off the product before cleaning.



**WARNING:** It is recommended to clean the condenser every six months using gloves. You must not use vacuum cleaners.

- Never use gasoline, benzene or similar substances for cleaning purposes.
- Never use any sharp abrasive instruments, soap, household cleaners, detergent or wax polish for cleaning.
- Dissolve one teaspoon of carbonate in half liter of water. Soak a cloth in the solution and wring it thoroughly. Wipe the interior of the refrigerator with this cloth and the dry thoroughly.
- Make sure that no water enters the lamp housing or other electrical parts.
- If you will not use the refrigerator for a long time, unplug it, remove all food inside, clean it and leave the door ajar.
- Check regularly that the door gaskets are clean. If not, clean them.
- Take out all items in the product to remove the door and body shelves.
- Remove the door shelves by pulling them up. Slide the shelves downwards to re-install them after cleaning.
- Never use chloric cleaning agents or water to clean outer surfaces or chrome-coated parts of the product. Chlorine causes abrasion on such metal surfaces.
- For non-No Frost products, water drops and frosting up to a fingerbreadth occur on the rear wall of the Fridge compartment. Do not clean it; never apply oil or similar agents on it.
- Only use slightly damp microfiber cloths to clean the outer surface of the product. Sponges and other types of cleaning cloths may scratch the surface.

### 6.1. Avoiding Bad Odours

Materials that may cause odour are not used in the production of our refrigerators. However, odour may be emitted if foods are stored improperly or if the inner surface of the product is not cleaned as required. Please consider the following to avoid this problem:

- It is important that the refrigerator is kept clean. Food residuals, stains, etc. can cause odour. For this reason, clean your refrigerator with carbonate solved in water every 15 days. Never use detergents or soap.
- Keep your foods in closed vessels. Microorganisms emitted from vessels without a cover may cause unpleasant odours.
- Never keep expired or spoiled foods in your refrigerator.

### 6.2. Protection of plastic surfaces

Do not put liquid oils or oil-cooked meals in your refrigerator in unsealed containers as they damage the plastic surfaces of your refrigerator. If oil is spilled or smeared onto the plastic surfaces, clean and rinse the relevant part of the surface with warm water immediately.

### 6.3. Cleaning the Inner Surface

To clean the inner surfaces and all removable parts, wash them with a mild solution comprising soap, water and carbonate. Rinse and dry thoroughly. Prevent the water from contacting the lighting means and control panel.



#### ATTENTION:

Do not use vinegar, rubbing alcohol or other alcohol-based cleaning agents on any of the inner surfaces.

### 6.4. Stainless Steel Outer Surfaces

Use a stainless steel cleaning agent that is non-abrasive and apply it with a lint-free, soft cloth. For polishing, wipe the surface softly with a damp microfiber cloth and use dry wash-leather. Always follow the strands of the stainless steel.

### 6.5. Cleaning Products with Glass Doors

Remove the protection foil on the glass.

There is a coating on the surface of the glass. This coating minimises stain formation and ensures that stains and dirt are cleaned easily. Glasses that are not protected by a coating might be exposed to permanent bonding of organic or inorganic, air or waterborne pollutants such as limescale, mineral salts, unburned hydrocarbons, metal oxides and silicones, which lead to stains and physical damage in a short time. Despite regular washing, the glass becomes very hard to keep clean, though not impossible. As a result, the clarity and good appearance of the glass reduces. Hard and abrasive cleaning compounds and methods increase these defects even further and accelerate the deterioration process.

\*Non-alkali, non-abrasive and water-based cleaning products must be used for routine cleaning procedures. For the coating to have long service life, alkali or abrasive substances must not be used during cleaning processes.

These glasses were subject to a tempering process to increase their impact and breakage resistance.

As an additional safety measure, there is a safety film on the back surfaces of the glasses to ensure that they will not harm the environment in case of breakage.

Please review this list before calling the service. This will save you time and money. This list contains frequently encountered problems that are not results of faulty workmanship or material use. Your product may not have some of the features described here.

### The refrigerator is not operating.

- It may not be plugged in properly. >>>Plug in the product properly.
- The fuse of the socket to which your refrigerator is connected or the main fuse may have blown. >>>Check the fuse.

### Condensation on the side wall of the fridge compartment (MULTI ZONE, COOL CONTROL and FLEXI ZONE).

- The door may have been opened/closed frequently. >>>Do not open/close the refrigerator door frequently.
- The environment may be too humid. >>>Do not install the refrigerator at locations with a very high level of humidity.
- Foods containing liquid may have been placed into the refrigerator in vessels without covers. >>>Do not place foods containing liquid into the refrigerator in unsealed vessels.
- Door of the refrigerator may have been left ajar. >>>Do not keep the doors of your refrigerator open for a long time.
- The thermostat may have been set to a very cold level. >>>Set the thermostat to an appropriate level.

### The compressor is not operating.

- Protective thermal of the compressor will blow out during sudden power failures or plug-out plug-ins as the refrigerant pressure in the cooling system of the refrigerator has not been balanced yet. The refrigerator will start running approximately after 6 minutes. Please call the Authorised Service Provider if the refrigerator does not start at the end of this period.
- The freezer is in defrosting cycle. >>>This is normal for a refrigerator that performs full-automatic defrosting. Defrosting cycle is performed periodically.
- The refrigerator may not be plugged in. >>>Make sure that the plug fits the socket.
- Temperature settings may be incorrect. >>>Select the correct temperature value.
- Possible power failure. >>>The refrigerator will start to operate normally when power restores.

### The operation noise increases when the refrigerator is running.

- Operating performance of the refrigerator may vary based on the ambient temperature changes. This is normal and not a fault.

### The fridge is running frequently or for a long time.

- Your new product may be bigger than the previous one. Larger refrigerators operate for a longer period of time.
- The room temperature may be high. >>> It is normal that the product operates for longer periods in hot environments.
- The refrigerator may have just been plugged in or loaded with food. >>>It takes the product longer to reach the set temperature when it has just been plugged in or loaded with food. This is normal.
- Large amounts of hot food may have been placed into the refrigerator recently. >>>Do not place hot foods into the refrigerator.
- The doors may have been opened frequently or left ajar for a long time. >>>The warm air that enters the refrigerator causes it to operate for a longer period of time. Do not open the doors frequently.
- Freezer or fridge compartment door may have been left ajar. >>> Check if the doors are closed completely.
- The appliance may be set to a very low temperature. >>> Set the refrigerator temperature to a warmer degree and wait until the product reaches this temperature.
- Door seal of the fridge or freezer compartment may be soiled, worn out, broken or not properly seated. >>> Clean or replace the seal. Damaged/broken seal causes the refrigerator to run for a longer period of time to maintain the current temperature.

### Fridge temperature is adequate but the freezer temperature is very low.

- The freezer compartment temperature may be set to a very low value. >>> Set the freezer compartment temperature to a higher value and check.

### Freezer temperature is adequate but the fridge temperature is very low.

- The fridge temperature is adjusted to a very low value. >>> Adjust the fridge temperature to a higher value and check.

# Troubleshooting

## Food kept in the fridge compartment drawers is frozen.

- The fridge compartment temperature may be set to a very high value. >>> Set the fridge compartment temperature to a lower value and check.

## Temperature in the fridge or freezer is very high.

- The fridge compartment temperature may be set to a very high value. >>> Fridge compartment temperature setting has an effect on the temperature of the freezer. Change the temperature of the fridge or freezer compartment until the fridge or freezer compartment temperature reaches an adequate level.
- The doors may have been opened frequently or left ajar for a long time. >>>Do not open the doors frequently.
- The door may have been left ajar. >>>Close the door completely.
- The refrigerator may have been just plugged in or loaded with food. >>>This is normal. It takes the product longer to reach the set temperature when it has just been plugged in or loaded with food.
- Large amounts of hot food may have been placed into the refrigerator recently. >>>Do not place hot foods into the refrigerator.

## Vibration or noise.

- The floor may not be stable or level. >>>If the refrigerator shakes when moved slightly, adjust the feet to balance it. Make sure that the floor is level and capable of carrying the refrigerator.
- Objects placed onto the refrigerator may cause noise. >>>Remove the objects on the refrigerator.

## There are noises coming from the refrigerator like liquid spilling or spraying.

- Liquid and gas flows occur in accordance with the operating principles of the refrigerator. >>>This is normal and not a fault.

## Whistle is heard from the refrigerator.

- There are fans that are used to cool the refrigerator. This is normal and not a fault.

## Damp accumulates on the inner walls of refrigerator.

- Hot and humid weather increases icing and condensation. This is normal and not a fault.
- The doors may have been opened frequently or left ajar for a long time. >>>Do not open the doors frequently. Close the doors, if open.
- The door may have been left ajar. >>>Close the door completely.

## Humidity occurs on the outer surface of the refrigerator or between the doors.

- Air might be humid. This is quite normal in humid weathers. >>>Condensation will disappear when the humidity level decreases.
- There might be external condensation at the section between two doors of the refrigerator if you use your product rarely. This is normal. Condensation will disappear upon frequent use.

## There is a bad odour inside the refrigerator.

- No regular cleaning may have been performed. Clean the inside of the refrigerator with a sponge, lukewarm water or carbonated water.
- Some vessels or packaging materials may cause the odour. >>>Use another vessel, or packaging materials from another brand.
- Foods may have been placed into the refrigerator in vessels without covers. >>>Store the foods in closed vessels. Microorganisms emitted from vessels without a cover may cause unpleasant odours.
- Take out expired or spoiled foods from the refrigerator.

## The door cannot be closed.

- Food packages may be preventing the door from closing. >>> Re-locate the packages that are obstructing the door.
- The refrigerator may be unstable on the floor. >>>Adjust the refrigerator feet as required to keep the refrigerator in balance.
- The floor may not be level or solid. >>>Make sure that the floor is level and capable of carrying the refrigerator.

## Crispers are stuck.

- Foods may be touching the upper wall of the crisper. >>>Re-organise the foods in the crisper.

## If The Surface Of The Product Is Hot.

High temperatures may be observed between the two doors, on the side panels and at the rear grill while the product is operating. This is normal and does not require service maintenance!

## Fan keeps running when the door is open.

The fan may keep running when the door of the freezer is open.



**WARNING:** If you cannot eliminate the problem although you follow the instructions in this section, consult your dealer or the Authorised Service Provider. Never attempt to repair a malfunctioned product.

Stimate client,

Dorim să obțineți performanțe optime prin utilizarea produsului nostru, care a fost fabricat în unități moderne și verificat conform celor mai riguroase proceduri de control al calității.

În acest scop, înainte de a utiliza produsul, vă rugăm să citiți manualul de utilizare în întregime și să-l păstrați pentru a-l consulta pe viitor. Dacă predați produsul unei alte persoane, oferiți acest manual împreună cu produsul.




### **Manualul de utilizare asigură utilizarea rapidă și sigură a produsului.**

- Citiți manualul de utilizare înainte de instalarea și utilizarea produsului.
- Respectați întotdeauna instrucțiunile aplicabile referitoare la siguranță.
- Păstrați manualul de utilizare la îndemână pentru a-l putea consulta ulterior.
- Citiți și celelalte documente furnizate împreună cu produsul.

Rețineți că instrucțiunile din acest manual se pot aplica și altor modele de produse. Acest manual precizează cu exactitate toate modificările diferitelor modele.

### **Simboluri și observații**

**Acest manual de utilizare conține următoarele simboluri:**

	Informații importante și sfaturi utile.
	Pericol de moarte și pagube materiale.
	Pericol de electrocutare.
	Ambalajul produsului este fabricat din materiale reciclabile, în conformitate cu Legislația națională privind mediul înconjurător.

## **1 Instrucțiuni privind siguranța și mediul 3**

1.1. Siguranța generală . . . . .	3
1.1.1 Avertisment HC . . . . .	5
1.1.2 Pentru modelele cu dozator de apă. . . . .	5
1.2. Domeniu de utilizare . . . . .	6
1.3. Siguranța copiilor . . . . .	6
1.4. Conformitatea cu Directiva DEEE și eliminarea deșeurilor . . . . .	6
1.5. Conformitatea cu Directiva RoHS . . . . .	6
1.6. Informațiile de pe ambalaj . . . . .	6

## **2 Frigider 7**

### **3 Instalarea 8**

3.1. Locul corect pentru montare . . . . .	8
3.2. Montarea distanțierelor din plastic . . . . .	8
3.3. Ajustarea picioarelor . . . . .	9
3.4. Conexiunea electrică. . . . .	9
3.5. Inversarea ușilor . . . . .	10
3.6. Inversarea ușilor . . . . .	11

### **4 Pregătirea 12**

4.1. Sfaturi pentru economisirea energiei . . . . .	12
4.2. Prima utilizare. . . . .	12

### **5 Utilizarea produsului 13**

5.1. Buton de reglare temperatură . . . . .	13
5.2. Congelare rapidă . . . . .	13
5.3. Funcția Vacanță. . . . .	14
5.4. Panoul de afișaj . . . . .	15
5.5. Utilizarea frigiderului . . . . .	16
5.6. Buton de reglare termostat . . . . .	17
5.7. Dezghețarea . . . . .	17
5.8. Panoul de afișaj . . . . .	18
5.9. Panou indicator. . . . .	19
5.10. Recipientul pentru gheață. . . . .	22
5.11. Suport de ouă . . . . .	22
5.12. Ventilator. . . . .	22
5.13. Compartiment de legume. . . . .	22

5.14. Compartiment de zero grade . . . . .	22
5.15. Folosirea celui de-al doilea compartiment pentru legume al produsului; . . . . .	23
5.16. Raft de ușă mobil. . . . .	24
5.17. Cutii de stocare glisante . . . . .	24
5.18. Modul de dezodorizare . . . . .	24
5.19. Controlul umidității în compartimentul de legume . . . . .	25
5.20. Aparat automat de gheață . . . . .	25
5.21. Aparatul Icematic și recipientul de depozitare a gheții. . . . .	26
5.22. Dozatorul de apă . . . . .	26
5.23. Utilizarea dozatorului de apă. . . . .	26
5.24. Curățarea rezervorului de apă. . . . .	28
5.25. Tava pentru apă. . . . .	29
5.26. Congelarea alimentelor proaspete. . . . .	30
5.27. Recomandări pentru depozitarea alimentelor congelate . . . . .	30
5.28. Detalii despre congelator . . . . .	31
5.29. Introducerea alimentelor. . . . .	31
5.30. Alarmă de ușă deschisă. . . . .	31
5.31. Schimbarea direcției de deschidere a ușii . . . . .	31
5.32. Bec interior . . . . .	31





### **6 Întreținerea și curățarea 32**

6.1. Evitarea mirosurilor urât mirositoare. . . . .	32
6.2. Protejarea suprafețelor din plastic . . . . .	32
6.3. Geamuri din sticlă . . . . .	32

### **7 Depanare 33**

Această secțiune descrie instrucțiunile de siguranță necesare pentru a împiedica riscul de vătămare corporală și pagubele materiale. Nerespectarea acestor instrucțiuni va anula toate tipurile de garanție a produsului.

### Domeniu de utilizare

	<b>AVERTISMENT:</b> Mentineți duzele de ventilație, din carcasa echipamentului sau din structura integrată, neblocați.
	<b>AVERTISMENT:</b> Nu utilizați dispozitive medicale sau alte mijloace pentru a accelera procesul de decongelare decât cele recomandate de producător.
	<b>AVERTISMENT:</b> Nu deteriorați circuitul de agent frigorific.
	<b>AVERTISMENT:</b> Nu utilizați echipamente electrice în interiorul compartimentelor de depozitare a alimentelor ale echipamentului, dacă acestea nu sunt de tipul recomandat de producător.

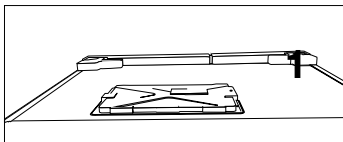
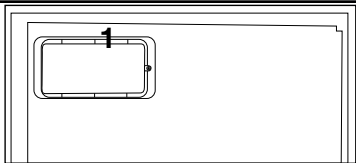
Acest echipament este făcut pentru a fi folosit pentru aplicații domestice sau similare, precum:

- chicinețe pentru angajați în magazine, birouri sau alte medii de lucru;
- ferme și de către clienți în hoteluri, moteluri și alte medii rezidențiale;
- medii de tip pensiune;
- catering și aplicații care nu țin de vânzarea cu amănuntul asemănătoare.

### 1.1. Siguranța generală

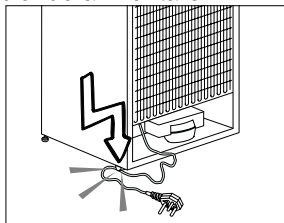
- Acest produs nu este destinat utilizării de către persoane având capacități fizice, senzoriale și mentale reduse, fără cunoștințe suficiente sau fără experiență, sau de către copii. Aparatul poate fi utilizat de aceste persoane numai dacă sunt supravegheate și dacă au fost instruite de o persoană responsabilă pentru siguranța lor. Nu lăsați copiii să se joace cu acest aparat.
- În caz de funcționare necorespunzătoare, scoateți aparatul din priză.
- După scoaterea aparatului din priză, așteptați cel puțin 5 minute înainte de a-l introduce din nou în priză.
- Scoateți aparatul din priză când nu îl utilizați.
- Nu atingeți priza dacă aveți mâinile umede! Nu trageți de cablu când scoateți aparatul din priză, țineți întotdeauna de ștecăr.
- Nu introduceți frigiderul în priză dacă duza este slăbită.
- Scoateți aparatul din priză în timpul instalării, întreținerii, curățării și reparării.
- Dacă produsul nu se va utiliza o anumită perioadă de timp, scoateți aparatul din priză și scoateți toate alimentele din interior.
- Nu utilizați produsul când compartimentul cu carduri cu circuite aflat în partea superioară din spate a produsului (capac cutie cu carduri electrice) (1) este deschis.

## Instrucțiuni privind siguranța și mediul



- Nu utilizați aburi sau materiale de curățare cu aburi pentru curățarea frigiderului și topirea gheții din interior. Aburul poate intra în contact cu zonele electrificate și poate cauza scurtcircuit sau șoc electric!
- Nu spălați aparatul pulverizând sau turnând apă pe acesta! Pericol de electrocutare!
- În caz de nefuncționare, nu utilizați produsul, întrucât poate cauza șocuri electrice. Contactați centrul de service autorizat înainte de a face ceva.
- Introduceți produsul într-o priză cu împământare. Împământarea trebuie realizată de un electrician calificat.
- Dacă produsul este prevăzut cu iluminare cu leduri, contactați un centru de service autorizat pentru înlocuire sau în caz de orice probleme.
- Nu atingeți alimentele congelate dacă aveți mâinile umede! Acestea se pot lipi de mâini!
- Nu introduceți băuturi la sticlă sau la doză în congelator. Acestea pot exploda!
- Puneți lichidele în poziție verticală după ce ați închis bine capacul.

- Nu pulverizați substanțe inflamabile în apropierea aparatului. Pericol de incendiu și explozie.
- Nu păstrați materiale inflamabile și produse cu gaze inflamabile (spray-uri etc.) în frigider.
- Nu amplasați recipiente conținând lichide pe aparat. Pulverizarea apei pe o piesă electrificată poate cauza șoc electric și pericol de incendiu.
- Expunerea aparatului la ploaie, zăpadă, soare și vânt afectează siguranța sistemului electric. Atunci când mutați frigiderul, nu apucați de mâner. Mânerul se poate rupe.
- Aveți grijă să nu vă prindeți orice parte a mâinilor sau a corpului în oricare dintre piesele mobile din interiorul produsului.
- Nu călcați sau nu vă sprijiniți de ușă, sertare și alte piese similare ale frigiderului. Astfel produsul poate cădea, iar piesele se pot deteriora.
- Aveți grijă să nu vă împiedicați de cablul de alimentare.



- La amplasarea aparatului, verificați cablul de alimentare să nu fie blocat sau deteriorat.
- Nu puneți prize multiple sau prelungitoare în spatele aparatului.
- **Frigiderul dvs. Side by Side are nevoie de o conexiune la apă. Dacă nu e disponibil un robinet de**



## Instrucțiuni privind siguranța și mediul

apă încă și trebuie să chemați un instalator, nu uitați : În cazul în care casa dvs. E prevăzută cu un sistem de încălzire în pardoseală, țineți cont de faptul că , perforarea plafonului de beton ar putea avaria acest sistem de încălzire.

- Copiilor cu vârsta cuprinsă între 3 și 8 ani li se permite să încarce și să descarce aparatele frigorifice.
- Pentru a evita contaminarea alimentelor, vă rugăm să respectați următoarele instrucțiuni:
  - – Deschiderea ușii pentru perioade lungi poate cauza o creștere semnificativă a temperaturii în compartimentele aparatului.
  - – Curățați periodic suprafețele care pot intra în contact cu alimentele și sistemele de drenaj accesibile.
  - – Curățați rezervoarele de apă dacă acestea nu au mai fost folosite timp de 48 h; clătiți sistemul de apă conectat la sursă de apă dacă nu s-a consumat apă timp de 5 zile.
  - – Depozitați carnea crudă și peștele crud în recipiente potrivite în frigider, astfel încât să nu intre în contact cu alte alimente sau să picure pe acestea.
  - – Compartimentele cu alimente congelate setate la două stele sunt potrivite pentru depozitarea alimentelor pre-congelate, depozitarea sau prepararea înghețatei și obținerea cuburilor de gheață.
  - – Compartimentele setate la una, două, trei stele nu sunt potrivite pentru congelarea alimentelor

proaspete.

- – Dacă aparatul frigorific este lăsat gol pentru perioade de timp lungi, opriți-l, dezghețați-l, curățați-l, uscați-l și lăsați ușa deschisă pentru a preveni formarea mucegaiului în aparat.

### 1.1.1 Avertisment HC

Dacă produsul dvs. este echipat cu un sistem de răcire cu gaz R600a, aveți grijă să nu deteriorați sistemul de răcire și conductele în timpul utilizării și transportării aparatului. Acest gaz este inflamabil. Dacă sistemul de răcire este deteriorat, feriviți produsul de potențialele surse de incendiu și ventilați încăperea imediat.



Tipul de gaz utilizat la produsul dvs. este indicat pe eticheta amplasată în interior, pe partea stângă.

### 1.1.2 Pentru modelele cu dozator de apă

- Presiunea la racordul de alimentare cu apă rece trebuie să fie de maxim 90 psi (620 kPa). Dacă presiunea apei depășește 80 psi (550 kPa), utilizați o supapă de limitare a presiunii la sistemul dvs. de alimentare. Dacă nu știți cum să verificați presiunea apei, cereți ajutorul unui instalator profesionist.
- În cazul în care există riscul efectului de lovitură de berbec al apei în instalația dvs., utilizați întotdeauna un echipament de prevenire a efectului de lovitură de berbec al apei la instalația dvs. Consultați un instalator profesionist dacă nu sunteți siguri cu privire la

## Instrucțiuni privind siguranța și mediul

lipsa efectului de lovitură de berbec al apei în instalația dvs.

- Nu instalați pe racordul de alimentare cu apă caldă. Luați măsuri de precauție împotriva riscului de înghețare a furtunurilor. Intervalul temperaturii de funcționare a apei va fi 33°F (0,6°C) minim și 100 ° F (38°C) maxim.
- A se utiliza numai apă potabilă.

### 1.2. Domeniu de utilizare

- Acest produs a fost conceput pentru uz casnic. Acesta nu este destinat utilizării în scopuri comerciale.
- Produsul trebuie utilizat numai pentru a păstra alimente și băuturi.
- Nu păstrați în frigider produse sensibile care necesită temperaturi controlate (vaccinuri, medicație sensibilă la căldură, materiale medicale etc.).
- Producătorul nu își asumă răspunderea pentru orice deteriorare cauzată de utilizare sau manipulare incorectă.
- Piese de schimb originale vor fi furnizate timp de 10 ani, de la data cumpărării produsului.

### 1.3. Siguranța copiilor

- Nu lăsați materialele la îndemâna copiilor.
- Nu permiteți copiilor să se joace cu produsul.
- Dacă ușa este dotată cu o încuietoare, nu lăsați cheia la îndemâna copiilor.

### 1.4. Conformitatea cu Directiva DEEE și eliminarea deșeurilor

Acest produs este în conformitate cu Directiva UE privind DEEE (2012/19/UE). Produsul este prevăzut cu un simbol de clasificare pentru deșeurile de echipamente electrice și electronice (WEEE).



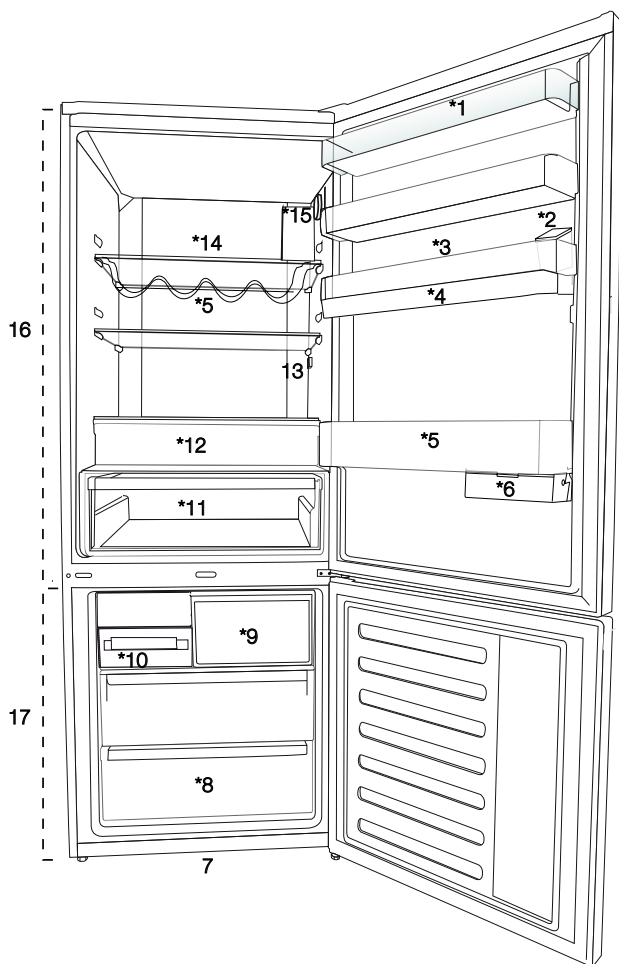
Acest produs a fost fabricat cu componente și materiale de înaltă calitate și care pot fi refolosite și sunt potrivite pentru reciclare. Nu eliminați deșeurile împreună cu deșeurile menajere normale și alte deșeurile la sfârșitul duratei de viață a produsului. Predați-l la centrul de colectare pentru reciclarea echipamentelor electrice și electronice. Consultați autoritățile locale pentru a afla despre aceste centre de colectare.

### 1.5. Conformitatea cu Directiva RoHS

- Acest produs este în conformitate cu Directiva UE privind DEEE (2011/65/UE). Acesta nu conține materiale nocive și interzise specificate în Directivă.

### 1.6. Informațiile de pe ambalaj

- Materialele de ambalare a produsului sunt fabricate din materiale reciclabile în conformitate cu Reglementările naționale privind mediul. Nu eliminați materialele de ambalare împreună cu deșeurile menajere sau alte deșeurile. Predați-le la punctele de colectare a ambalajelor desemnate de autoritățile locale.



- |   |  |
|---|--|
| 1. Raft ușă compartiment congelator         | 10. Tavă cuburi de gheață și recipient pentru gheață |
| 2. Rezervor de umplere a dozatorului de apă | 11. Compartiment de legume                           |
| 3. Compartimentul pentru ouă                | 12. Compartiment de zero grade                       |
| 4. Rezervorul dozatorului de apă            | 13. Bec interior                                     |
| 5. Raft pentru sticle                       | 14. Raft ușă compartiment congelator                 |
| 6. Cutii de stocare glisante                | 15. Buton de reglare temperatură                     |
| 7. Picioare reglabile                       | 16. Compartiment congelator                          |
| 8. Compartiment congelator                  | 17. Compartimentul congelatorului                    |
| 9. Compartiment de congelare rapidă         |  |



\*Opțional: Imaginile din acest manual de utilizare sunt schematice și este posibil să nu fie identice cu produsul dumneavoastră. Informațiile pentru componentele care nu există în dotarea produsului achiziționat de dumneavoastră se aplică pentru alte modele.

### 3.1. Locul corect pentru montare

Pentru montarea produsului, contactați service-ul autorizat. Pentru pregătirea produsului pentru montare, consultați informațiile din ghidul de utilizare și asigurați-vă că conexiunile electrice și de apă sunt corespunzătoare. Dacă nu, apelați la un electrician și instalator pentru a face aceste conexiuni corespunzătoare.

	<b>AVERTISMENT:</b> Producătorul nu își va asuma răspunderea pentru orice pagube rezultate din activitatea efectuată de către persoane neautorizate.
	<b>AVERTISMENT:</b> În timpul montării produsului, cablul de alimentare trebuie să fie deconectat. Nerespectarea acestui lucru poate cauza decesul sau vătămări grave!
	<b>AVERTISMENT:</b> Dacă lățimea ușii este prea mică pentru ca produsul să treacă prin aceasta, scoateți ușa și rotiți produsul pe o parte; dacă nici acest lucru nu funcționează, contactați service-ul autorizat.

- Plasați produsul pe o suprafață dreaptă pentru evitarea vibrațiilor.
- Plasați produsul la o distanță de cel puțin 30 cm de radiator, plită sau surse similare de căldură și la cel puțin 5 cm de cuptoare electrice.
- Nu expuneți produsul la razele solare directe sau mențineți-l în medii umede.
- Pentru funcționarea eficientă a produsului acesta necesită o circulare a aerului corespunzătoare.
- Dacă produsul va fi montat într-un chioșc, amintiți-vă să lăsați cel puțin 5 cm distanță între produs, tavan și pereți.

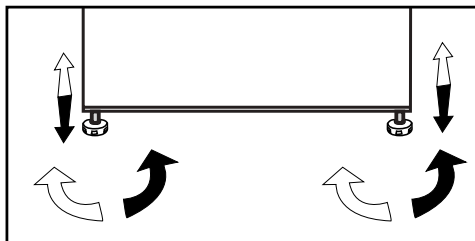
- Nu montați produsul în medii cu temperaturi sub  $-5^{\circ}\text{C}$ .

### 3.2. Montarea distanțierelor din plastic

Utilizați distanțierile din plastic furnizate împreună cu produsul pentru a furniza o distanță suficientă pentru circulația aerului între produs și perete.

**1.** Pentru montarea distanțierilor, scoateți șuruburile de pe produs și utilizați șuruburile furnizate împreună cu distanțierile.

**2.** Introduceți cei 2 distanțieri din plastic pe protecția sistemului de ventilare, conform figurii de mai jos.



## Instalarea

### 3.3. Ajustarea picioarelor

Dacă produsul nu se află în poziție de echilibru, reglați picioarele frontale prin rotirea acestora în partea stângă sau dreaptă.

### 3.4. Conexiunea electrică



**AVERTISMENT:** Nu utilizați prelungitoare sau prize multiple în conexiunea electrică.



**AVERTISMENT:** Cablul de alimentare avariat trebuie să fie înlocuit de către un service autorizat.



Atunci când plasați două frigidere în poziții adiacente, lăsați o distanță de cel puțin 4 cm între acestea.

- Compania noastră nu își va asuma răspunderea pentru orice pagube rezultate din utilizarea fără împământare și conexiune electrică neconformă cu regulamentele naționale.
- Ștecherul cablului de alimentare trebuie să fie ușor accesibil după instalare.
- Nu utilizați ștechere multiple cu sau fără prelungitoare între priza de perete și frigider.

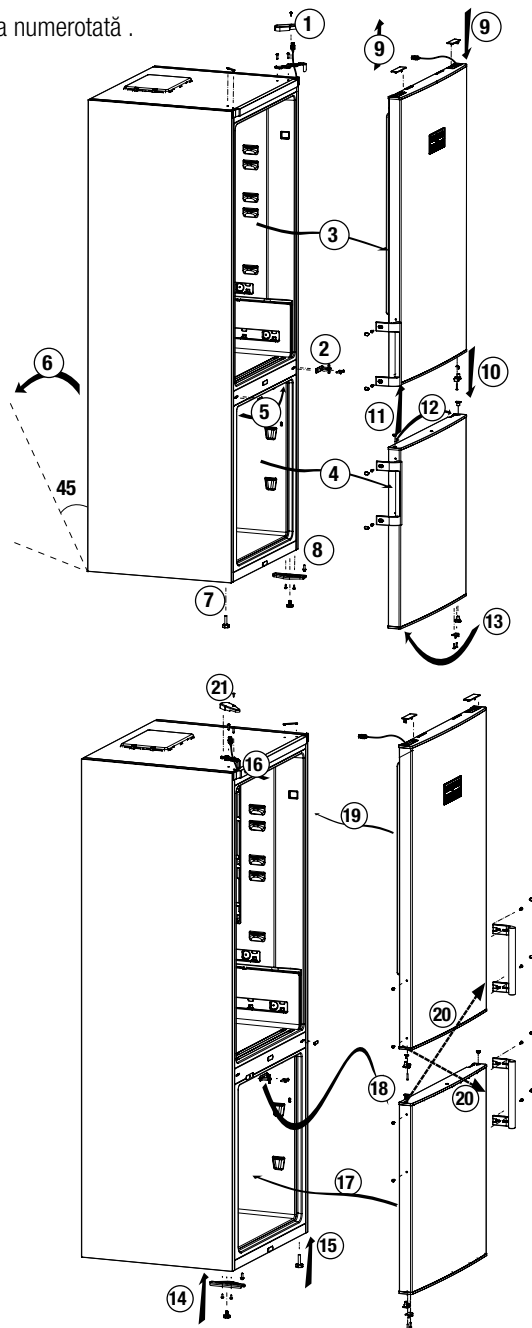


**Avertisment suprafață fierbinte**  
Pereții laterali ai produsului sunt echipați cu țevi de refrigerare pentru a ameliora sistemul de răcire. Agentul frigorific cu temperaturi înalte poate curge prin aceste zone, rezultând suprafețe fierbinți pe pereții laterali. Este normal și nu este nevoie de reparații. Fiți atenți în timp ce atingeți aceste zone.

## Instalarea

### 3.5. Inversarea ușilor

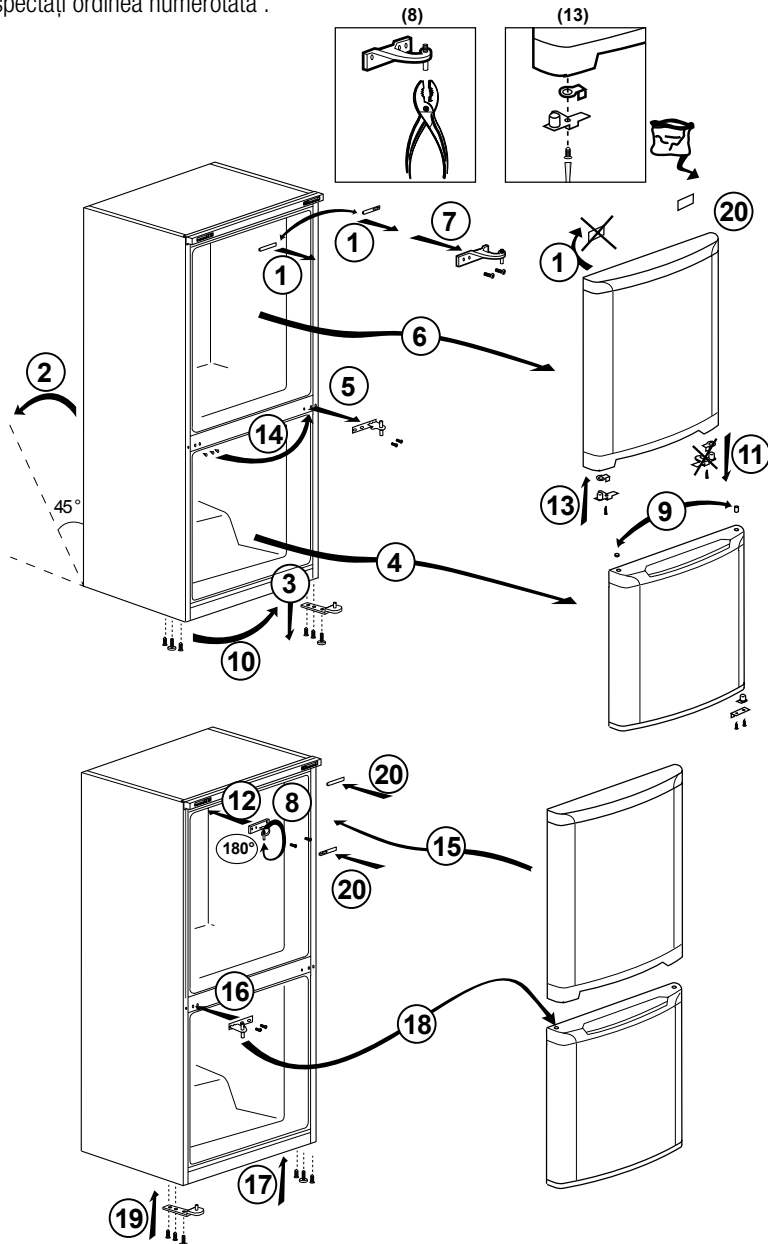
Respectați ordinea numerotată .



## Instalarea

### 3.6. Inversarea ușilor

Respectați ordinea numerotată .



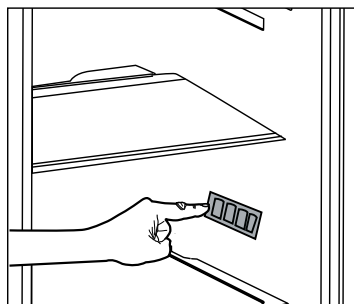
### 4.1. Sfaturi pentru economisirea energiei



Conectați produsul la sistemele de economisire a energiei electrice este periculoasă și poate cauza avarierea produsului.

- Nu mențineți ușile frigiderului deschise pentru perioade lungi de timp.
- Nu introduceți alimente calde sau băuturi în frigider.
- Nu supraîncărcați frigiderul; blocarea curentului intern de aer va reduce capacitatea de răcire.
- Pentru depozitarea cantității maxime de alimente în compartimentul de congelare al frigiderului, dumneavoastră trebuie să scoateți sertarele superioare și să introduceți raftul din sticlă. Consumul de energie declarat al frigiderului dumneavoastră a fost determinat prin scoaterea compartimentului de congelare, tăvii de gheață și a sertarelor superioare pentru a permite depozitarea maximă. În momentul depozitării, este recomandat utilizarea sertarului inferior. Funcția de economisire a energie trebuie să fie activată pentru cel mai bun consum de energie.
- Nu trebuie să blocați debitul de aer prin introducerea alimentelor în fața ventilatorului congelatorului. În momentul introducerii alimentelor, un spațiu de minim 3 cm trebuie să fie lăsat în fața grilajului de protecție al ventilatorului.
- Depinzând de caracteristicile produsului; dezghețarea alimentelor congelate în compartimentul de congelare va asigura economisire de energie și va menține calitatea alimentelor.
- Alimentele trebuie să fie depozitate utilizând sertarele din compartimentul congelatorului pentru a se asigura economisirea energiei și protejarea acestora în condiții mai bune.
- Ambalajele alimentelor nu trebuie să fie în contact direct cu senzorul de căldură localizat în congelator. Dacă acestea se află în contact cu senzorul, consumul de energie al produsului ar putea crește.

- Asigurați-vă că alimentele nu se află în contact cu senzorul de temperatură al compartimentului congelatorului descris mai jos.
- Deoarece aerul fierbinte și umed nu pătrunde direct în produs atunci când ușile nu sunt deschise, acesta se va auto-optimizeza pentru a vă proteja alimentele. Funcțiile și componentele cum ar fi compresorul, ventilatorul, încălzitorul, dezghețarea, iluminarea, afișajul etc vor funcționa conform necesității unui consum minim de energie în aceste condiții.



### 4.2. Prima utilizare

Înainte de a utiliza frigiderul, asigurați-vă că operațiunile necesare de pregătire respectă instrucțiunile aflate în secțiunile "Instrucțiuni de siguranță și mediu" și "Montaj":

- Mențineți funcționarea produsului fără alimente timp de 6 ore și nu deschideți ușa, doar dacă este absolut necesar.



Un sunet va fi auzit atunci când compresorul este angrenat. Atunci când compresorul este inactiv este normal să auziți acest sunet, datorită lichidelor și gazelor compresibile aflate în sistemul de răcire.



Marginile frontale ale produsului se pot încălzi. Acest fenomen este normal. Aceste zone sunt proiectate să se încălzească pentru prevenirea condensării.



La unele modele, panoul cu instrumente se oprește după 5 minute după ce ușa a fost închisă. Acesta va fi reactivat atunci când ușa a fost deschisă sau când o tastă este apăsată.



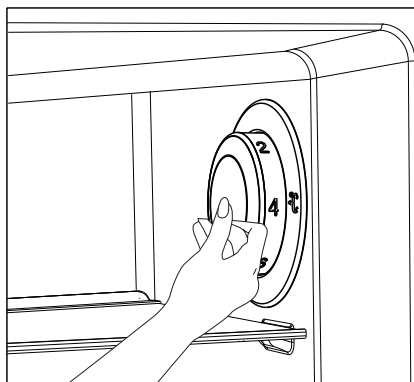
### 5.1. Buton de reglare temperatură

Temperatura internă a frigiderului variază în funcție de următoarele motive:

- Temperatura exterioară
- Deschiderea frecventă a ușii și lăsarea acesteia deschisă pentru perioade lungi,
- Preparate introduse în frigider fără a fi răcite la temperatura camerei,
- Poziția frigiderului în cameră (de ex. expunerea la razele solare).
- Temperatura internă variază datorită acestor factori poate fi reglată prin intermediul butonului de reglare.

Numerele din jurul butonului de reglare indică gradele de temperatură ca "°C".

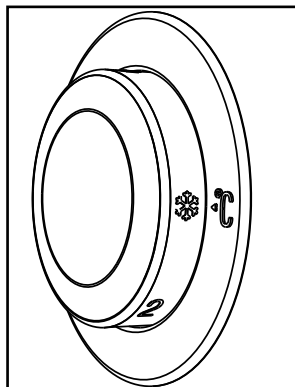
Dacă temperatura ambientală este de 20°C, este recomandat să utilizați reglarea de temperatură a frigiderului la 4°C. În alte temperaturi ambientale această valoare poate fi personalizată.



### 5.2. Congelare rapidă

Dacă dumneavoastră doriți să congelați cantități mari de alimente proaspete, comutați butonul de reglare a temperaturii în poziția (❄️) înainte de introducerea alimentelor în compartimentul de congelare rapidă.


Este recomandat să mențineți acest buton în această poziție pentru 24 de ore pentru a congela cantitatea maximă de alimente indicată ca capacitate de congelare. Fiți atenți să nu amestecați alimentele deja congelate cu cele proaspete.



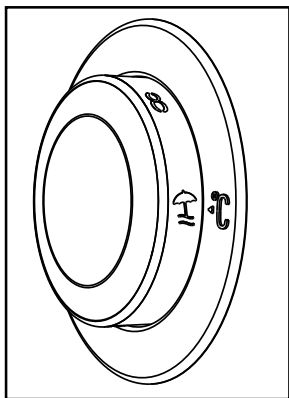
## Utilizarea produsului

Amintiți-vă să comutați butonul de reglare a temperaturii la poziția anterioară.

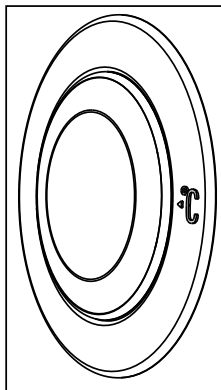
### 5.3. Funcția Vacanță

Dacă ușile produsului nu sunt (  ) deschise pentru cel puțin 12 ore după reglarea butonului de setare a temperaturii la setarea maximă, funcția Vacanță este activată automat.

Setarea butonului trebuie să fie modificată pentru a anula funcția.



Atunci când această funcție este activată, nu este recomandat să mențineți alimente în compartimentul congelatorului.



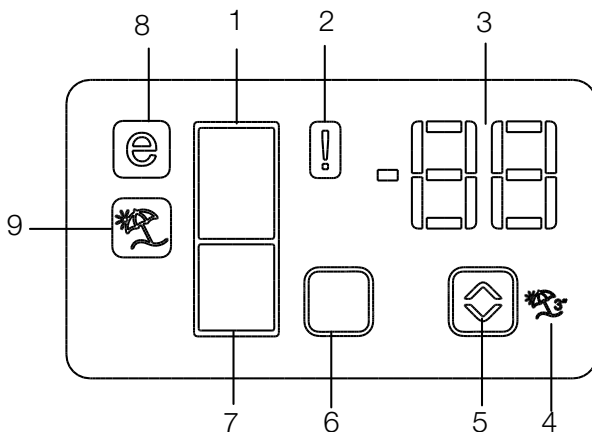
- După ce setarea este finalizată, dumneavoastră puteți ascunde butonul de setare a temperaturii prin apăsarea în interior.

## Utilizarea produsului

### 5.4. Panoul de afișaj

Panourile de afișaj pot diferi în funcție de modelul produsului dvs.

Funcțiile acustice și vizuale ale panoului de afișaj vă vor ajuta la utilizarea frigiderului.



1. Indicator compartiment frigider
2. Indicator stare eroare
3. Indicator de temperatură
4. Buton funcție vacanță
5. Buton de reglare a temperaturii
6. Buton de selectare a compartimentului
7. Indicator compartiment frigider
8. Indicator de funcționare economică
9. Indicator funcție vacanță

**\*opțional**



\*Opțional: Imaginile din acest manual de utilizare sunt schematice și este posibil să nu fie identice cu produsul dvs. Informațiile pentru componentele care nu există în dotarea produsului achiziționat de dvs. se aplică pentru alte modele.

## Utilizarea produsului

### 1. Indicator compartiment frigider

Becul din compartimentul frigiderului se va aprinde când reglați temperatura compartimentului frigiderului.

### 2. Indicator stare eroare

Acest senzor se va activa dacă frigiderul nu răcește corespunzător sau în caz de defecțiune a senzorului. Când acest indicator este activ, indicatorul de temperatură a compartimentului congelatorului va afișa „E”, iar indicatorul de temperatură a compartimentului frigiderului va afișa cifrele „1, 2, 3 etc.”. Cifrele de pe indicator informează personalul de service cu privire la defecțiune.

### 3. Indicator de temperatură

Indică temperatura din compartimentele frigiderului și congelatorului.

### 4. Buton funcție vacanță

Pentru a activa acest buton, apăsați și mențineți apăsat butonul Vacation (Vacanță) timp de 3 secunde. Când funcția Vacation este activă, indicatorul de temperatură a compartimentului frigiderului afișează „-” și nu se va activa niciun proces de răcire în compartimentul frigiderului. Această funcție nu este potrivită pentru a păstra alimente în compartimentul congelatorului. Celelalte compartimente vor rămâne răcite la temperatura respectivă setată pentru fiecare compartiment.

Apăsați butonul Vacation („Vacanță”) (🏖️) din nou pentru a anula această funcție.

### 5. Buton de reglare a temperaturii

Temperatura compartimentului respectiv variază între -24°C..... -18°C și 8°C...1°C.

### 6. Buton de selectare a compartimentului

Utilizați butonul de selectare a compartimentului frigiderului pentru a comuta între compartimentele congelatorului și frigiderului.

### 7. Indicator compartiment frigider

Becul din compartimentul congelatorului se va aprinde când reglați temperatura compartimentului frigiderului.

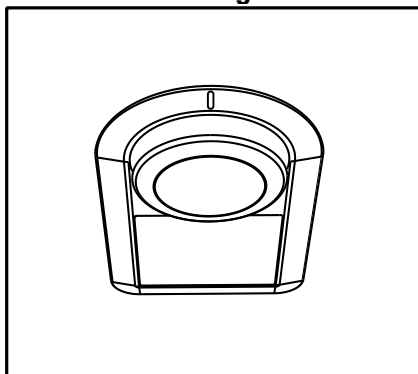
### 8. Indicator de funcționare economică

Indică faptul că frigiderul funcționează pe modul de economisire a energiei. Acest indicator va fi activ când temperatura din compartimentul frigiderului este setată la -18°C.

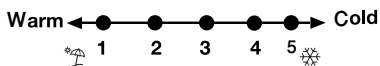
### 9. Indicator funcție vacanță

Indică faptul că fun

## 5.5. Utilizarea frigiderului



Temperatura de funcționare este reglată de către termostat.



**1=Setarea minimă de răcire (Setarea maximă).**

**4=Setarea maximă de răcire (Setarea minimă).**

Temperatura medie din interiorul frigiderului trebuie să fie în jur de +5°C.

Reglați în funcție de temperatura dorită.

## Utilizarea produsului

Rețineți că în zona de răcire vor fi temperaturi diferite.

Zona cea mai rece se află chiar deasupra compartimentului pentru legume.

Temperatura interioară depinde de asemenea de temperatura mediului, frecvența cu care ușa este deschisă și cantitatea de alimente păstrate în interior.

Deschiderea frecventă a ușii determină creșterea temperaturii interioare.

Din acest motiv, se recomandă închiderea ușii imediat după utilizare.

### 5.6. Buton de reglare termostat

Temperatura interioară a frigiderului se modifică din următoarele motive:

- Temperatura exterioară
- Deschiderea frecventă a ușii și lăsarea ușii deschise perioade lungi de timp,
- Alimente introduse în frigider fără a fi răcite la temperatura camerei,
- Amplasarea frigiderului în încăpere (de ex. expunerea la soare).
- Variațiile temperaturii interioare datorate acestor factori pot fi compensate folosind termostatul. Numerele din jurul termostatului indică gradul de răcire.
- Dacă temperatura ambientală depășește 32°C, rotiți butonul termostatului în poziția maximă.
- Dacă temperatura ambientală este mai mică de 25°C, rotiți butonul termostatului în poziția minimă.

### 5.7. Dezghețarea

#### Compartimentul frigiderului

Compartimentul frigiderului se dezgheată complet automat. În timpul răcirii frigiderului, pe interiorul peretelui din spate se pot forma picături de apă și un strat de gheață de 7-8 mm. Acest fenomen este normal și se datorează sistemului de răcire. Sistemul de

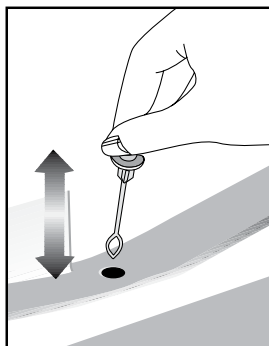
dezghețare automată asigură dezghețarea automată a stratului de gheață la anumite intervale de timp. Nu este necesară răzuirea manuală a gheții sau ștergerea picăturilor de apă.

Apa rezultată în urma dezghețării curge în canalul de colectare a apei și ajunge prin conducta de evacuare pe evaporator, unde se evaporă.

Compartimentul de congelare nu se dezgheată automat, pentru a preveni alterarea alimentelor congelate.

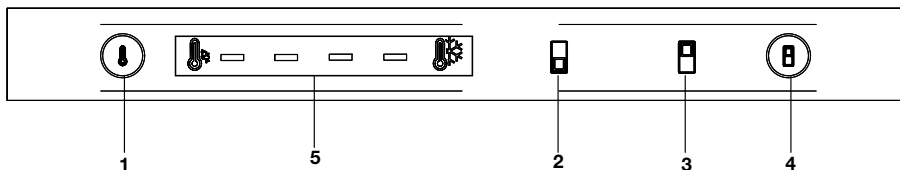
Compartimentul congelatorului se dezgheată automat.

Verificați periodic dacă conducta de evacuare nu este înfundată și curățați-o cu bețișorul din orificiu dacă este cazul.



## Utilizarea produsului

### 5.8. Panoul de afișaj



- 1.** Tastă pentru schimbarea valorii de răcire: Este folosită pentru ajustarea temperaturii de răcire a frigiderului și a compartimentelor congelatorului. Dacă apăsați această tastă când indicatorul compartimentului congelatorului (2) este aprins, se va schimba gradul de răcire a compartimentului congelatorului. Dacă apăsați această tastă când indicatorul compartimentului frigiderului (3) este aprins, se va schimba gradul de răcire a compartimentului frigiderului.
- 2.** Indicator compartiment congelator: Când acest indicator este aprins, gradul actual de răcire al compartimentului congelatorului este afișată pe indicatorul de răcire (5). Puteți apăsa tasta pentru schimbarea valorii de răcire (1) pentru a schimba valoarea de răcire a compartimentului congelatorului.
- 3.** Indicator compartiment frigider: Când acest indicator este aprins, gradul actual de răcire al compartimentului frigiderului este afișată pe indicatorul de răcire (5). Puteți apăsa tasta pentru schimbarea valorii de răcire (1) pentru a schimba valoarea de răcire a compartimentului frigiderului.
- 4.** Buton selectare compartiment: Este folosit pentru a selecta compartimentele frigiderului sau a congelatorului.
- 5.** Indicator de răcire: Arată valoarea gradului de răcire pentru compartimentul selectat. Valoarea răcirii se mărește de la stânga la dreapta.

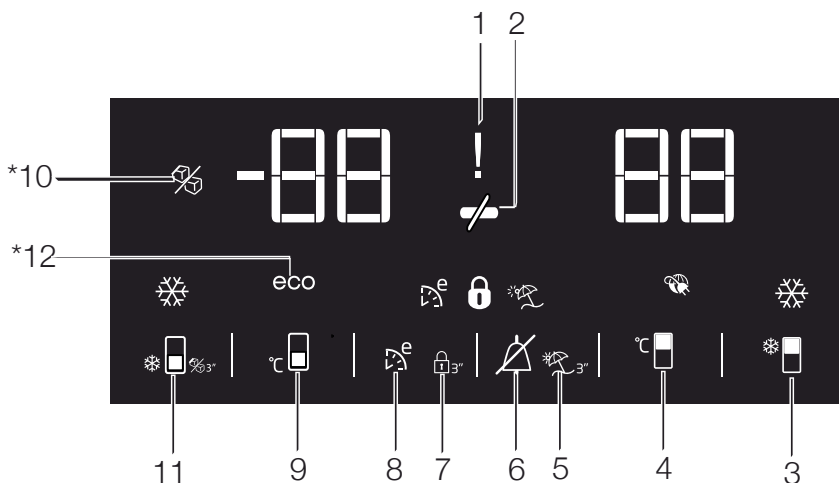


\*Opțional: Imaginile din acest manual de utilizare sunt schematice și este posibil să nu fie identice cu produsul dvs. Informațiile pentru componentele care nu există în dotarea produsului achiziționat de dvs. se aplică pentru alte modele.



## Utilizarea produsului

### 5.9. Panou indicator

Panoul indicator vă permite să setați temperatura și să controlați celelalte funcții corespunzătoare produsului fără deschiderea ușii produsului. Doar apăsați inscripțiile de pe butoanele relevante pentru setările funcțiilor.



#### 1. Indicator pană de curent/temperatură ridicată/ avertizare eroare

Acest indicator  iluminează în timpul unei pene de curent, probleme de temperatură ridicată sau avertismente de eroare. În timpul penelor de curent susținute, temperatura cea mai ridicată din compartimentul congelatorului la care ajunge va clipi pe afișajul digital. După verificarea alimentelor plasate în compartimentul frigiderului () apăsați butonul de oprire a alarmei pentru anularea avertismentului.

#### 2. Funcția de economisire a energiei (afișaj oprit):

Dacă ușile produsului sunt menținute închise pentru o durată lungă de timp funcția de economisire a energiei este activată automat

și simbolului de economisire a energiei este iluminat. ()

În momentul când funcția de economisire a energiei este activată, toate simbolurile de pe afișaj altele decât simbolul de economisire a energiei vor fi oprite. În momentul când funcția de economisire a energiei este activată, dacă orice buton este apăsat sau ușa este deschisă, funcția de economisire a energiei va fi anulată iar simbolurile de pe afișaj vor reveni la normal.


Funcția de economisire a energiei este activată în timpul expedierii din fabrică și nu poate fi anulată.



\*Opțional: Imaginile din acest manual de utilizare sunt schematice și este posibil să nu fie identice cu produsul dvs. Informațiile pentru componentele care nu există în dotarea produsului achiziționat de dvs. se aplică pentru alte modele.

## Utilizarea produsului

### 3.Funcția Quick Fridge:

Butonul are două funcții. Pentru activarea și dezactivarea funcției de răcire rapidă apăsați butonul scurt. Indicatorul Răcire rapidă se va stinge, iar frigiderul va reveni la setările normale. 



Utilizați funcția de răcire rapidă atunci când doriți să răciți rapid alimentele introduse în compartimentul frigider. Dacă doriți să răciți cantități mari de alimente proaspete, activați această funcție înainte de introducerea alimentelor în frigider.



Dacă nu anulați, funcția de răcire rapidă se va anula automat după 8 ore sau în momentul în care compartimentul frigiderului ajunge la temperatura dorită.




Dacă apăsați butonul de congelare rapidă în mod repetat la intervale scurte, protecția circuitului electronic va fi activată, iar compresorul nu va porni imediat.





Această funcție nu este memorată în momentul în care energia revine după o pană de curent.

### 4. Buton setare temperatură compartiment frigider

Apăsați acest buton pentru a seta temperatura compartimentului frigiderului la 8, 7,6, 5,4,3, 2, și respectiv 8. Apăsați acest buton pentru a seta temperatura compartimentului frigider la valoarea dorită. 

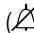
### 5.Funcția Vacanță:

Pentru a activa funcția Vacanță, apăsați acest buton () timp de 3 secunde, iar


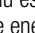
indicatorul modului Vacanță () va fi activat. Atunci când funcția Vacanță este activată, semnul "- -" este afișat pe indicatorul de temperatură a compartimentul frigider iar nicio operațiune activă de răcire nu este efectuată în compartimentul frigider. Atunci când această funcție este activată, nu este potrivit să mențineți alimente în compartimentul frigider. Alte compartimente vor continua să fie răcite după setarea temperaturii

Pentru anularea acestei funcții apăsați butonul **funcției Vacanță** din nou.

### 6. Avertisment oprire alarmă:

În cazul unei pene de curent/alarmă temperatură ridicată, după verificarea mâncării localizate în compartimentul congelatorului apăsați butonul de oprire a alarmei () pentru a întrerupe avertismentul.

### 7. Blocare taste

Apăsați butonul de blocare a tastelor () simultan timp de 3 secunde. Simbol blocare taste Simbolul () se va aprinde iar modul de blocare a tastelor va fi activat. În momentul când modul de blocare a tastelor este activ, tastele nu vor funcționa. Apăsați din nou butonul de blocare a tastelor simultan timp de 3 secunde. Simbolul de blocare a tastelor se va stinge, iar modul de blocare a tastelor va fi dezactivat.


Apăsați butonul de **blocare a tastelor** dacă dumneavoastră doriți să preveniți modificarea setării temperaturii frigiderului. ()

### 8. Eco fuzzy

Apăsați și mențineți butonul Eco Fuzzy timp de o secundă pentru a activa funcția Eco Fuzzy.



## Utilizarea produsului

Frigiderul va funcționa în cel mai economic mod timp de 6 ore, iar indicatorul de utilizare economică va fi aprins în momentul în care această funcție este activă (  ). Apăsați și mențineți butonul Eco Fuzzy timp de 3 secunde pentru a dezactiva funcția Eco Fuzzy.


Acest indicator este iluminat după 6 ore după ce funcția Eco Fuzzy este activată.

### 9. Buton setare temperatură compartiment congelator

Apăsați acest buton pentru a seta temperatura compartimentului congelatorului la -18, -19, -20, -21, -22, -23, -24, respectiv -18. Apăsați acest buton pentru a seta temperatura compartimentului congelator la valoarea dorită.




### 10. Indicator oprire aparat icematic

Indică dacă aparatul icematic este pornit sau oprit. Dacă simbolul (  ) este Pornit, apoi aparatul icematic nu funcționează. Pentru a utiliza din nou aparatul icematic apăsați și mențineți butonul Pornit-Oprit timp de 3 secunde.



Debitul de apă din rezervorul de apă se va opri atunci când această funcție este selectată. Totuși, gheața răcită anterior poate fi luată din aparatul icematic.

### 11. Buton funcție Quick freeze/buton pornit-oprit aparat icematic

Apăsați acest buton pentru a activa sau a dezactiva funcția de congelare rapidă. Atunci când activați această funcție, compartimentul frigider va fi răcit la o temperatură mai mică decât valoarea setată. (  )

Pentru a porni și opri aparatul icematic apăsați și mențineți apăsat timp de 3 secunde.



Utilizați funcția de congelare rapidă atunci când doriți să congelați rapid alimentele introduse în compartimentul frigider. Dacă doriți să congelați cantități mari de alimente proaspete, activați această funcție înainte de introducerea alimentelor în frigider.




Dacă nu anulați, funcția de răcire rapidă se va anula automat după 4 ore sau în momentul în care compartimentul frigiderului ajunge la temperatura dorită.



Această funcție nu este memorată în momentul în care energia revine după o pană de curent.

### 12. Indicator de utilizare economică

Indică că produsul funcționează într-un mod eficient din punct de vedere al energiei.

(  ) Acest indicator va fi activ dacă temperatura compartimentul congelatorului este setată la -18 sau răcirea eficientă din punct de vedere economic este efectuată datorită funcției Eco-Extra

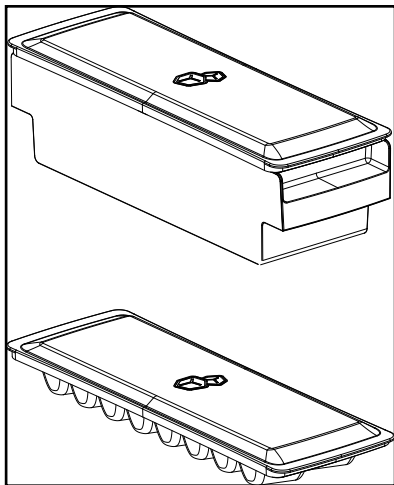


Indicatorul de utilizare economică este oprit atunci când funcțiile de răcire și congelare rapidă sunt selectate.

## Utilizarea produsului

### 5.10. Recipientul pentru gheață (Opțional)

- Luați recipientul pentru gheață din compartimentul congelator.
- Umpleți recipientul pentru gheață cu apă.
- Plasați recipientul pentru gheață în compartimentul congelator.
- Gheața va fi gata după aproximativ două ore. Luați recipientul pentru gheață din compartimentul congelatorului și înclinați-l ușor peste suportul pe care-l veți servi. Gheața va curge ușor în suportul de servire.



### 5.11. Suport de ouă

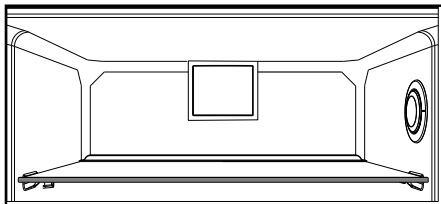
Dumneavoastră puteți plasa suportul de ouă pe ușa sau rafturile corpului. Dacă dumneavoastră decideți să plasați suportul pe rafturi, este recomandat să-l montați pe rafturile de jos deoarece sunt mai reci.



Nu plasați suportul pentru ouă în compartimentul congelatorului.

### 5.12. Ventilator

Ventilatorul a fost proiectat să distribuie și să circule și să distribuie omogen aerul rece în interiorul frigiderului. Durata de funcționare a ventilatorului poate varia în funcție de caracteristicile produsului dumneavoastră. În timp ce la unele produse, ventilatorul funcționează doar cu compresor, în altele sistemul de control determină durata de funcționare bazată pe nevoia de răcire.



### 5.13. Compartiment de legume (Opțional)

Compartimentul de legume al produsului este proiectat să mențină legumele proaspete prin păstrarea umidității. În acest scop, circulația totală a aerului rece este intensificată în compartimentul de legume.

### 5.14. Compartiment de zero grade (Opțional)

Utilizați acest compartiment să mențineți alimentele delicate la temperaturi mai scăzute sau produse din carne pentru consum imediat. Compartimentul de zero grade este cel mai rece compartiment unde alimentele cum ar fi produse lactate, carne pește și pui pot fi depozitate în condiții ideale de depozitare. Fructele și/sau legumele nu trebuie depozitate în acest compartiment.

## Utilizarea produsului

### 5.15. Folosirea celui de-al doilea compartiment pentru legume al produsului;



**Figura 1.**

Așa cum este prezentat în figură, există două opritoare în cel de-al doilea compartiment pentru legume al produsului K70560.



**Figura 2.**

Când este închis, al doilea compartiment pentru legume arată ca în Figura 2.



**Figura 3.**

Cu ușa deschisă la 90°, trageți cel de-al doilea compartiment pentru legume până la primul opritor, după cum este prezentat în Figura 3.

În cazul în care sertarul este deschis mai mult, la început deschideți ușa la cel puțin 135°. După aceea, după cum este prezentat în Figura 4, ridicați cel de-al doilea compartiment pentru legume aproximativ 5mm, astfel încât să fie trecut de primul opritor.



**Figura 4.**

După ridicare, trageți cel de-al doilea sertar până la al doilea opritor după cum arată Figura 5.



**Figura 5.**

## Utilizarea produsului

### 5.16. Raft de uşă mobil

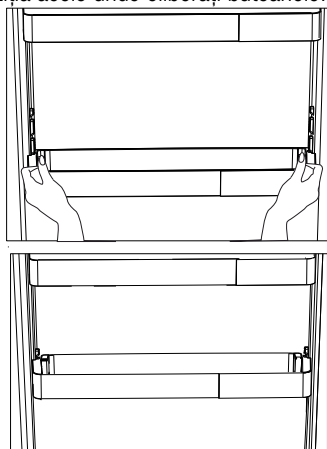
#### (Opțional)

Raftul de uşă mobil poate fi fixat în 3 poziții diferite.

Pentru a muta raftul, apăsați ușor butoanele de pe margini. Raftul va fi mobil.

Mutați raftul sus sau jos.

Atunci când raftul se află în poziția pe care o doriți, eliberați butoanele. Raftul va fi fixat în poziția acolo unde eliberați butoanele.

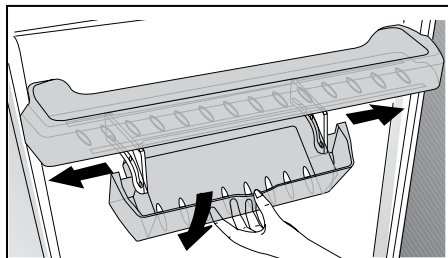


### 5.17. Cutii de stocare glisante

#### (Opțional)

Acest accesoriu este proiectat pentru a crește volumul utilizabil ale rafturilor din uşă.

Datorită abilității sale de a fi mutate lateral, acestea vă permit să plasați sticle cu gât lung, borcane sau cutii care dumneavoastră le introduceți în raftul pentru sticle de mai jos.



### 5.18. Modul de dezodorizare

#### (FreshGuard) \*opțional

Modulul de dezodorizare elimină rapid mirosurile neplăcute din frigider, înainte de a pătrunde în suprafețe. Mulțumită acestui modul care este amplasat în partea superioară a compartimentului pentru alimente proaspete, mirosurile neplăcute se dizolvă în timpul trecerii active a aerului prin filtrul de miros, apoi aerul curățat este retrimis în compartimentul de alimente proaspete. În acest mod, mirosurile nedorite care pot să apară pe parcursul depozitării alimentelor în frigider sunt eliminate înainte de a pătrunde în suprafețe.

Acest lucru este realizat datorită ventilatorului, LED-ului și filtrului de miros integrate în modul. În folosirea zilnică, modulul de dezodorizare se va activa automat în mod periodic.

Pentru a menține performanța eficientă, este recomandat să aveți amplasat filtrul în modulul de dezodorizare de către furnizorul de service autorizat la fiecare 5 ani. Datorită ventilatorului integrat în modul, sunetul pe care îl veți auzi în timpul utilizării este normal. Dacă deschideți ușa compartimentului de alimente proaspete în timp ce modulul este activ, ventilatorul se va întrerupe temporar și va reporni de unde a rămas, după ce ușa este închisă din nou. În cazul unei pene de curent, modulul de dezodorizare va reporni de unde a rămas în perioada totală a operațiunii odată ce revine curentul electric.

Info: Este recomandat să depozitați alimentele aromate (precum brânza, măslinile și delicatesele) în ambalajele lor și etanșate, pentru a evita mirosurile neplăcute care pot să rezulte din amestecul acestora. În plus, se recomandă eliminarea rapidă a alimentelor stricate din frigider, pentru a preveni stricarea și a altor alimente și pentru a evita mirosurile neplăcute.

## Utilizarea produsului

### 5.19. Controlul umidității în compartimentul de legume

#### (Opțional)

Cu caracteristica de control a umidității, coeficientul de umiditate a legumelor și fructelor este ținut sub control și asigură o perioadă mai lungă de proștețime pentru alimente

Pe cât posibil, este recomandat să depozitați legume cu frunze cum ar fi salata verde și spanacul și legume asemănătoare predispuse la pierdere de umezeală nu pe rădăcinile lor ci într-o poziție orizontală în interiorul compartimentului de legume.

Atunci când amplasați legumele, amplasați legumele tari și grele în partea inferioară și cele ușoare și moi în partea superioară, ținând cont de greutatele specifice ale acestora.

Nu lăsați legumele aflate în compartimentul de legume în ambalaje. Lăsarea acestora în pungi de plastic vor cauza descompunerea legumelor într-o perioadă mai scurtă de timp. În termeni de igienă și în situații unde contactul cu alte legume nu este preferat, utilizați materiale de ambalare cum ar fi hârtia care deține o anumită porozitate.

Nu introduceți fructe care au o producție ridicată de gaz etilic cum ar fi perele, caisele, piersicile și merele în același compartiment de legume împreună cu alte legume și fructe. Emiterea gazului etilic din aceste fructe poate cauza ca celelalte fructe și legume să se maturizeze mai rapid și să se descompună într-o perioadă mai scurtă de timp.

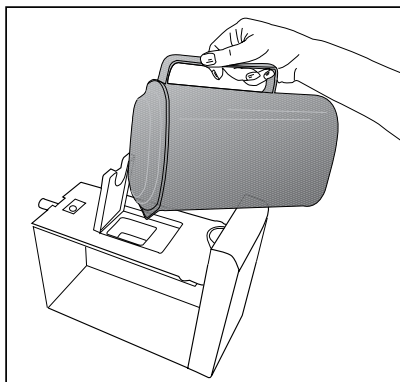
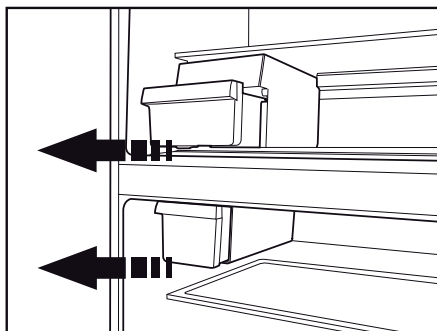
### 5.20. Aparat automat de gheață (Opțional)

Aparatul automat de gheață vă permite să creați gheață ușor în frigiderul dumneavoastră. Pentru a obține gheață din aparatul de gheață, scoateți rezervorul de apă din compartimentul congelatorului, umpleți-l cu apă și fixați-l înapoi. Primele cuburi de gheață vor fi pregătite în aproximativ 2 ore în sertarul aparatului de gheață localizat în compartimentul congelatorului.

După fixarea unui rezervor plin de apă, dumneavoastră puteți obține aproximativ 60-70 cuburi de gheață până când este golit complet. Dacă apa din rezervor a stat timp de 2-3 săptămâni, aceasta trebuie înlocuită.



În produse cu aparat automat de gheață, dumneavoastră veți putea auzi un sunet atunci când gheața cade. Acest sunet este normal și nu reprezintă un semn de avarie.



## Utilizarea produsului

### 5.21. Aparatul Icematic și recipientul de depozitare a gheții

#### \*opțional

#### Utilizarea aparatului Icematic

Umpleți aparatul Icematic cu apă și amplasați-l în suportul său. În aproximativ două ore, gheața va fi gata. Nu demontați aparatul Icematic din suport pentru a lua gheață.

Rotiți butoanele de pe rezervoarele de gheață în sens orar cu 90 de grade.

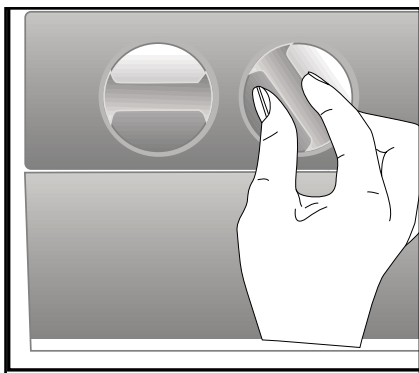
Cuburile de gheață din rezervoare vor cădea în recipientul pentru gheață de dedesubt.

Puteți scoate recipientul pentru a servi cuburile de gheață.

Dacă doriți, puteți păstra cuburile de gheață în recipient.

#### Recipient de depozitare a gheții

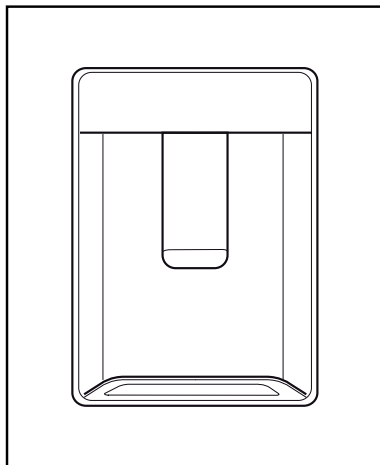
Recipientul pentru gheață este destinat doar păstrării cuburilor de gheață. Nu turnați apă în acesta. În caz contrar, se va rupe.



### 5.22. Dozatorul de apă

#### \*opțional

Dozatorul de apă este o funcție foarte utilă bazată pe ideea de asigurare a accesului la apă rece fără a deschide ușa frigiderului. Nefiind necesară deschiderea frecventă a ușii, veți economisi energie.



### 5.23. Utilizarea dozatorului de apă

Apăsați pe brațul dozatorului de apă cu paharul. După ce eliberați brațul, dozatorul se va opri.

Atunci când utilizați dozatorul de apă, debitul maxim poate fi obținut prin acționarea completă a brațului.

Rețineți faptul că respectiva cantitate de apă dozată din dozator depinde de gradul de acționare a brațului.

Atunci când nivel de apă din paharul/recipientul dumneavoastră crește, reduceți ușor presiunea de la nivelul brațului pentru a preveni revărsarea apei. Dacă apăsați ușor pe braț, apa va curge sub formă de picături; acesta este un lucru normal și nu este o defecțiune.



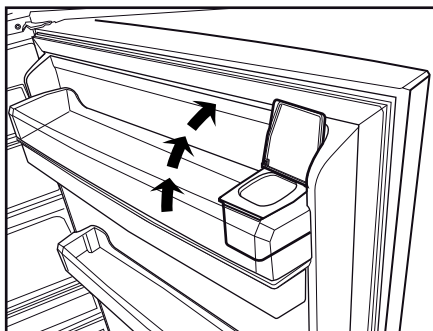
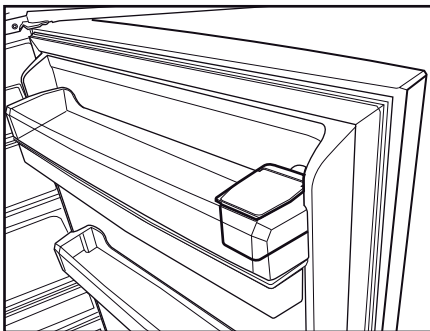
## Utilizarea produsului

### Umplerea rezervorului dozatorului de apă

Recipientul de umplere a rezervorului de apă se află în interiorul raftului de pe ușă. Puteți deschide capacul recipientului și îl puteți umple cu apă potabilă. Ulterior, închideți capacul.

### Avertisment!

- Nu umpleți rezervorul de apă cu niciun alt lichid decât apă, precum sucuri de fructe, lapte, băuturi carbogazoase sau băuturi alcoolice care nu sunt potrivite pentru a fi utilizate într-un dozator de apă. Dozatorul de apă este deteriorat iremediabil dacă folosiți astfel de lichide. Garanția nu acoperă astfel de utilizări necorespunzătoare. Unele substanțe chimice și aditivi incluși în aceste tipuri de băuturi/lichide pot afecta rezervorul de apă și materialele din care este realizat.
- Utilizați numai apă potabilă proaspătă.
- Capacitatea rezervorului de apă este de 3 litri; nu umpleți în exces.
- Apăsăți pe brațul dozatorului de apă cu un pahar din material rigid. Dacă utilizați pahare din plastic de unică folosință, apăsați cu degetele dumneavoastră pe brațul din spatele paharului.



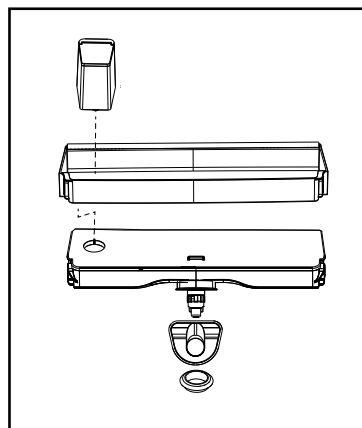
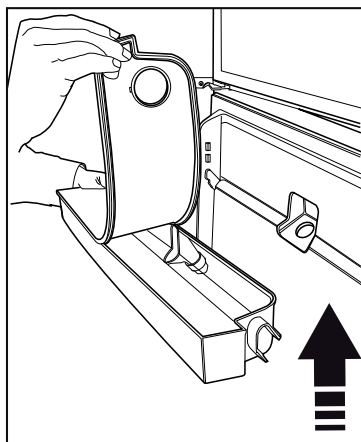
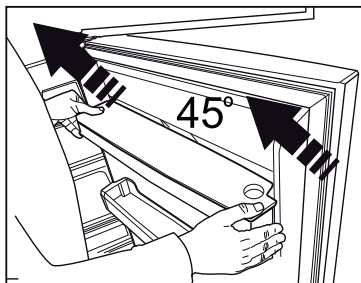
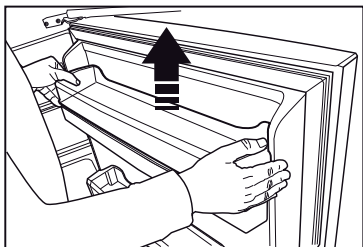
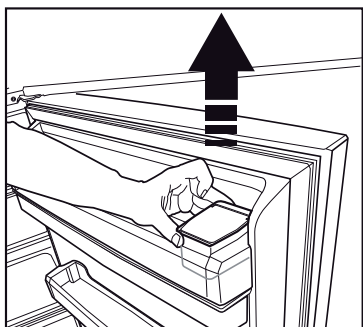
## Utilizarea produsului

### 5.24. Curățarea rezervorului de apă

- Demontați rezervorul de umplere cu apă din raftul de pe ușă.
- Demontați raftul de pe ușă prinzându-l de ambele părți.
- Prindeți rezervorul de apă din ambele părți și demontați-l la un unghi de 45°C.
- Curățați rezervorul de apă demontându-i capacul.

#### Important:

Componentele rezervorului de apă și ale dozatorului de apă nu trebuie spălate în mașina de spălat vase.





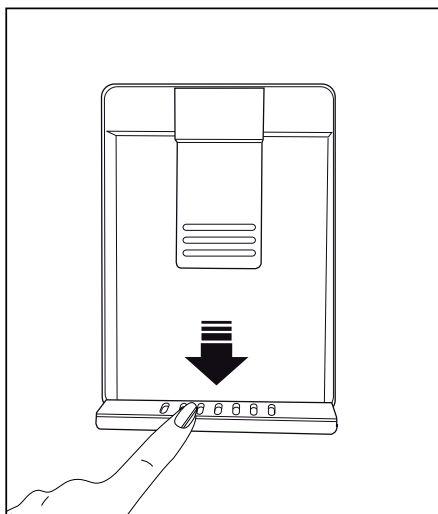
## Utilizarea produsului

### 5.25. Tava pentru apă

Picăturile de apă care se scurg la utilizarea dozatorului de apă se acumulează în tava pentru scurgeri.

Scoateți sita din plastic conform celor indicate în figură.

Cu o lavetă curată și uscată, îndepărtați apa care s-a acumulat.



### HerbBox/HerbFresh

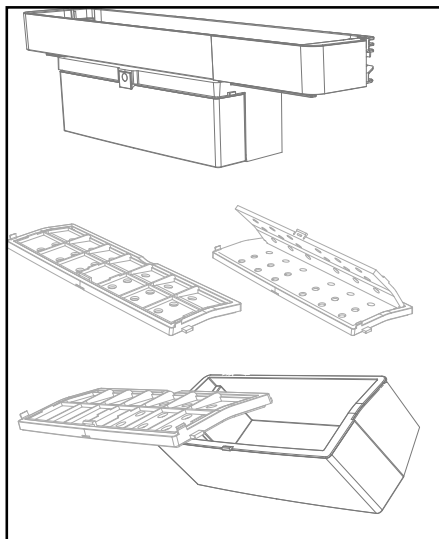
Îndepărtați containerul filmului din HerbBox/HerbFresh+

Scoateți filmul din pungă și puneți-l în container precum în imagine.

Închideți din nou containerul și înlocuiți-l în unitatea HerbBox/HerbFresh+.

Secțiunile HerbBox-HerbFresh+ sunt ideale pentru stocarea diverselor mirodenii care trebuie ținute în condiții delicate. Puteți stoca mirodeniile nedepozitate (pătrunjel, mărar etc.) în această secțiune orizontală și mențineți-le proaspete pentru o perioadă mai lungă.

Filmul trebuie schimbat odata la 6 luni.



## Utilizarea produsului

### 5.26. Congelarea alimentelor proaspete

- Pentru menținerea calității alimentelor, alimentele plasate în compartimentul frigiderului trebuie să fie congelate cât mai repede posibil, utilizați congelarea rapidă pentru acest lucru.
- Congelarea alimentelor atunci când sunt proaspete va extinde timpul de depozitare în compartimentul frigiderului.
- Ambalați alimentele în ambalaje etanșe și sigilați-le.
- Asigurați-vă că alimentele sunt ambalate înainte de a le introduce în congelator. Utilizați compartimente congelatorului, folii de aluminiu și hârtii higrofuge, pungi din plastic sau alte materiale de ambalare în locul hârtiei tradiționale de ambalaj.



Gheața din compartimentul congelatorului se dezgheață în mod automat.

- Marcați fiecare ambalaj prin înscrisurarea datei pe ambalaj înainte de congelare. Acest lucru vă va permite să determinați prospețimea fiecărui ambalaj de fiecare dată când frigiderul este deschis. Mențineți alimentele depozitate anterior în față pentru a vă asigura că sunt utilizate primele.
- Alimentele congelate trebuie să fie utilizate imediat după decongelare și nu trebuie recongelate.
- Nu congelați simultan cantități mari de alimente.

### 5.27. Recomandări pentru depozitarea alimentelor congelate

Compartimentul trebuie să fie setat la cel puțin  $-18^{\circ}\text{C}$ .

1. Introduceți alimentele în congelator cât de repede puteți pentru evitarea decongelării.
2. Înainte de congelare, verificați "Data de expirare" de pe ambalaj și asigurați-vă că nu este expirat.
3. Asigurați-vă că ambalajul alimentelor nu este avariata.

Setare temperatură compartiment congelator	Setare temperatură compartiment frigider	Detalii
$-18^{\circ}\text{C}$	$4^{\circ}\text{C}$	Aceasta este setarea normală recomandată.
$-20, -22$ sau $-24^{\circ}\text{C}$	$4^{\circ}\text{C}$	Aceste setări sunt recomandate când temperatura ambientală depășește $30^{\circ}\text{C}$ .
Congelare rapidă	$4^{\circ}\text{C}$	Folosiți atunci când doriți să congelați alimentele într-o perioadă scurtă de timp. Atunci când procesul se finalizează, produsul se va întoarce la setarea anterioară.
$-18^{\circ}\text{C}$ sau mai rece	$2^{\circ}\text{C}$	Utilizați aceste setări dacă credeți că congelatorul nu este destul de rece datorită temperaturii ambientale sau deschiderii frecvente a ușii.

## Utilizarea produsului

### 5.28. Detalii despre congelator

Conform standardelor IEC 62552, frigiderul trebuie să aibă capacitatea să congeleze o cantitate de 4,5 kg de alimente la o temperatură de -18°C sau mai mică în 24 de ore pentru fiecare 100 de litri din volumul frigiderului.

Alimentele pot fi menținute pentru perioade mari de timp la o temperatură de -18°C sau mai scăzută.

Dumneavoastră puteți menține alimentele proaspete luni de zile (în congelator la sau temperaturi de 18°C).

Pentru evitarea decongelării parțiale, alimentele care urmează a fi congelate nu trebuie să vină în contact cu alimentele deja congelate din interior.

Fierbeți legumele și filtrați apa pentru a mări timpul de congelare. După filtrarea apei, plasați alimentele în ambalaje etanșe și introduceți-le în frigider. Bananele, roșiile, salata verde, țelina, ouălele fierte, cartofii sau alte tipuri de alimente nu trebuie să fie congelate. În cazul în care acest tip de aliment se descompune, doar valorile nutriționale și calitățile gustative vor fi afectate într-un mod negativ. Un aliment descompus pune în pericol sănătatea persoanei respective.

### 5.29. Introducerea alimentelor

Rafturi congelator	Diverse alimente congelate, cum ar fi carne, pește, înghețată, legume etc.
Rafturi compartiment congelator	Alimente din interiorul oalelor, farfurii acoperite și cutii acoperite, ouă (în cofraje acoperite)
Rafturi ușă compartiment congelator	Alimente mici și împachetate sau băuturi
Compartiment de legume	Fruite și legume

Compartiment de alimente proaspete	Alimentele delicate (alimente pentru mic dejun, produse din carne care vor fi consumate într-o perioadă scurtă)
------------------------------------	---

### 5.30. Alarmă de ușă deschisă

#### (Opțional)

O alertă sonoră va fi auzită dacă ușa produsului rămâne deschisă cel puțin 1 minut. Alerta sonoră se va opri atunci când ușa este închisă sau un alt buton de pe afișaj (dacă este disponibil) este apăsat.

Alarma de ușă deschisă este emisă către utilizator în mod vizual și acustic. Iluminarea interioară va porni dacă alarma continuă timp de 10 minute.

### 5.31. Schimbarea direcției de deschidere a ușii

Dumneavoastră puteți schimba direcția de deschidere a ușii bazându-vă pe locația unde îl utilizați. Atunci când aveți nevoie de acest lucru, consultați cel mai apropiat service autorizat.

Explicația de mai sus reprezintă o afirmație generală. Dumneavoastră trebuie să verificați eticheta de avertisment localizată în interiorul ambalajului produsului în legătură cu schimbarea direcției ușii.

### 5.32. Bec interior

Becul interior utilizează o lampă de tip LED: Contactați service-ul autorizat pentru orice problemă în legătură cu această lampă. Lampa(ile) utilizate în acest produs nu pot fi utilizate pentru iluminat casnic. Utilizarea destinată a acestei lămpi este de a ajuta utilizatorul să introducă alimente în frigider / congelator în siguranță și confortabil.

Durata de viață a produsului este mărită dacă este curățat în mod regulat.



**AVERTISMENT:** Înainte de curățare decuplați mai întâi produsul.

- Nu utilizați niciodată instrumente ascuțite sau abrazive, săpun, substanțe de curățare, detergenți sau ceară de lustruire pentru curățare.
- Dizolvați o linguriță de carbonat în jumătate de litru de apă. Înmuiați un material textil în soluție și stoarceți-o bine. Stergeți interiorul produsului cu acest material textil și uscați-l.
- Asigurați-vă că nu intră apă în carcasa lămpii și în alte componente electrice.
- Curățați ușa cu un material textil umed. Pentru scoaterea ușii și rafturilor din ușă, scoateți toate conținuturile. Scoateți rafturile din ușă prin mișcarea lor în partea superioară. După curățare, pentru montare glisați-le din partea superioară către partea inferioară.
- Nu folosiți niciodată substanțe de curățare cu clor sau apă cu clor pentru curățarea suprafețelor exterioare și a suprafețelor cromate ale produsului. Clorul provoacă coroziunea acestor suprafețe metalice.
- Nu utilizați instrumente ascuțite, abrazive, săpunuri, agenți de curățare de uz casnic, detergenți, kerosen, benzină, lac etc. pentru a preveni eliminarea și deformarea modelelor de pe partea din plastic. Pentru curățare, utilizați apă caldută și un material textil moale și apoi ștergeți-l până ce se usucă..

### 6.1. Evitarea mirosurilor urât mirositoare

Materialele care pot cauza miros urât nu sunt utilizate în producerea produselor noastre. Totuși, datorită condițiilor nepotrivite de depozitare a alimentelor și curățarea suprafeței interioare a aparatului cum este solicitat.

Așadar, curățați congelatorul cu carbonat dizolvat în apă după fiecare 15 zile.

- Mențineți alimentele în recipiente închise. Microorganismele care se răspândesc din recipiente deschise pot cauza mirosuri urâte.

- Nu țineți niciodată alimente care au expirat sau sunt alterate în frigider.

### 6.2. Protejarea suprafețelor din plastic

Curățați cu apă caldută imediat deoarece uleiul poate cauza avarierea suprafețelor atunci când este turnat pe suprafețe din plastic.

### 6.3. Geamuri din sticlă

Scoateți folia de protecție de pe geamuri.

Pe suprafața geamurilor este aplicat un film de protecție. Acest film de protecție minimizează acumularea petelor și vă ajută să scoateți petele posibile și murdăria ușor. Ușile care nu sunt protejate de un asemenea film pot fi supuse la aderența persistentă a compușilor organici și anorganici bazați pe aer sau apă cum ar fi depunerea de calcar, sărurile minerale, hidrocarburi nearse, oxizi metalici și silicoanați care pot cauza ușor și rapid pete și avarii materiale. Menținerea geamurilor curate devine prea dificilă în ciuda curățării regulate. Prin urmare, claritatea și transparența geamului se deteriorează. Metode de curățare puternice și corozive și compuși vor intensifica aceste defecte și accelerează procesul de deteriorare.

Produse de curățare bazate pe apă care nu sunt alcaline și corozive trebuie să fie utilizate în scopul curățării regulate.

Materialele non-alcaline și non-corozive pot fi utilizat pentru curățare pentru ca durata de viață al acestui film să fie extinsă pentru o perioadă mai mare de timp.

Geamurile sunt călite pentru a crește durabilitatea împotriva impacturilor și spargerii.

De asemenea, o peliculă de siguranță este aplicată pe suprafețele posterioare pentru o măsură de siguranță suplimentară pentru a se preveni provocarea avariilor în timpul spargerii.

\*Alcalii reprezintă o bază care formează ioni de hidroxid (OH) atunci când este dizolvată în apă.

Li (Litiu), Na (Sodiu), K (Potasiu) Rb (Rubidiu), Cs (Cesiu) și metale artificiale și radioactive Fr (Francium) sunt denumite METALE ALICALINE.

Înainte de a apela la service, citiți această listă. Puteți economisi timp și bani. Această listă include probleme frecvente care nu sunt provocate de defecte de material sau de manoperă. Este posibil ca unele funcții descrise aici să nu se aplice pentru produsul dvs.

#### **Frigiderul nu funcționează.**

- Ștecărul nu este introdus corect în priză. >>> *Introduceți ștecherul în priză.*
- Siguranța prizei la care este conectat frigiderul sau siguranța principală este arsă. >>> *Verificați siguranțele.*

#### **Condens pe perețele lateral al compartimentului frigiderului (MULTI ZONE, COOL CONTROL și FLEXI ZONE).**

- Mediu foarte rece. >>> *Nu instalați produsul în medii cu temperaturi sub -5°C.*
- Deschidere frecventă a ușii >>> *Aveți grijă să nu deschideți ușa frigiderului prea frecvent.*
- Mediu foarte umed. >>> *Nu instalați produsul în medii umede.*
- Alimentele lichide sunt păstrate în recipiente deschise. >>> *Păstrați alimentele lichide în recipiente închise.*
- Ușa frigiderului este întredeschisă. >>> *Nu lăsați ușa frigiderului deschisă perioade îndelungate de timp.*
- Termostatul este setat la o temperatură prea scăzută. >>> *Setați termostatul la o temperatură adecvată.*

#### **Compresorul nu funcționează.**

- Sistemul de protecție termică a compresorului se va activa în cazul penelor de curent sau în cazul deconectării și reconectării la priză, întrucât presiunea din sistemul de răcire nu este încă echilibrată. Frigiderul va porni după circa 6 minute. Contactați un centru de service dacă frigiderul nu pornește după această perioadă.
- Frigiderul este în modul de dezghețare. >>> *Acest mod este normal pentru un frigider cu dezghețare automată. Ciclul de dezghețare are loc periodic.*
- Frigiderul nu este conectat la priză.>>> *Asigurați-vă că ștecărul este introdus corect în priză.*
- Reglarea temperaturii nu este corectă. >>> *Selectați temperatura adecvată.*
- Pană de curent. >>> *Frigiderul va continua să funcționeze normal după ce curentul revine.*

#### **În timpul funcționării frigiderului, zgomotul devine mai intens.**

- Modul de funcționare a frigiderului se poate modifica în funcție de condițiile ambientale. Acesta este un fenomen normal și nu reprezintă o defecțiune.

#### **Frigiderul pornește des sau funcționează perioade îndelungate de timp.**

## Depanare

- Este posibil ca noul frigider să fie mai mare decât cel vechi. Frigiderele mari funcționează perioade îndelungate de timp.
- Este posibil ca temperatura din încăperea să fie ridicată. >>> *De regulă, frigiderul funcționează perioade îndelungate de timp la temperaturi ridicate în încăperea.*
- Este posibil ca frigiderul să fi fost conectat recent la priză sau să fi fost umplut recent cu alimente. >>> *Dacă frigiderul a fost conectat recent la priză sau a fost umplut cu alimente, va dura mai mult până frigiderul va atinge temperatura setată. Acest lucru este normal.*
- Este posibil ca în frigider să fi fost introduse recent cantități mari de alimente calde. >>> *Nu introduceți alimente calde în frigider.*
- Este posibil ca ușile să fi fost deschise frecvent sau lăsate întredeschise mai mult timp. >>> *Aerul cald care pătrunde în frigider determină funcționarea pe perioade mai îndelungate de timp. Deschideți mai rar ușile.*
- Este posibil ca ușa congelatorului sau frigiderului să fi fost lăsată întredeschisă. >>> *Verificați dacă ușile sunt închise corect.*
- Ați selectat o temperatură foarte joasă. >>> *Selectați o temperatură mai ridicată și așteptați ca aceasta să fie atinsă.*
- Este posibil ca garnitura ușii frigiderului sau congelatorului să fie murdară, uzată, ruptă sau poziționată incorect. >>> *Curățați sau înlocuiți garnitura. Garniturile deteriorate/defecte determină funcționarea pe perioade îndelungate de timp a frigiderului pentru a se asigura temperatura corectă.*

### **Temperatura congelatorului este foarte joasă, iar temperatura frigiderului este adecvată.**

- Ați selectat o temperatură foarte joasă a congelatorului. >>> *Selectați o temperatură mai ridicată a congelatorului și verificați din nou.*

### **Temperatura frigiderului este foarte joasă, iar temperatura congelatorului este adecvată.**

- Ați selectat o temperatură foarte joasă a frigiderului. >>> *Selectați o temperatură mai ridicată a frigiderului și verificați din nou.*

### **Alimentele din sertarele frigiderului îngheață.**

- Ați selectat o temperatură foarte joasă a frigiderului. >>> *Selectați o temperatură mai ridicată a congelatorului și verificați din nou.*

### **Temperatura din frigider sau congelator este foarte mare.**

- Ați selectat o temperatură foarte mare a frigiderului. >>> *Temperatura setată pentru frigider afectează temperatura congelatorului. Modificați temperatura frigiderului sau congelatorului până când temperatura din frigider sau congelator ajunge la un nivel adecvat.*
- Este posibil ca ușile să fi fost deschise frecvent sau lăsate întredeschise mai mult timp. >>> *Deschideți mai rar ușile.*
- Este posibil ca ușa să fie întredeschisă. >>> *Închideți complet ușa.*
- Este posibil ca frigiderul să fi fost conectat recent la priză sau să fi fost umplut recent cu alimente. >>> *Acest lucru este normal. Dacă frigiderul a fost conectat recent la priză sau a fost umplut cu alimente, va dura mai mult până frigiderul va atinge temperatura setată.*
- Este posibil ca în frigider să fi fost introduse recent cantități mari de alimente calde. >>> *Nu introduceți alimente calde în frigider.*

### **Vibrații sau zgomot.**

- Podeaua este denivelată sau instabilă. >>> *Dacă frigiderul se clatină când este împins ușor, reglați picioarele pentru a echilibra frigiderul. De asemenea, asigurați-vă că podeaua este suficient de stabilă și poate susține frigiderul.*
- Zgomotul poate fi provocat de obiectele amplasate pe frigider. >>> *Aceste obiecte trebuie îndepărtate de pe frigider.*

## Depanare

### Frigiderul emite zgomote asemănătoare curgerii sau pulverizării lichidelor etc.

- Funcționarea frigiderului se bazează pe circulația gazelor și lichidelor. >>> *Acesta este un fenomen normal și nu reprezintă o defecțiune.*

### Frigiderul emite un zgomot similar cu șuieratul vântului.

- Frigiderul este prevăzut cu un ventilator pentru răcire. Acesta este un fenomen normal și nu reprezintă o defecțiune.

### Condens pe pereții interiori ai frigiderului.

- Mediile calde și umede favorizează formarea gheții și condensului. Acesta este un fenomen normal și nu reprezintă o defecțiune.
- Este posibil ca ușile să fi fost deschise frecvent sau lăsate întredeschise mai mult timp. >>> *Deschideți mai rar ușile; dacă ușa este deschisă, închideți-o.*
- Este posibil ca ușa să fie întredeschisă. >>> *Închideți complet ușa.*

### Condens în exteriorul frigiderului sau între uși.

- Este posibil ca mediul să fie umed. Acest fenomen este normal în medii umede. >>> *La reducerea umidității, condensul va dispărea.*

### Mirosuri neplăcute în frigider.

- Frigiderul nu este curățat periodic. >>> *Curățați periodic interiorul frigiderului folosind un burete, apă caldă și carbonată.*
- Este posibil ca mirosul să fie cauzat de anumite recipiente și ambalaje. >>> *Folosiți un recipient sau un ambalaj care nu prezintă mirosuri neplăcute.*
- Alimentele au fost puse în recipiente deschise. >>> *Păstrați alimentele în recipiente închise. Alimentele neetanșate corespunzător pot răspândi microorganisme și se pot acumula mirosuri neplăcute.*
- Aruncați toate alimentele expirate sau alterate din frigider.

### Ușa nu se închide.

- Este posibil ca alimentele să împiedice închiderea ușii. >>> *Mutați alimentele care împiedică închiderea ușii.*
- Este posibil ca frigiderul să fie înclinat. >>> *Reglați picioarele de pentru a echilibra frigiderul.*
- Podeaua este denivelată sau instabilă. >>> *Asigurați-vă că podeaua este plană și suficient de stabilă pentru a putea susține frigiderul.*

### Compartimentul pentru legume este blocat.

- Este posibil ca alimentele să atingă partea superioară a sertarului. >>> *Rearanjați alimentele în sertar.*



**AVERTISMENT:** Dacă problema persistă după ce ați urmat instrucțiunile din acest capitol, contactați distribuitorul dvs. sau un centru de service autorizat. Nu încercați să reparați produsul.

## **Před použitím produktu si pozorně přečtěte tento návod k obsluze.**

Vážení zákazníci,

Chceme Vám poskytnout možnost nejlepšího použití našeho výrobku, který byl vyroben v moderních zařízeních s péčí a důkladnou kontrolou kvality.

Také, před použitím výrobku Vám doporučujeme přečíst si celý návod k použití. V případě odprodeje výrobku, nepameneňte předat návod jeho novému majiteli společně s výrobkem.

### **Tato příručka vám pomůže abyste mohli výrobek používat rychle a bezpečně.**

- Před instalací a použitím výrobku si prosím pozorně přečtěte uživatelskou příručku.
- Vždy dodržujte platné bezpečnostní předpisy.
- Mějte uživatelskou příručku v dosahu pro budoucí použití.
- Přečtěte si prosím všechny další dokumenty dodané s výrobkem.

Nezapomínejte, že tato Uživatelská příručka se může vztahovat na několik modelů výrobků. Příručka jasně ukáže všechny variace různých modelů.

	Důležité informace a užitečné tipy.
	Ohrožení života a majetku.
	Riziko zranění elektrickým proudem
	Obal tohoto výrobku je vyroben z recyklovatelných materiálů, v souladu s Národní legislativou pro životní prostředí.



## **1 Bezpečnostní pokyny a životní prostředí** **3**

Všeobecná bezpečnost . . . . .	3
1.1.1 Varování HC . . . . .	5
1.1.2 Pro modely s dávkovačem vody . . . . .	5
1.1. Účel použití . . . . .	6
1.2. Bezpečnost dětí . . . . .	6
1.3. Soulad se směrnici WEEE a Odstranění odpadů výrobku . . . . .	6
1.4. Soulad se směrnici RoHS. . . . .	6
1.5. Informace o balení. . . . .	6

## **2 Vaše lednička** **7**

### **3 Instalace** **8**

3.1. Správné místo pro instalaci . . . . .	8
3.2. Připojení plastových klínů. . . . .	8
3.3. Nastavení stojanů . . . . .	8
3.4. Připojení napájení . . . . .	9
3.5. Obrácení dveří. . . . .	10
3.6. Obrácení dveří. . . . .	11

### **4 Příprava** **12**

4.1. Co udělat pro úsporu energie. . . . .	12
4.2. První uvedení do provozu. . . . .	12

### **5 Tlačítko pro Nastavení teploty** **13**

5.1. Tlačítko pro Nastavení teploty . . . . .	13
5.2. Rychlé zmrazování . . . . .	13
5.3. Funkce Dovolená. . . . .	14
5.4. Tlačítko nastavení termostatu . . . . .	14
5.5. Tlačítko nastavení termostatu . . . . .	14
5.6. Odmrazování. . . . .	15
5.7. Panel indikátorů . . . . .	16
5.8. Indikační panel . . . . .	17
5.9. Indikační panel . . . . .	19
5.10. Zásobník na led . . . . .	25
5.11. Držák na vajíčka. . . . .	25
5.12. Ventilátor . . . . .	25
5.13. Zásobník na zeleninu . . . . .	25
5.14. Oddělení Nulového stupně . . . . .	25
5.15. Pohyblivý stojan ve dveřích. . . . .	26

5.16. Posuvná odkládací schránka . . . . .	26
5.17. Použití druhého prostoru pro zeleninu a ovoce; . . . . .	27
5.18. Pohlcovač pachů . . . . .	28
5.19. Zásobník na zeleninu s kontrolou vlhkosti . . . . .	29
5.20. Automatický výrobek ledu . . . . .	29
5.21. Icematic a držák na skladování ledu . . . . .	30
5.22. Použití dávkovače vody. . . . .	30
5.23. Plnění nádrže dávkovače na vodu . . . . .	31
5.24. Čištění nádrže na vodu . . . . .	32
5.25. Odkapávací zásobník . . . . .	33
5.26. Zmrazování čerstvých potravin . . . . .	34
5.27. Doporučení pro skladování zmrazených potravin. . . . .	34
5.28. Podrobnosti o mrazničce . . . . .	35
5.29. Umístění jídla. . . . .	35
5.30. Upozornění na otevřené dveře. . . . .	35
5.31. Změna směru otevírání dveří . . . . .	35
5.32. Vnitřní osvětlení . . . . .	35

### **6 Údržba a čištění** **36**

6.1. Zabránění vzniku nepříjemných pachů . . . . .	36
6.2. Ochrana plastových povrchů . . . . .	36
6.3. Dveřní skla . . . . .	36

### **7 Řešení problémů** **37**

# 1 Bezpečnostní pokyny a životní prostředí

Tato část obsahuje bezpečnostní pokyny nezbytné pro zabránění nebezpečí zranění a materiálních škod. Nedodržením těchto pokynů zanikají všechny typy záruky výrobku.

## Určené použití



### UPOZORNĚNÍ:

V případě, že je zařízení v ochranné fázi nebo umísteno, ujistěte se, zda nejsou odvětrávací díry uzavřeny.

### UPOZORNĚNÍ:

Za účelem urychlení rozpouštění ledu nepoužívejte žádné jiné mechanické zařízení nebo jiný přístroj než ty jež byly doporučeny výrobcem.

### UPOZORNĚNÍ:

Pokud je chladidlo v provozu, nezasahujte do jeho obvodu.

### UPOZORNĚNÍ:

Uvnitř skladovacích prostor jídla přístroje nepoužívejte jiná elektrická zařízení než ta, která byla doporučena výrobcem.

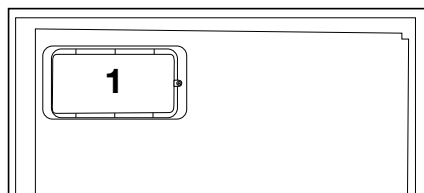
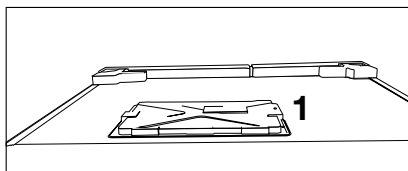
Toto zařízení bylo navrženo pro použití v domácnosti nebo pro níže uvedené aplikování.

- V kuchyních personálu obchodů, kanceláří a jiných pracovních míst;
- Za účelem použití návštěvníky farem a hotelů, motelů a jiných míst s ubytováním.
- V prostorách typu penzionů
- V podobných zařízeních, která nejsou stravovacími službami nebo maloobchodem.

## Všeobecná bezpečnost

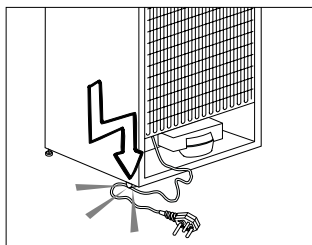
- Tento produkt by neměly používat osoby s tělesným, smyslovým a mentálním postižením, osoby bez dostatečných znalostí a zkušeností, nebo děti. Zařízení mohou tyto osoby používat jen pod dohledem a po poučení osobou odpovědnou za jejich bezpečnost. Nedovolte dětem hrát si s tímto zařízením.
- V případě poruchy přístroj odpojte.
- Po odpojení počkejte nejméně 5 minut před opětovným připojením. Odpojte výrobek, když se nepoužívá. Nedotýkejte se zástrčky mokřkýma rukama! Při odpojování netahejte za kabel, vždy uchopte zástrčku.
- Před zasunutím dovnitř otřete hrot síťové zástrčky suchým hadříkem.
- Nezapojujte ledničku, pokud je zásuvka uvolněná.
- Při instalaci, údržbě, čištění a opravách odpojte výrobek.
- Pokud se výrobek nebude delší dobu používat, odpojte jej a vyjměte potraviny.
- Nepoužívejte páru nebo čisticí prostředky s párou pro čištění chladničky a tání ledu uvnitř. Pára může přijít do styku s elektrifikovanými oblastmi a způsobit zkrat nebo elektrický šok!
- Nemyjte výrobek stříkáním nebo poléváním vodou na něj! Nebezpečí úrazu elektrickým proudem!
- Nikdy nepoužívejte výrobek, pokud část nacházející se na horní nebo zadní straně výrobku s elektronickou deskou s plošným spojem uvnitř je otevřená (krycí deska elektronických plošných spojů) (1).

## Bezpečnostní pokyny a životní prostředí



- V případě jeho poruchy výrobek nepoužívejte, protože by mohlo dojít k úrazu elektrickým proudem. Před tím, než cokoliv uděláte, se obraťte na autorizovaný servis.
- Výrobek zapojte do uzemněné zásuvky. Uzemnění musí být provedeno kvalifikovaným elektrikářem.
- Pokud produkt má osvětlení typu LED, pro jeho nahrazení nebo v případě jakéhokoliv problému se obraťte na autorizovaný servis.
- Nedotýkejte se mražených potravin mokřkýma rukama! Mohou se nalepit na Vaše ruce!
- Nepokládejte do mrazničky tekutiny v lahvích a plechovkách. Mohou vybuchnout!
- Tekutiny umístěte ve vzpřímené poloze a pevně uzavřete jejich víko.
- Nestříkejte hořlavé látky v blízkosti výrobku, protože se může zapálit nebo explodovat.
- Nenechávejte hořlavé materiály a produkty s hořlavým plynem (spreje, atd.) v chladničce.

- Nepokládejte nádoby obsahující kapaliny na horní část výrobku. Voda stříkající na elektrifikované části může způsobit úraz elektrickým proudem a nebezpečí požáru.
- Vystavení produktu dešti, sněhu, slunci a větru může způsobit elektrické nebezpečí. Při přemísťování výrobku jej netahejte držením za rukojeť dveří. Rukojeť se může odtrhnout.
- Dbejte na to, aby nedošlo k zachycení jakékoliv části vašich rukou či těla do jakýchkoli z pohybujících se částí uvnitř výrobku.
- Nevylézejte nebo se neopírejte o dveře, zásuvky a podobné části chladničky. Může to mít za následek pád výrobku a způsobit poškození dílů.
- Dávejte pozor, aby nedošlo k přivření napájecího kabelu.



- Při umístění zařízení se ujistěte, že napájecí kabel není zachycen nebo poškozen.
- Neumísťujte více přenosných zásuvek nebo přenosných zdrojů napájení vzadu od zařízení.

## Bezpečnostní pokyny a životní prostředí

- Vaši Side-by-Side chladničku je třeba připojit k přípojce na vodu. Pokud ještě není k dispozici žádný vodovodní kohoutek a musíte zavolat instalatéra, nezapomeňte: V případě, že je váš dům vybaven podlahovým topením, zvažte, že vrtání otvorů do betonového stropu může tento topný systém poškodit!
- Děti ve věku od 3 do 8 let smí nakládat a vykládat chladicí zařízení.
- Abyste předešli znečištění jídla, dodržujte prosím následující pokyny:
- Ponecháte-li dvířka otevřená po dlouhou dobu, může to způsobit značné zvýšení teploty v odděleních zařízení.
- Pravidelně očišťujte povrchy, které mohou přijít do kontaktu s jídlem, a přístupné odtokové systémy.
- Očišťujte nádrže na vodu, pokud nebyly používány během 48 h; propláchněte vodní systém připojený k přívodu vody, pokud jste nečerpali vodu ze zařízení během 5 dní.
- Syrové maso a ryby uchovávejte v chladničce ve vhodných nádobách, aby nepřicházely do kontaktu s jídlem ani na něho nemohly ukápnout.
- Oddělení se dvěma hvězdičkami pro mražené potraviny jsou vhodná pro uchovávání předem zmražených jídel, uchovávání nebo přípravu zmrzliny a výrobu kostek ledu.
- Oddělení s jednou, dvěma a třemi hvězdičkami nejsou vhodná pro zmrazení čerstvého jídla.
- Je-li chladicí zařízení ponecháno prázdné po dlouhou dobu, vypněte ho, rozmrazte, očistěte, osušte a nechte dvířka otevřená, abyste tak zabránili tvoření plísní uvnitř zařízení.

### 1.1.1 Varování HC

Jestliže výrobek obsahuje chladicí systém ve kterém se používá plyn R600a, zajistěte, aby při používání a pohybování spotřebiče nedošlo k poškození chladicího systému a jeho potrubí. Tento plyn je hořlavý. Pokud je chladicí systém poškozen, zajistěte, aby bylo zařízení mimo dosah zdrojů ohně a okamžitě vyvětrejte místnost.



Štítek na vnitřní levé straně označuje druh plynu používaného v produktu.

### 1.1.2 Pro modely s dávkovačem vody

- Tlak pro přívod studené vody musí být maximálně 90 psi (620 kPa). Pokud je váš tlak vody vyšší než 80 psi (550 kPa), použijte ve vaší síti ventil na omezování tlaku. Pokud nevíte, jak zkontrolovat tlak vody, požádejte o pomoc profesionálního instalatéra.
- Pokud při instalaci existuje riziko vodního rázu, vždy použijte preventivně zařízení proti vodnímu rázu. Pokud jste si není jistý, zda ve Vaší síti je efekt vodního rázu, porad'te se s profesionálním instalatérem.

## Bezpečnostní pokyny a životní prostředí

- Neinstalujte na přívodu pro teplou vodu. Proveďte nezbytná opatření proti riziku zamrznutí hadic. Provozní interval teplota vody musí být mezi minimálně 33 ° F (0,6 ° C) a maximálně 100 ° F (38 ° C).
- Používejte pouze pitnou vodu.

### 1.1. Účel použití

- Tento výrobek je určen pro domácí použití. Není určen pro komerční použití.
- Spotřebič by měl být používán pouze pro skladování potravin a nápojů.
- Do chladničky neukládejte citlivé produkty, které vyžadují řízené teploty (očkovací látky, léky citlivé na teplo, zdravotnický materiál, atd.).
- Výrobce nenese žádnou zodpovědnost za případné škody způsobené nesprávným použitím nebo nesprávnou manipulací.
- Životnost výrobku je 10 let. Náhradní díly potřebné pro funkčnost tohoto výrobku budou pro toto období k dispozici.

### 1.2. Bezpečnost dětí

- Obalové materiály uchovávejte mimo dosah dětí.
- Nedovolte dětem, aby se s výrobkem hrály.
- Pokud je na dveřích výrobku zámek, klíč držte mimo dosah dětí.

### 1.3. Soulad se směrnicí WEEE a Odstranění odpadů výrobku

Tento výrobek splňuje požadavky směrnice WEEE EU (2012/19/EU). Na tomto produktu je zobrazen symbol klasifikace odpadu elektrických a elektronických zařízení (OEEZ).



Tento výrobek byl vyroben z vysoce kvalitních materiálů a komponent, které lze opětovně použít a které jsou vhodné pro recyklaci. Na konci své životnosti spotřebič nevyhazujte spolu s běžnými domácími a jinými odpady. Odneste jej do sběrného centra pro recyklaci elektrických a elektronických zařízení. Pro informace o těchto sběrných střediskách se prosím obraťte na místní úřady.

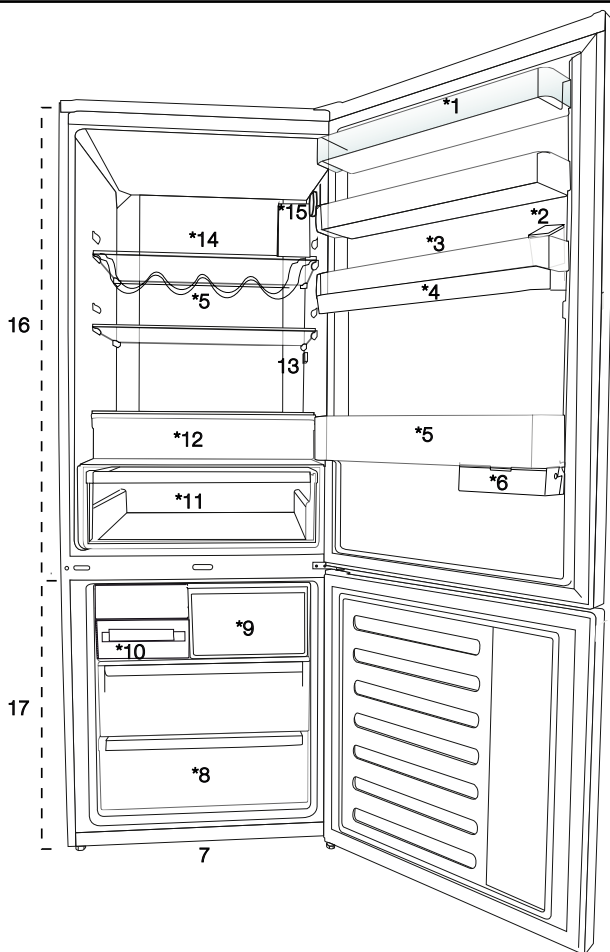
### 1.4. Soulad se směrnicí RoHS

- Tento výrobek splňuje požadavky směrnice WEEE EU (2011/65/EU). Neobsahuje škodlivé a zakázané látky uvedené ve směrnici.

### 1.5. Informace o balení

- Obalové materiály výrobku jsou vyrobeny z recyklovatelných materiálů v souladu s našimi národními předpisy o životním prostředí. Nevyhazujte obalové materiály spolu s domácími nebo jinými odpady. Vezměte je do sběrných míst pro obalové materiály určené místními orgány.

## 2 Vaše lednička



1. Police v dveřích chladicí části
2. Plnicí nádrž dávkovače vody
3. Část pro vajíčka
4. Zásobník dávkovače vody
5. Police pro láhve
6. Posuvná odkládací schránka
7. Nastavitelné nohy
8. Oddíl mrazničky
9. Část rychlého mražení
10. Zásobník na ledové kostky a akumulovaný led
11. Zásobník na zeleninu
12. Oddělení Nulového stupně
13. Vnitřní osvětlení
14. Skleněná police v chladicí části
15. Tlačítko pro Nastavení teploty
16. Chladicí prostor
17. Mrazicí prostor

**(U některých modelů nemusí být k dispozici)**



**\*volitelné:** Obrázky uvedené v této příručce jsou uváděny jako příklad a nemusí se přesně shodovat s Vaším produktem. Pokud váš výrobek neobsahuje příslušné části, tyto informace se vztahují na ostatní modely.

### 3.1. Správné místo pro instalaci

Pro instalaci výrobku se obraťte na autorizovaný servis. Pro přípravu produktu pro instalaci vyhledejte informace v uživatelské příručce a ujistěte se, že jsou k dispozici požadované elektrické a vodovodní nástroje. Pokud ne, pro uspořádání těchto nástrojů podle potřeby se obraťte na elektrikáře a vodoinstalatěři.



**VAROVÁNÍ:** Výrobce nenesе žádnou odpovědnost za škodu způsobenę prací vykonanou neoprávněnými osobami.



**VAROVÁNÍ:** V průběhu instalace musí být napájecí kabel tohoto výrobku odpojen. Pokud tak neučiníte, může to mít za následek smrt nebo vážné zranění!



**VAROVÁNÍ:** Pokud je rozpětí dveří příliš úzké pro přenesení výrobku, odmontujte dveře a otočte produkt na bok, pokud to nefunguje, obraťte se na autorizovaný servis.

- Pro zabránění vibracím umístěte výrobek na rovný povrch.
- Umístěte výrobek alespoň 30 cm od radiátorů, kamen a podobných tepelných zdrojů a alespoň 5 cm od elektrických trub
- Nevystavujte výrobek přímému slunečnímu záření nebo jej neponechávejte ve vlhkém prostředí.
- Výrobek pro své efektivní fungování vyžaduje dostatečnou cirkulaci vzduchu.
- Pokud bude výrobek umístěn ve výklenku, nezapomeňte nechat nejméně 5 cm odstup mezi produktem, stropem a stěnami.
- Neinstalujte výrobek v prostředí s teplotami pod  $-5^{\circ}\text{C}$ .

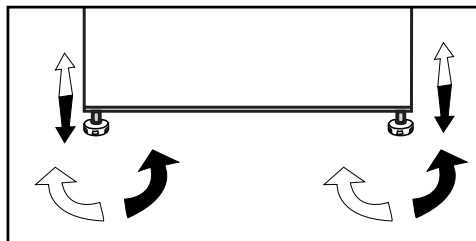
### 3.2. Připojení plastových klínů

Použijte plastové klíny dodané s produktem pro zajištění dostatečného prostoru pro cirkulaci vzduchu mezi výrobkem a stěnou.




1. Chcete-li připojit klíny, odstraňte šrouby na výrobku a použijte šrouby dodané s klíny.
2. Připevněte 2 plastové klíny na kryt větrání jako jsou zobrazeny na obrázku.

### 3.3. Nastavení stojanů


Pokud výrobek není v rovnovážné poloze, nastavte přední nastavitelné stojany jejich otáčením směrem doprava nebo doleva.



### 3.4. Připojení napájení

	<b>VAROVÁNÍ:</b> Pro napájení nepoužívejte rozšířené nebo sdružené zásuvky.
	<b>VAROVÁNÍ:</b> Poškozený napájecí kabel musí být vyměněn autorizovaným servisem.
	Při umístění dvou chladniček v přilehlé pozici, mezi dvěma jednotkami nechejte vzdálenost nejméně 4 cm.

- Naše společnost nenese zodpovědnost za případné škody vzniklé v důsledku použití bez uzemnění a připojení napájení v nesouladu s vnitrostátními předpisy.
- Zásuvka napájecího kabelu musí být snadno přístupná i po instalaci.
- Mezi zásuvkou a ledničkou nepoužívejte rozdvojku nebo prodlužovací kabel.

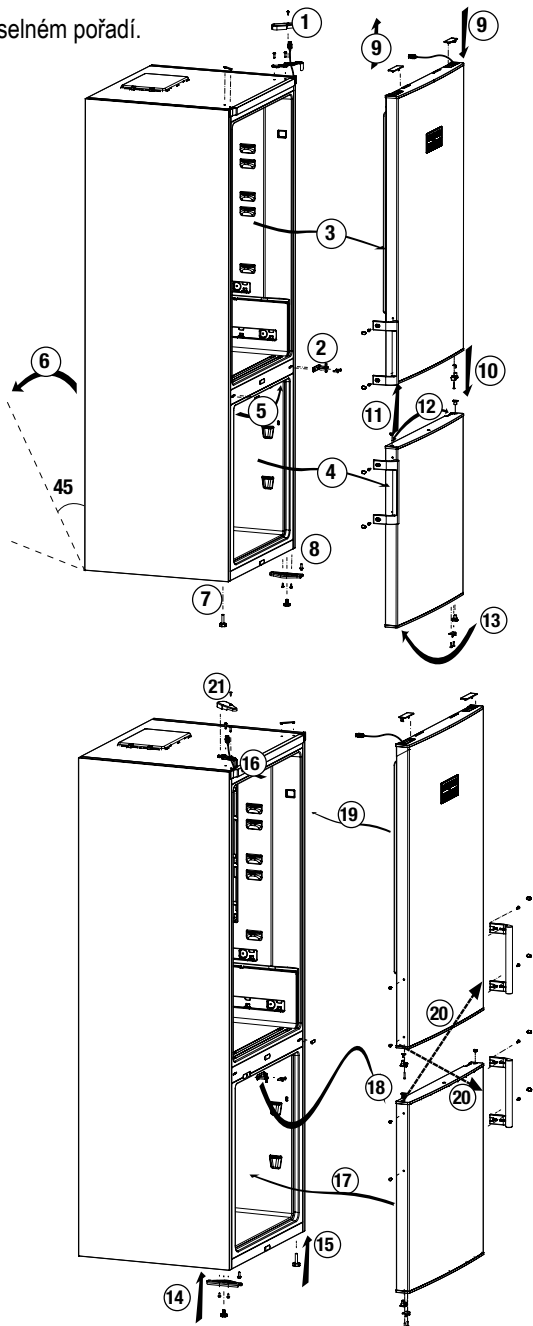
	Výstraha před horkým povrchem Boční stěny vašeho produktu jsou vybaveny potrubím s chladivem pro zlepšení chladičích systémů. Přes tyto oblasti může proudit chladivo s vysokými teplotami, což vede k horkým povrchům bočních stěn. To je normální a nepotřebuje žádnou opravu. Dbejte na to, když se dotýkáte těchto oblastí.
---	--



## Instalace

### 3.5. Obrácení dveří

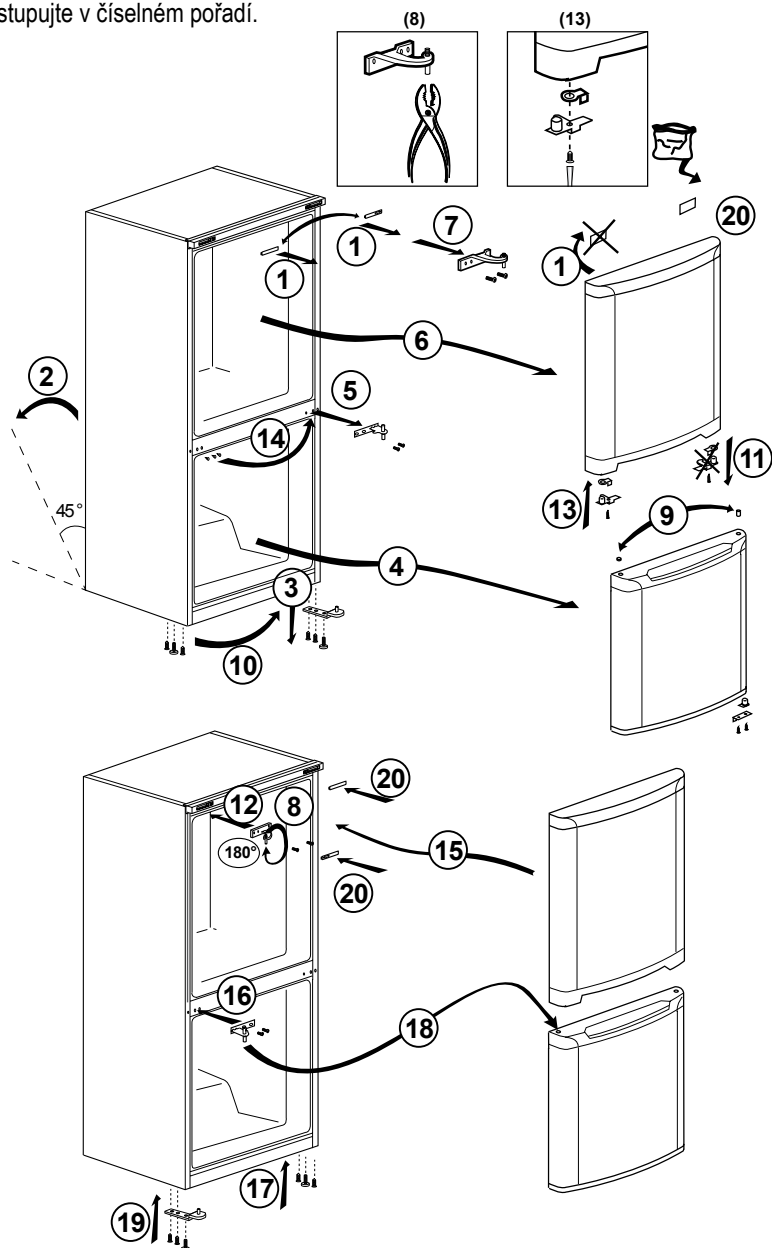
Postupujte v číselném pořadí.



## Instalace

### 3.6. Obrácení dveří

Postupujte v číselném pořadí.



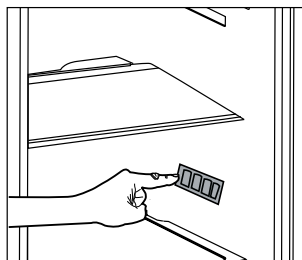
### 4.1. Co udělat pro úsporu energie



Připojení výrobku k elektronickým systémům pro úsporu energie je škodlivé, protože může dojít k poškození výrobku.

- Nenechávejte dveře chladničky otevřeny po delší dobu.
- Nevkládejte do chladničky horké potraviny nebo nápoje.
- Nepřepíňujte chladničku; blokování vnitřního toku vzduchu sníží chladicí kapacitu.
- Abyste mohli uchovávat maximální množství potravin v chladnějším prostoru vaší ledničky, vyberte horní zásuvku a položte ji na skleněnou polici. Deklarovaná spotřeba energie chladničky byla určena po vyjmutí chladiče, zásobníku na led a horní zásuvky, což umožní vytvořit maximální skladovací prostor. Při skladování důrazně doporučujeme použití spodní zásuvky. Nejlepší spotřebu energie aktivujte funkci úspory energie.
- Neblokujte proudění vzduchu tím, že umístíte jídlo před ventilátor chladiče. Při umístění potravin je třeba zajistit minimálně 3 cm prostor před ochrannými mřížemi ventilátoru.
- V závislosti na funkcích tohoto výrobku; rozmrazování zmrazených potravin v chladnějším prostoru zajistí úsporu energie a zachování kvality potravin.
- Jídlo ukládejte pomocí použití zásuvek v chladicím prostoru, s cílem zajištění úspory energie a ochrany potravin v lepších podmínkách.
- Balíky potravin nesmí být v přímém kontaktu s čidlem tepla, nacházejícího se v chladicím prostoru. V případě pokud se dotýkají čidla, může se zvýšit spotřeba energie zařízení.
- Ujistěte se, že potraviny nejsou v kontaktu s čidlem teploty prostoru chladničky popsaného níže.

- Protože horký a vlhký vzduch se nedostane přímo do vašeho výrobku, když nejsou dvířka otevřena, spotřebič se optimalizuje ve stávajících podmínkách tak, aby nadějně chránil jídlo umístěné uvnitř. Funkce a součásti, jako jsou kompresor, ventilátor, rozmrazovač, osvětlení, displej aj., budou fungovat tak, aby za těchto podmínek spotřebovali minimální množství energie.



### 4.2. První uvedení do provozu

Před použitím chladničky se ujistěte, že byly provedeny všechny nezbytné přípravy v souladu s pokyny uvedenými v kapitolách “Bezpečnostní pokyny a životní prostředí” a “Instalace”.

- Nechte výrobek běžet bez jídla v jeho nitru po dobu 6 hodin a neotvírejte dveře, pokud to není nezbytně nutné.



Když se kompresor zapne, uslyšíte zvuk. Je normální slyšet zvuk, i když kompresor není aktivní, v důsledku stlačené kapaliny a plynu v chladicím systému.



Přední hrany produktu se mohou zahřát. To je normální. Tyto oblasti jsou navrženy tak, aby se zahřály, s cílem zabránění kondenzace.



U některých modelů se panel indikátoru automaticky vypne po 5 minutách po zavření dveří. Znovu se aktivuje když se dveře otevřou nebo po stisknutí tlačítka.

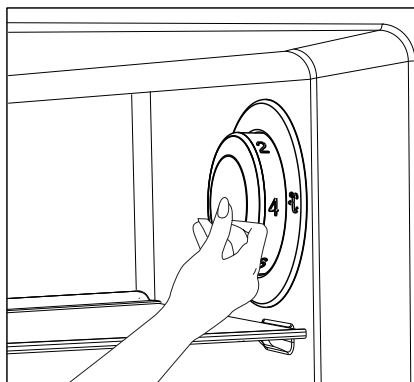
### 5.1. Tlačítko pro Nastavení teploty

Vnitřní teplota chladničky se může měnit z následujících důvodů:

- Sezónní teploty,
- Časté otevírání dveří a ponechání jejích v otevřeném stavu po delší dobu.
- Uložení jídel do chladničky bez jejich vychladnutí na pokojovou teplotu.
- Umístění chladničky v místnosti (např. vystavení slunečnímu záření).
- Vnitřní změnu teploty v důsledku těchto faktorů lze upravit pomocí tlačítka pro nastavení.

Čísla kolem tlačítka pro nastavení uvádějí teplotní stupně v "°C".

Pokud je okolní teplota 20 °C, doporučujeme používat nastavení teploty chladničky na teplotu 4 °C. V případě jiných teplotách je možné tuto hodnotu přizpůsobit.

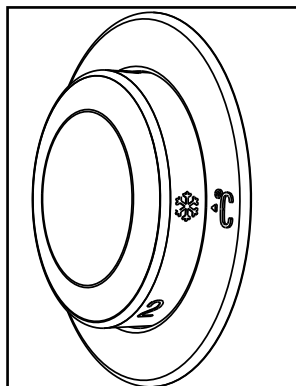


### 5.2. Rychlé zmrazování

Chcete-li zmrazit velké množství čerstvých potravin, před uložením potravin do rychlého mrazicího boxu přepněte tlačítko pro nastavení teploty (❄).

Doporučuje se ponechat tlačítko v této poloze po dobu 24 hodin pro zmrazení maximálního množství potravin, které je uvedeno jako kapacita mrazení. Věnujte pozornost tomu, abyste při skladování vzájemně nemísily mražené a čerstvé potraviny.

Nezapomeňte přepnout tlačítko pro nastavení teploty zpět do původní polohy.

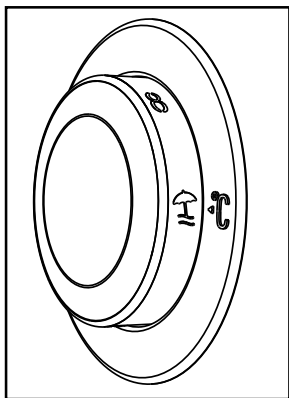


## Tlačítko pro Nastavení teploty

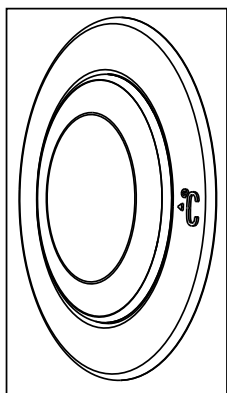
### 5.3. Funkce Dovolená

Pokud se dveře výrobku (↑) neotevrou po dobu nejméně 12 hodin po nastavení tlačítka nastavení teploty na nejvyšší hodnotu, automaticky se aktivuje funkce Dovolená. Pro zrušení funkce je třeba změnit nastavení tlačítek.

Když je aktivována funkce Dovolená, nedoporučuje se skladovat potraviny v chladicím prostoru.

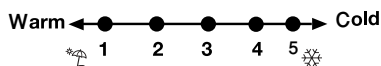


- Po dokončení nastavení lze ukryt tlačítko nastavení teploty jeho stiskem dovnitř.



### 5.4. Tlačítko nastavení termostatu

Provozní teplota je regulována ovládáním teploty.



1 = Nastavení nejnižšího chlazení (Nejteplejší nastavení).

4 = Nastavení nejvyššího chlazení (Nejchladnější nastavení).

Průměrná teplota v prostoru chladničky by měla být zhruba +5 °C.

Zvolte nastavení podle požadované teploty. Povšimněte si, že v chladicím prostoru bude různá teplota.

Nejchladnější místo je hned nad prostorem na zeleninu.

Vnitřní teplota také závisí na teplotě prostředí, frekvenci otvírání dveří a množství jídla uvnitř. Častým otevíráním dveří teplota uvnitř stoupne.

Z tohoto důvodu doporučujeme zavírat dvířka co nejrychleji po jejich otevření.

### 5.5. Tlačítko nastavení termostatu

Vnitřní teplota chladničky se mění z následujících důvodů:

- sezónní teploty,
- časté otvírání dveří a ponechání otevřených dveří po delší dobu,
- vložení do chladničky jídla, které nevychladlo předem na pokojovou teplotu,
- místo chladničky v pokoji (např. vystavení slunečnímu světlu).
- Pomocí termostatu můžete upravovat měnící se teplotu uvnitř chladničky vzhledem k těmto příčinám. Čísla kolem tlačítka termostatu označují stupně chlazení.

## Tlačítko pro Nastavení teploty

- Je-li okolní teplota vyšší než 32°C, otočte tlačítko termostatu do maximální polohy.
- Je-li okolní teplota nižší než 25°C, otočte tlačítko termostatu do minimální polohy.

## 5.6. Odmrazování

### Prostor chladničky

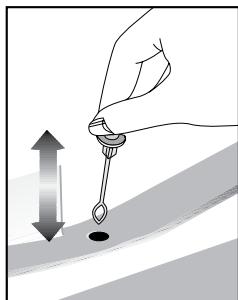
V prostoru chladničky dochází k plně automatickému odmrazení. Kapky vody a námraza do síly 7 – 8 mm se mohou objevit na zadní stěně chladničky, když se chladnička ochlazuje. Tyto jevy jsou normálním důsledkem fungování systému chlazení. Námraza se uvolní automaticky v určitých intervalech díky automatickému odmrazení na zadní stěně. Uživatel nemusí odškrabávat námrazu nebo stírat kapky vody.

Voda po odmrazení stéká do drážky pro sběr vody a teče do výparníku odvodňovací trubicí, kde se sama vypařuje.

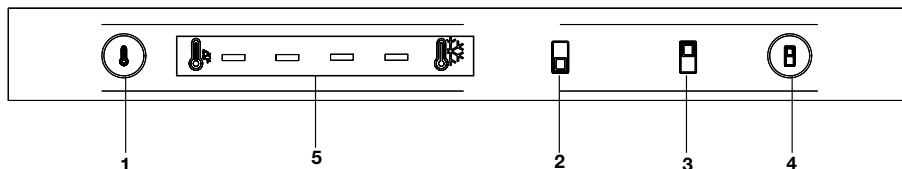
Prostor hlubokého mrazení se automaticky neodmrazuje, aby nedošlo ke snížení kvality zmražených potravin.

Prostor mrazničky se odmrazuje automaticky.

Pravidelně kontrolujte, zda odvodňovací trubice není ucpaná a v případě potřeby ji očistěte pomocí tyčky v otvoru .



### 5.7. Panel indikátorů



- 1.** Tlačítko pro změnu hodnoty chlazení: Používá se k nastavení hodnoty chlazení chladničky a mrazničky. Stisknete-li toto tlačítko, když je rozsvícen indikátor mrazničky (2), změní se chlazení v mrazničce. Stisknete-li toto tlačítko, když je rozsvícen indikátor chladničky (3), změní se chlazení v chladničce.
- 2.** Indikátor prostoru mrazničky: Když je rozsvícen tento indikátor, stávající hodnota chlazení v prostoru mrazničky se zobrazí na indikátoru chlazení (5). Stisknutím tlačítka pro změnu hodnoty chlazení (1) můžete změnit hodnotu chlazení v prostoru mrazničky.
- 3.** Indikátor prostoru chladničky: Když je rozsvícen tento indikátor, stávající hodnota chlazení v prostoru chladničky se zobrazí na indikátoru chlazení (5). Stisknutím tlačítka pro změnu hodnoty chlazení (1) můžete změnit hodnotu chlazení v prostoru chladničky.
- 4.** Přepínač volby prostoru: Používá se pro přepínání mezi prostory chladničky a mrazničky.
- 5.** Indikátor chlazení: Zobrazuje se na něm hodnota chlazení zvoleného prostoru. Hodnota chlazení se zvětšuje zleva doprava.

**(U některých modelů nemusí být k dispozici)**



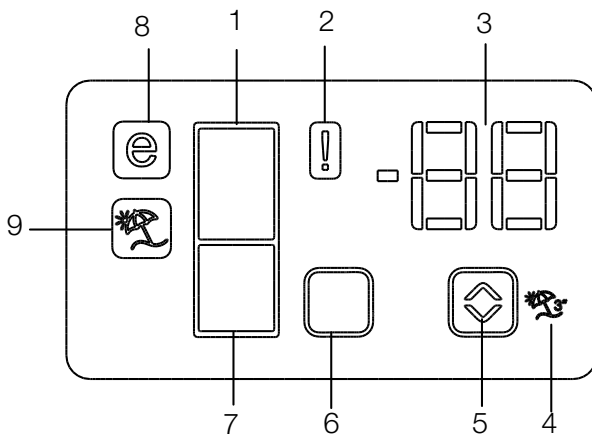
**\*Volitelně:** Údaje uvedené v této uživatelské příručce jsou určeny jako koncepty a nemusí být v dokonalém souladu s Vaším výrobkem. Pokud váš výrobek neobsahuje příslušné části, tyto informace se vztahují na ostatní modely.

## Tlačítko pro Nastavení teploty

### 5.8. Indikační panel

Indikační panely se mohou lišit v závislosti na typu modelu.

Při používání vašeho produktu vám pomohou audio - vizuální funkce, nacházející se na indikačním panelu.



1. Indikátor Chladicího prostoru
2. Indikátor poruchového stavu
3. Indikátor teploty
4. Tlačítko funkce Dovolena
5. Tlačítko pro Nastavení teploty
6. Tlačítko pro volbu Chladicího prostoru
7. Indikátor mrazícího prostoru
8. Indikátor Ekonomického režimu
9. Indikátor funkce Dovolena

**\*volitelné**



**\*Volitelně:** Údaje uvedené v této uživatelské příručce jsou určeny jako koncepty a nemusí být v dokonalém souladu s Vaším výrobkem. Pokud váš výrobek neobsahuje příslušné části, tyto informace se vztahují na ostatní modely.



## **Tlačítko pro Nastavení teploty**

### **1. Indikátor chladicího oddílu**

Při nastavování teploty chladicího prostoru bude světlo chladničky svítit.

### **2. Indikátor poruchového stavu**

Tento indikátor se aktivuje, pokud vaše lednička dostatečně nechladí nebo v případě poruchy čidla. Když je tento indikátor aktivován, na ukazateli teploty mrazničky se zobrazí písmeno "E" a na ukazateli teploty chladničky se zobrazí čísla, jako například "1,2,3 ...". Tato čísla na ukazateli slouží k informování servisního personálu o poruše.

### **3. Indikátor teploty**

Označuje teplotu mrazicího a chladicího prostoru.

### **4. Tlačítko funkce Dovolená**

Pro aktivaci této funkce stiskněte tlačítko Dovolená po dobu 3 sekund. Pokud je aktivována funkce Dovolená, na ukazateli teploty chladničky se zobrazí "- -" av části chladničky nebude aktivní chlazení. Když je tato funkce aktivní, nedoporučuje se skladovat potraviny v chladicím prostoru. Ostatní části budou nadále ochlazovat v souladu s jejich nastavenou teplotou.

Pro zrušení této funkce znovu stiskněte tlačítko Dovolená.

### **5. Tlačítko pro Nastavení teploty**

Mění teplotu příslušného prostoru mezi -24 °C ... -18 °C a 8 °C ... 1 °C.

### **6. Tlačítko pro volbu Chladicího prostoru**

Tlačítko pro volbu: Stiskněte tlačítko pro výběr prostoru pro přepínání mezi odděleními chladničky a mrazničky.

### **7. Indikátor mrazicího prostoru**

Při nastavování teploty mrazicího prostoru bude světlo chladničky svítit.

### **8. Indikátor Ekonomického režimu**

Signalizuje, že chladnička pracuje v úsporném režimu. Tento displej se aktivuje, pokud je teplota mrazničky nastavena na -18 °C.

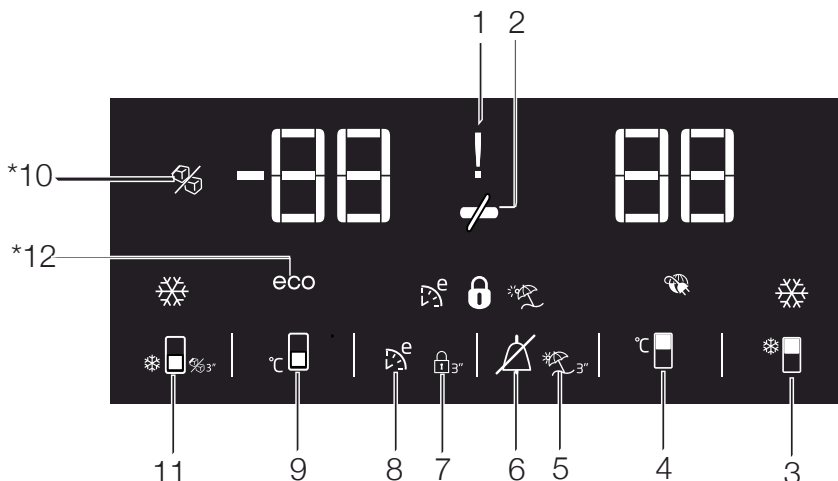
### **9. Indikátor funkce Dovolená**

Ukazuje, že je aktivována funkce Dovolená.

## Tlačítko pro Nastavení teploty

### 5.9. Indikační panel

Indikační panel umožňuje nastavit teplotu a ovládat další funkce produktu bez otevření dveří produktu. Pro nastavení funkcí stačí stisknout nápisy na příslušných tlačítkách.



#### 1. Indikátor výpadku proudu / vysoké teploty / poruchy

Tento indikátor (⚡) se rozsvítí při výpadku proudu, vysokoteplotních poruchách a při varování na poruchy. Na digitálním displeji bude blikat nejvyšší teplota, kterou mraznička dosáhla během trvalého výpadku napájení. Po kontrole potravin umístěných v mrazicí části (❄️), pro zrušení upozornění stiskněte tlačítko zrušení alarmu.

#### 2. Funkce úspory energie (vypnutý displej):

Pokud jsou dveře zavřené produktu dlouhou dobu, automaticky se aktivuje funkce úspory energie a rozsvítí se symbol úspory energie. (🔌)

Když je aktivována funkce úspory energie, vypnou se všechny symboly na displeji, kromě symbolu úspory energie. Pokud je aktivována funkce pro úsporu energie, pokud stisknete jakékoliv tlačítko nebo otevřete dveře, funkce úspory energie se zruší a symboly na displeji se vrátí do normálu. Funkce Úspora energie se aktivuje při expedici z výroby, a nemůže být zrušena.

#### 3. Funkce Rychlého chlazení

Toto tlačítko má dvě funkce. Chcete-li aktivovat nebo deaktivovat funkci rychlého chlazení stiskněte toto tlačítko krátce. Indikátor Rychlého chlazení se vypne a produkt se vrátí k normálnímu nastavení. (❄️)



**\*Volitelně:** Údaje uvedené v této uživatelské příručce jsou určeny jako koncepty a nemusí být v dokonalém souladu s Vašim výrobkem. Pokud váš výrobek neobsahuje příslušné části, tyto informace se vztahují na ostatní modely.

## Tlačítko pro Nastavení teploty



Funkci rychlého chlazení použijte, když chcete rychle ochladit potraviny umístěné v chladničce. Chcete-li ochladit velké množství čerstvých potravin, aktivujte tuto funkci před uložením potravin do produktu.



Pokud ji nezrušíte, rychlé chlazení se zruší automaticky po 8 hodinách nebo pokud teplota v chladicí části klesne na požadovanou teplotu.



Pokud opakovaně stisknete tlačítko rychlého chlazení s krátkými intervaly, aktivuje se ochrana elektronického obvodu a kompresor se nespustí okamžitě.



Když se obnoví dodávka energie po výpadku napájení, tato funkce se neobnoví.

### 4. Tlačítko nastavení teploty chladicí části

Opakovaně stiskněte toto tlačítko pro nastavení teploty chladničky na 8, 7,6, 5,4,3, 2, 8, .... Stiskněte toto tlačítko pro nastavení teploty v chladničce na požadovanou hodnotu. ( )

### 5. Funkce Dovolena

Aby bylo možné aktivovat funkci Dovolena, stiskněte toto tlačítko ( ) po dobu 3 sekund, a aktivuje se indikátor režimu Dovolena ( ). Pokud je aktivována funkce Dovolena, na ukazateli teploty chladničky se zobrazí "- -" av části chladničky nebude aktivní chlazení. Když je tato funkce aktivní, nedoporučuje se skladovat potraviny v chladicím prostoru. Ostatní části budou nadále ochlazovat v souladu s jejich nastavenou teplotu.

Pro zrušení této funkce znovu stiskněte tlačítko funkce Dovolena.

### 6. Zrušení alarmu:

V případě alarmu výpadku proudu / vysoké teploty, po kontrole potravin umístěných v mrazicí části ( ), pro zrušení upozornění stiskněte tlačítko zrušení alarmu.

### 7. Zámek tlačítek

Podržte tlačítko Zámku tlačítek ( ) souvisle po dobu 3 sekund. Rozsvítí se Symbol Zámku tlačítek

( ) A režim Zámku tlačítek se aktivuje. Pokud je režim Zámek tlačítek aktivní, tlačítka nebudou fungovat. Opět podržte tlačítko Zámku tlačítek ( ) souvisle po dobu 3 sekund. Symbol Zámku tlačítek se vypne a vypne se také režim zámku tlačítek.

Pokud chcete zabránit úpravám nastavení teploty v chladničce ( ), stiskněte tlačítko zámek tlačítek.

### 8. Eco Fuzzy

Stiskněte a podržte tlačítko Eco Fuzzy po dobu 1 sekundy pro aktivaci funkce Eco Fuzzy. Chladnička začne pracovat v nejpřísnějším ekonomickém režimu nejméně 6 hodin později a když je funkce aktivní, rozsvítí se indikátor ekonomického režimu ( ). Stiskněte a podržte tlačítko Eco Fuzzy po dobu 3 sekund pro deaktivaci funkce Eco Fuzzy.

Tento indikátor se rozsvítí po 6 hodinách, kdy bude funkce Eco Fuzzy aktivována.

### 9. Tlačítko nastavení teploty mrazicí části

Opakovaně stiskněte toto tlačítko pro nastavení teploty mrazničky na -18, -19, -20, -21, -22, -18, .... Stiskněte toto tlačítko pro nastavení teploty v mrazničce na požadovanou hodnotu. ( )

### 10. Indikátor vypnutí výrobce ledu Icematic

Označuje, zda je Výrobce ledu Icematic zapnutý nebo vypnutý. ( ) Pokud svítí,

## Tlačítko pro Nastavení teploty

výrobník ledu Icematic není v provozu. Pro opětovné spuštění výrobníku ledu Icematic stiskněte a podržte tlačítko zapnuto-vypnuto po dobu 3 sekundy.




Pokud je tato funkce zvolena, průtok vody z vodní nádrže se zastaví. Nicméně, led který byl vyroben dříve, je možné z výrobníku ledu Icematic vybrat.



Indikátor ekonomického použití se vypne, když je zvolena funkce rychlého chlazení nebo rychlého zmrazování.

### 11. Tlačítko Rychlého mrazení / tlačítko Vypnutí-Zapnutí výrobníku ledu Icematic

Stiskněte toto tlačítko pro aktivaci nebo deaktivaci funkce rychlého zmrazení. Při aktivaci této funkce se mrazničky ochladí na teplotu nižší, než je nastavená hodnota. 

Pro zapnutí a vypnutí výrobníku ledu Icematic ho stiskněte a podržte po dobu 3 sekund.



Funkci rychlého mrazení použijte, když chcete rychle zmrazit potraviny umístěny v mrazničce. Chcete-li zmrazit velké množství čerstvých potravin, aktivujte tuto funkci před uložením potravin do produktu.




Pokud ji nezrušíte, rychlé mrazení se zruší automaticky po 4 hodinách nebo pokud teplota v mrazničce klesne na požadovanou teplotu.

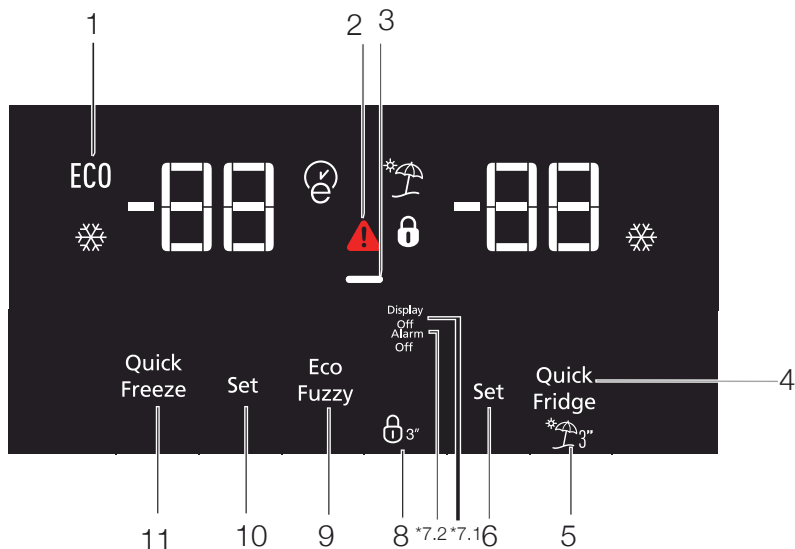


Když se obnoví dodávka energie po výpadku napájení, tato funkce se neobnoví.

### 12. Indikátor ekonomického využití

Označuje pokud produkt běží v režimu úspory energie.  Tento ukazatel bude aktivní, když je teplota mrazničky nastavena na -18 nebo je energeticky úsporné chlazení zapnuté prostřednictvím funkce Eco-Extra.

## Tlačítko pro Nastavení teploty



1. Ekonomické použití
2. Alarm Vysoká teplota/Závada
3. Funkce úspory energie (vypnutí displeje)
4. Rychlé chlazení
5. Funkce Dovolená
6. Nastavení teploty v prostoru chladničky
7. Úspora energie (vypnutí displeje)/ Vypnutí alarmu
8. Zámek tlačítek
9. Eco-fuzzy
10. Nastavení teploty v prostoru mrazničky
11. Rychlé mražení




**\*Volitelné:** Údaje uvedené v této uživatelské příručce jsou určeny jako koncepty a nemusí být v dokonalém souladu s Vaším výrobkem. Pokud váš výrobek neobsahuje příslušné části, tyto informace se vztahují na ostatní modely.

## Tlačítko pro Nastavení teploty

### 1. Ekonomické použití

Tato značka se rozsvítí je-li teplota v prostoru mrazničky nastavena na -18°C, nejúspěšnější nastavení. (ECO) Když je vybrána funkce rychlého chlazení nebo rychlého mrazení, kontrolka ekonomického použití zhasne.

### 2. Kontrolka Výpadek napájení/Vysoká teplota/Chyba

Tato kontrolka () se rozsvítí v případě selhání teploty nebo spuštění chybových alarmů.

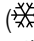
Tato kontrolka se rozsvítí během výpadku napájení, při selhání při vysokých teplotách a upozornění na chybu. Během setrvalých výpadků napájení se nejvyšší teplota, které mraznička dosáhne, rozbliká na digitálním displeji. Po kontrole potravin v mrazničce stisknete tlačítko vypnutí alarmu a upozornění vymažete.

### 3. Funkce úspory energie (vypnutí displeje)

Jsou-li dveře produktu ponechány zavřené dlouhou dobu, automaticky se aktivuje funkce úspory energie a rozsvítí se příslušný symbol. Když je funkce úspora energie aktivní, všechny ostatní symboly na displeji zhasnou. Když je aktivována funkce úspory energie, pokud stisknete jakékoli tlačítko nebo otevřete dvířka, režim úspory energie se ukončí a ikony na displeji se vrátí do normálu.


Funkce úspory energie se aktivuje během doručení z továrny a nelze ji zrušit.

### 4. Rychlé chlazení

Když se zapne funkce rychlého chlazení, rozsvítí se kontrolka rychlého chlazení () a na kontrolce teploty v prostoru mrazničky se zobrazí hodnota 1. Dalším stiskem tlačítka rychlého chlazení tuto funkci zrušíte. Ukazatel rychlého chlazení zhasne a vrátí se na normální nastavení. Funkce rychlého chlazení se automaticky zruší po uplynutí 1 hodiny, není-

li zrušena uživatelem. Při chlazení velkého množství čerstvých potravin stisknete tlačítko rychlého chlazení ještě než potraviny do chladničky vložíte.


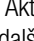
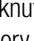
### 5. Funkce Dovolena

Pro aktivaci funkce Dovolena stisknete na 3 sekundy tlačítko rychlého chlazení; to aktivuje kontrolku režimu Dovolena (). Když se aktivuje funkce Dovolena, kontrolka teploty v prostoru chladničky zobrazí popis „--“ a v prostoru chlazení se neaktivuje žádný proces chlazení. Tato funkce není vhodná k uchovávaní potravin v prostoru chladničky. Ostatní prostory zůstanou vychlazené na odpovídající nastavenou teplotu. Chcete-li tuto funkci zrušit, znovu stisknete tlačítko této funkce.

### 6. Nastavení teploty v prostoru chladničky

Po stisknutí tlačítka lze teplotu v prostoru chladničky nastavit na 8,7,6,5,4,3,2 a 1.

#### 7. 1 Úspora energie (vypnutí displeje)

Stisknutí tohoto tlačítka () rozsvítí značku úspory energie () a aktivuje se funkce úspory energie. Aktivace funkce úspory energie vypne všechny další značky na displeji. Je-li aktivní funkce úspory energie, stisknutí libovolného tlačítka nebo otevření dveří funkci úspory energie deaktivuje a signály na displeji se vrátí do normálního nastavení. Opakované stisknutí tohoto tlačítka () rozsvítí značku úspory energie a funkce úspory energie se deaktivuje.

#### 7.2 Vypnutí alarmu

V případě upozornění na výpadek napájení, vysokou teplotu, po kontrole potravin v mrazničce stisknete tlačítko vypnutí alarmu a varování vymažete.

### 8. Zámek tlačítek

Současně stisknete tlačítko vypnutí displeje, po dobu 3 sekund. Rozsvítí se značka zámku tlačítek a zámek tlačítek se aktivuje; tlačítka budou neaktivní do deaktivace zámku tlačítek.

## Tlačítko pro Nastavení teploty

Tlačítko vypnutí displeje znovu stisknete po dobu 3 sekund. Značka zámku zhasne a režim zámku tlačítek bude deaktivovaný. Abyste předešli změně nastavení teploty chladničky, stiskněte tlačítko vypnutí displeje.

### 9. Eco-fuzzy

Chcete-li zapnout funkci Eco-fuzzy, na 1 sekundu stiskněte a přidržte tlačítko Eco-fuzzy. Je-li tato funkce aktivní, mraznička se přepne do úsporného režimu minimálně po 6 hodinách a rozsvítí se kontrolka ekonomického použití.

Chcete-li funkci Eco-fuzzy (E) deaktivovat, na 3 sekundy stiskněte a přidržte tlačítko funkce Eco-fuzzy.

Když je aktivovaná funkce Eco-fuzzy, kontrolka se rozsvítí po uplynutí 6 hodin.

### 10. Nastavení teploty v prostoru mrazničky

Teplota v prostoru mrazničky je nastavitelná. Stisknutí tlačítka aktivuje možnost nastavení teploty v prostoru mrazničky na -18, -19, -20, -21, -22, -23 a -24.

### 11. Rychlé mražení

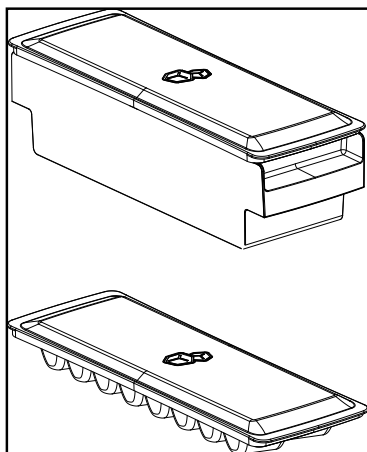
Rychlé mražení spustíte stisknutím tlačítka; potom se rozsvítí kontrolka rychlého mražení (XX).

Když se zapne funkce rychlého chlazení, rozsvítí se kontrolka rychlého mražení a na kontrolce teploty v prostoru mrazničky se zobrazí hodnota -27. Tuto funkci zrušíte opakovaným stisknutím tlačítka Rychlé mražení (XX). Ukazatel rychlého mražení zhasne a vrátí se na normální nastavení. Funkce rychlého mražení se automaticky zruší po uplynutí 24 hodin, není-li zrušena uživatelem. Při mražení velkého množství čerstvých potravin stiskněte tlačítko rychlého mražení ještě než potraviny do mrazničky vložíte.

### 5.10. Zásobník na led

(Volitelně)

- Vyberte ven nádobu na led z mrazáku.
- Naplňte nádobu na led vodou.
- Vložte nádobu na led do mrazničky.
- Led bude připraven asi po dvou hodinách. Vezměte nádobu na led z mrazáku a opatrně ji ohněte nad držákem, který budete podávat. Led snadno vypadne do servírovacího držáku.



### 5.11. Držák na vajíčka

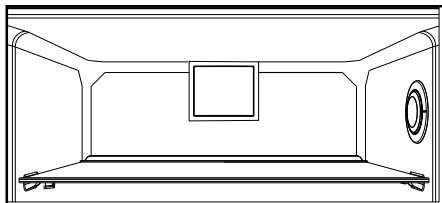
Držák na vajíčka můžete libovolně umístit na držák ve dveřích nebo v chladničce. Pokud jste se rozhodli dát ji na držák v lednici, doporučujeme, abyste použili níže police, nakolik jsou chladnější.



Nedávejte držák na vajíčka do mrazničky.

### 5.12. Ventilátor

Ventilátor byl navržen tak, aby zajistil cirkulaci chladného vzduchu uvnitř chladničky homogenní. Provozní doba ventilátoru se může lišit v závislosti na funkcích vašeho produktu.



### 5.13. Zásobník na zeleninu

(Volitelně)

Zásobník na zeleninu produktu je navržen tak, aby zelenina zůstala čerstvá při zachování své vlhkosti. Za tímto účelem je celková cirkulace chladného vzduchu v zásobníku na zeleninu intenzivnější.

### 5.14. Oddělení Nulového stupně

(Volitelně)

Use this compartment to keep delicatessen  
Použijte tento prostor pro udržení lahůdek nebo masných výrobků pro okamžitou spotřebu při nižších teplotách.

Oddělení Nulového stupně je nejlepší místo, kde mohou být uloženy v ideálních podmínkách skladování potraviny, jako jsou mléčné výrobky, maso, ryby a kuře. Neskladujte zeleninu a/nebo ovoce v tomto prostoru.



## Tlačítko pro Nastavení teploty

### 5.15. Pohyblivý stojan ve dveřích

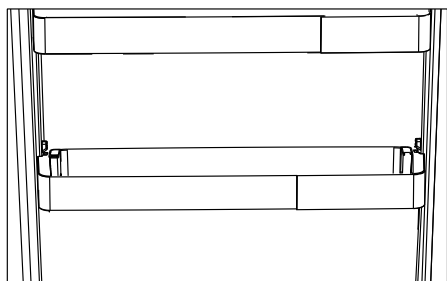
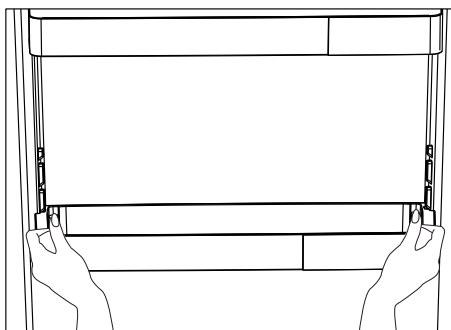
(Volitelně)

Pohyblivý stojan ve dveřích lze upevnit do 3 různých poloh.

Pro přesun stojanu, rovnoměrně stiskněte boční tlačítka. Se stojanem bude možné pohybovat.

Posuňte stojan směrem nahoru nebo dolů.

Když je stojan v požadované pozici, uvolněte tlačítka. Po uvolnění tlačítek bude stojan opět pevný na své pozici.

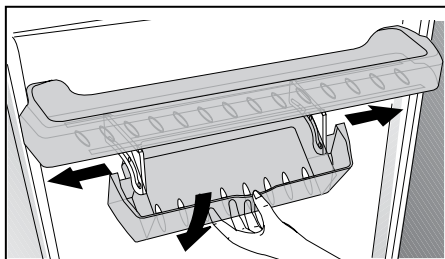


### 5.16. Posuvná odkládací schránka

(Volitelně)

Tento doplněk byl navržen pro zvýšení objemu využití dveřních stojanů.

Díky své schopnosti pohybování se do stran, vám umožní snadno umístit dlouhé lahve, sklenice nebo krabice, které jste vložili do poličky pro láhve níže.



## Tlačítko pro Nastavení teploty

### 5.17. Použití druhého prostoru pro zeleninu a ovoce;



**Obrázek 1.**

Jak je znázorněno na obrázku, u spotřebiče modelu K70560 druhý prostor pro zeleninu a ovoce je vybaven 2 zarážkami.



**Obrázek 2.**

Po uzavření druhý prostor pro zeleninu a ovoce vypadá, jak je znázorněno na obrázku 2.



**Obrázek 3.**

Otevřete dvířka do úhlu 90° a vytáhněte druhý prostor až po první zarážku, jak je znázorněno na obrázku 3.

V případě, že je zásuvka více otevřená, nejdřív zkuste otevřít dvířka do úhlu aspoň 135°.



Pak podle obrázku 4 nadzvedněte druhý prostor přibližně o 5 mm tak, aby se uvolnil z první zarážky.



**Obrázek 4.**

Po zvednutí vytáhněte druhý kontejner až po druhou zarážku, jak je znázorněno na obrázku 5.

**Obrázek 5.**

### 5.18. Pohlcovač pachů

**(FreshGuard)**

**(Volitelně)**

Deodorant rychle zápach ve vaší ledničce než stačí prostoupit na povrch. Díky tomuto deodorantu, který se umísťuje na vrchní část prostoru určený pro čerstvé potraviny, se zápach rozpustí a spolu se vzduch je aktivně přenesen do pachového filtru, poté je pročištěný vzduch opět vpuštěn zpět do prostoru pro čerstvé potraviny. Tímto způsobem jsou nechtěné pachy, které se mohou objevit v průběhu skladování potravin v ledničce, odstraněny dříve než prostoupí na povrch. Toho se dosáhne díky větráku, LED světla a zápachového filtru zabudovaného v deodorantu. V běžném provozu, se deodorant zapíná automaticky v pravidelných intervalech.

Chcete-li zachovat optimální výkon, je dobré si nechat zkontrolovat filtr v deodorantu autorizovaným poskytovatelem každých 5 let. Díky větráku zabudovaného v deodorantu je hluk, který uslyšíte během provozu, normální. Pokud otevřete dvířka prostoru pro čerstvé potraviny, když je deodorant zapnutý, větrák se automaticky přeruší a opět zapne jakmile dvířka zavřete. V případě přerušení dodávky proudu se deodorant opět automaticky zapne, v momentě kdy byl přerušen, jakmile je dodávka proudu obnovena.

**Informace:** Doporučuje se skladovat aromatické potraviny (jako sýry, olivy a další lahůdky) ve svých utěsněných obalech, aby se zabránilo zápachu, který může nastat zamícháním pachů různých potravin. Kromě toho, se také doporučuje rychle vyndat z ledničky zkažené potraviny, jejichž zápach může zkazit další potraviny a tím zamezit zápachu.

## Tlačítko pro Nastavení teploty

### 5.19. Zásobník na zeleninu s kontrolou vlhkosti

#### (Volitelně)

Pomocí funkce regulace vlhkosti je vlhkost zeleniny a ovoce pod kontrolou a zajistí se tím delší doba čerstvosti potravin.

Jak je to možné, doporučuje se skladovat listovou zeleninu, jako je hlávkový salát a špenát a podobné zeleniny, náchylné na ztrátu vlhkosti ne na svých kořenech, ale ve vodorovné poloze v zeleninovém koši.

Při umísťování zeleniny, uložte těžkou a tvrdou zeleninu na dno a lehkou a měkkou na vrchol, s přihlédnutím na specifické hmotnosti zeleniny.

Nenechávejte zeleninu na zásobníku v igelitových sáčcích. Ponechání v igelitových sáčcích způsobí, že zelenina shnije v krátké době. V situacích, kde kontakt s ostatní zeleninou není vhodný, použijte obalový materiál, jako je papír, který má určitou pórovitost v souladu s hygienou.

Nedávejte plody, které mají vysokou produkci plynu ethylenu, jako jsou hrušky, meruňky, broskve a zejména jablka do společného zeleninového zásobníku s jinou zeleninou a ovocem. Plyn etylen vycházející z těchto plodů může způsobit, že ostatní zelenina a ovoce budou zrát rychleji a začnou hnit v kratším časovém období.

### 5.20. Automatický výrobek ledu (Volitelně)

Automat led vám umožní snadno vytvořit led v chladničce. Za účelem získání led z výrobníku ledu, vyberte nádržku na vodu z chladicího prostoru, naplňte ji vodou a dejte ji zpět.

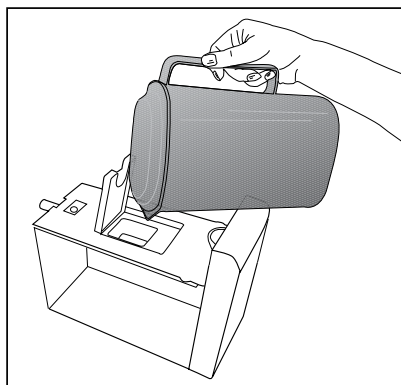
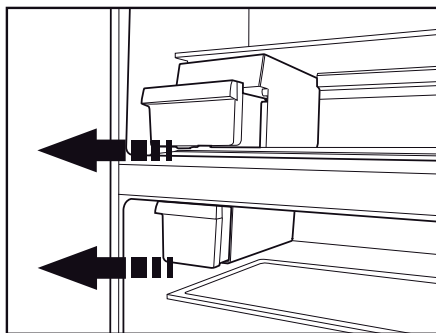
První led bude ve výrobníku ledu připraven asi za 2 hodiny v chladicím prostoru.

Po umístění plně vodní nádrže, dokud se zcela nevyprázdní, můžete získat asi 60-70 kostek ledu.

V případě, že voda v nádrži byla déle než 2-3 týdny, vyměňte ji.



U produktů s automatickým výrobníkem ledu, při výrobě ledu můžete slyšet zvuk. Tento zvuk je normální a není známkou poruchy.



## Tlačítko pro Nastavení teploty

### 5.21. Icematic a držák na skladování ledu

\*volitelné

#### Používání výrobku ledu Icematic

Naplňte výrobek ledu Icematic vodou a umístěte ho na jeho místo. Váš led bude připraven asi po dvou hodinách. Pro vyjmutí ledu neodstraňujte Icematic z jeho místa.

Otočte knoflík na ledovém zásobníku ve směru hodinových ručiček o 90 stupňů.

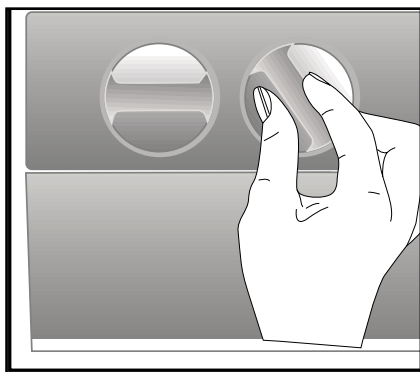
Ledové kostky v nádrži spadnou dolů do níže umístěného držáku ledu.

Následně můžete vybrat držák ledu a podávat ledové kostky.

Pokud chcete, ledové kostky můžete skladovat i v držáku na led.

#### Držák na skladování ledu

Držák na skladování ledu je určen pouze pro sbírání kostek ledu. Nedávejte do něj vodu. V opačném případě se zlomí.



### 5.22. Použití dávkovače vody

\*volitelné



Je normální, že prvních několik sklenic vody odebraných z dávkovače vody bude obvykle teplých.

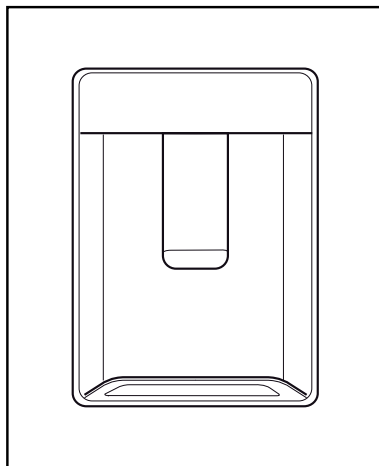


Pokud se dávkovač vody nepoužíval delší dobu, abyste získali čistou vodu, první sklenice vody vylijte.

1. Zatlačte sklenici o páku dávkovače vody. Pokud používáte měkký plastový kelímek, bude snazší páku stisknout rukou.
2. Po naplnění poháru po požadované úrovni, uvolněte páku.



Upozorňujeme, že z dávkovače vyteče tolik vody, jak daleko potlačíte páku. Když hladina vody ve Vaší šálku / sklenici stoupne, jemně snižte množství tlaku na páku, abyste zabránili přetečení. Pokud páku lehce stisknete, bude kapat voda; to je zcela normální a nejde o poruchu.



## Tlačítko pro Nastavení teploty

### 5.23. Plnění nádrže dávkovače na vodu

Plnicí nádrž Vodní nádrže je umístěna uvnitř stojanu dveří.

1. Otevřete kryt nádrže.
2. Naplňte nádrž čerstvou pitnou vodou.
3. Zavřete kryt.



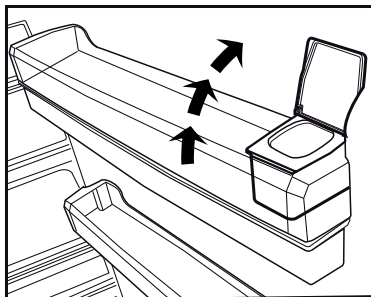
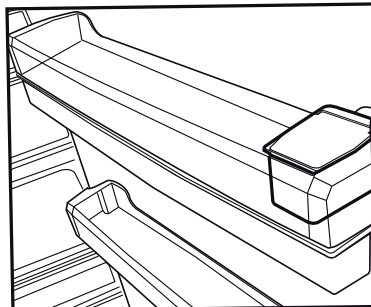
Neplňte nádrž na vodu s jinou kapalinou kromě vody, jako jsou například ovocné džusy, sycené nápoje a alkoholické nápoje, které nejsou vhodné pro použití v dávkovači vody. V případě použití těchto druhů kapalin se dávkovač vody nenapravitelně poškodí. Záruka se nevztahuje na takové použití. Některé chemické látky a přísady obsažené v těchto druhů nápojů / kapalin mohou poškodit nádržku na vodu.



Používejte pouze čistou pitnou vodu.



Kapacita nádrže na vodu je 3 litry; nepřepĺňujte ji.



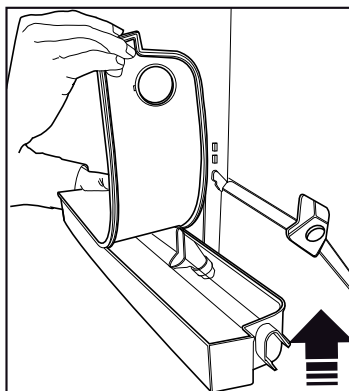
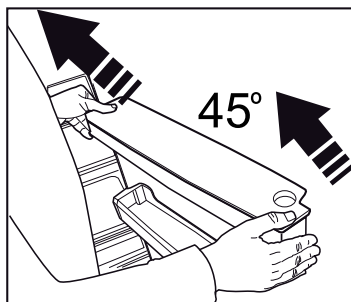
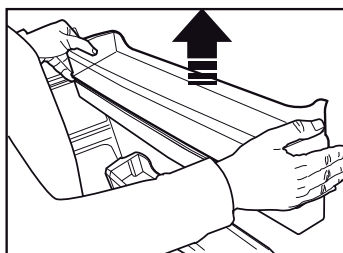
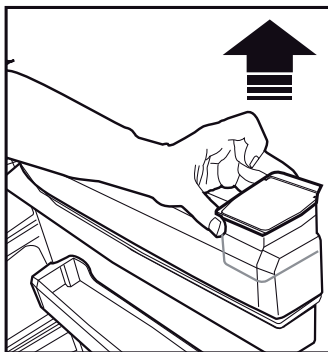
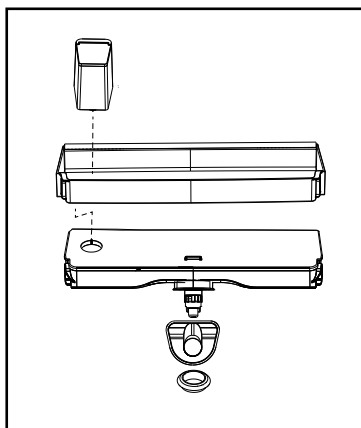
## Tlačítko pro Nastavení teploty

### 5.24. Čištění nádrže na vodu

1. Vyberte nádrž na vodu uvnitř rámu dveří.
2. Odstraňte rám dveří jejich přidržením z obou stran.
3. Chyťte nádržku na vodu z obou stran a odstraňte ji pod úhlem 45 ° C.
4. Odstraňte kryt zásobníku na vodu a vyčistěte nádrž.



Součástí nádrže na vodu a dávkovač vody nemyjte v myčce nádobí.



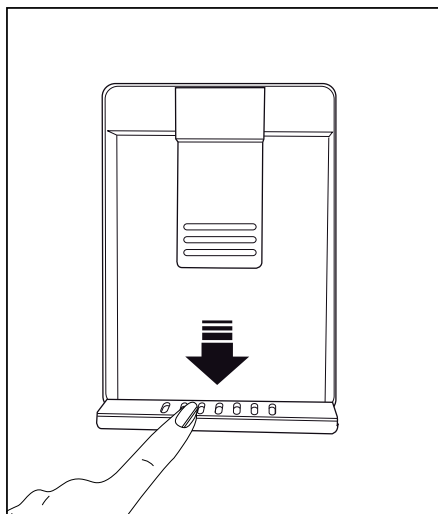
## Tlačítko pro Nastavení teploty

### 5.25. Odkapávací zásobník

Voda, která při použití dávkovače vody vykvapkala, se hromadí v odkapávacím zásobníku.

Odstraňte plastový filtr, jak je znázorněno na obrázku.

S čistým a suchým hadříkem odstraňte nahromaděnou vodu.



### HerbBox/HerbFresh

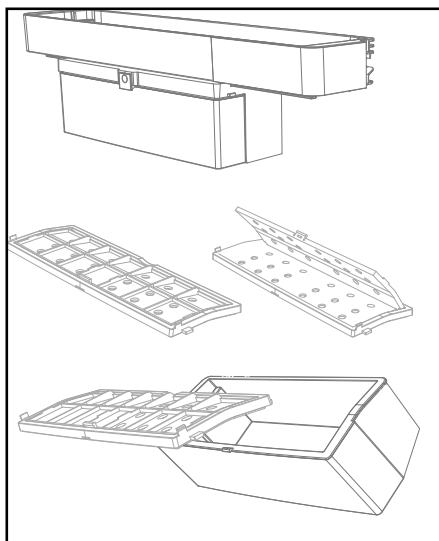
Vyberte filmový zásobník z HerbBox/HerbFresh +

Odstraňte film ze sáčku a vložte jej do filmového zásobníku, jak je znázorněno na obrázku.

Opět uzavřete zásobník a vložte jej zpět do jednotky HerbBox/HerbFresh +

Části HerbBox / HerbFresh + jsou obzvláště vhodné pro skladování různých bylin, které mají být uchovávány v citlivých podmínkách. Můžete ukládat své nezabalené bylinky (petržel, kopr, atd.) do této části horizontálně a udržet jejich čerstvost mnohem delší dobu.

Film se nahrazuje každých šest měsíců.





## Tlačítko pro Nastavení teploty

### 5.26. Zmrazování čerstvých potravin

- Pokud chcete zachovat kvalitu potravin, potraviny umístěné v mrazničce musí být zmrazené tak rychle, jak je to možné, z toho důvodu použijte funkci rychlého zmrazení.
- Zmrazení potravin v čerstvém stavu prodlouží dobu jejich skladování v mrazničce.
- Zabalte potraviny do vzduchotěsných balení a těsně jejich uzavřete.
- Ujistěte se, že potraviny jsou před vložením do mrazničky zabalené. Místo tradičního obalového papíru použijte krabice do mrazáku, staniol a papír odolný proti vlhkosti, igelitové sáčky nebo podobné obalové materiály.



Led se v mrazící části taje automaticky.

- Před zmrazením označte každé balení potravin napsáním data na jejich obal. To vám umožní určit čerstvost každého balení při každém otevření mrazničky. Udržujte dřívější položky potravin v přední části, abyste zajistili, že budou použity jako první.
- Zmrazené potraviny musí být použity ihned po rozmrazení a neměly by být znovu zmrazeny.
- Nezmrazujte velké množství potravin najednou.

### 5.27. Doporučení pro skladování zmrazených potravin

Chladicí prostor musí být nastaven na méně než -18 °C.

1. Umístěte potraviny do mrazničky co nejrychleji, aby nedošlo k jejich rozmrazení.
2. Před zmrazením zkontrolujte položku "Datum spotřeby" na obalu, abyste zjistili, že ještě nevypršela.
3. Ujistěte se, že balení potravin není poškozeno.

Nastavení teploty Mrazicího prostoru	Nastavení teploty Chladicího prostoru	Podrobnosti
-18°C	4°C	Toto je výchozí, doporučené nastavení.
-20,-22 nebo 24°C	4°C	Tyto nastavení se doporučují pro teploty nad 30 ° C.
Quick Freeze - Rychlé mrazení	4°C	Použijte, když chcete zmrazit vaše potraviny krátké době. Po ukončení procesu se produkt vrátí do své předchozí pozice.
-18 ° C nebo nižší	2°C	Použijte toto nastavení, pokud si myslíte, že chladicí prostor není dostatečně studený vzhledem k teplotě prostředí nebo časté otevírání dveří.

## Tlačítka pro Nastavení teploty

### 5.28. Podrobnosti o mrazničce

Podle norem IEC 62552, mraznička musí mít schopnost zmrazit 4,5 kg potravin na teplotu -18 °C nebo nižší do 24 hodin na každých 100 litrů objemu mrazicího prostoru.

Potraviny mohou být zachovány po delší dobu pouze při teplotě do teploty -18 °C.

Potraviny můžete udržovat čerstvé po dobu několika měsíců (v mrazničce na nebo pod teplotou -18 °C).

Potraviny které mají být zmrazeny nesmí přijít do kontaktu s již zmrazenými potravinami uvnitř mrazničky z důvodu zabránění jejich částečnému rozmrazení.

Zeleninu uvařte a vodu odfiltrujte pro prodloužení doby zmrazeného skladování. Po filtraci dejte jídlo do vzduchotěsných balení a umístěte jej v mrazničce. Banány, rajčata, hlávkový salát, celer, vařené vejce, brambory a podobné potraviny nezmrazujte. V opačném případě tyto potraviny shnijí a budou ovlivněny jejich nutriční hodnoty a kvalita jídla. To, že hniloba ohrožuje i lidské zdraví, není sporné.

### 5.29. Umístění jídla

Police v mrazicí části	Různý mražené zboží jako jsou maso, ryby, zmrzlina, zelenina apod.
Police v chladicí části	Potraviny v hrnci, talíře a krabice s víčky, vejce (v krabicích s víčkem)
Police v dveřích chladicí části	Malé a balené potraviny nebo nápoje
Zásobník na zeleninu	Ovoce a zelenina
Část pro čerstvé potraviny	Lahůdky (potraviny pro snídani, masné výrobky, které mají být konzumovány v krátké době)

### 5.30. Upozornění na otevřené dveře

#### (Volitelně)

Pokud dveře výrobku zůstanou otevřené, po dobu alespoň 1 minuty, zazní akustické upozornění. Akustický upozornění ztichne, když jsou dveře zavřené nebo po stisknutí libovolného tlačítka na displeji (pokud je k dispozici).

Upozornění na otevřené dveře je indikováno uživateli tak akusticky, tak vizuálně. Pokud alarm pokračuje po dobu 10 min, osvětlení interiéru vypne.

### 5.31. Změna směru otevírání dveří

Směr otevírání dveří vaší chladničky můžete změnit v závislosti na jejím místě použití.

Když tak potřebujete udělat, obraťte se na nejbližší Autorizovaný servis.

Výše uvedené vysvětlení je obecné prohlášení. O možnosti změny směru otevírání dveří zkontrolujte štítek s upozorněním umístěný uvnitř obalu.

### 5.32. Vnitřní osvětlení

Ve vnitřním osvětlení se používá LED lampa.

V případě jakýchkoliv problémů s touto lampou se obraťte na autorizovaný servis.

Lampa/y, použité v tomto zařízení není možné použít pro osvětlení domu. Účel použití tohoto světla je pomoci uživateli umístit potraviny do chladničky / mrazničky bezpečně a pohodlně.

Při pravidelném čištění se zvýší životnost výrobku.



**VAROVÁNÍ:** Před čištěním chladničky produkt nejprve odpojte z elektrické sítě.

- K čištění nikdy nepoužívejte ostré nebo brusné nástroje, mýdlo, domácí čistidla, detergenty a voskové čistidlo.
- Rozpusťte jednu lžičku karbonátu v půl litru vody. Namočte hadřík do roztoku a důkladně ji vyždímejte. Otrěte vnitřek spotřebiče s touto látkou a vysušte ho.
- Ujistěte se, aby se o tělesa osvětlení a jiných elektrických předmětů nedostala žádná voda.
- Očistěte dveře pomocí vlhkého hadříku. Chcete-li odstranit police ve dveřích a hlavní police, odstraňte veškerý jejich obsah. Vyberte police dveří jejich posunutím směrem nahoru. Po očištění, k uložení je vložte směrem shora dolů.
- Pro čištění vnějších povrchů a pochromovaných součástí výrobku nikdy nepoužívejte čistící prostředky ani vodu s obsahem chloru. Chlor způsobuje korozi kovových povrchů.
- Pro zabránění odstranění a deformaci nápisů na plastových dílech, nepoužívejte žádné ostré, brusné nástroje, mýdlo, čistící prostředky pro domácnost, čistící prostředky, petrolej, topný olej, laky atd. K čištění použijte vlažnou vodu a měkký hadřík a otřete je do sucha.

### 6.1. Zabránění vzniku nepříjemných pachů

Při výrobě našich zařízení se nepoužívají materiály, které mohou způsobit zápach. Nicméně, nevhodné podmínky pro zachování potravin a zanedbání čištění vnitřního povrchu zařízení v potřebné míře může způsobit problém zápachu.

Proto ledničku čistěte karbonáty rozpuštěným ve vodě každých 15 dní.

- Potraviny uchovávejte v uzavřených nádobách. Mikroorganismy šířící se z nekrýtkých nádob mohou způsobit nepříjemné pachy.
- Nikdy neskladujte jídlo, kterým vypršela trvanlivosti a jsou rozlitá v chladničce.

### 6.2. Ochrana plastových povrchů

Okamžitě očistěte s teplou vodou, protože olej nanesený na plastové povrchy může způsobit poškození povrchu.

### 6.3. Dveřní skla

Ze skel odstraňte ochrannou fólii.

Na povrchu skla se nachází povlak. Tento povlak minimalizuje vznik skvrn a pomáhá snadno odstranit případné nečistoty a skvrny. Skla, které nejsou chráněny takovým povlakem mohou být vystaveny trvalým organickým nebo anorganickým nečistotám na bázi vzduchu nebo vody, jako jsou vodní kámen, minerální soli, nespálené uhlovodíky, oxidy kovů a silikony, které snadno a rychle způsobují skvrny nebo materiální škody. Udržování skla v čistém stavu se stává příliš těžkým, navzdory pravidelnému čištění. V důsledku toho, vzhled a transparentnost skla se zhoršuje. Drsné a žíravé metody čištění a sloučeniny zintenzivňují tyto vady a urychlují proces zhoršování se.

Pro běžné čistící účely použijte čistící prostředky na vodní bázi, které nejsou zásadité a korozivní.

K čištění použijte nealkoholické a nekorozivní materiály, abyste zachovali povlak po dlouhou dobu.

Skla jsou temperované pro zvýšení jejich odolnosti proti nárazům a lámání.

Na jejich zadní ploše byla také aplikována bezpečnostní fólie, jako další bezpečnostní opatření pro zabránění poškození jejich okolí v případě jejich rozbití.

\* Alkálie je báze, která při rozpuštění ve vodě tvoří hydroxidové ionty (OH).

Kovy Li (lithium), Na (sodík), K (draslík) Rb (rubidium), Cs (cesium), a umělý a radioaktivní Fr (Francium) se nazývají alkalické kovy.

## 7 Řešení problémů

Než se obrátíte na servis, viz následující seznam. Může Vám to ušetřit čas i peníze. Tento seznam obsahuje časté stížnosti, které nejsou spojeny s chybným zpracováním nebo poškozením materiálu. Některé funkce uvedené v tomto dokumentu se nemusí vztahovat na váš produkt.

### **Chladnička nefunguje.**

Zástrčka není úplně nasazena. >>> Zapojte ji úplně do zásuvky.

Pojistka připojená do zásuvky která napájí produkt nebo hlavní pojistka je spálená. >>> Zkontrolujte pojistky.

### **Kondenzace na boční stěně chladicího prostoru (MULTI ZÓNA, CHLADÍCÍ, KONTROLNÍ a FLEXI ZÓNA).**

- Dveře se otevírají příliš často >>> Dbejte na to, abyste dveře výrobku neotvírali příliš často.
- Prostředí je příliš vlhké. >>> Neinstalujte výrobek ve vlhkém prostředí.
- Potraviny obsahující tekutiny jsou uchovávány v neuzavřených nádobách. >>> Uchovávejte potraviny, které obsahují tekutiny v uzavřených nádobách.
- Dveře výrobku byly ponechány otevřené. >>> Nenechávejte dveře chladničky otevřené po delší dobu.
- Termostat je nastaven na příliš nízkou teplotu. >>> Nastavte termostat na vhodnou teplotu.

### **Kompresor nepracuje.**

- V případě náhlého výpadku proudu nebo vytažení napájecího kabelu a po jeho opětovném připojení tlak plynu v chladicím systému výrobku není vyvážený, což spustí tepelný jistič kompresoru. Produkt se restartuje po přibližně 6 minutách. Když se výrobek po uplynutí této doby restartován, obraťte se na servis.
- Je aktivní rozmrazování. >>> To je normální pro chladničku s plně automatickým rozmrazováním. Odmrazování se provádí pravidelně.
- Produkt není zapojen do elektrické sítě >>> Ujistěte se, že napájecí kabel je zapojen.
- Nastavení teploty je nesprávné. >>> Zvolte odpovídající nastavení teploty.
- Není proud. >>> Produkt bude nadále fungovat normálně po obnovení napájení.

### **Provozní hluk chladničky se při používání zvyšuje.**

- Provozní výsledky tohoto výrobku se mohou lišit v závislosti na změnách teploty okolního prostředí. To je normální a nejedná se o závadu.

### **Chladnička běží příliš často nebo příliš dlouho.**

## Řešení problémů

- Nový výrobek může být větší než ten předchozí. Větší výrobky budou pracovat po delší dobu.
- Teplota v místnosti může být vysoká. > > > Výrobek bude v místnosti s vyšší teplotou spuštěn po delší dobu.
- Výrobek mohl být zapojen nedávno nebo v něm byly umístěny nové položky potravin. > > > Výrobek dosáhne nastavenou teplotu déle, když byl jen právě zapojen nebo do něj byly umístěny nové potraviny. To je normální.
- Do výrobku bylo v poslední době umístěno velké množství teplého jídla. > > > Nepokládejte horké jídlo do výrobku.
- Dveře byly často otevřené nebo zůstaly otevřené po delší dobu. > > > Teplý vzduch pohybující se uvnitř způsobí, že výrobek bude v provozu déle. Neotvírejte dveře chladničky příliš často.
- Dveře mrazničky nebo chladničky mohli zůstat pootevřené. > > > Zkontrolujte, zda jsou dveře úplně zavřené.
- Výrobek může být nastaven na příliš nízkou teplotu. > > > Nastavte teplotu na vyšší stupeň a počkejte, až výrobek dosáhne nastavenou teplotu.
- Podložky dveří chladničky nebo mrazničky mohou být špinavé, opotřebované, rozbité nebo nesprávně nasazené. > > > Vyčistěte nebo vyměňte podložky. Poškozené / roztrhané podložky dveří způsobí, že výrobek bude běžet delší dobu pro zachování aktuální teploty.

### **Teplota mražení je velmi nízká, ale teplota chladiče je dostačující.**

- Teplota prostoru mrazničky je nastavena na velmi nízký stupeň. > > > Nastavte teplotu v mrazničce na vyšší stupeň a znovu zkontrolujte.

### **Teplota chlazení je velmi nízká, ale teplota mrazničky je dostačující.**

- Teplota prostoru chladničky je nastavena na velmi nízký stupeň. > > > Nastavte teplotu v chladničce na vyšší stupeň a znovu zkontrolujte.

### **Potraviny uchovávané v chladnějším zásuvek prostor jsou zmrazeny.**

- Teplota prostoru chladničky je nastavena na velmi nízký stupeň. > > > Nastavte teplotu v mrazničce na vyšší stupeň a znovu zkontrolujte.

# Řešení problémů

## Teplota v chladničce nebo v mrazničce je příliš vysoká.

- Teplota prostoru chladničky je nastavena na velmi vysoký stupeň. > > > Nastavení teploty chladicí části ovlivňuje teplotu v mrazničce. Změňte teplotu v chladicí nebo mrazicí části a počkejte, dokud příslušné přihrádky dosáhnou nastavenou úroveň teploty.
- Dveře byly často otevřené nebo zůstaly otevřené po delší dobu. > > > Neotvírejte dveře chladničky příliš často.
- Dveře mohou být pootevřena. > > > Úplně zavřete dveře.
- Produkt mohl být zapojen nedávno nebo v něm byly umístěny nové položky potravin. > > > To je normální. Výrobek dosáhne nastavenou teplotu déle, když byl jen právě zapojen nebo do něj byly umístěny nové potraviny.
- Do výrobku bylo v poslední době umístěno velké množství teplého jídla. > > > Nepokládejte horké jídlo do výrobku.

## Třese se nebo vydává hluk.

- Podlaha není ve vodováze nebo není odolná. > > > Pokud se výrobek třese, když se pomalu pohybuje, nastavte stojany na vyrovnaní výrobku. > > > Ujistěte se také, že podlaha je dostatečně odolná k tomu, aby unesla produkt.
- Všechny položky umístěné na výrobku můžou způsobit hluk. > > > Odstraňte všechny položky umístěné na výrobku.

## Výrobek vytváří hluk tekoucí, stříkající kapalinou apod.

- Princip fungování tohoto výrobku je založen na toku kapalin a plynu. > > > To je normální a nejedná se o závadu.

## Z výrobku zní zvuk jako vanoucí vítr.

- Výrobek pro proces chlazení používá ventilátor. To je normální a nejedná se o závadu.

## Na vnitřních stěnách výrobku se vytvořil kondenzát.

- Horké nebo vlhké počasí zvýší námrazu a kondenzaci. To je normální a nejedná se o závadu.
- Dveře byly často otevřené nebo zůstaly otevřené po delší dobu. > > > Neotvírejte dveře příliš často, pokud zůstaly otevřeny, zavřete je.
- Dveře mohou být pootevřena. > > > Úplně zavřete dveře.

## Vytváří se kondenzát na vnější straně výrobku nebo mezi dveřmi.

- Okolní prostředí může být vlhké, je to naprosto normální ve vlhkém počasí. > > > Kondenzace se rozptýlí, když se sníží vlhkost.

## Interiér zapáchá.

- Produkt není pravidelně čištěn. > > > Pravidelně čistěte vnitřek pomocí houbičky, teplé vody a sycené vody.
- Některé balení a obalové materiály může způsobit zápach. > > > Používejte balení a obalové materiály bez zápachu.
- Potraviny byly umístěny v neuzavřených baleních. > > > Uchovávejte potraviny v uzavřených obalech. Mikroorganismy se mohou z neuzavřených potravin rozšířit a způsobit zápach.
- Z výrobku odstraňte všechny potraviny se zašlým datem spotřeby a zkažené potraviny.

# Řešení problémů

## Dveře se nezavírají.

- Balíčky s potravinami mohou blokovat dveře. >>> Přemístěte předměty blokující dveře.
- Produkt nestojí ve zcela svislé poloze na zemi. >>> Nastavte stojany pro uvedení výrobku do svislé polohy.
- Podlaha není ve vodováze nebo není odolná. >>> Ujistěte se, že podlaha je vyvážená a dostatečně odolná k tomu, aby unesla produkt.

## Zásobník na zeleninu se zasekl.

- Potraviny mohou být v kontaktu s horní částí zásobníku. >>> Reorganizujte potraviny v šuplíku.

## Pokud Je Povrch Produktu Horký

- Když je zařízení v provozu, lze pozorovat vysoké teploty mezi dvěma dvířky, na postranních panelech a na zadním grilu. To je běžné a není to důvod pro servisní údržbu!. Při kontaktu s těmito plochami buďte opatrní.



**UPOZORNĚNÍ:** Pokud problém přetrvává i po provedení pokynů v této části, obraťte se na svého prodejce nebo na autorizovaný servis. Nepokoušejte se opravit produkt.